



US00D556546S

(12) **United States Design Patent** (10) **Patent No.:** **US D556,546 S**
Swanson et al. (45) **Date of Patent:** **** Dec. 4, 2007**

(54) **REGULATOR BRACKET**

(75) Inventors: **Craig A. Swanson**, Canyon Lake, TX (US); **Phillip Frazier**, Helotes, TX (US); **Francis Santos**, San Antonio, TX (US)

(73) Assignee: **Taprite-Fassco Manufacturing, Inc.**, San Antonio, TX (US)

(**) Term: **14 Years**

(21) Appl. No.: **29/256,121**

(22) Filed: **Mar. 16, 2006**

(51) **LOC (8) Cl.** **08-05**

(52) **U.S. Cl.** **D8/354**

(58) **Field of Classification Search** D8/354,
D8/357, 349, 380; 248/674

See application file for complete search history.

(56) **References Cited**

U.S. PATENT DOCUMENTS

D218,834 S *	9/1970	Smith et al.	D8/380
3,879,068 A	4/1975	Stampfli	
3,888,353 A	6/1975	Leifheit	
4,247,133 A	1/1981	Moller	
4,441,684 A	4/1984	Credle, Jr.	
D298,604 S *	11/1988	Newton	D8/380
D357,923 S	5/1995	Peterson et al.	
5,492,455 A	2/1996	Durham et al.	
5,624,167 A	4/1997	Katz	
D388,439 S	12/1997	Cantley et al.	
6,050,662 A	4/2000	Filipek et al.	
6,123,208 A	9/2000	Haenszel	
6,161,708 A	12/2000	Myler	
6,241,106 B1	6/2001	Fujita et al.	
6,267,268 B1	7/2001	Quartarone et al.	
D446,968 S	8/2001	Spencer	

6,435,357 B1	8/2002	Lee
6,834,768 B2	12/2004	Jersey et al.
2002/0117462 A1	8/2002	Hung
2004/0245200 A1	12/2004	Jersey et al.

FOREIGN PATENT DOCUMENTS

WO WO 87/07236 3/1987

OTHER PUBLICATIONS

Taprite-Fassco, Bag-in-Box Rack Catalog Sheets (Jan. 1998) (4 pages).
U.S. Appl. No. 11/211,859; Title: Modular Rack; filed Aug. 25, 2005; Inventor: Craig Swanson.

* cited by examiner

Primary Examiner—Holly H. Baynham

(74) *Attorney, Agent, or Firm*—Greenberg Traurig, LLP

(57) **CLAIM**

The ornamental design for a regulator bracket, as shown and described.

DESCRIPTION

FIG. 1 is a perspective view of a regulator bracket showing our new design;

FIG. 2 is a front view thereof;

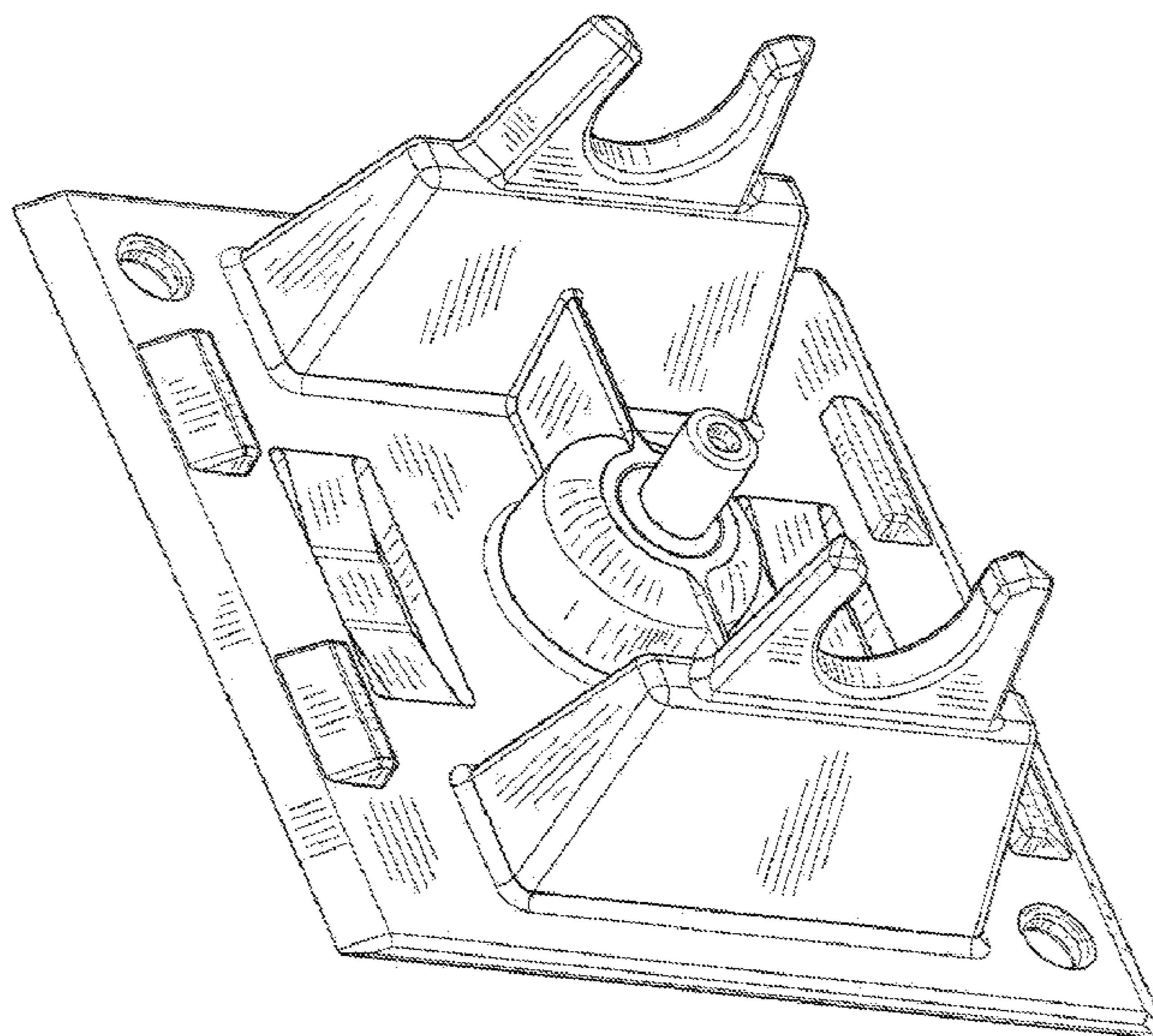
FIG. 3 is a rear view thereof;

FIG. 4 is a left side view of the regulator bracket, a right side view being identical thereto;

FIG. 5 is a top view of the regulator bracket, a bottom view being identical thereto; and,

FIG. 6 is a perspective view of the regulator bracket, a regulator being shown in phantom as environmental structure only and therefore forming no part of our claimed design.

1 Claim, 5 Drawing Sheets



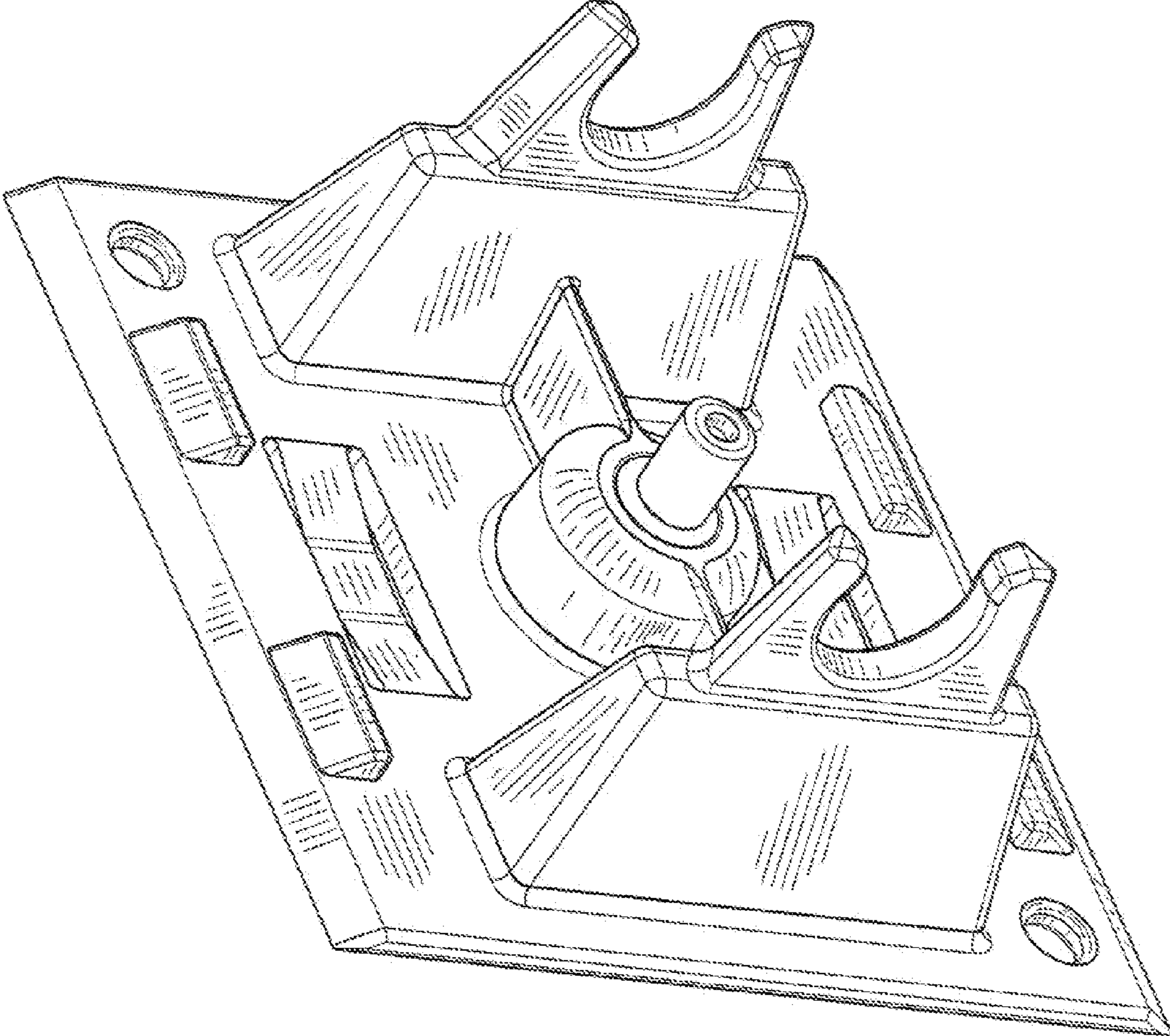


FIG. 1

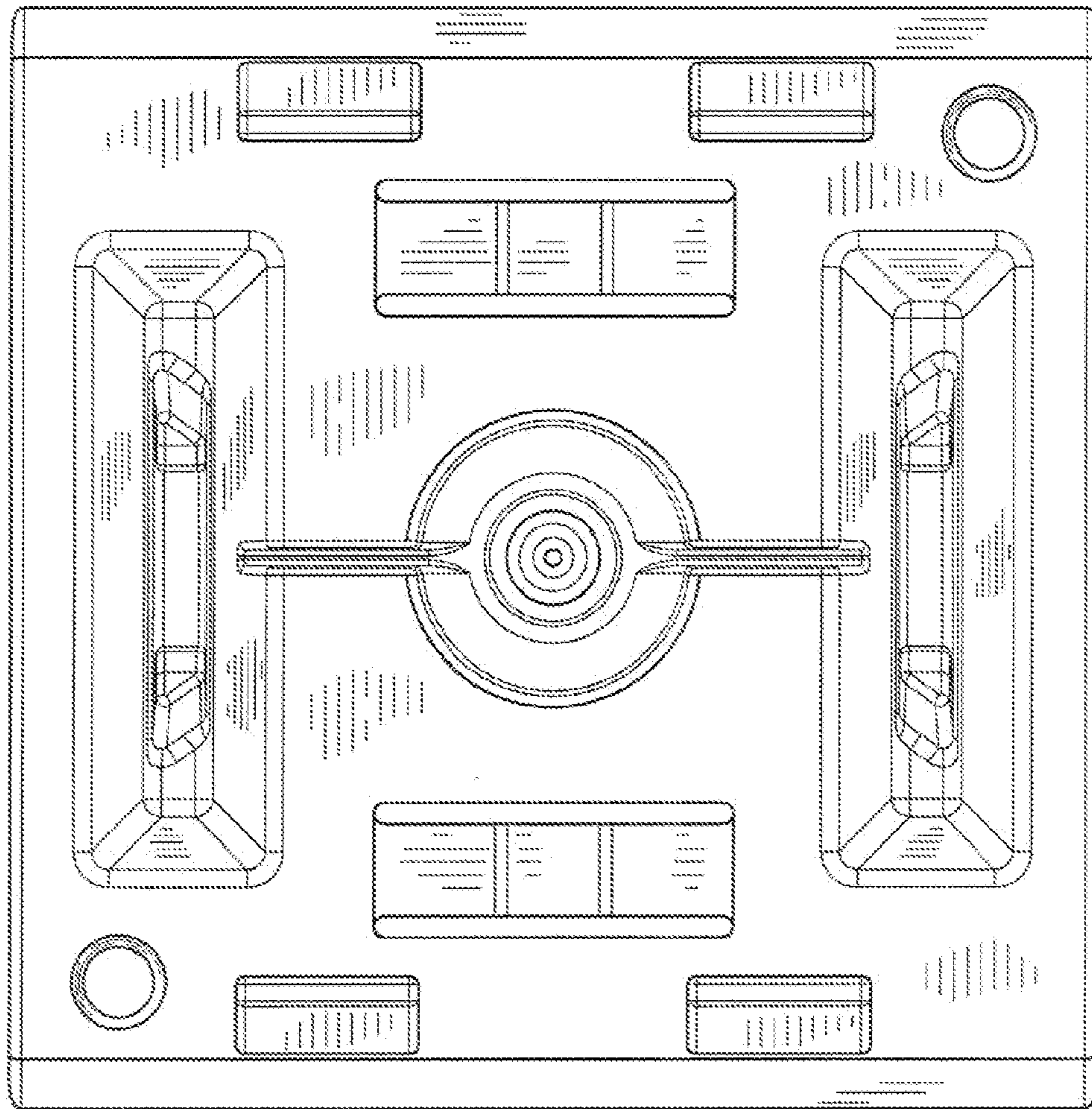


FIG. 2

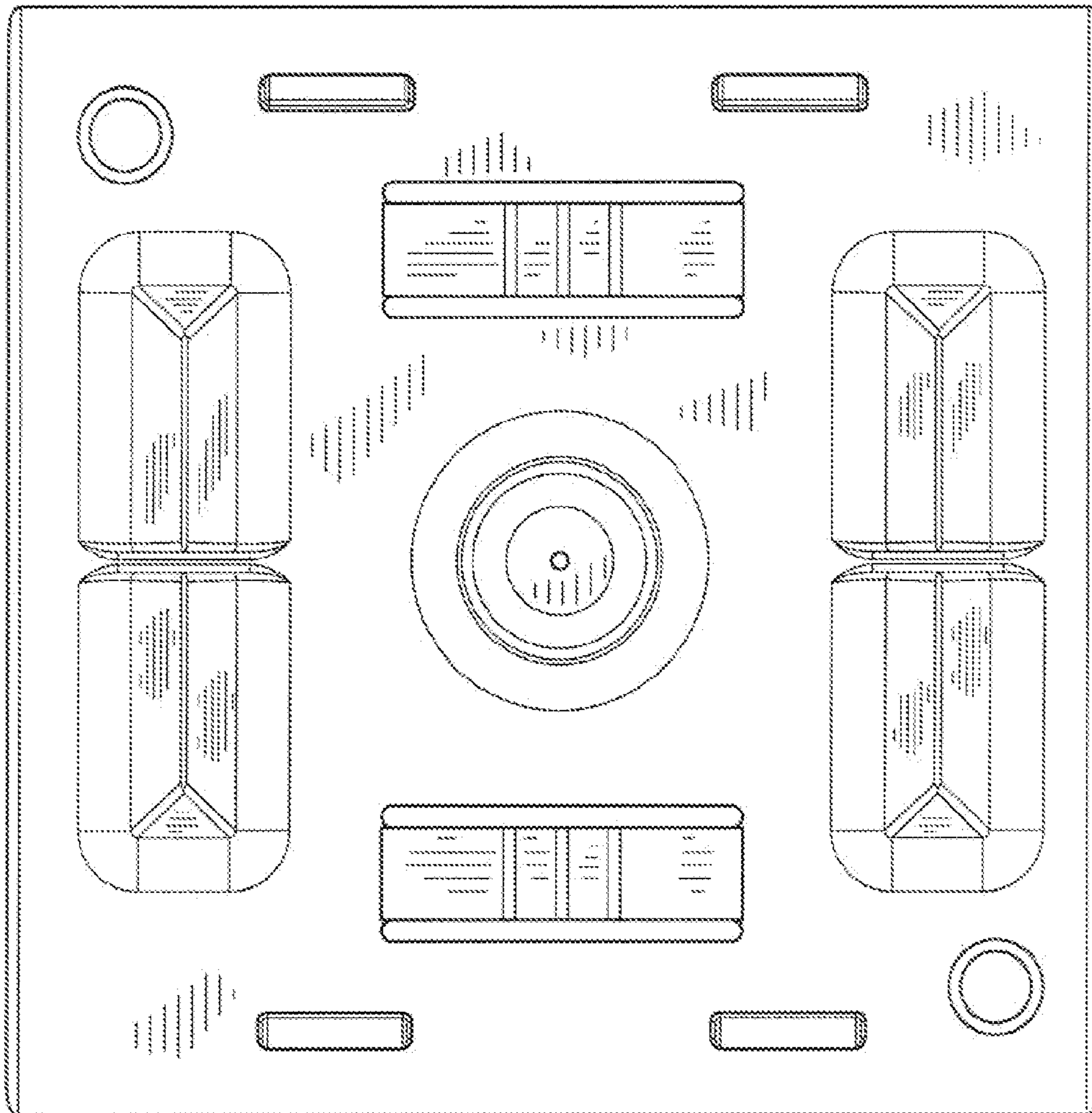


FIG. 3

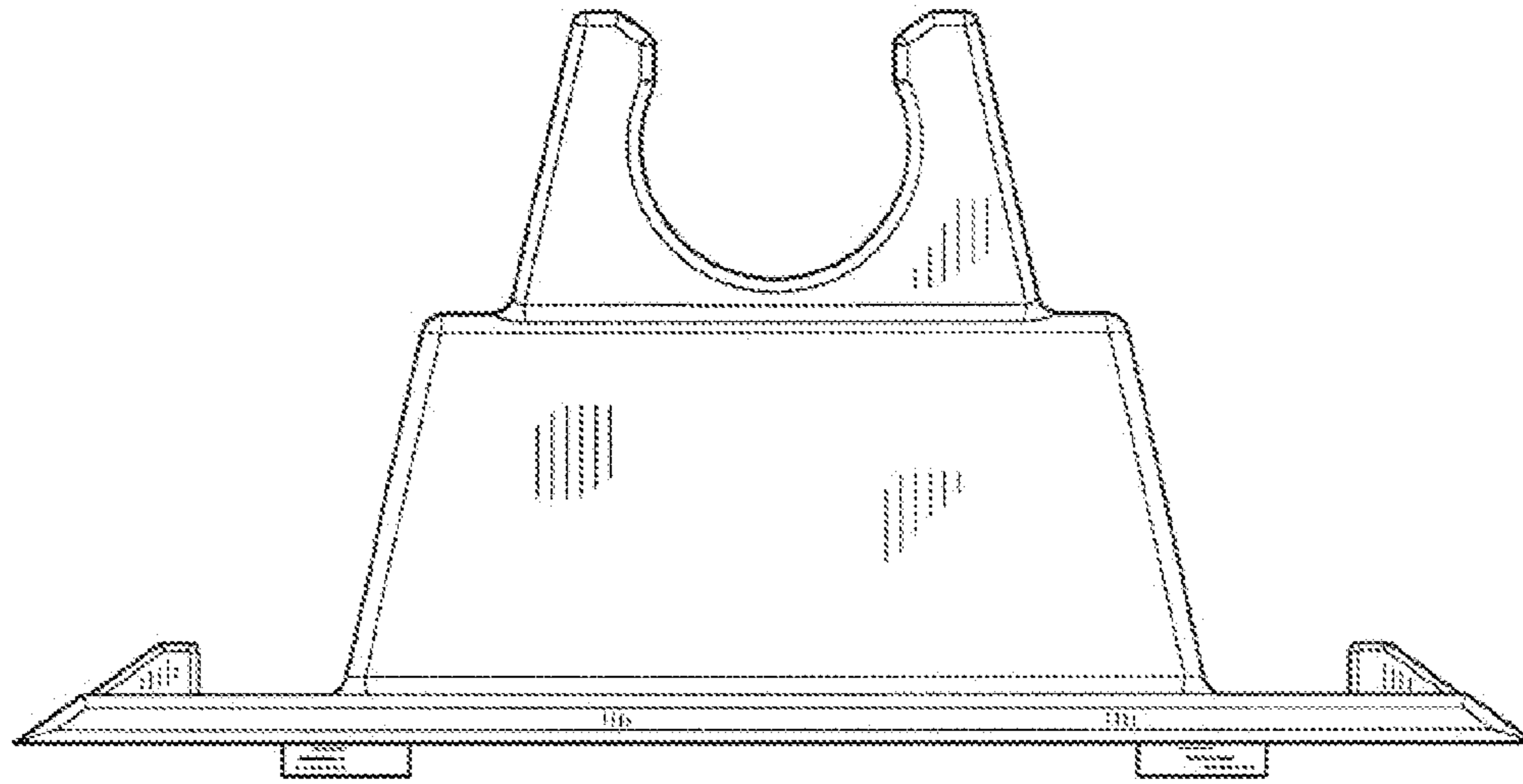


FIG. 4

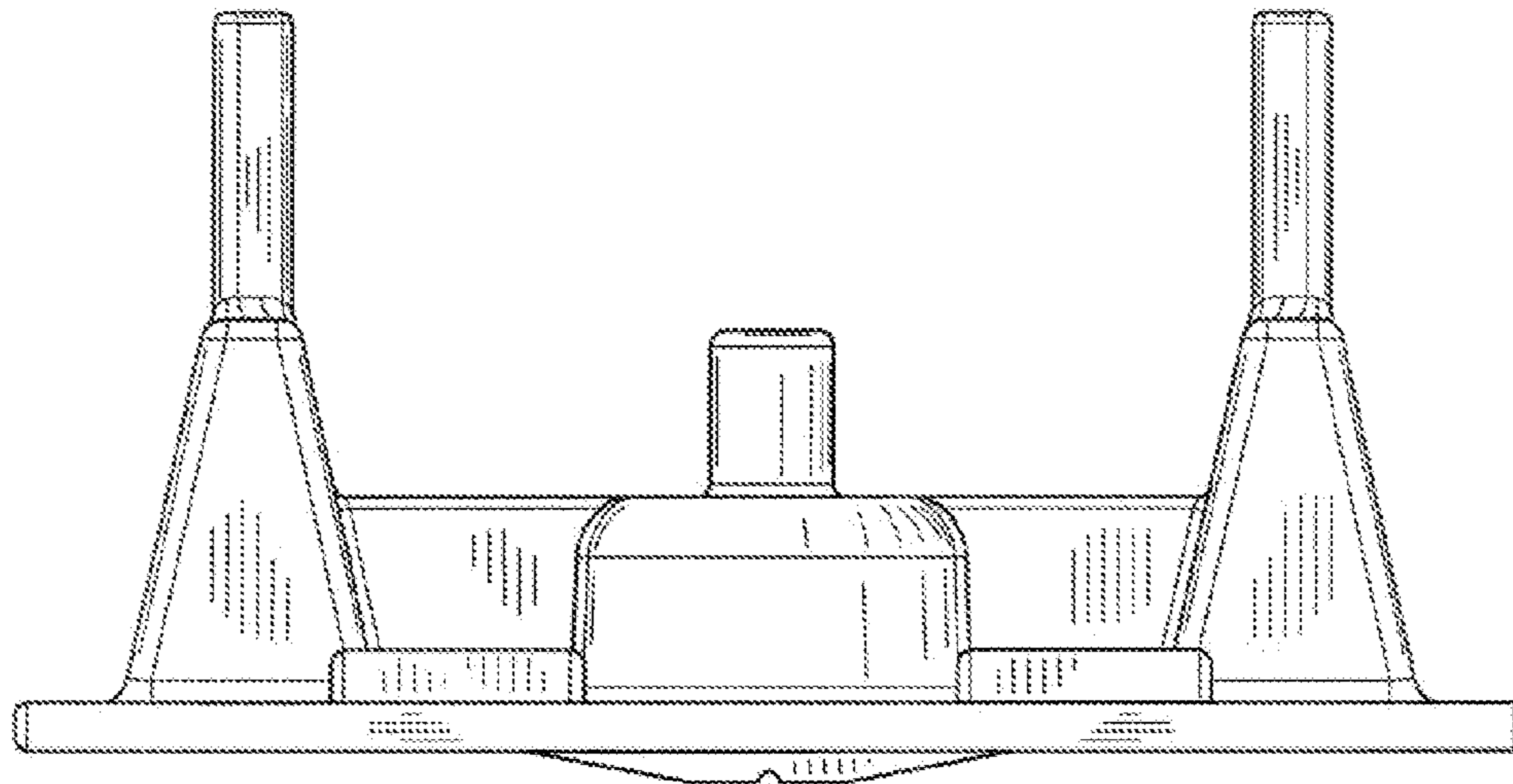


FIG. 5

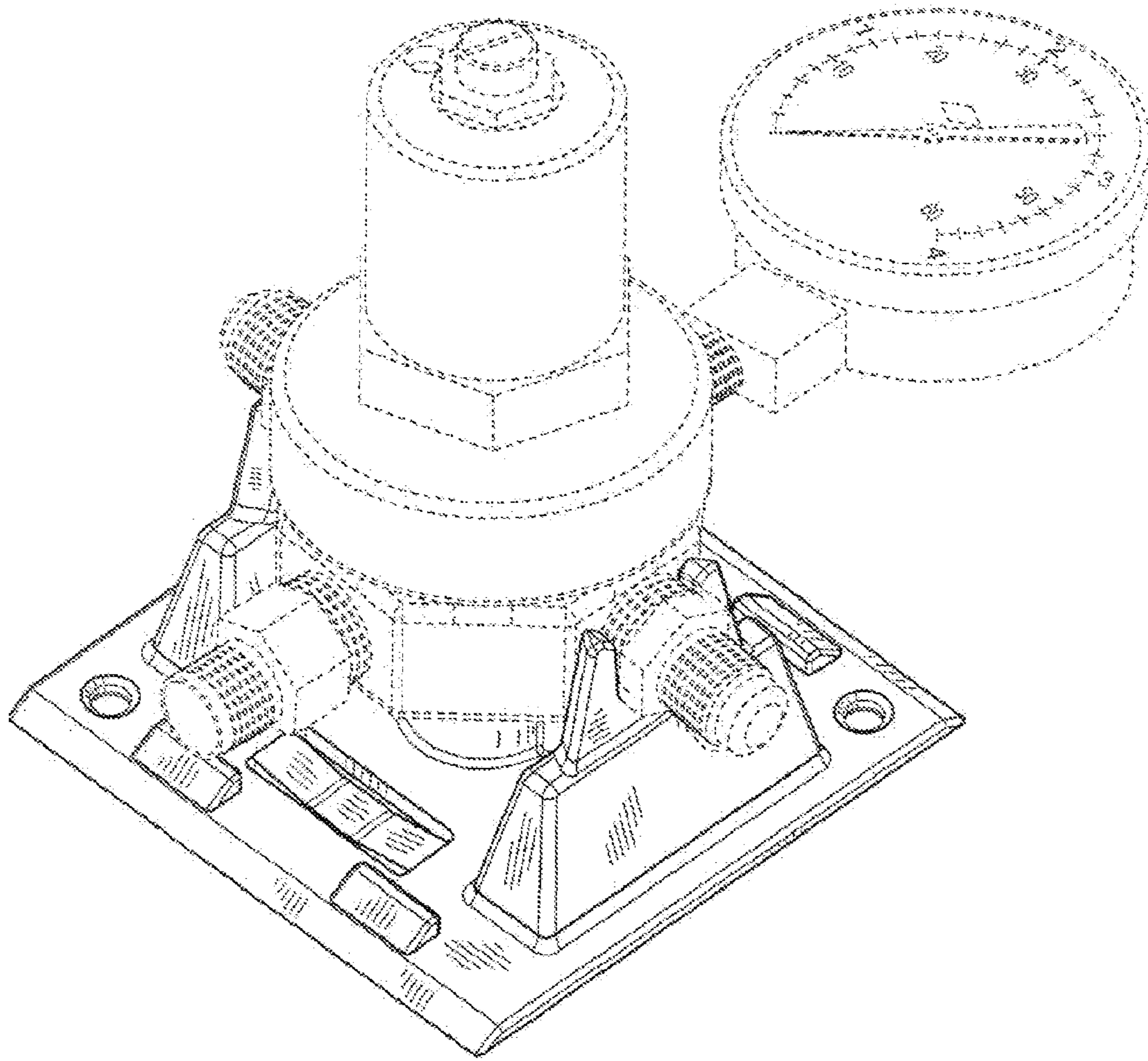


FIG. 6