



US00D556542S

(12) **United States Design Patent**
Wainwright

(10) **Patent No.:** **US D556,542 S**

(45) **Date of Patent:** **** Dec. 4, 2007**

(54) **KEY BOW**

(75) Inventor: **James Wainwright**, Bonne Terre, MO
(US)

(73) Assignee: **C. Hager & Sons Hinge Company**, St.
Louis, MO (US)

(**) Term: **14 Years**

(21) Appl. No.: **29/264,082**

(22) Filed: **Aug. 3, 2006**

(51) **LOC (8) Cl.** **08-07**

(52) **U.S. Cl.** **D8/347**

(58) **Field of Classification Search** D8/330-348;
70/393, 402-408, 460

See application file for complete search history.

(56) **References Cited**

U.S. PATENT DOCUMENTS

618,870 A	1/1956	Schlage	
D232,806 S *	9/1974	Schlage	D8/347
621,217 A	1/1993	Schlage	
1,744,260 A	1/1993	Schlage	
D357,852 S *	5/1995	Shen	D8/347

D405,679 S *	2/1999	Almblad	D8/347
D426,452 S *	6/2000	McElroy et al.	D8/347
D428,324 S *	7/2000	McElroy et al.	D8/347
D439,134 S *	3/2001	Almblad	D8/347
2,437,738 A1	3/2001	Schlage	
D507,958 S *	8/2005	Freeman et al.	D8/347

* cited by examiner

Primary Examiner—Mitchell Siegel

(74) *Attorney, Agent, or Firm*—Polster, Lieder, Woodruff &
Lucchesi, LC

(57) **CLAIM**

The ornamental design for key bow, as shown and described.

DESCRIPTION

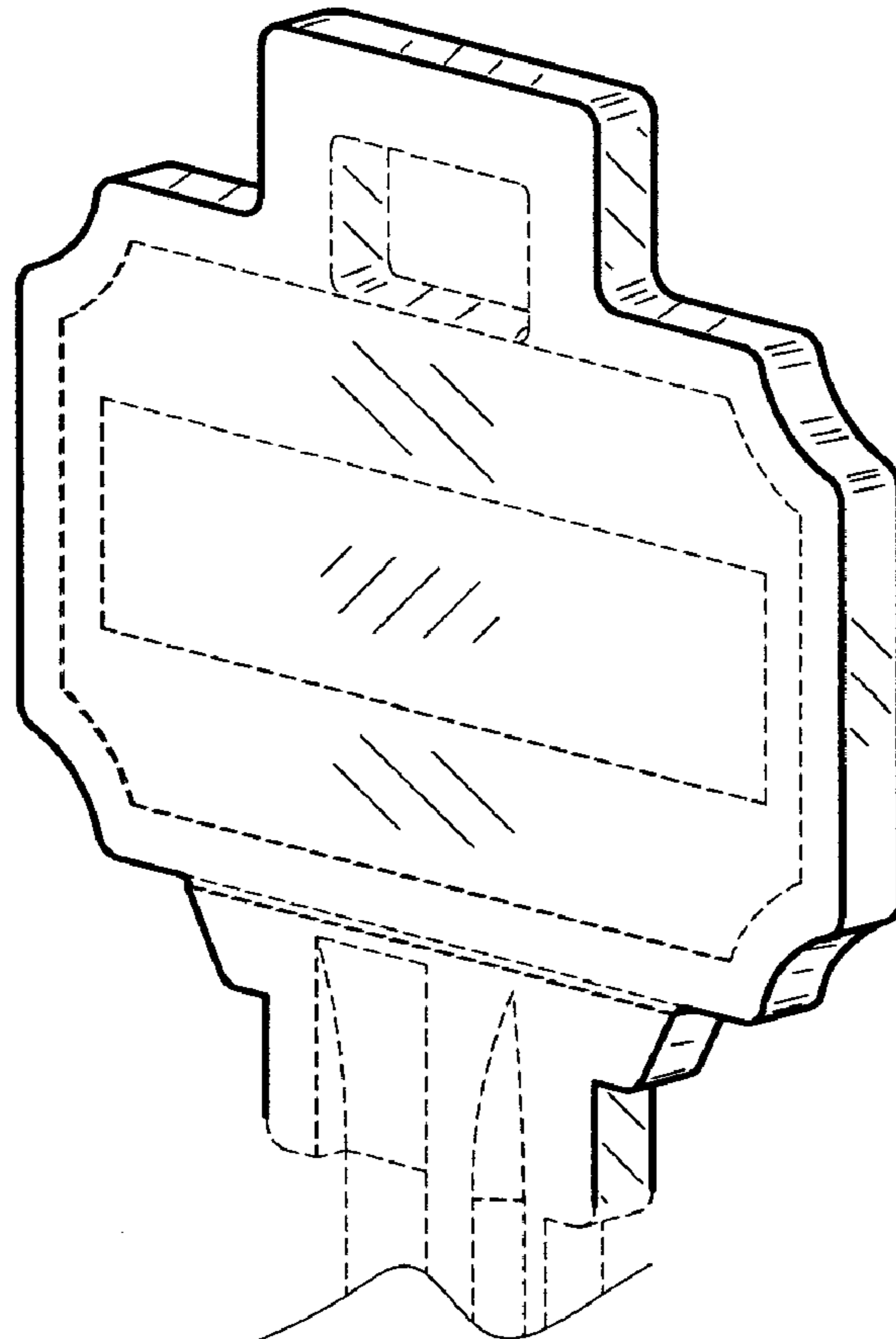
FIG. 1 is a rear elevational view of the key bow of the present disclosure;

FIG. 2 is a front elevational view thereof; and,

FIG. 3 is an enlarged perspective view thereof.

The broken line showing is included for the purpose of illustrating and forms no part of the claimed design.

1 Claim, 1 Drawing Sheet



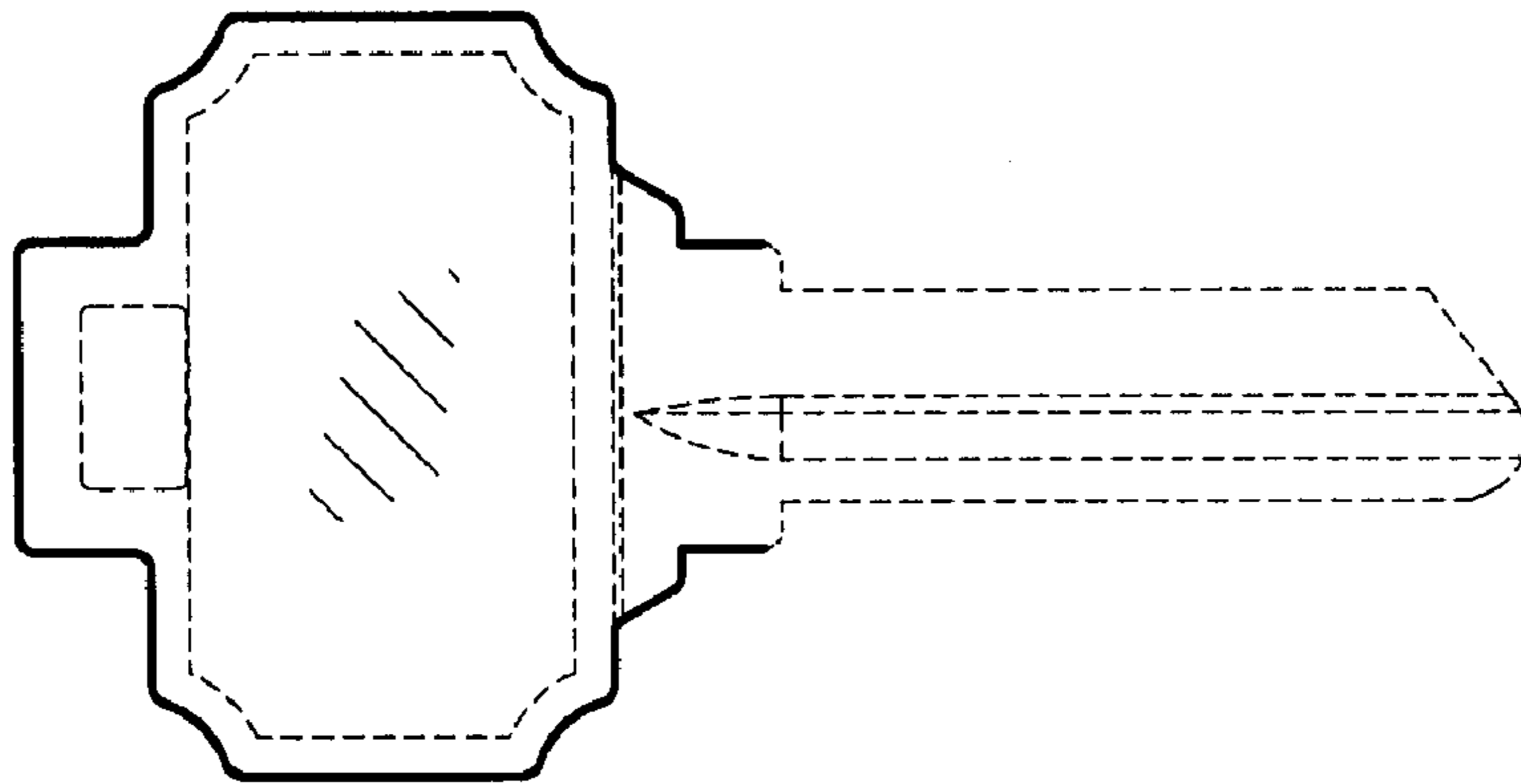


Fig. 1

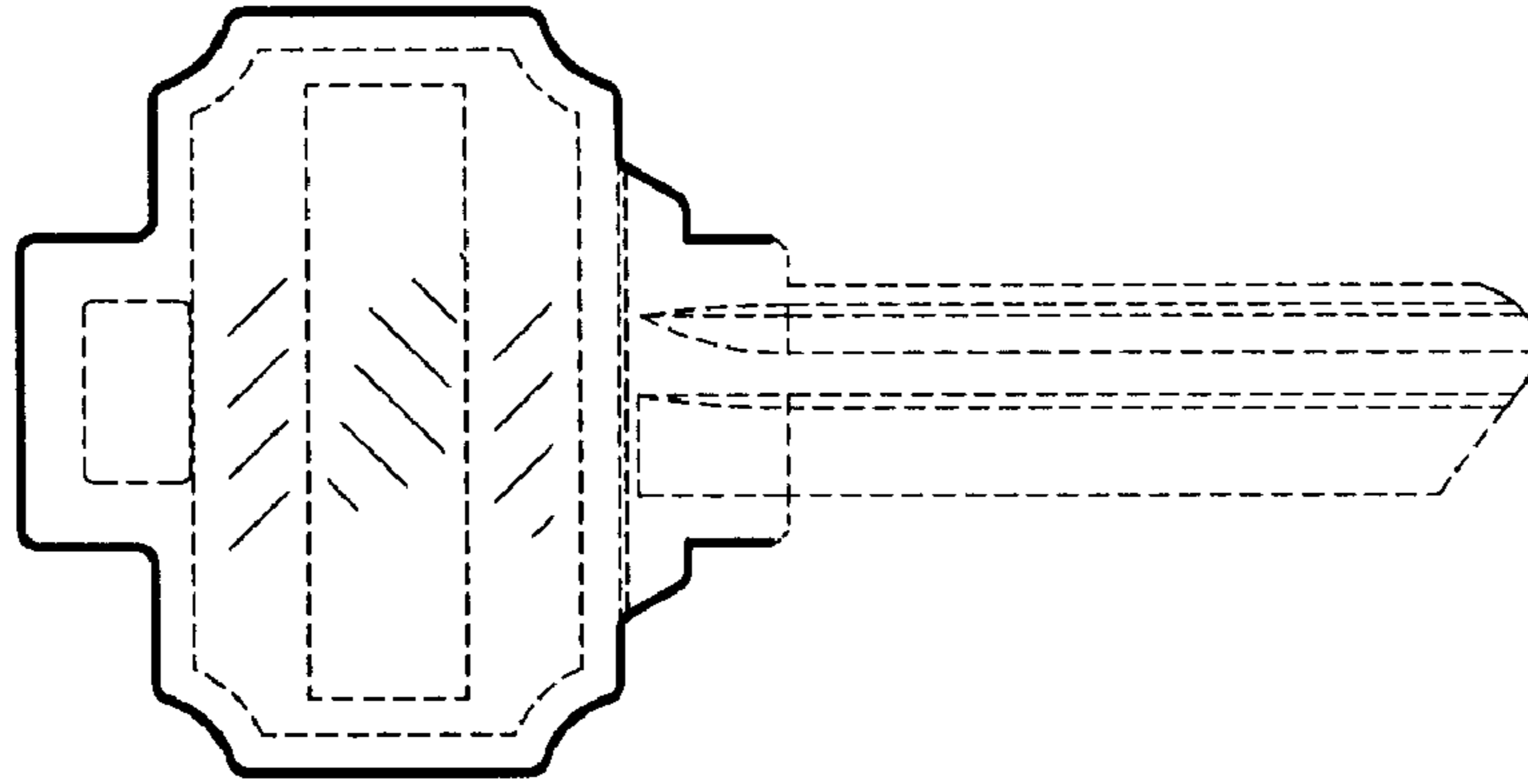


Fig. 2

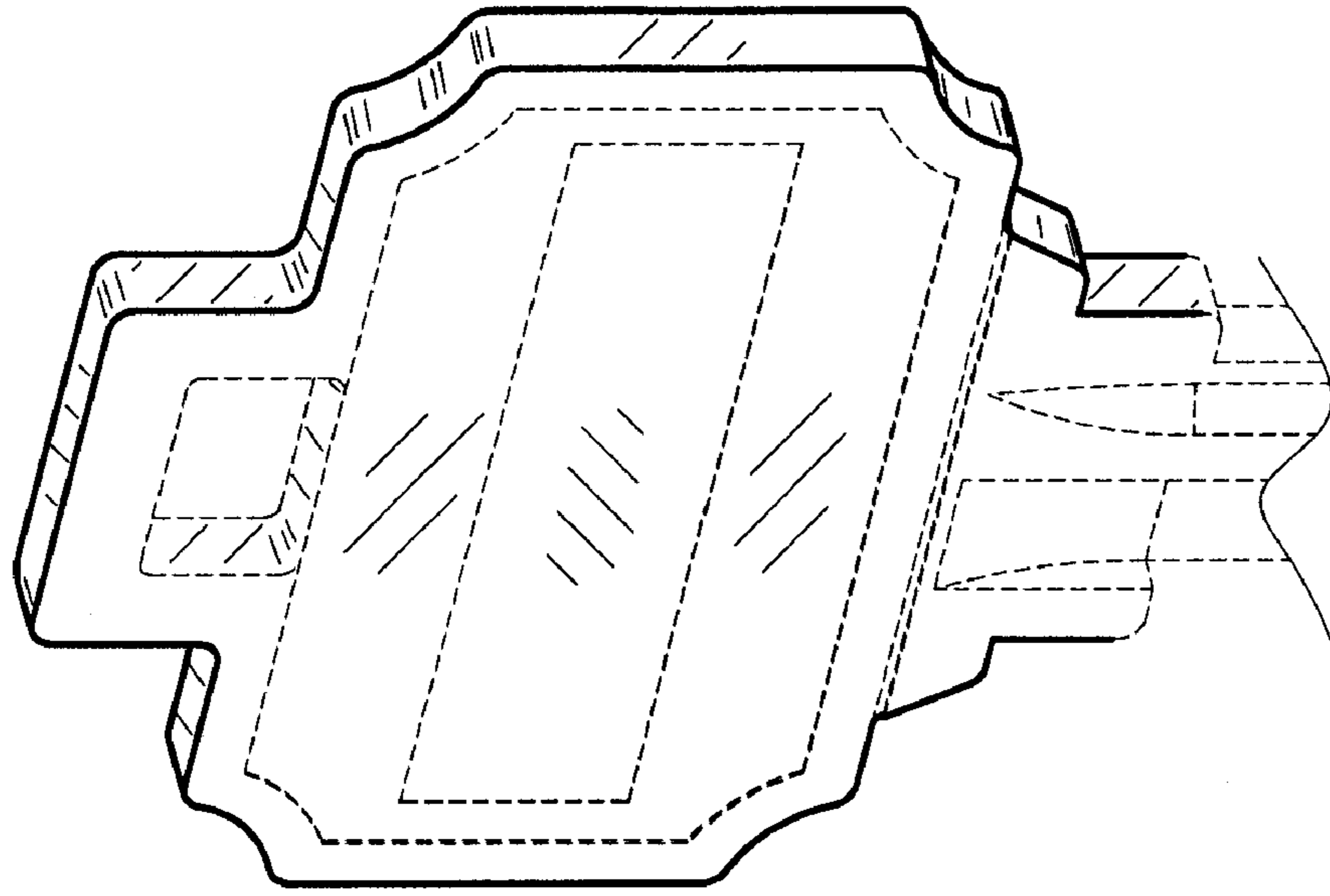


Fig. 3