



US00D556541S

(12) **United States Design Patent** (10) **Patent No.:** **US D556,541 S**
Blomstrom et al. (45) **Date of Patent:** **** Dec. 4, 2007**

(54) **SHACKLE**

1,581,953 A 4/1926 Jackson
D82,115 S 9/1930 Smith

(75) Inventors: **John Blomstrom**, Milwaukee, WI (US); **John Heppner**, Kenosha, WI (US); **Christopher Rohde**, West Allis, WI (US); **Glenn P. Meekma**, Menomonee Falls, WI (US)

(Continued)

OTHER PUBLICATIONS

Master Lock, No. 930 Padlocks Product Description, Master Lock web site, 2003.

(73) Assignee: **Master Lock Company LLC**, Oak Creek, WI (US)

(Continued)

Primary Examiner—Mitchell Siegel

(**) Term: **14 Years**

(74) *Attorney, Agent, or Firm*—Calfee, Halter & Griswold LLP

(21) Appl. No.: **29/285,603**

(57) **CLAIM**

(22) Filed: **Apr. 3, 2007**

The ornamental design for a shackle, as shown and described.

Related U.S. Application Data

DESCRIPTION

(63) Continuation of application No. 29/245,250, filed on Dec. 21, 2005, now Pat. No. Des. 542,625, and a continuation of application No. 29/245,251, filed on Dec. 21, 2005, now Pat. No. Des. 541,630.

FIG. 1 is a perspective view of a shackle of the new design; FIG. 2 is a front view of the shackle of FIG. 1; FIG. 3 is a rear view of the shackle of FIG. 1; FIG. 4 is a right side view of the shackle of FIG. 1, wherein each side is a mirror image of each other; FIG. 5 is a top view of the shackle of FIG. 1; FIG. 6 is a bottom view of the shackle of FIG. 1; FIG. 7 is a perspective view of another shackle of the new design; FIG. 8 is a front view of the shackle of FIG. 7; FIG. 9 is a rear view of the shackle of FIG. 7; FIG. 10 is a right side view of the shackle of FIG. 7, wherein each side is a mirror image of the other; FIG. 11 is a top view of the shackle of FIG. 7; and, FIG. 12 is a bottom view of the shackle of FIG. 7.

(51) **LOC (8) Cl.** **08-07**

(52) **U.S. Cl.** **D8/343**

(58) **Field of Classification Search** D8/330–348; 70/20–22, 24, 31, 35, 38 A, 51–52, 54–56
See application file for complete search history.

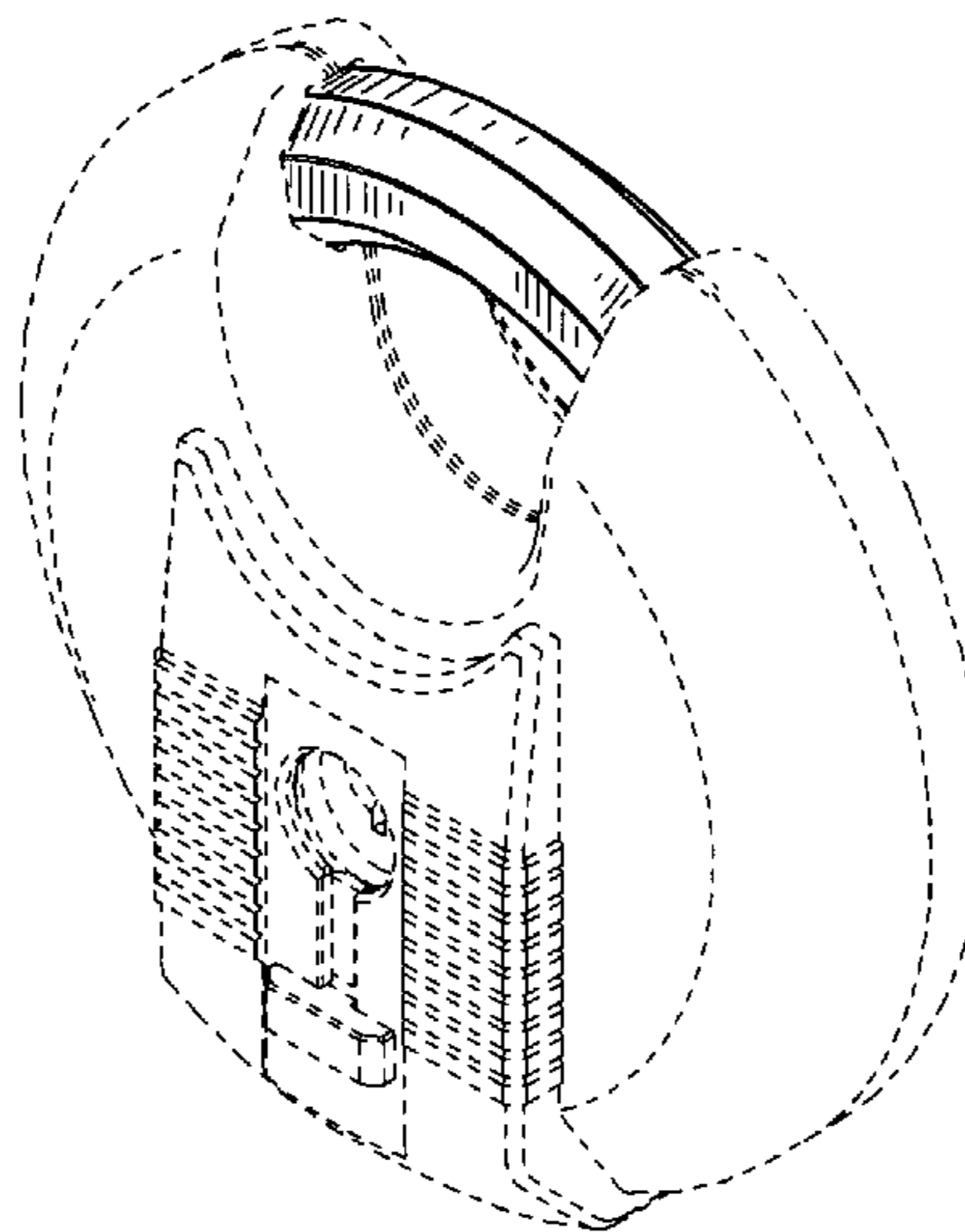
The portions of the Figures shown in phantom lines are not part of the claimed design, but are for illustration purposes only.

(56) **References Cited**

U.S. PATENT DOCUMENTS

8,318 A	8/1851	Tilton
55,167 A	5/1866	Saladee
229,332 A	6/1880	Pease
439,635 A	11/1890	Bryant
596,596 A	1/1898	Johnson
816,492 A	3/1906	Mohr
823,919 A	6/1906	Caldwell
D38,773 S	8/1907	Erickson
1,016,455 A	2/1912	Stone
1,103,015 A	7/1914	Andrus
1,172,970 A	2/1916	Fowler
1,490,453 A	4/1924	Caldwell

1 Claim, 4 Drawing Sheets



US D556,541 S

Page 2

U.S. PATENT DOCUMENTS

D83,283 S 2/1931 Stone
D144,684 S 5/1946 Bouhall
3,260,079 A 7/1966 Caskey
D231,895 S 6/1974 Stolarz
3,835,675 A 9/1974 Lippisch
4,519,226 A 5/1985 Hadaway
4,905,486 A 3/1990 Appelbaum
D314,908 S 2/1991 Pedersen
D315,090 S 3/1991 Pedersen
4,998,423 A 3/1991 Hsu
5,044,180 A 9/1991 Lebrecht
D342,009 S * 12/1993 Lebrecht et al. D8/334
D353,089 S * 12/1994 Kahonen D8/334
D373,300 S 9/1996 Zane
D378,567 S 3/1997 Zane
D379,919 S 6/1997 Mountain
D388,688 S 1/1998 Yang
5,765,409 A 6/1998 Yang
D406,043 S 2/1999 LeClaire
D407,294 S 3/1999 Chen
D407,625 S 4/1999 Yang
5,901,587 A 5/1999 Chen
5,918,489 A 7/1999 Yang
5,921,123 A 7/1999 Schwarzkopf et al.
D423,323 S 4/2000 Fiegenger et al.
D423,906 S 5/2000 Fiegenger et al.
D423,907 S 5/2000 Fiegenger et al.
D423,908 S 5/2000 Liu
D425,397 S 5/2000 Fiegenger et al.
D425,398 S 5/2000 Fiegenger et al.

D426,763 S 6/2000 Adler et al.
D428,794 S 8/2000 Fiegenger et al.
D429,993 S 8/2000 Lie
D432,391 S 10/2000 Heppner
D437,204 S 2/2001 Kajuch et al.
D439,823 S 4/2001 Adler et al.
D449,510 S 10/2001 Liu
6,305,198 B1 10/2001 Chastain et al.
D455,639 S 4/2002 McDaid et al.
6,363,758 B1 4/2002 Ling
D470,746 S 2/2003 Gast
D476,216 S 6/2003 Vito
D482,594 S 11/2003 Ling
D484,777 S * 1/2004 Ruan D8/334
D516,408 S * 3/2006 Kearns et al. D8/334
D520,339 S * 5/2006 Heppner D8/343
D524,632 S 7/2006 Kearns et al.
D541,630 S 5/2007 Blomstrom
D541,631 S * 5/2007 Heppner D8/343
D542,625 S 5/2007 Blomstrom et al.

OTHER PUBLICATIONS

Master Lock, No. 187 Padlocks Product Product Description, Master Lock web site.

Locksmith Dealers of America, Discus Padlocks Product Description, Corridor Lock website, date unknown, internet print Mar. 29, 2005.

Master Lock, No. 40 Padlocks Products Description, Master Lock web site. 2003.

* cited by examiner

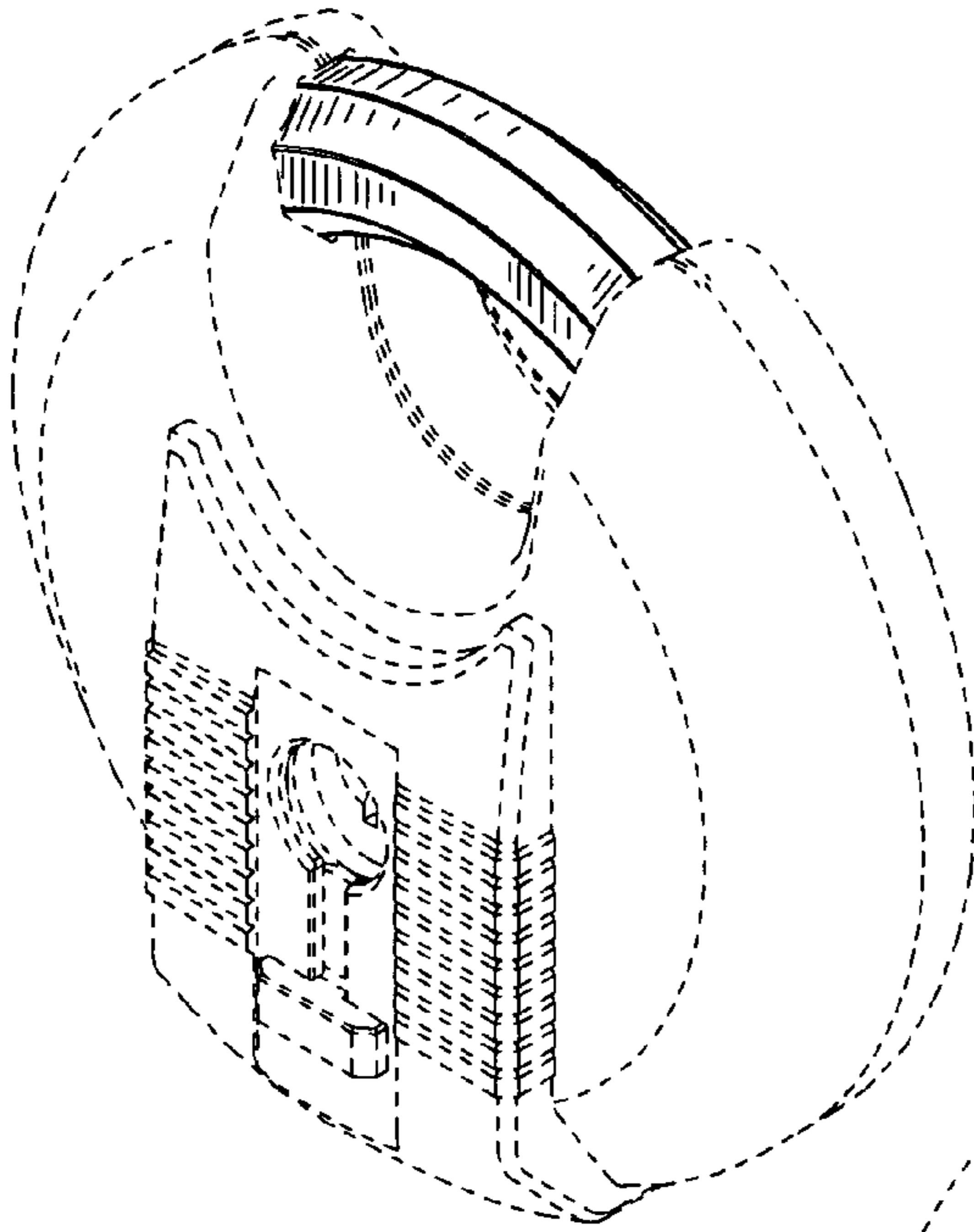


Figure 1

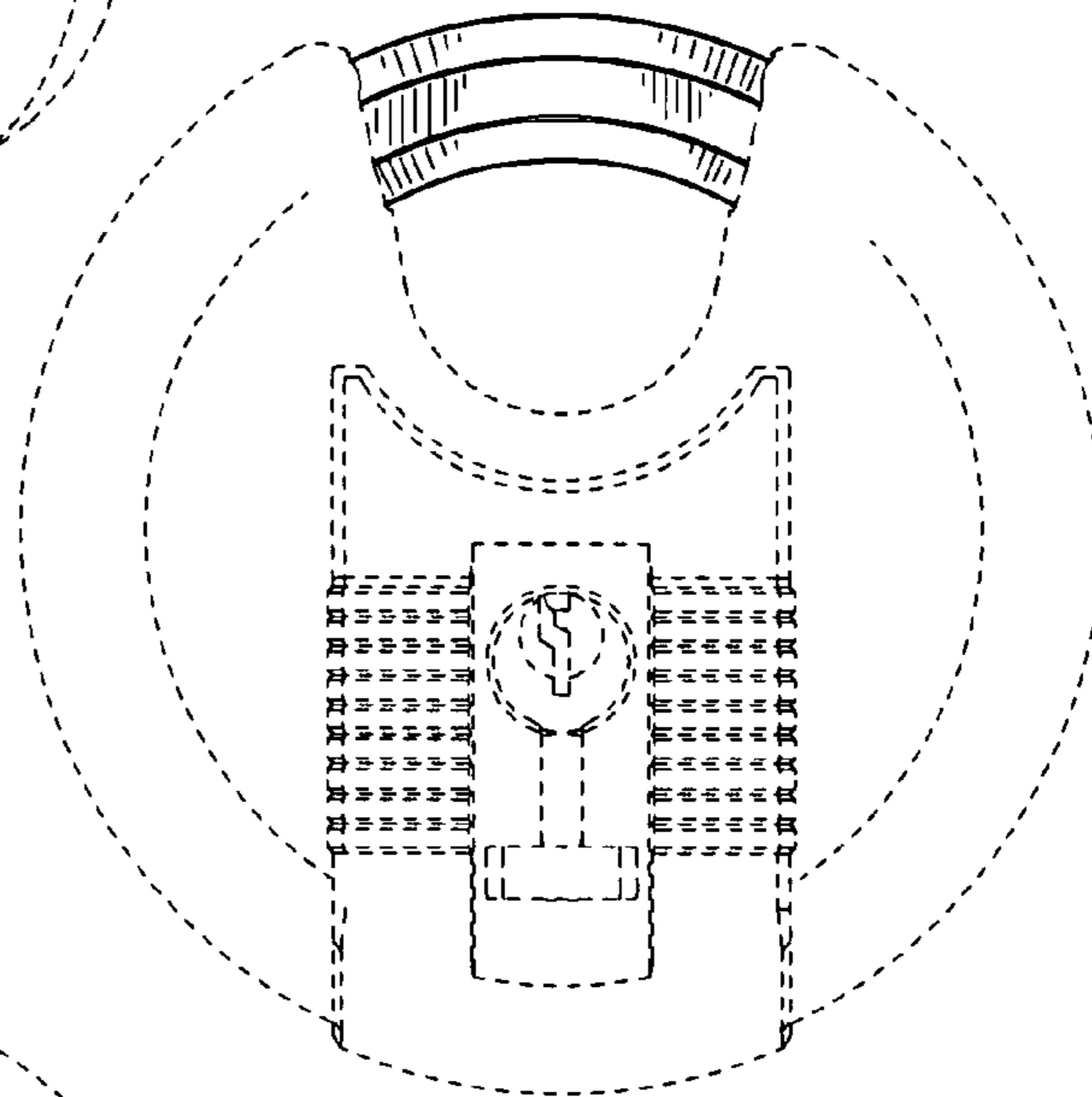


Figure 2

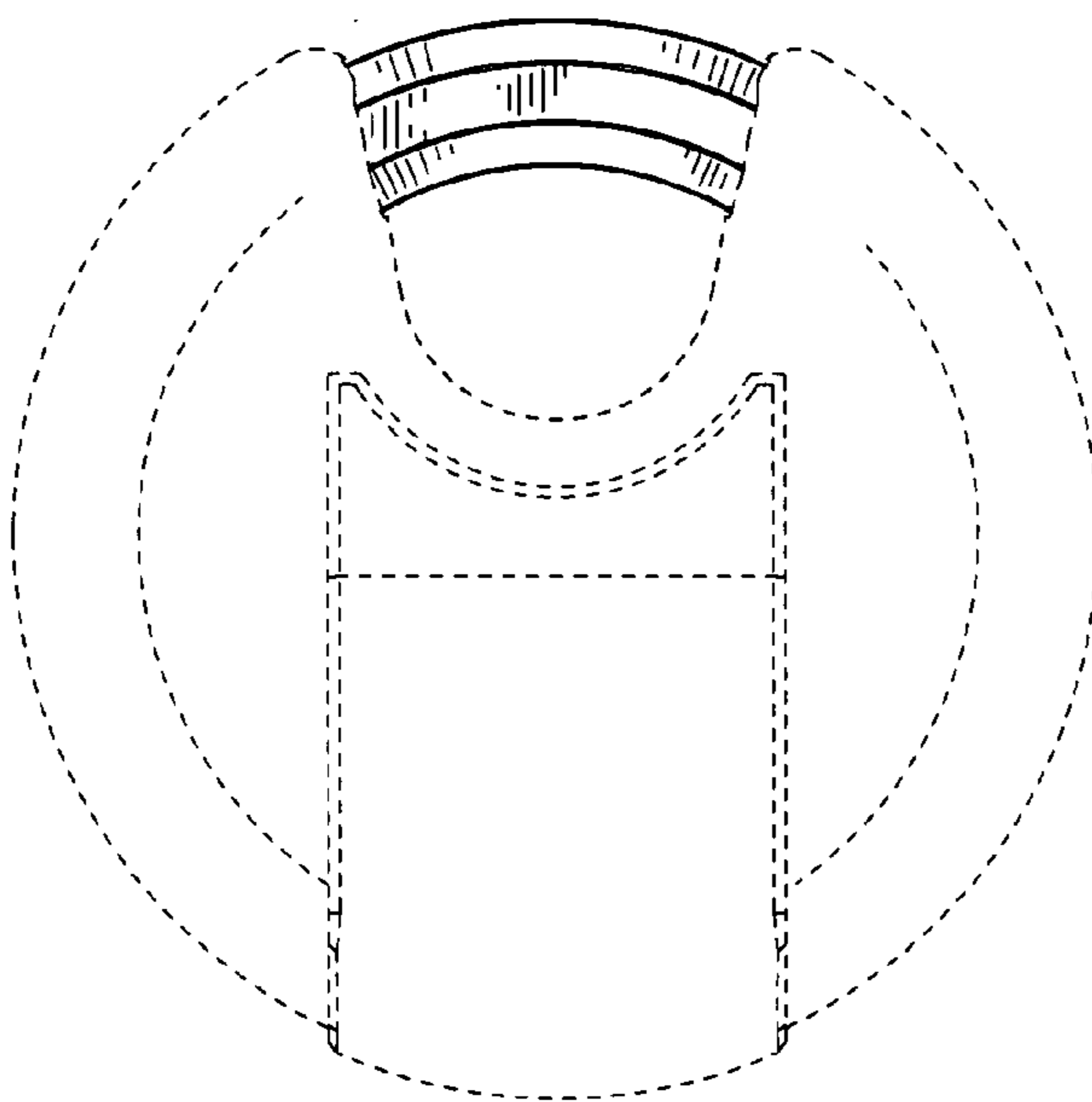


Figure 3

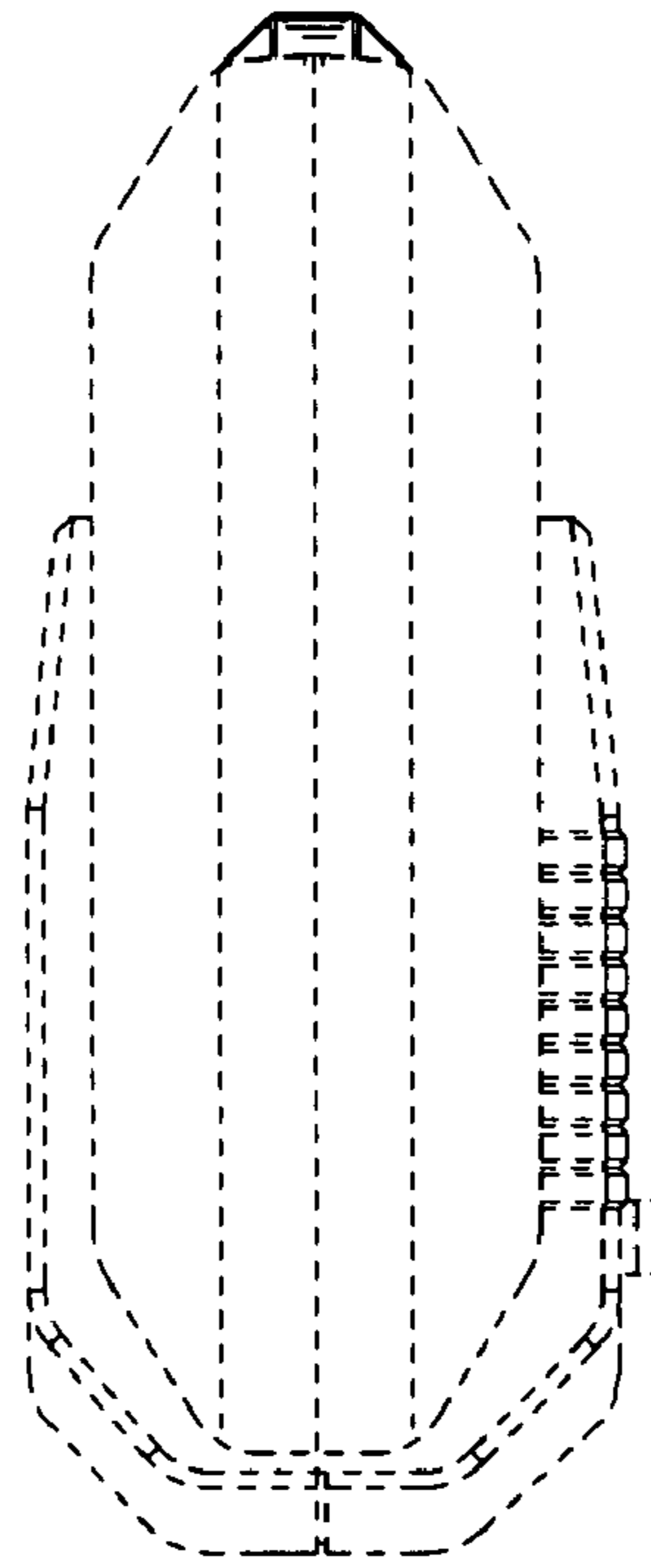


Figure 4

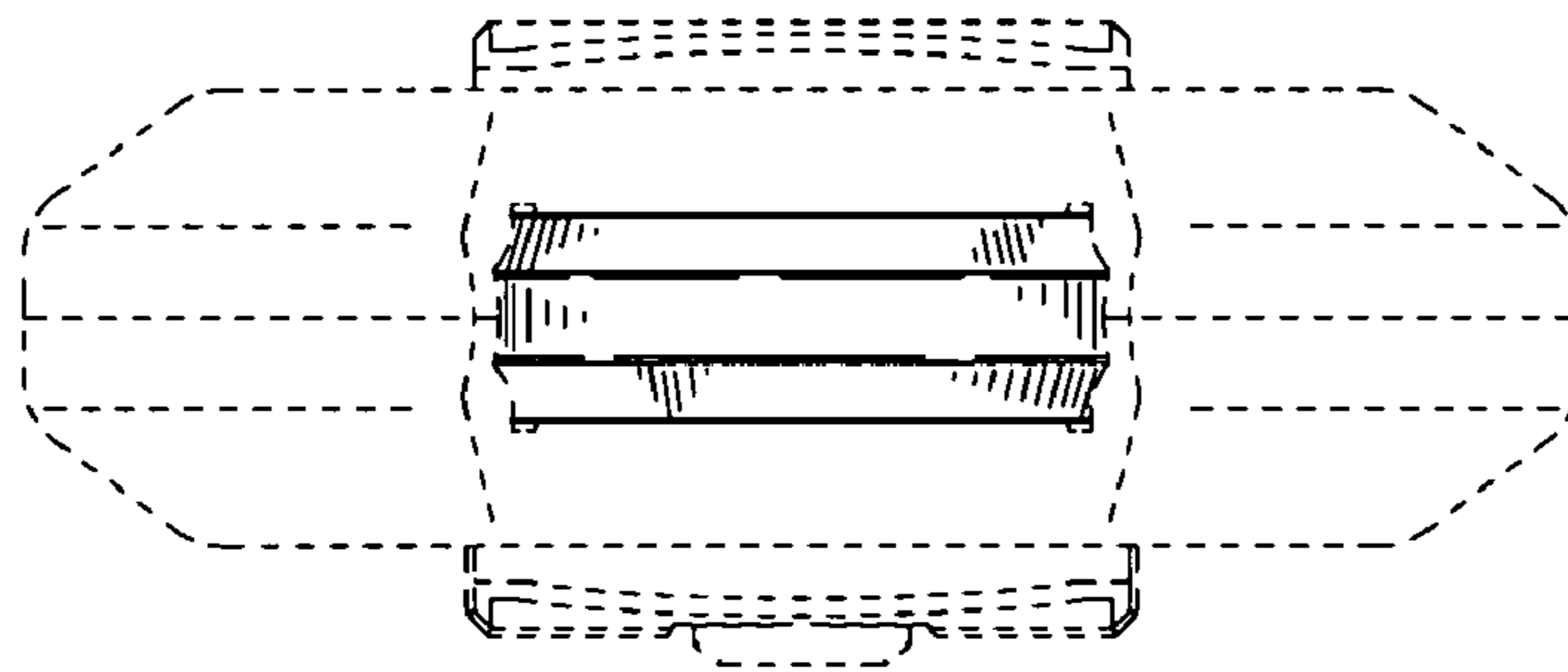


Figure 5

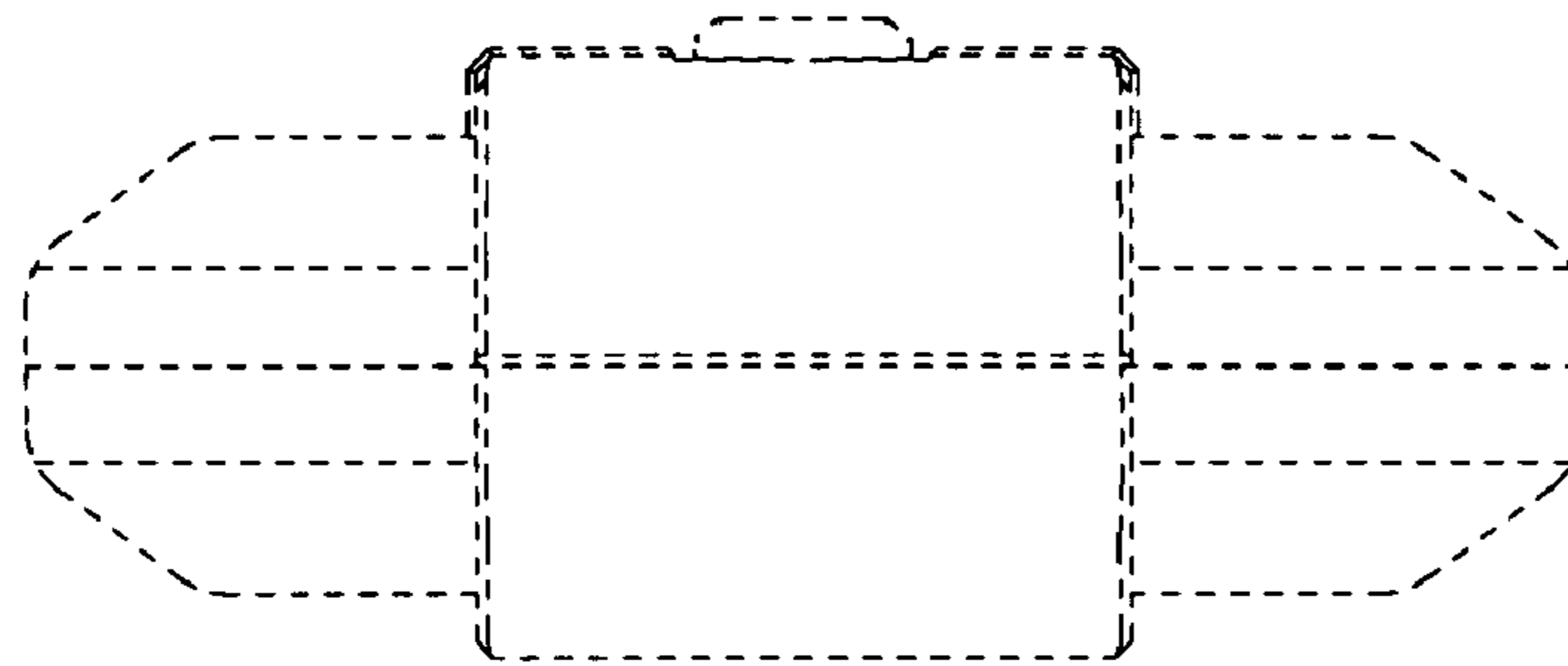


Figure 6

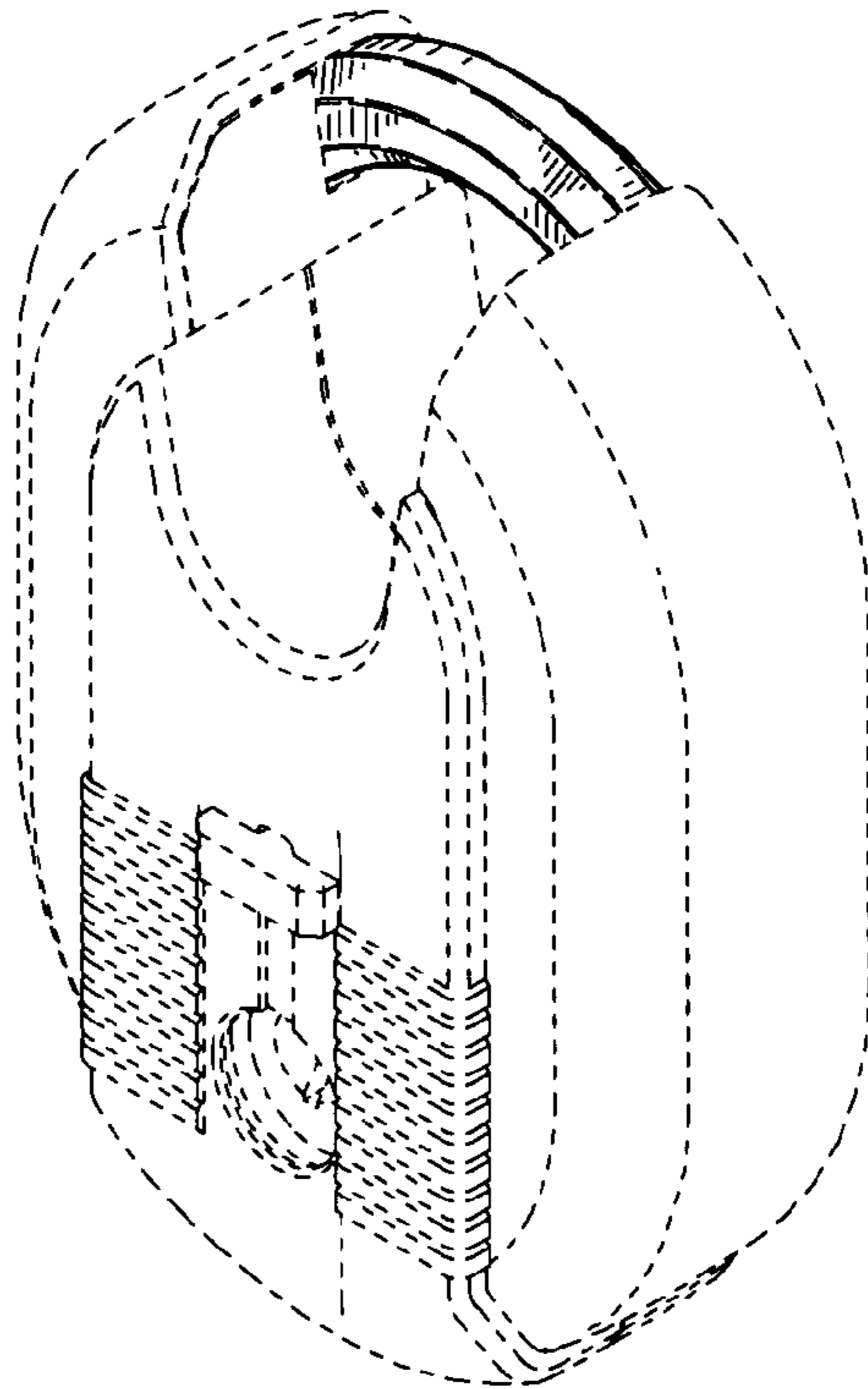


Figure 7

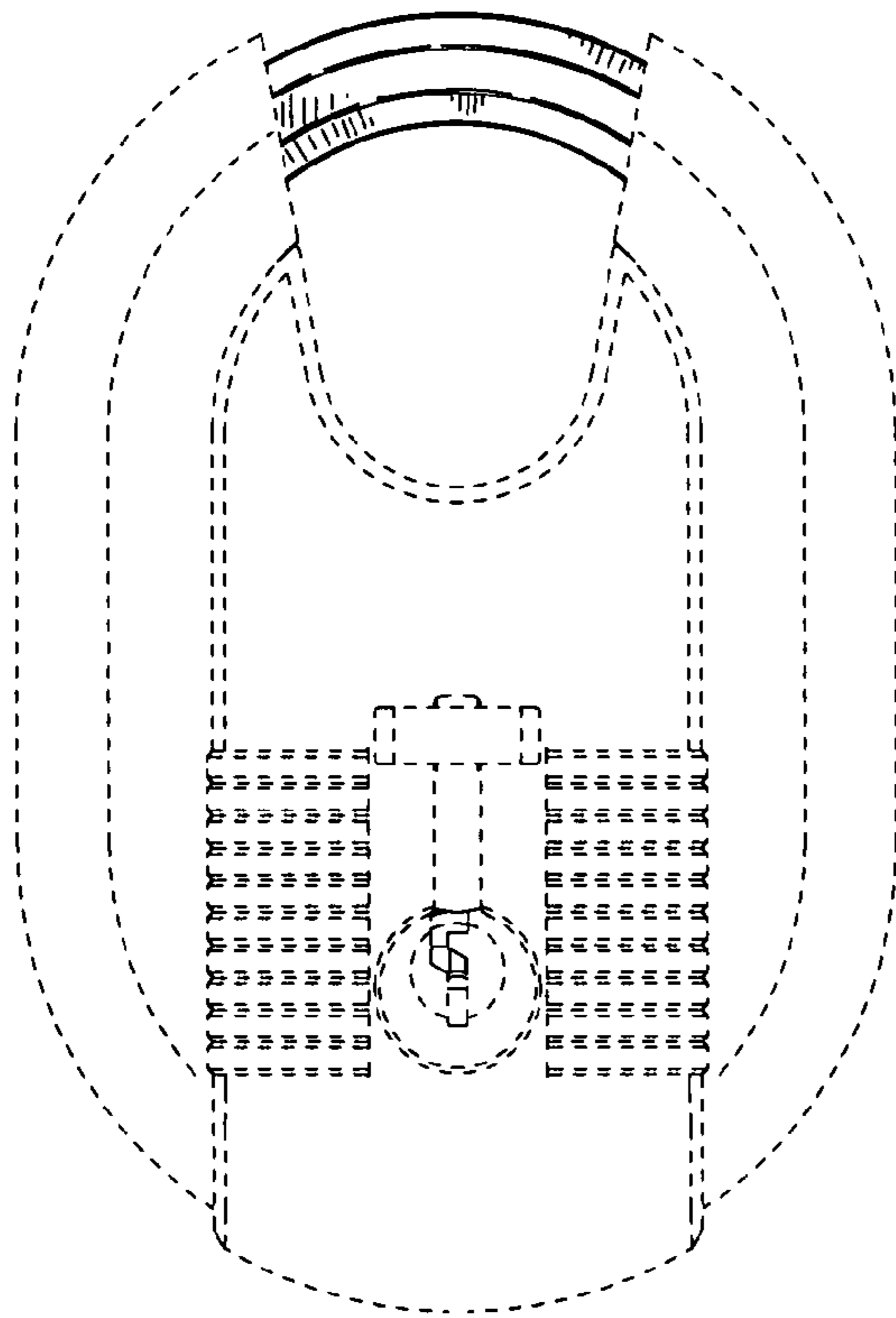


Figure 8

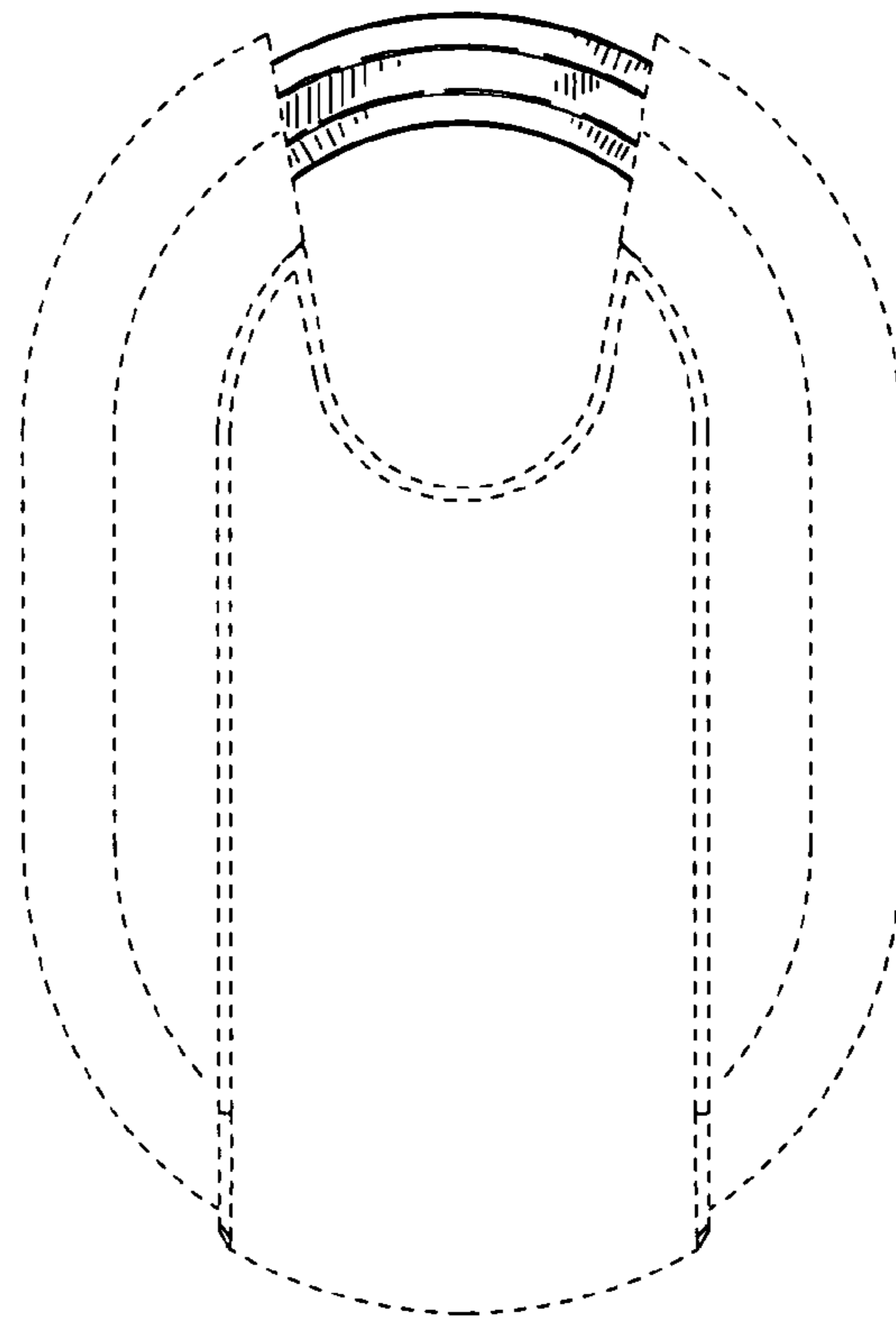


Figure 9

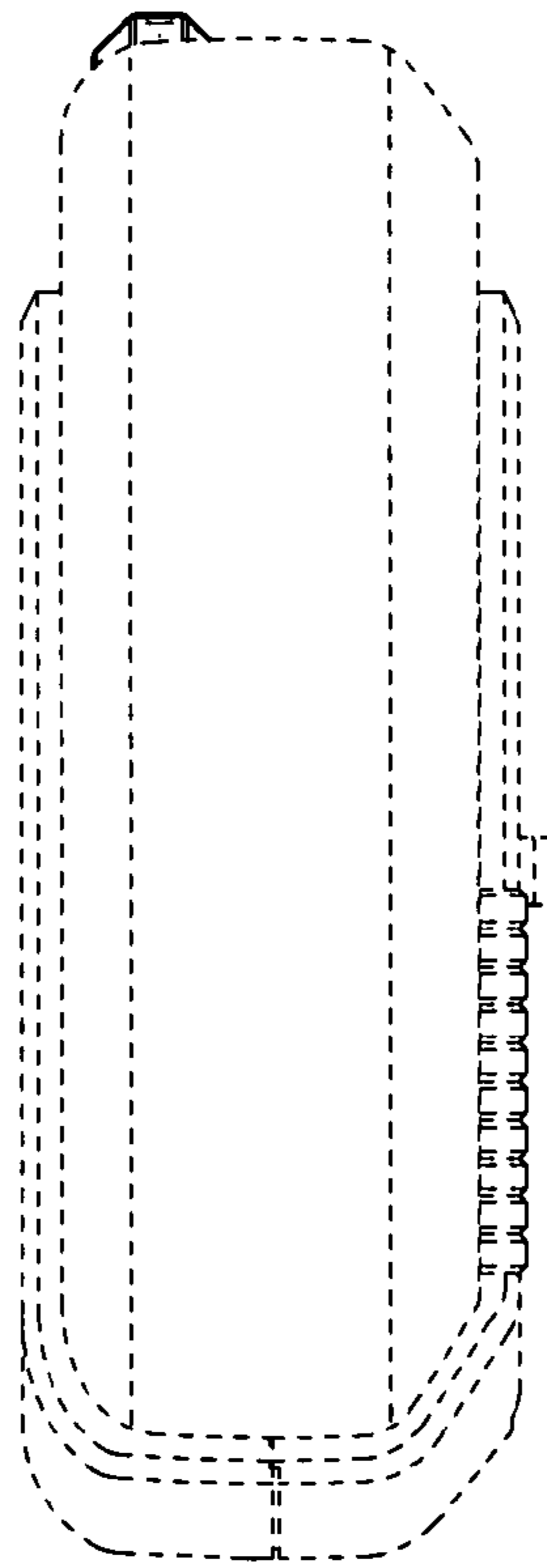


Figure 10

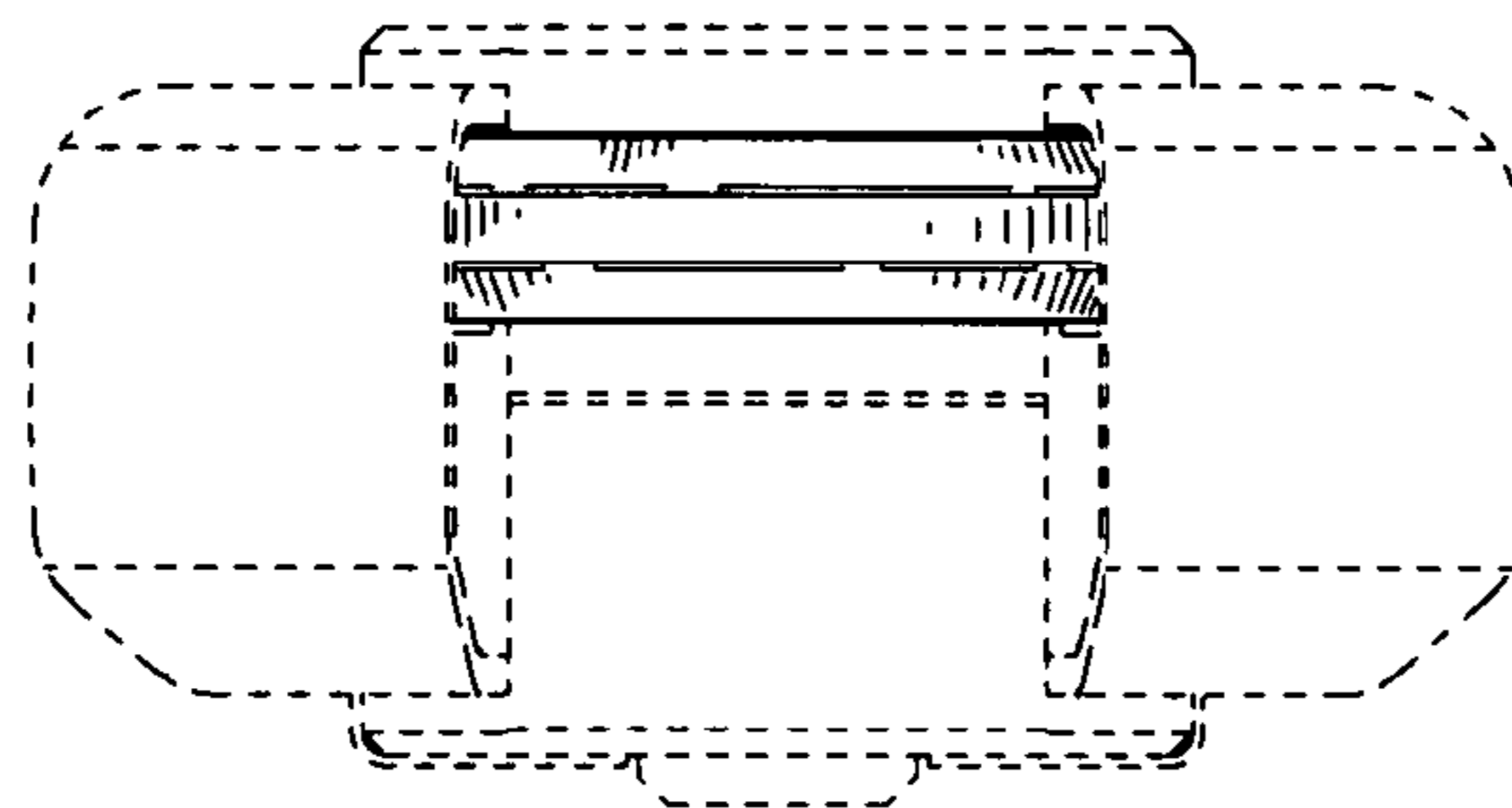


Figure 11

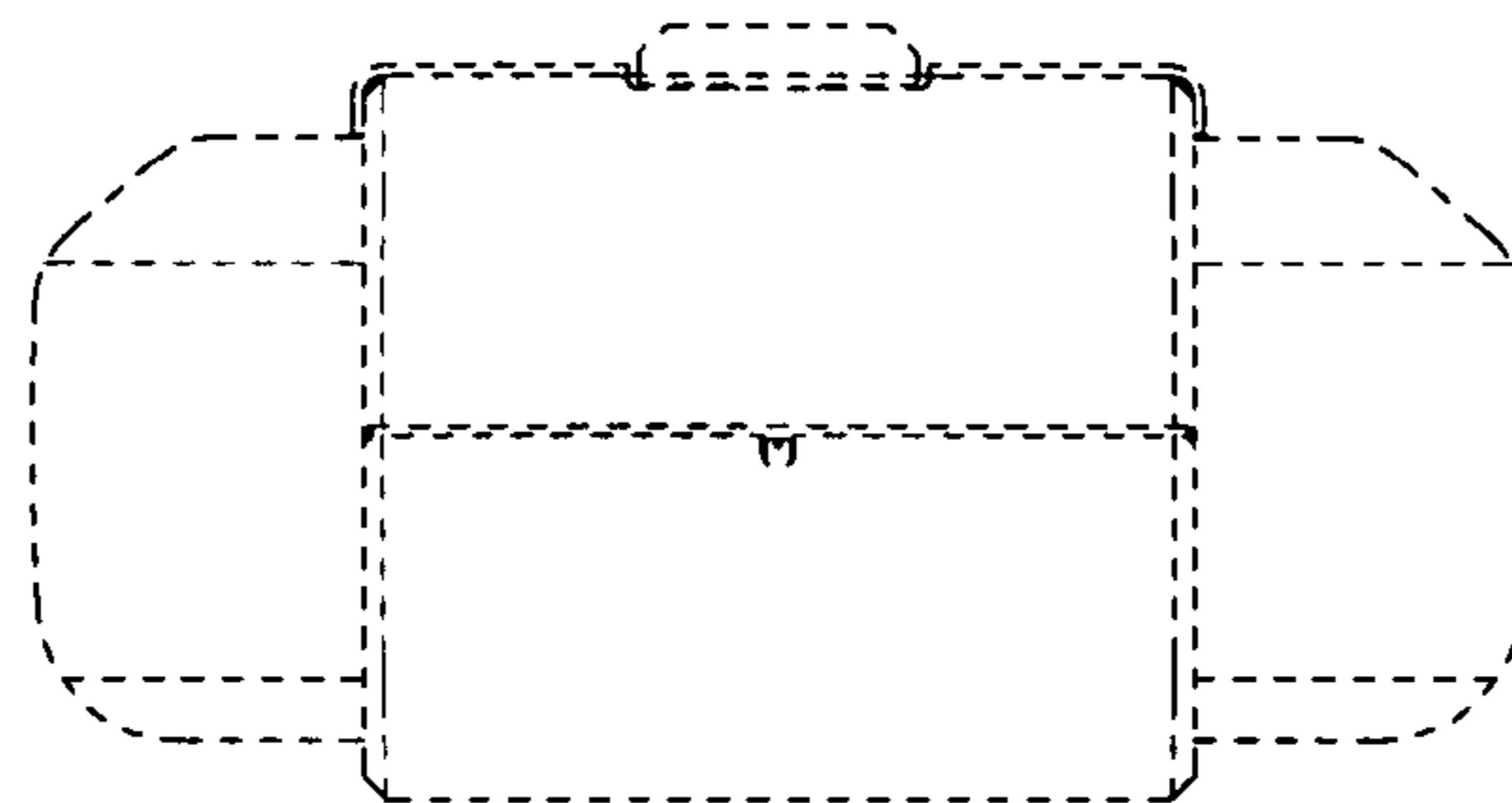


Figure 12