



US00D556540S

(12) **United States Design Patent**  
**Bahadir**

(10) **Patent No.:** **US D556,540 S**

(45) **Date of Patent:** **\*\* Dec. 4, 2007**

(54) **LOCK OF STERILIZATION CONTAINER**

(75) Inventor: **Yakup Bahadir**, Samsun (TR)

(73) Assignee: **Bahadir Tibbi Alet Cihaz Ve Insaat Makina Sanayi Ve Ticaret A.S.**, Samsun (TR)

(\*\*) Term: **14 Years**

(21) Appl. No.: **29/255,105**

(22) Filed: **Mar. 3, 2006**

(51) **LOC (8) Cl.** ..... **08-07**

(52) **U.S. Cl.** ..... **D8/331**

(58) **Field of Classification Search** ..... D8/330-348;  
D24/217; 422/297-303, 310, 119; 70/3,  
70/6, 31, 78, 80, 179, 141, 142, 208, 209,  
70/77, 91, 101, 4, 312; 292/247, 113  
See application file for complete search history.

(56) **References Cited**

**U.S. PATENT DOCUMENTS**

D210,686 S *	4/1968	Woolworth	.....	D8/336
4,818,502 A *	4/1989	Taschner	.....	422/310
4,915,913 A *	4/1990	Williams et al.	.....	422/119
4,920,771 A *	5/1990	Jiang	.....	70/4
5,351,509 A *	10/1994	Visenzi	.....	70/73
D371,203 S *	6/1996	Deeds	.....	D24/217

6,077,485 A *	6/2000	Baker	.....	422/300
6,319,481 B1 *	11/2001	Banks	.....	422/300
6,547,293 B1 *	4/2003	Cheng	.....	292/247
D482,593 S *	11/2003	Wolf	.....	D8/331
D487,560 S *	3/2004	Magnusson	.....	D8/331
D489,595 S *	5/2004	Gleichauf et al.	.....	D8/336

\* cited by examiner

*Primary Examiner*—Mitchell Siegel

(74) *Attorney, Agent, or Firm*—Madson & Austin

(57) **CLAIM**

The ornamental design for a lock of sterilization container, as shown and described.

**DESCRIPTION**

FIG. 1 is a perspective view of the lock of sterilization container showing my new design as it may be used with a sterilization container. The sterilization container show in broken lines is not part of the design sought to be patented.

FIG. 2 is a top view thereof.

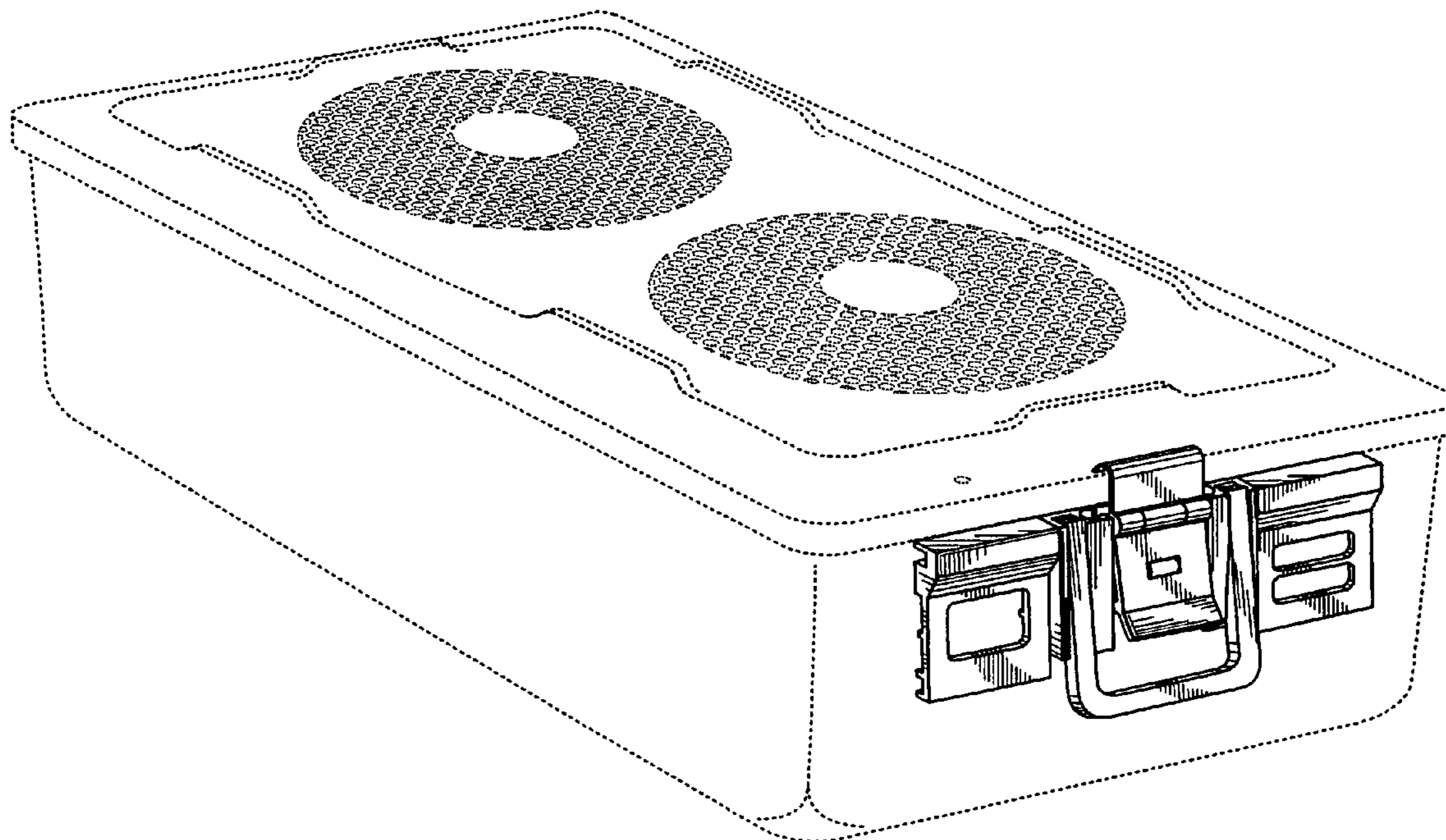
FIG. 3 is a front view thereof.

FIG. 4 is a left side view thereof.

FIG. 5 is a right side view thereof; and,

FIG. 6 is a bottom view thereof.

**1 Claim, 2 Drawing Sheets**



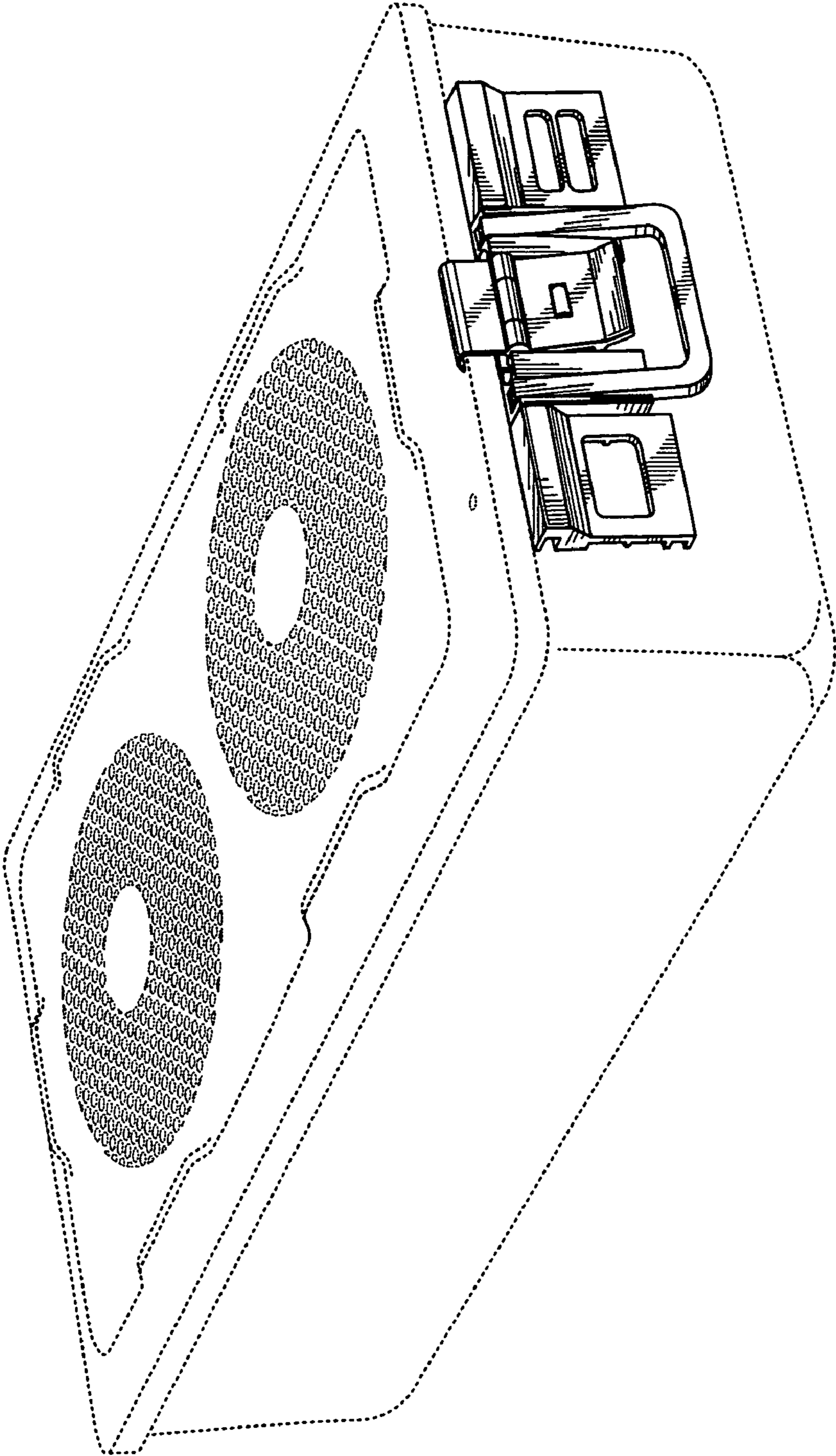


FIG. 1

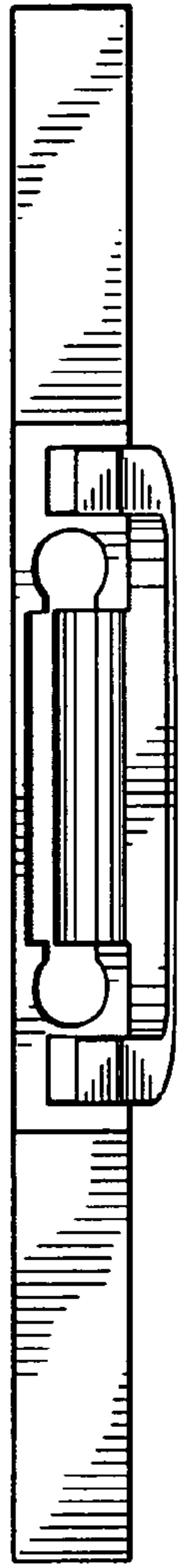


FIG. 2

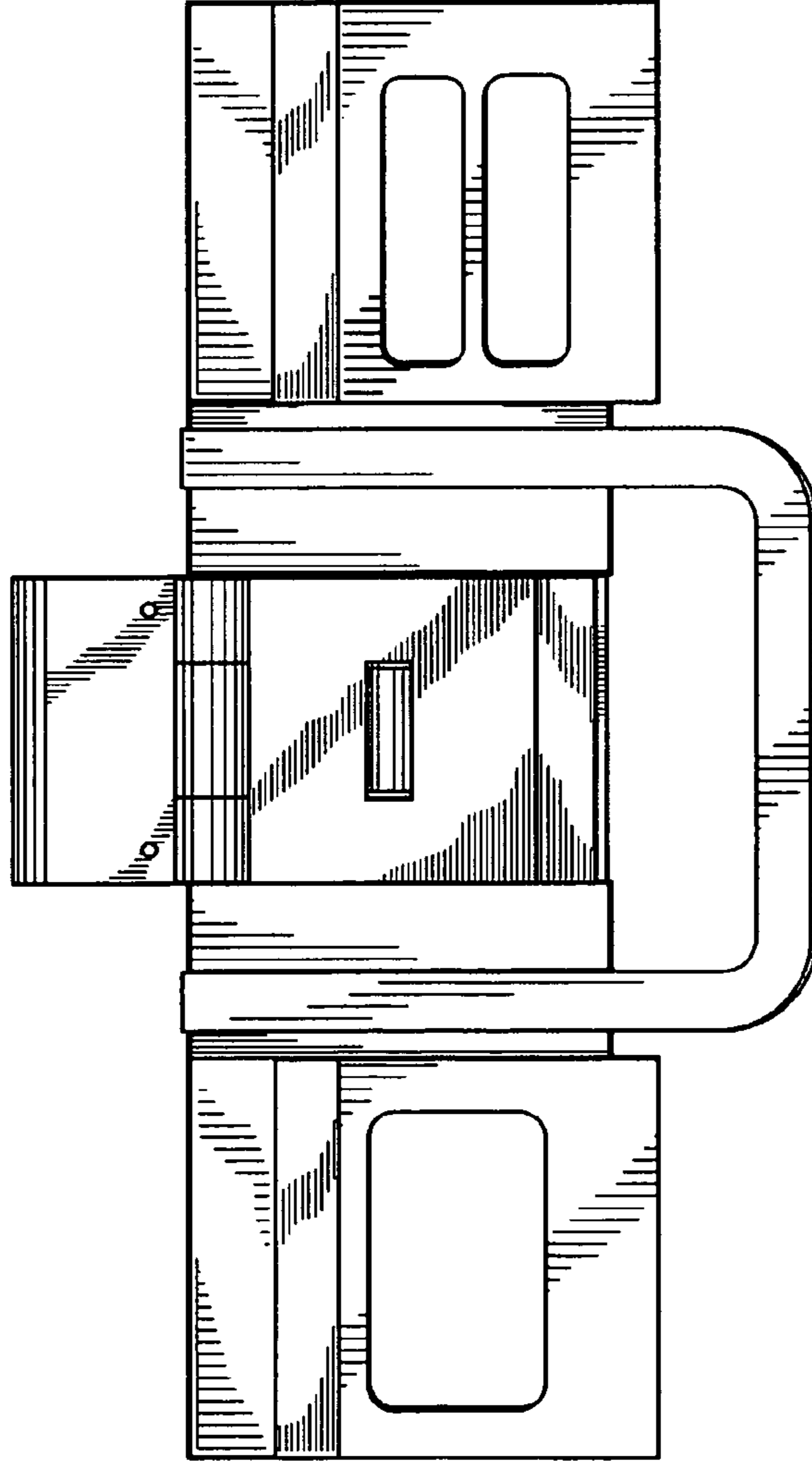


FIG. 3

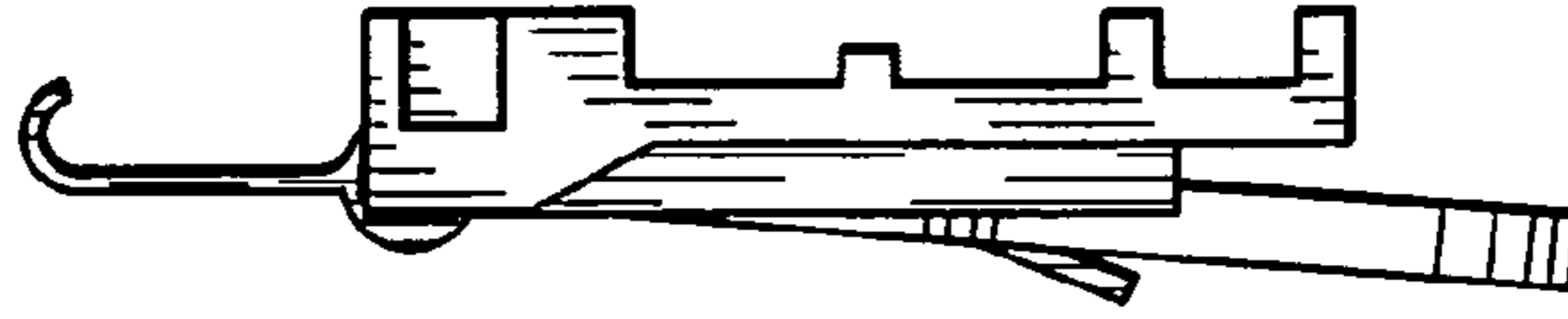


FIG. 4

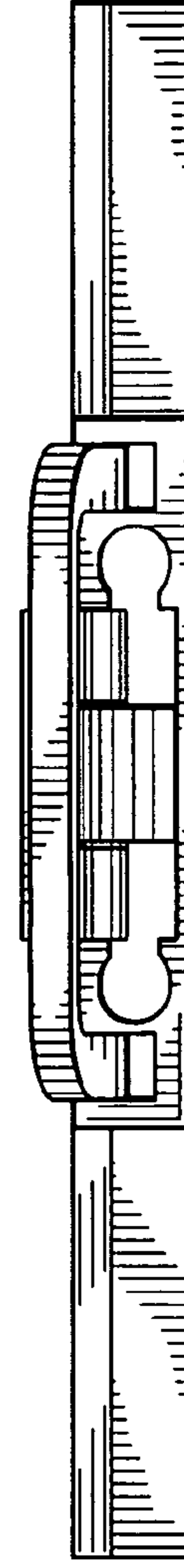


FIG. 5

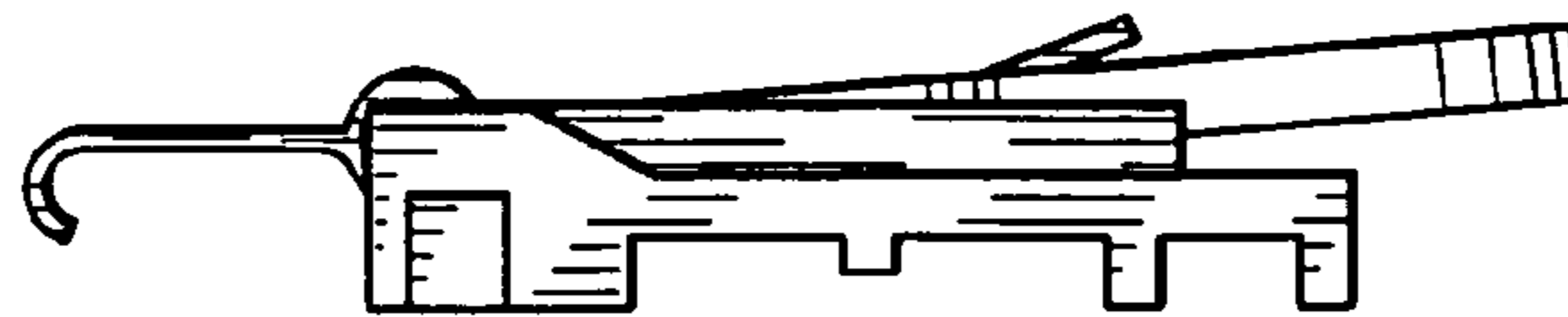


FIG. 6