



US00D556539S

(12) **United States Design Patent**  
**Kiraly**

(10) **Patent No.:** **US D556,539 S**

(45) **Date of Patent:** **\*\* Dec. 4, 2007**

(54) **GATE LATCH**

(75) Inventor: **Dezso Kiraly**, Meadowbank (AU)

(73) Assignee: **D & D Group Pty Ltd**, Frenchs Forest (AU)

(\*\*) Term: **14 Years**

(21) Appl. No.: **29/248,012**

(22) Filed: **Jul. 25, 2006**

(30) **Foreign Application Priority Data**

Jan. 31, 2006 (AU) ..... 10312/06

(51) **LOC (8) Cl.** ..... **08-07**

(52) **U.S. Cl.** ..... **D8/331**

(58) **Field of Classification Search** ..... D8/330-348;  
292/109-113, 121-122, 194, 217, 235-236,  
292/125, DIG. 25, 336, 228; 70/137, 139,  
70/101, 190

See application file for complete search history.

(56) **References Cited**

**U.S. PATENT DOCUMENTS**

5,358,292 A \* 10/1994 Van Wiebe et al. .... 292/235

D396,794 S \* 8/1998 Francom ..... D8/336  
6,058,747 A \* 5/2000 Doyle et al. .... 70/137  
D439,497 S \* 3/2001 Clark et al. .... D8/331  
D452,641 S \* 1/2002 Portenier ..... D8/341  
6,347,819 B1 \* 2/2002 Plaxco ..... 292/336  
6,513,351 B2 \* 2/2003 Clark ..... 70/101

\* cited by examiner

*Primary Examiner*—Mitchell Siegel

(74) *Attorney, Agent, or Firm*—Kelly Lowry & Kelley LLP

(57) **CLAIM**

The ornamental design for a gate latch, as shown.

**DESCRIPTION**

FIG. 1 is a front perspective view.

FIG. 2 is a perspective view from the rear.

FIG. 3 is a front elevation.

FIG. 4 is a rear elevation.

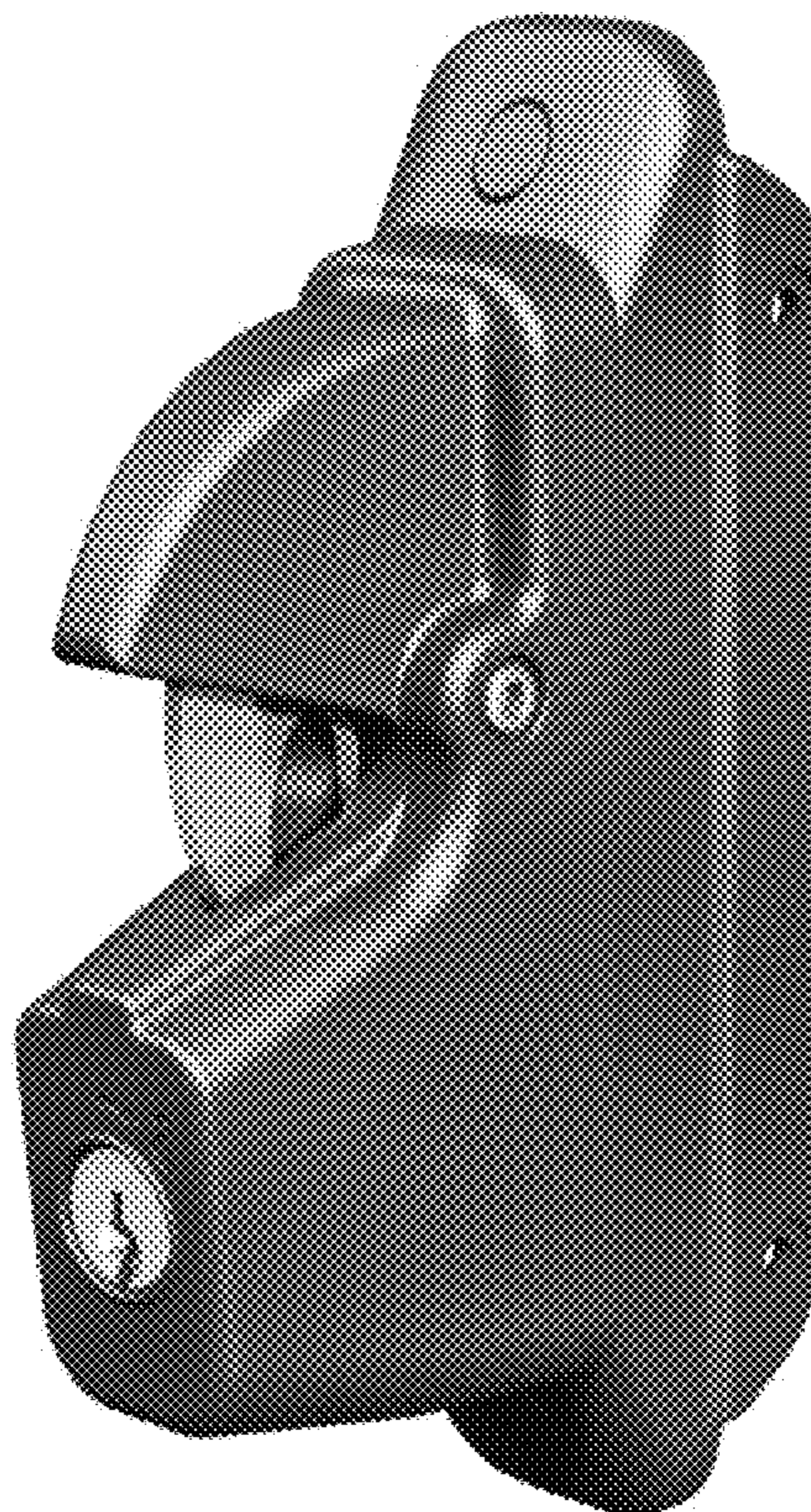
FIG. 5 is a left side elevation.

FIG. 6 is a right side elevation.

FIG. 7 is a plan view; and,

FIG. 8 is a bottom view.

**1 Claim, 8 Drawing Sheets**



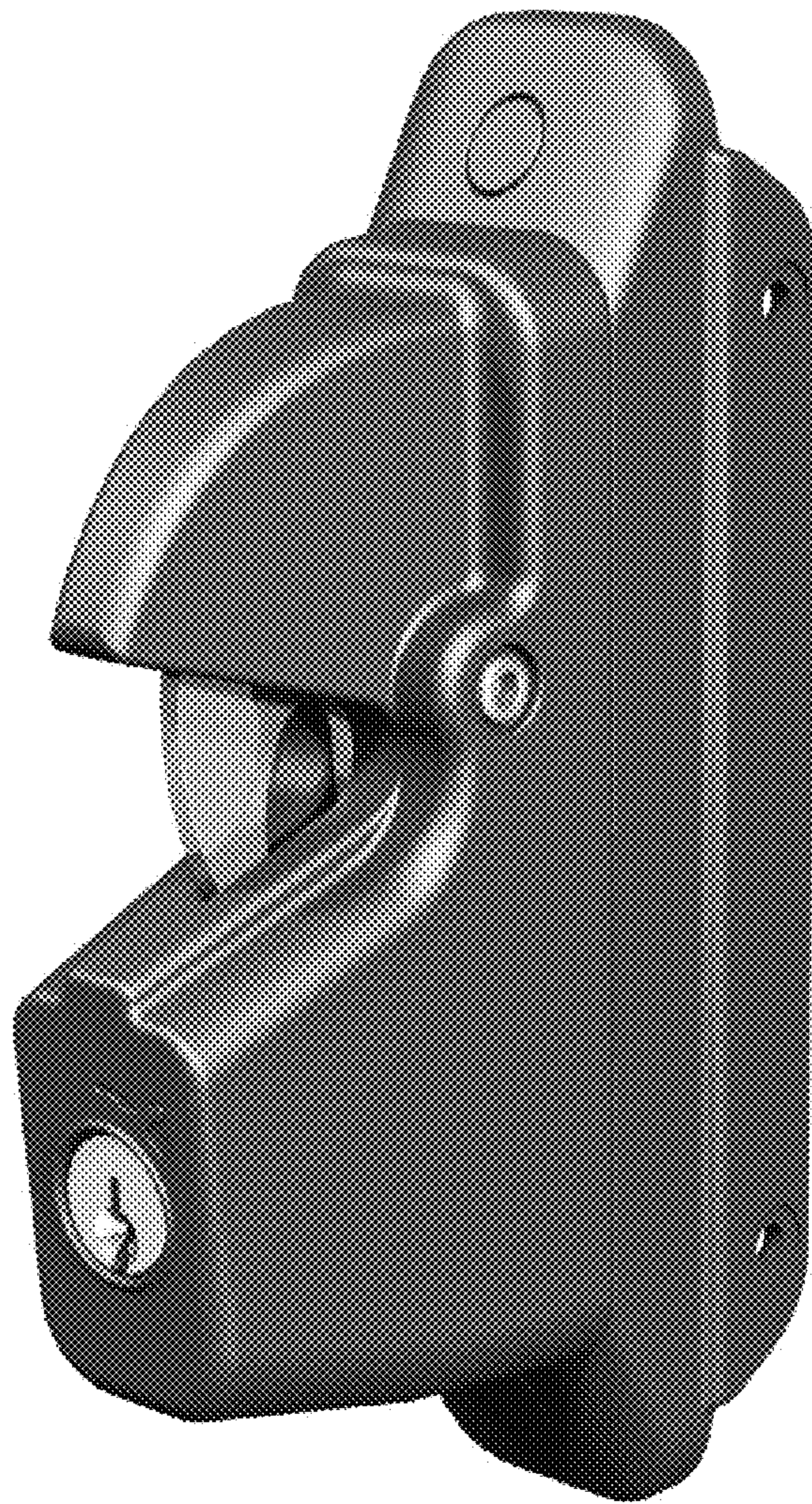


FIGURE 1

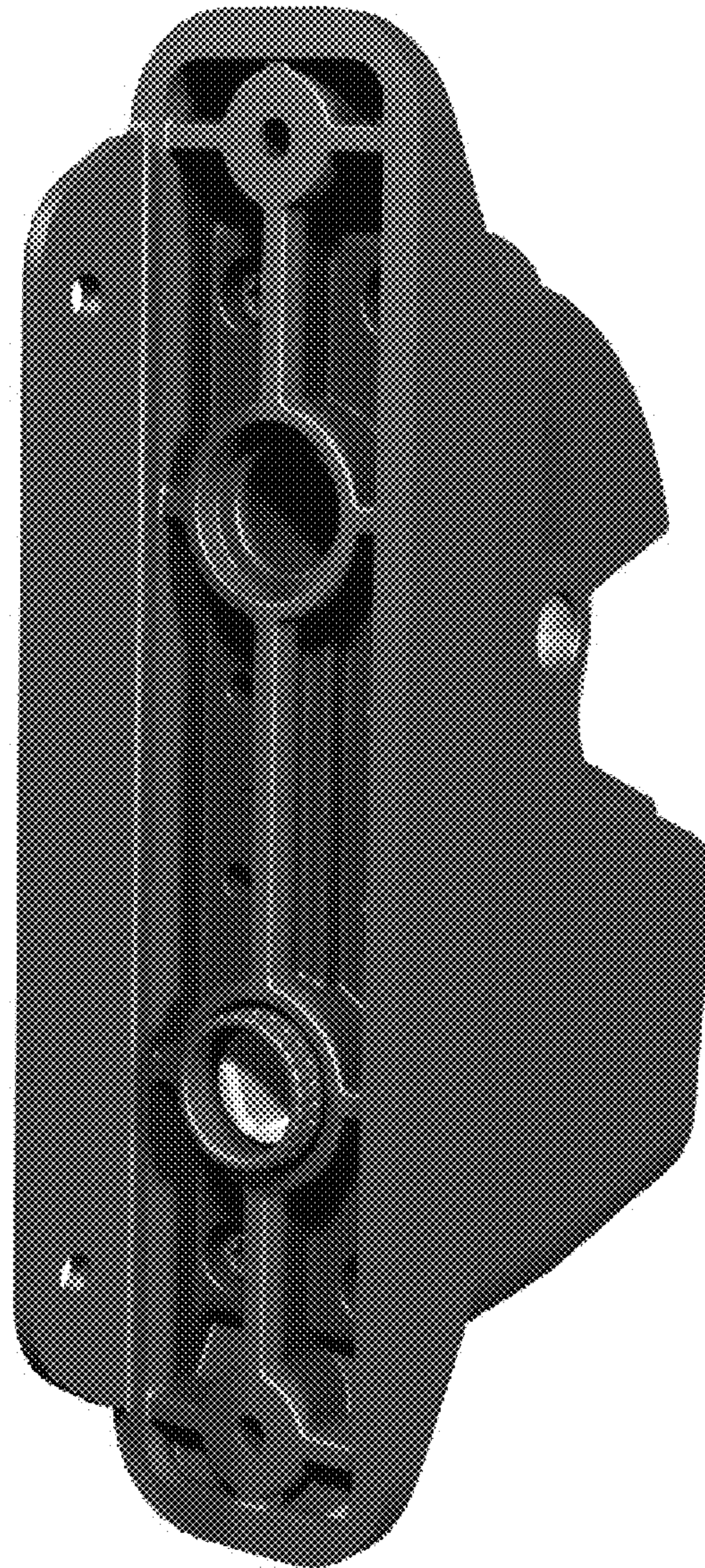


FIGURE 2

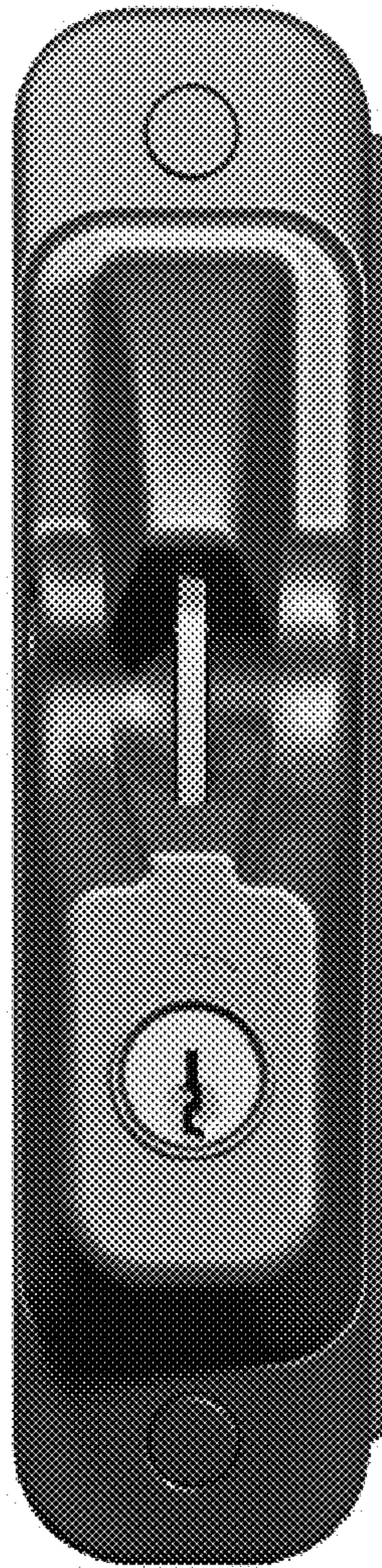


FIGURE 3

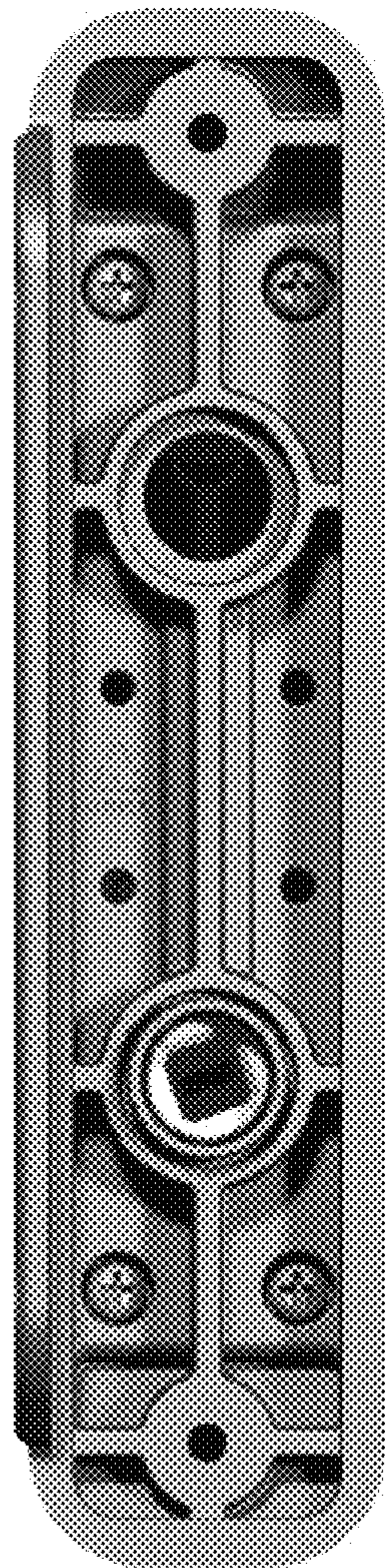


FIGURE 4

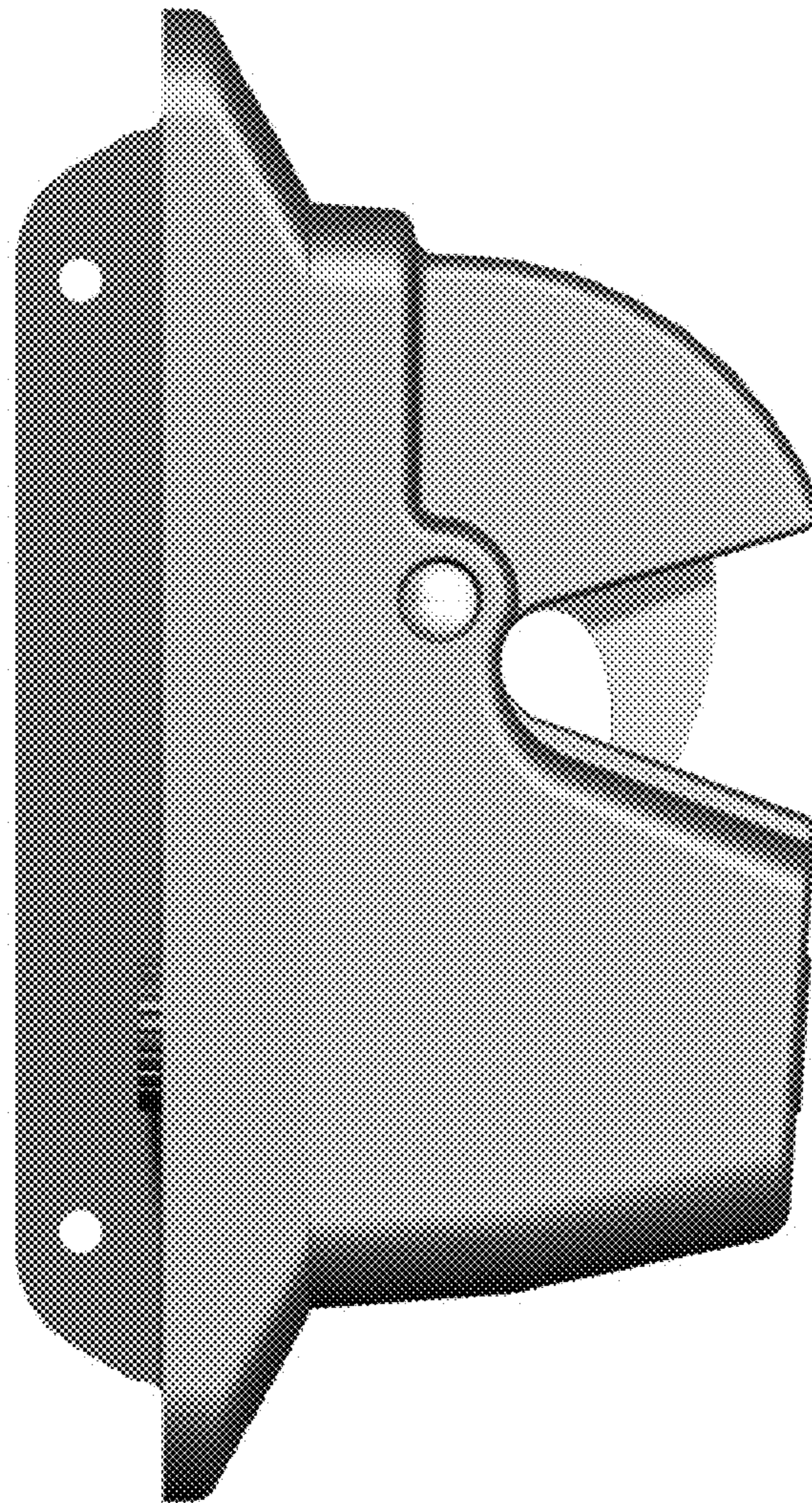


FIGURE 5

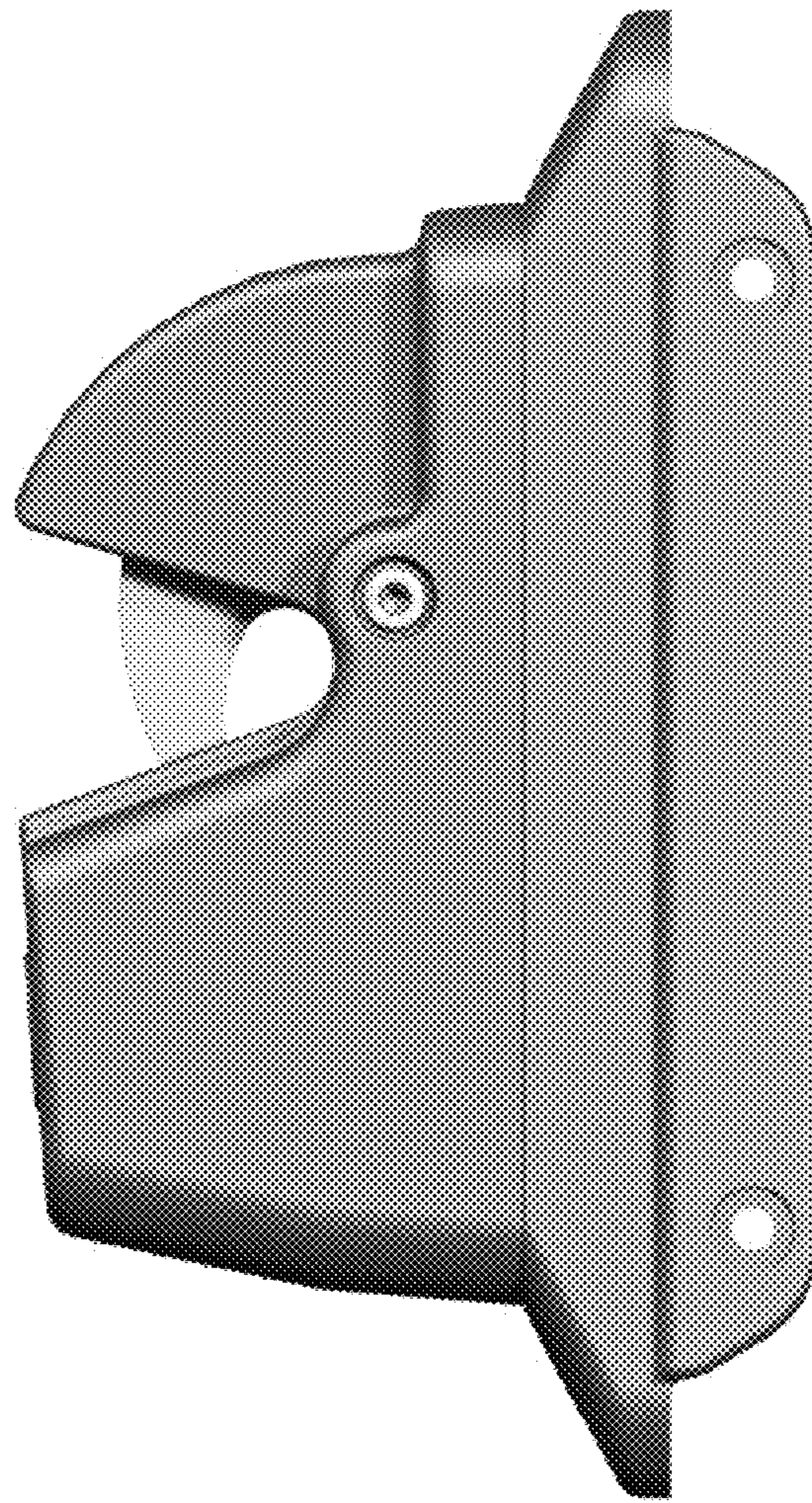


FIGURE 6

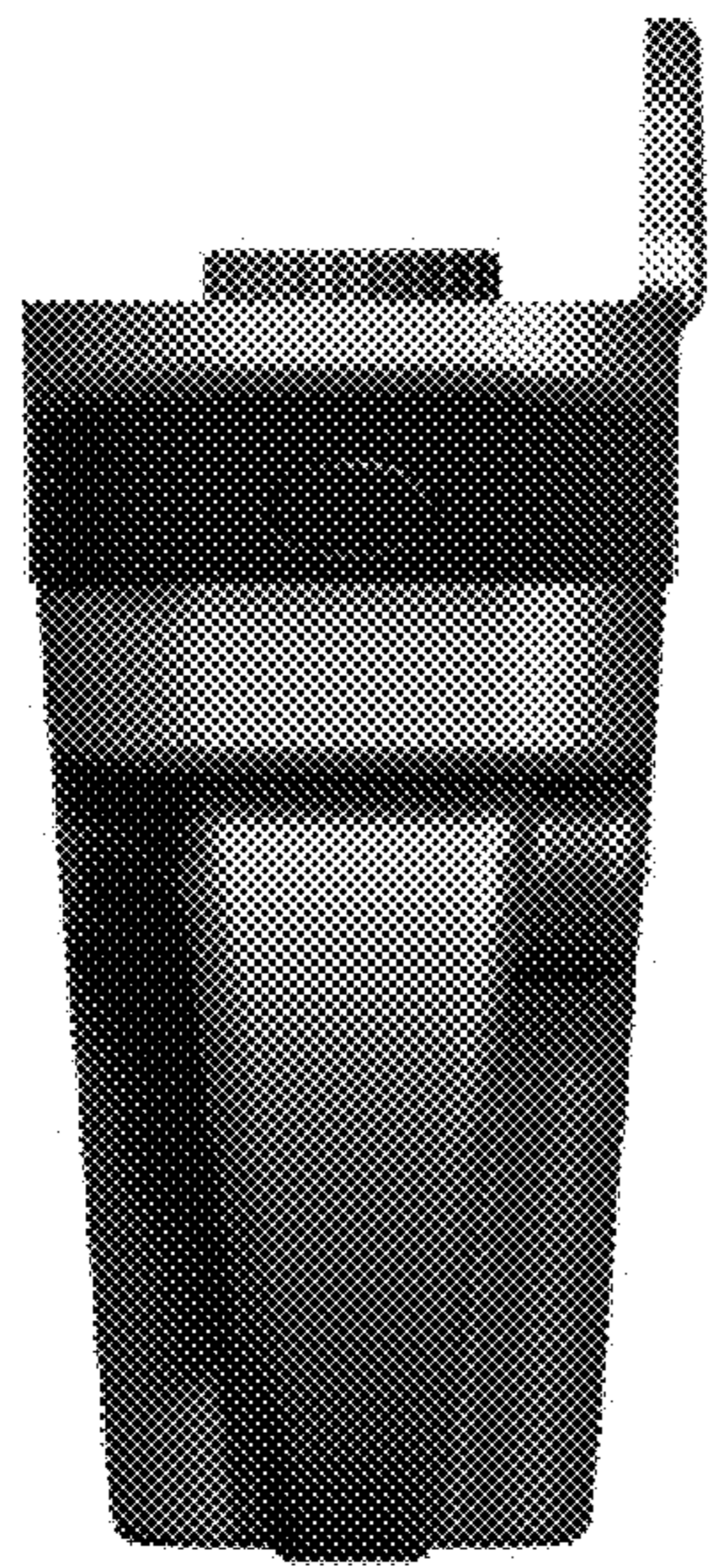


FIGURE 7



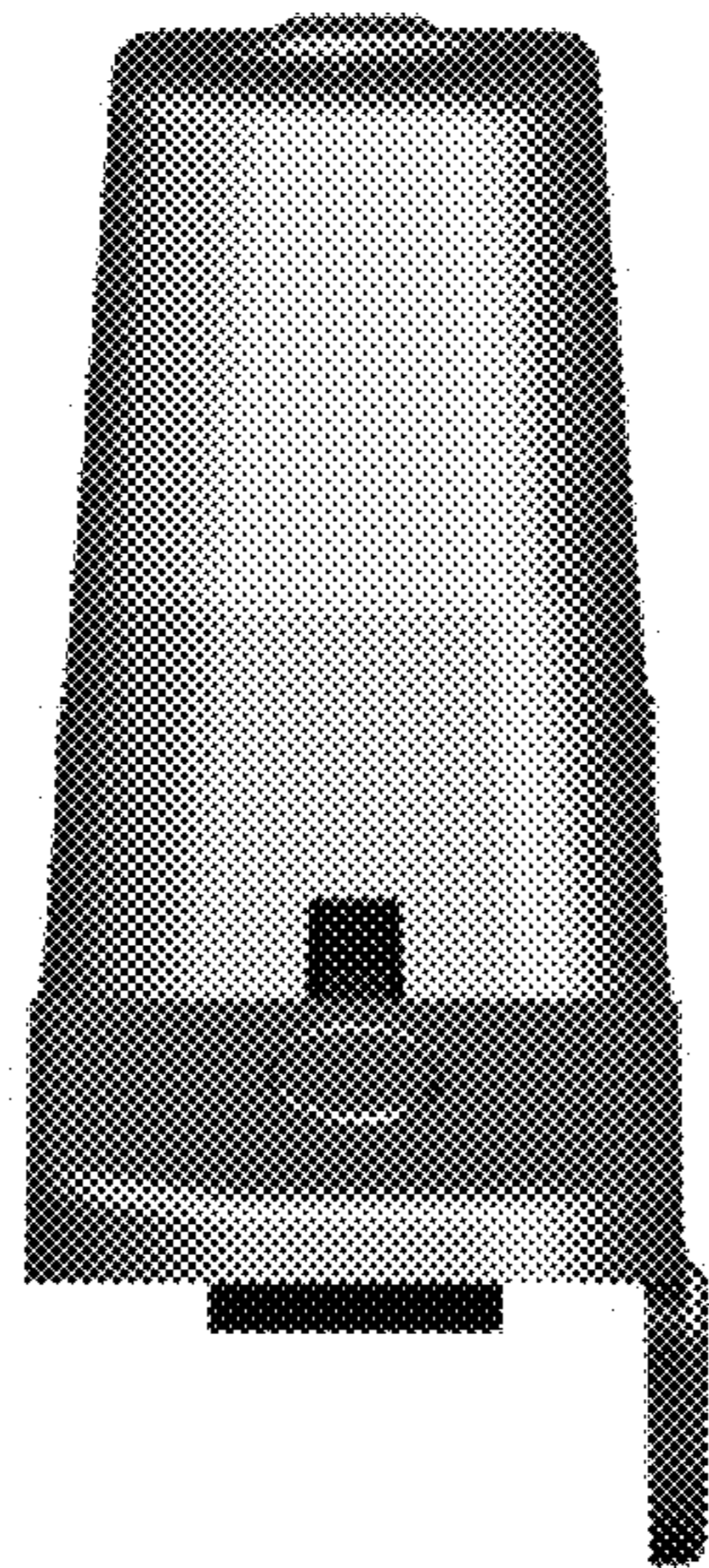


FIGURE 8