



US00D556538S

(12) **United States Design Patent**
Weinerman et al.

(10) **Patent No.:** **US D556,538 S**

(45) **Date of Patent:** **** Dec. 4, 2007**

(54) **FRONT PORTIONS OF A STEPPED RECESS HOUSING ASSEMBLY**

(75) Inventors: **Lee S. Weinerman**, Medina, OH (US);
Scott A. Arthurs, Brunswick, OH (US)

(73) Assignee: **The Eastern Company**, Cleveland, OH (US)

(**) Term: **14 Years**

(21) Appl. No.: **29/286,436**

(22) Filed: **May 4, 2007**

Related U.S. Application Data

(62) Division of application No. 29/256,874, filed on Mar. 27, 2006, now Pat. No. Des. 549,551.

(51) **LOC (8) Cl.** **08-07**

(52) **U.S. Cl.** **D8/330**

(58) **Field of Classification Search** D8/330-348;
70/141, 208; 292/336.3, 169, 358, 359, 170,
292/175, 165, 224, 140-143, 240-242
See application file for complete search history.

(56) **References Cited**

U.S. PATENT DOCUMENTS

1,558,980 A	10/1925	Halinka	292/166
2,317,700 A	4/1943	Thompson	292/254
2,642,300 A	6/1953	Pelcin	292/173
2,668,076 A	2/1954	Troche et al.	292/336.3
2,735,706 A	2/1956	Pelcin	292/34
3,209,564 A	10/1965	Pelcin	70/148
4,320,642 A	3/1982	Pastva, Jr.	70/472
4,370,874 A	2/1983	Munn	70/204
4,706,478 A	11/1987	Swan et al.	70/208
4,989,907 A	2/1991	Edmonds et al.	292/223
5,015,019 A	5/1991	Razdolsky	292/200
D323,776 S	2/1992	Hansen	D8/338
D328,231 S	7/1992	Hansen	D8/301
5,526,660 A	6/1996	Bennett et al.	70/208
D390,770 S	2/1998	Burnley	D8/331
5,984,383 A	11/1999	Parikh et al.	292/121
D427,882 S	7/2000	Wytcherley et al.	D8/331
D442,844 S	5/2001	Mirick	D8/301

6,349,577 B1	2/2002	Hansen et al.	70/159
D457,799 S	5/2002	Weinerman et al.	D8/301
D459,973 S	7/2002	Weinerman et al.	D8/301
D460,680 S	7/2002	Weinerman et al.	D8/353
6,454,321 B1	9/2002	Parikh	292/216
D465,142 S	11/2002	Weinerman et al.	D8/353
D465,399 S	11/2002	Weinerman et al.	D8/302
D469,331 S	1/2003	Hansen	D8/306
D469,678 S	2/2003	Teskey	D8/301
6,623,052 B2	9/2003	Hansen	292/336.3
6,651,467 B1	11/2003	Weinerman et al.	70/208
6,666,053 B2	12/2003	Sadler	70/210
D505,310 S	5/2005	Lorusso	D8/302
6,952,940 B2	10/2005	Molzer et al.	70/210
6,976,375 B2	12/2005	Minix	70/208
D520,336 S	5/2006	Hansen	D8/321
D520,851 S	5/2006	Hansen	D8/306
D533,048 S *	12/2006	Weinerman et al.	D8/331
D536,949 S *	2/2007	Weinerman et al.	D8/331

* cited by examiner

Primary Examiner—Mitchell Siegel

(74) *Attorney, Agent, or Firm*—David A. Burge

(57) **CLAIM**

We claim the ornamental design for front portions of a stepped recess housing assembly, as shown and described.

DESCRIPTION

FIG. 1 is a perspective view showing principally front, left and bottom areas of our new design;

FIG. 2 is a perspective view showing principally front, right and top areas thereof;

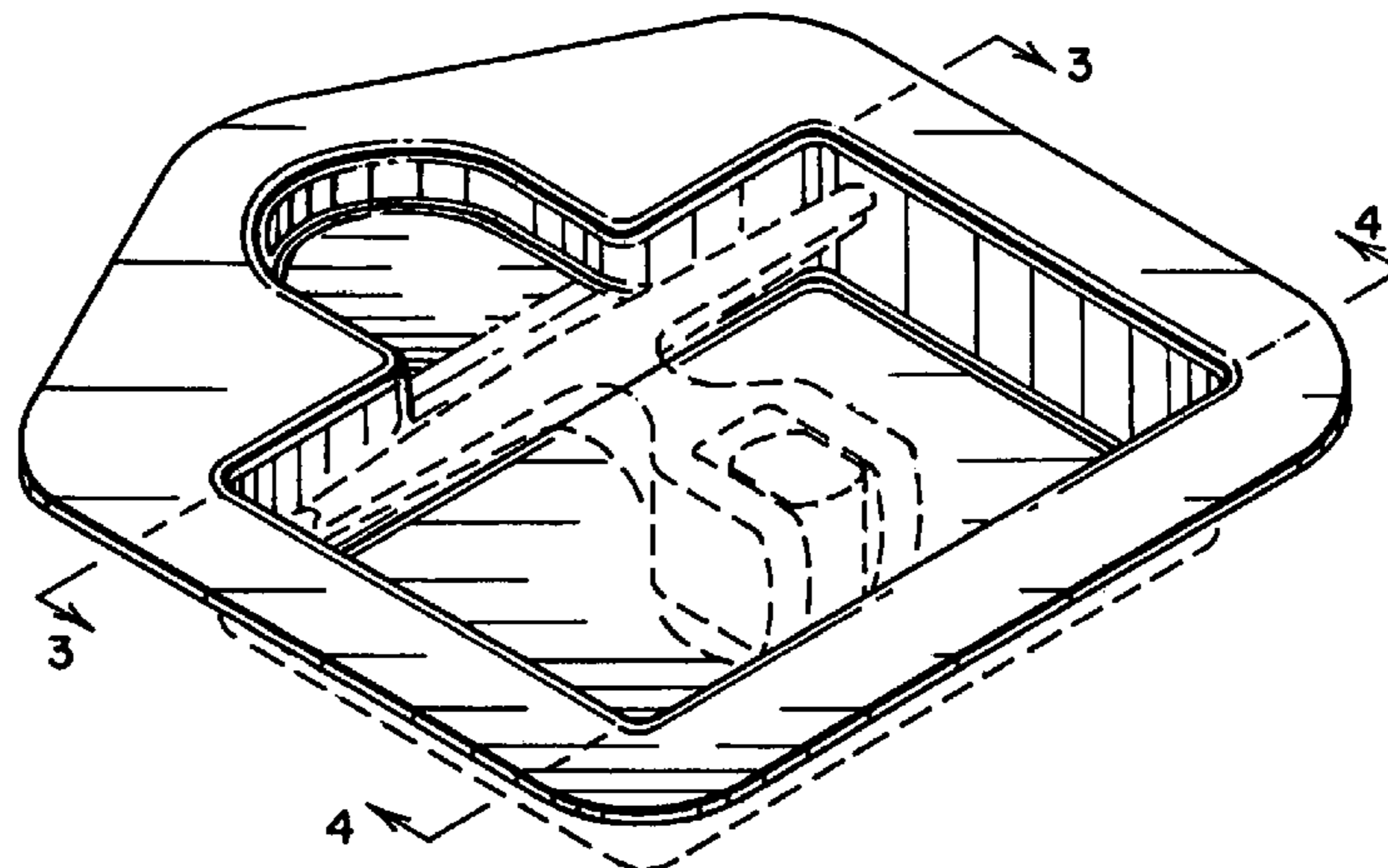
FIG. 3 is a sectional view as seen from a plane indicated by a line 3—3 in FIG. 1;

FIG. 4 is a sectional view as seen from a plane indicated by a line 4—4 in FIG. 1; and,

FIG. 5 is a sectional view as seen from a plane indicated by a line 5—5 in FIG. 2.

The broken lines are for illustrative purposes only and form no part of the claimed design.

1 Claim, 2 Drawing Sheets



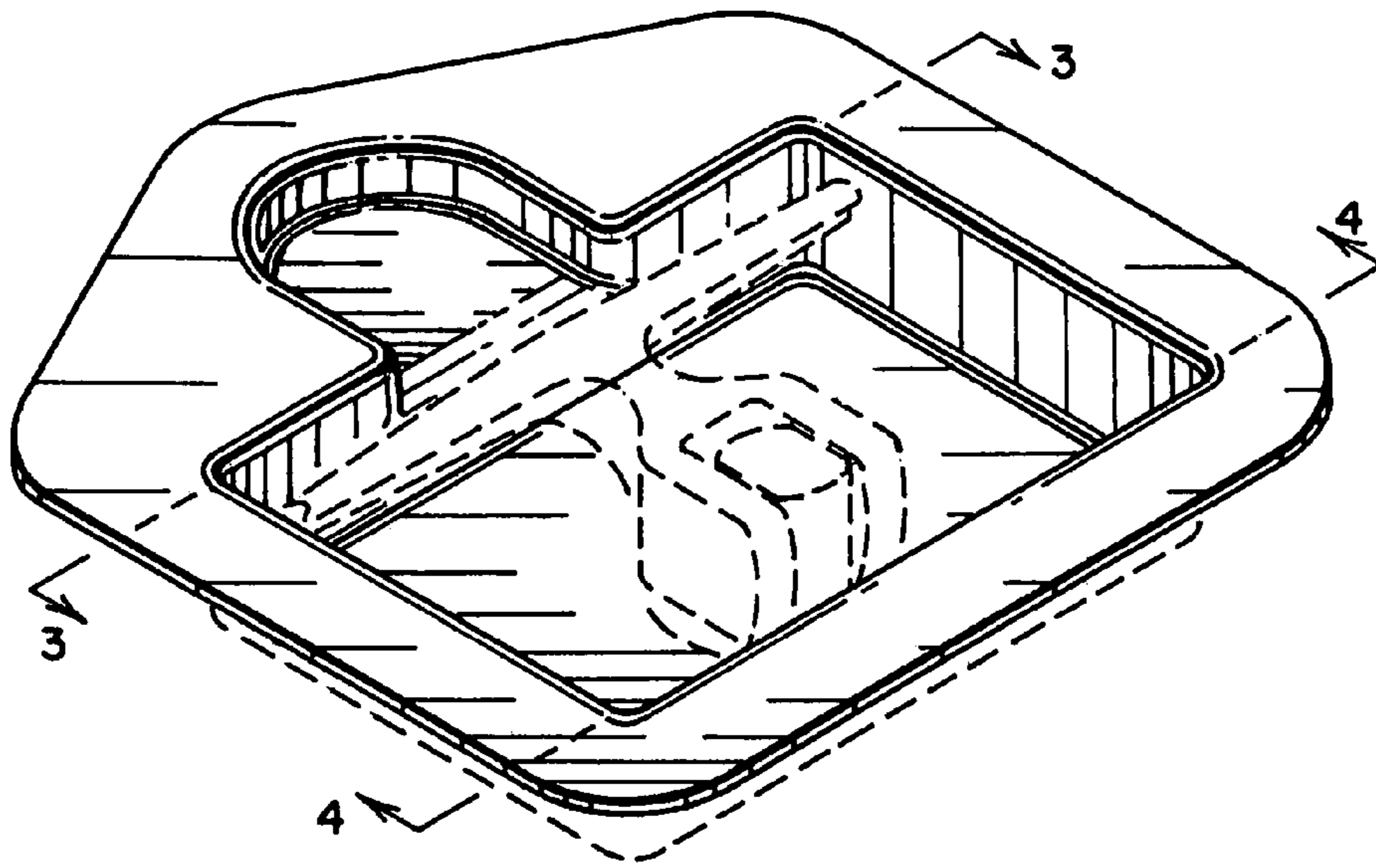


FIG. 1

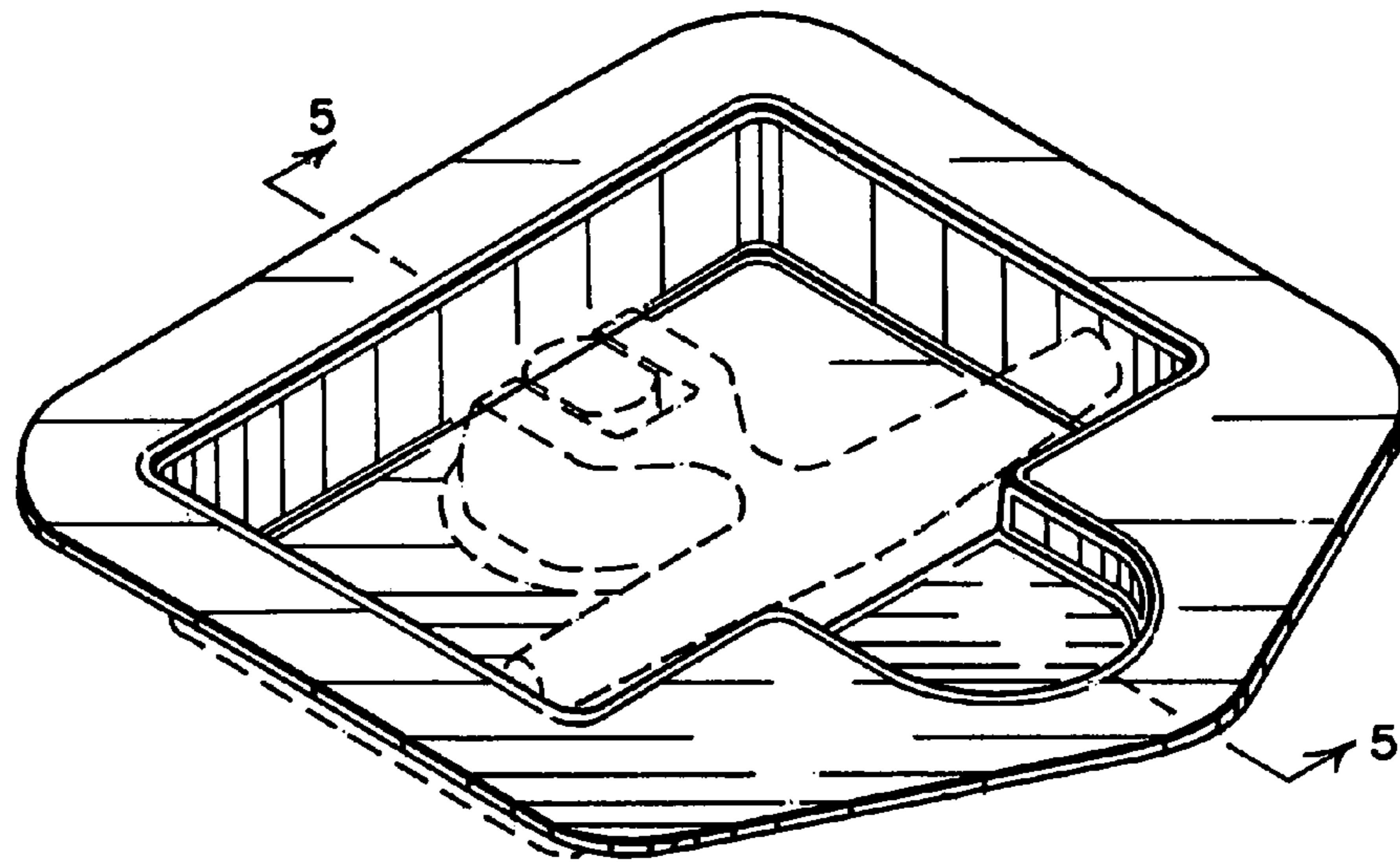


FIG. 2

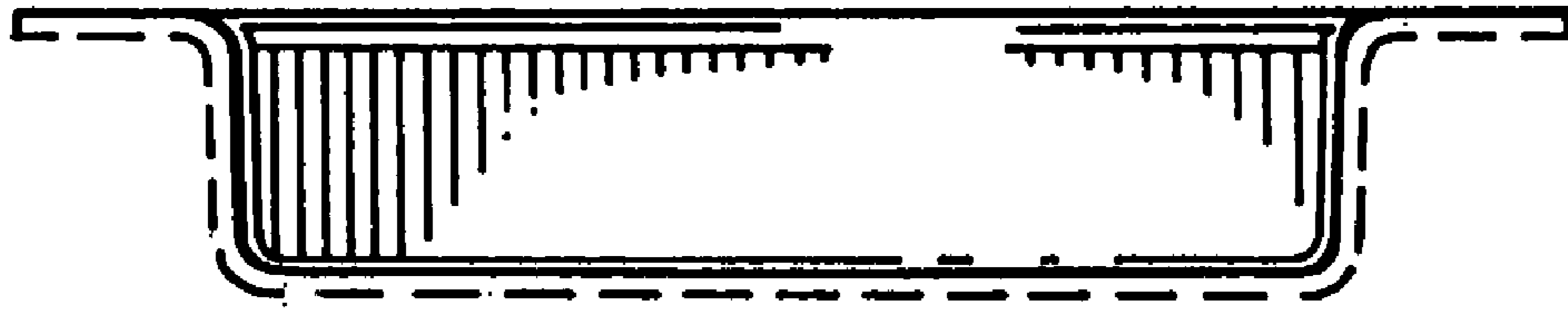


FIG. 3

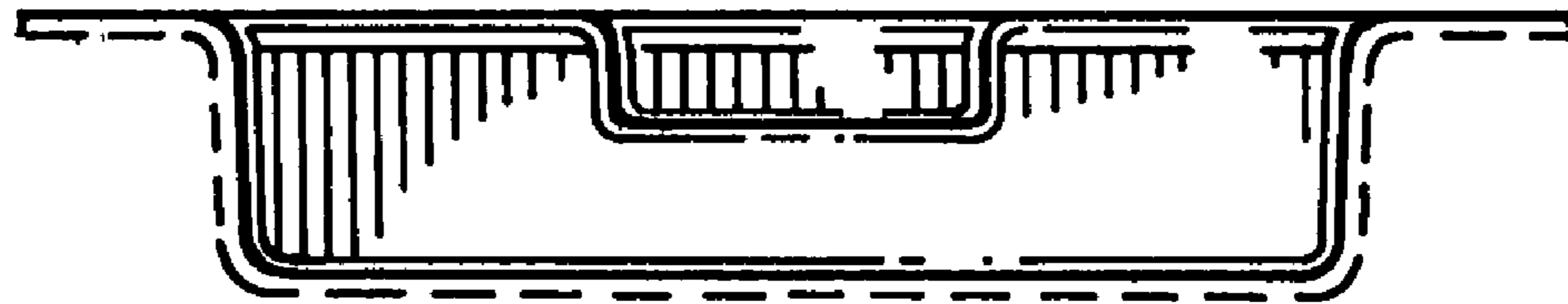


FIG. 4



FIG. 5