



US00D556535S

(12) **United States Design Patent** (10) **Patent No.:** **US D556,535 S**  
**Aglassinger** (45) **Date of Patent:** **\*\* Dec. 4, 2007**

(54) **HANDLE**

(75) Inventor: **Hans-Peter Aglassinger**, Esslingen (DE)

(73) Assignee: **Robert Bosch GmbH**, Stuttgart (DE)

(\*\*) Term: **14 Years**

(21) Appl. No.: **29/276,141**

(22) Filed: **Jan. 17, 2007**

**Related U.S. Application Data**

(62) Division of application No. 29/259,199, filed on May 4, 2006, now Pat. No. Des. 543,085.

**Foreign Application Priority Data**

Dec. 12, 2005 (EP) ..... 000448147

(51) **LOC (8) Cl.** ..... **08-06**

(52) **U.S. Cl.** ..... **D8/107**

(58) **Field of Classification Search** ..... D24/146,  
D24/133; D21/809, 237, 803; D12/316,  
D12/317, 318, 307, 223; D9/311; D4/104,  
D4/137, 138; D22/118; D8/1, 8, 362, 316,  
D8/317, 45, 107, 70, 68; 441/23, 30, 129-131;  
16/110.1, 422, 426, 430; 81/489, 488, 177.1;  
242/405.3, 588.2, 395

See application file for complete search history.

(56) **References Cited**

**U.S. PATENT DOCUMENTS**

D403,939 S \* 1/1999 Zurwelle ..... D8/87

D431,766 S \* 10/2000 Zurwelle ..... D8/67  
D460,336 S \* 7/2002 Pretzell ..... D8/69  
D463,238 S \* 9/2002 Schoen et al. .... D8/70  
D467,484 S \* 12/2002 Schoen et al. .... D8/70  
6,776,244 B2 \* 8/2004 Milbourne ..... 173/170  
D501,385 S \* 2/2005 Cheung et al. .... D8/68  
D502,375 S \* 3/2005 Aglassinger ..... D8/68  
D518,347 S \* 4/2006 Corcoran ..... D8/69  
D523,308 S \* 6/2006 Corcoran ..... D8/62

\* cited by examiner

*Primary Examiner*—Cathron Brooks

*Assistant Examiner*—Barbara Fox

(74) *Attorney, Agent, or Firm*—Michael J. Striker

(57) **CLAIM**

The ornamental design for a handle, as shown and described.

**DESCRIPTION**

FIG. 1 is a front perspective view of a handle showing my new design;

FIG. 2 is a side view thereof;

FIG. 3 is the opposite side view thereof;

FIG. 4 is a front view thereof;

FIG. 5 is a rear view thereof;

FIG. 6 is a top view thereof; and,

FIG. 7 is a bottom view thereof.

The name Bosch displayed on the handle is a trademark owned by Robert Bosch GmbH.

**1 Claim, 3 Drawing Sheets**

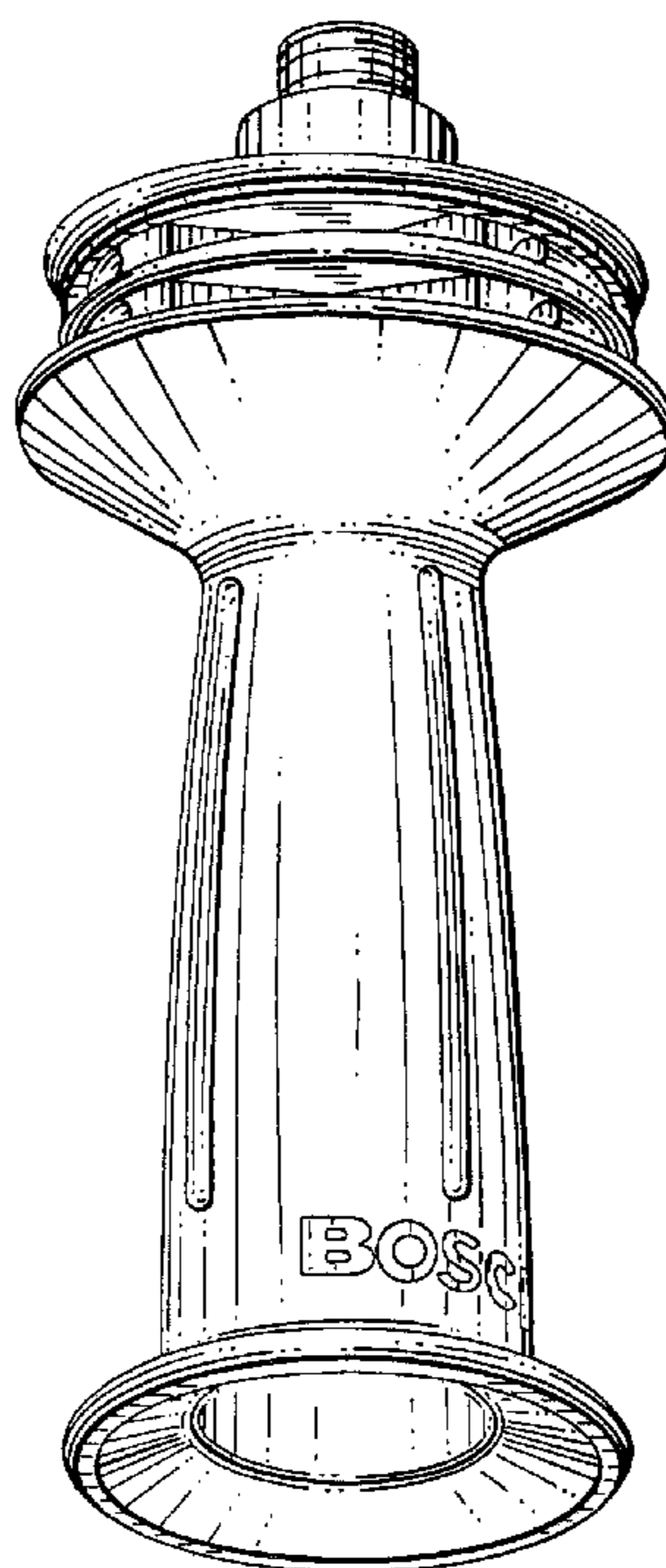


FIG. 1

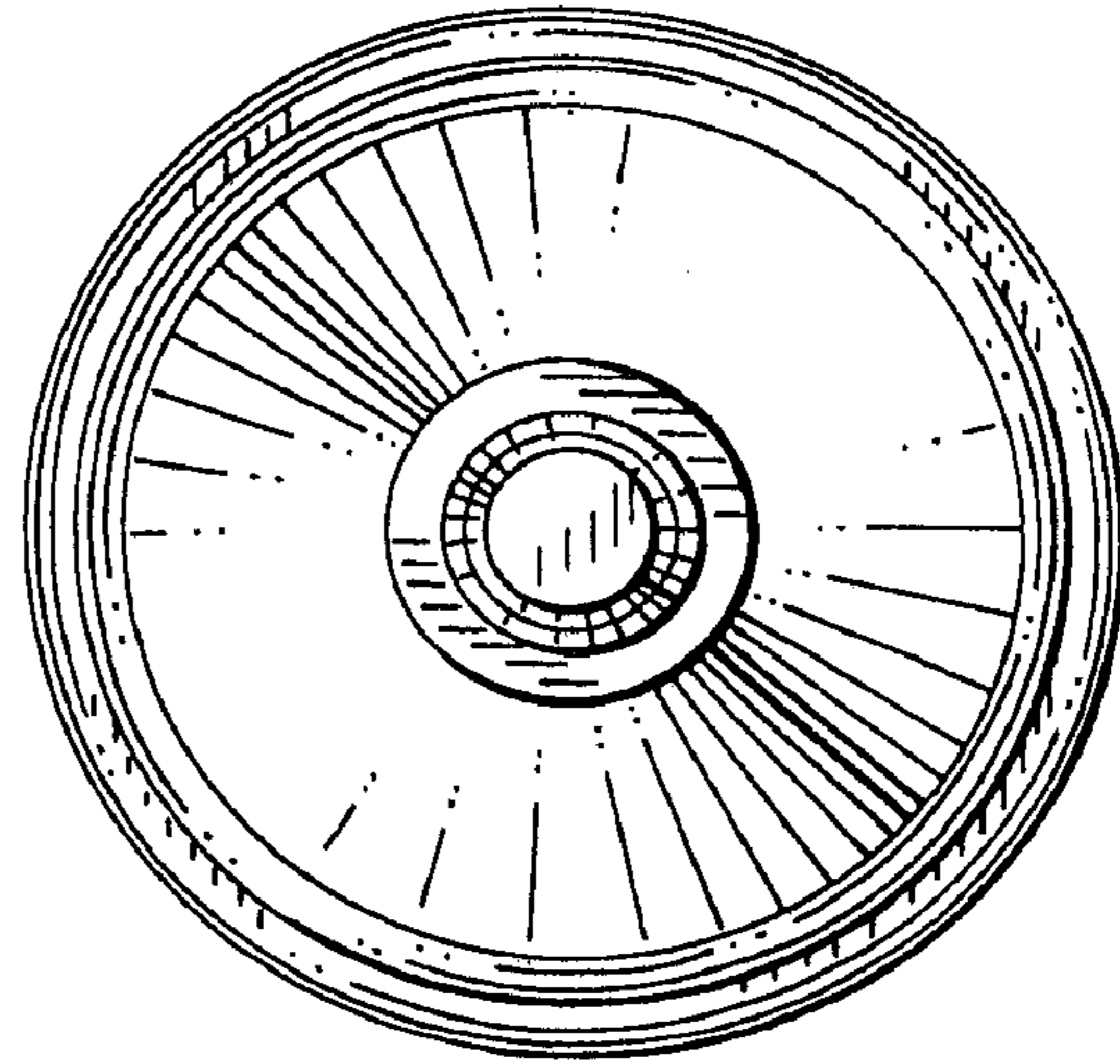
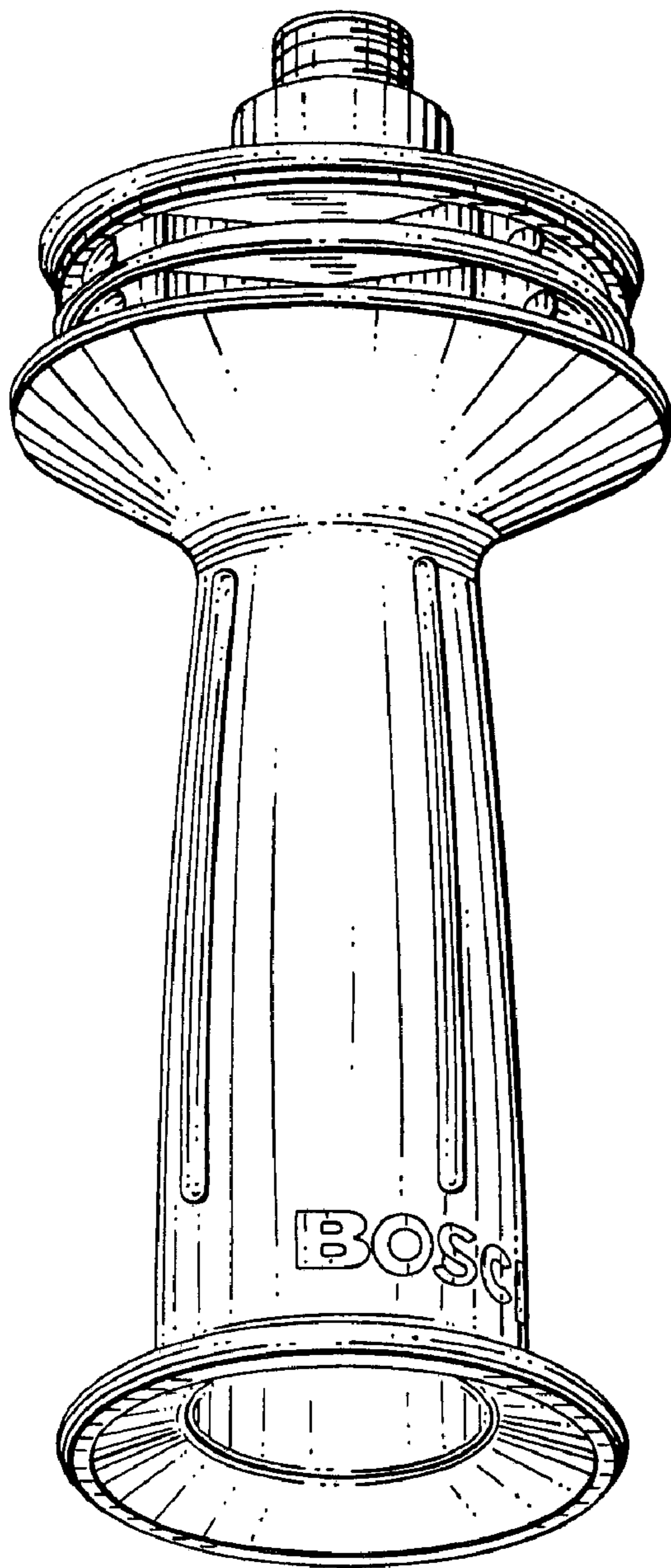


FIG. 6

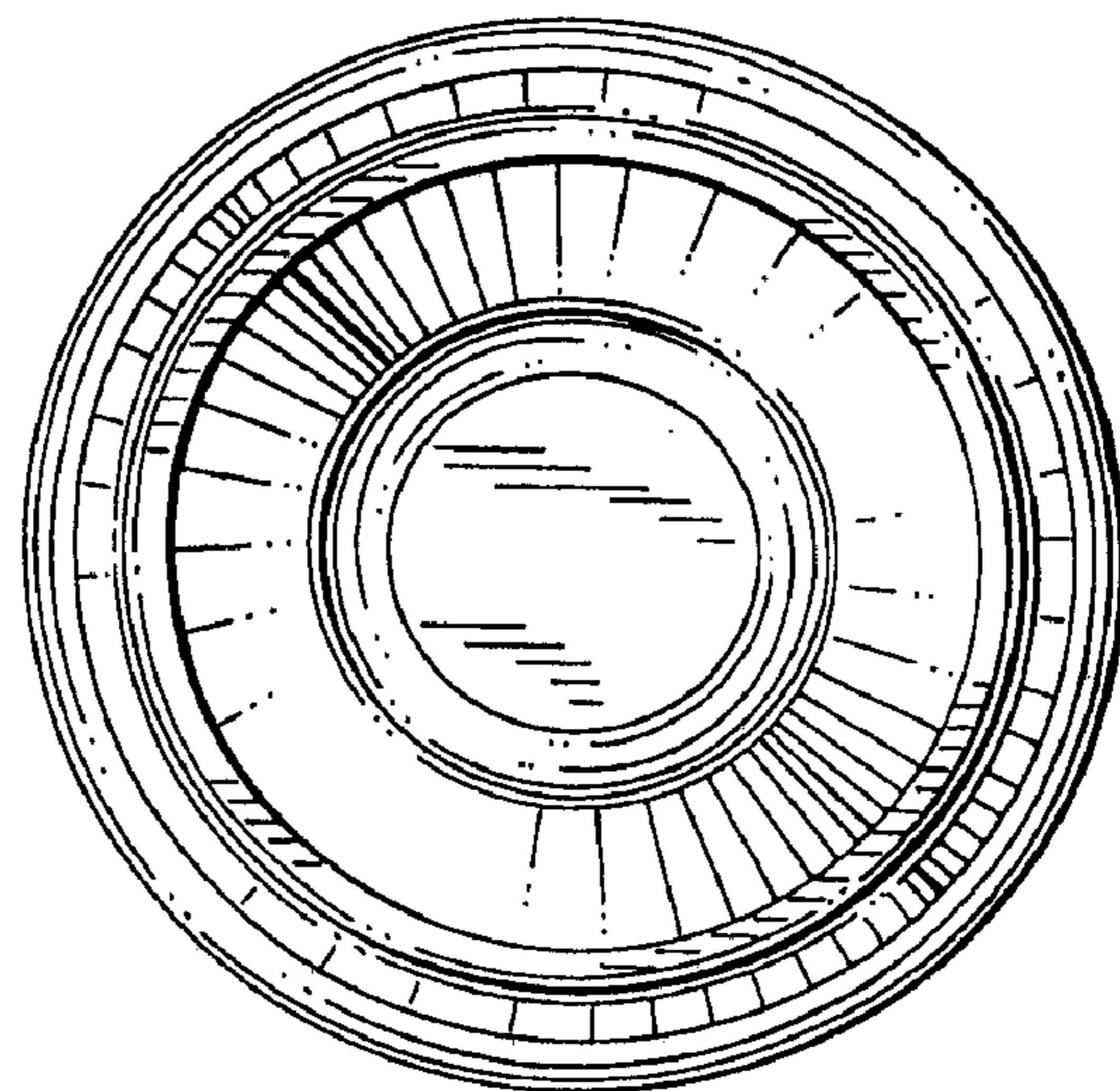


FIG. 7

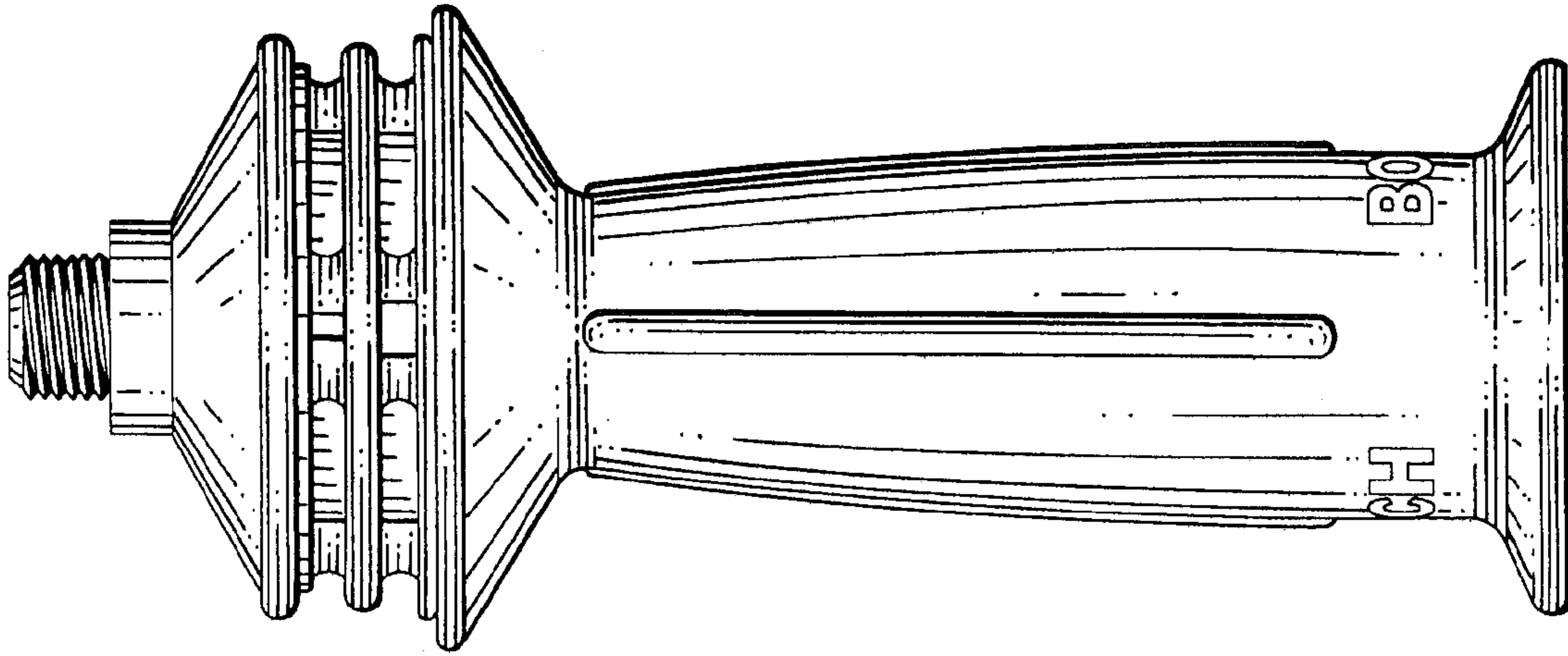


FIG. 3

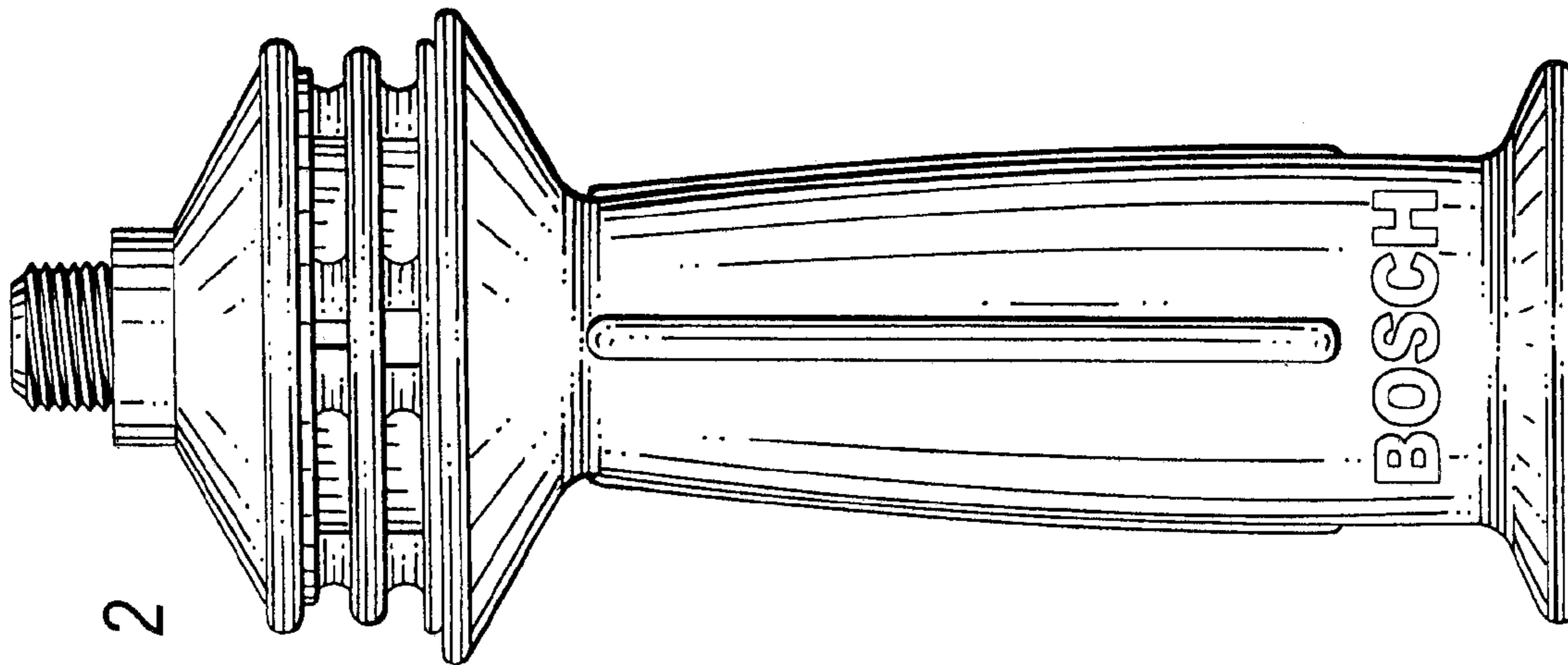


FIG. 2

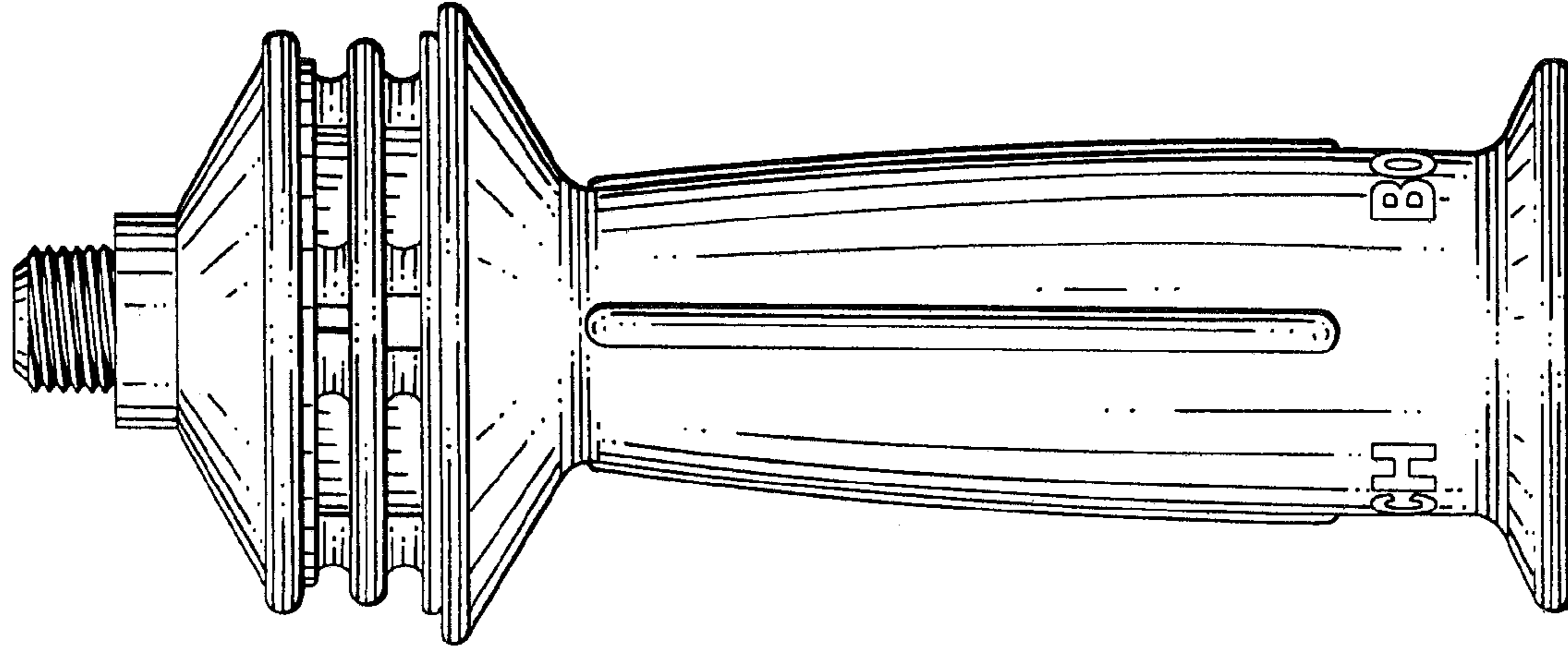


FIG. 5

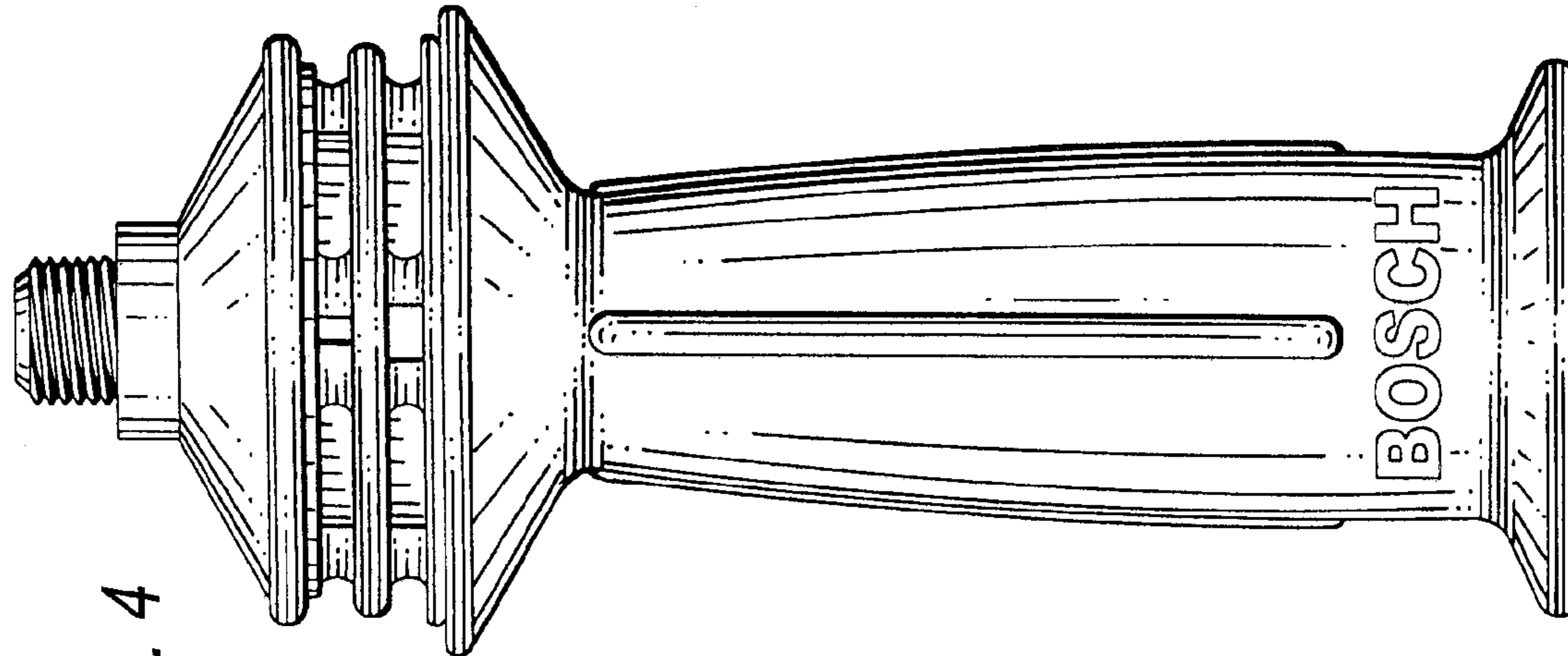


FIG. 4