



US00D556534S

(12) **United States Design Patent**
Henke et al.

(10) **Patent No.:** **US D556,534 S**
(45) **Date of Patent:** **** Dec. 4, 2007**

(54) **SANDER TOOL WITH PIVOTING HANDLE**

4,475,262 A 10/1984 Downer
4,516,360 A 5/1985 Gringer et al.
4,516,361 A 5/1985 Gringer

(75) Inventors: **David R. Henke**, Maple Grove, MN
(US); **Thomas Grimm**, Robbinsdale,
MN (US)

(Continued)

(73) Assignee: **Warner Manufacturing Company**,
Minneapolis, MN (US)

OTHER PUBLICATIONS

U.S. Appl. No. 29/255,203.
U.S. Appl. No. 11/372,622.

(**) Term: **14 Years**

Primary Examiner—Philip S. Hyder

(21) Appl. No.: **29/255,227**

(74) *Attorney, Agent, or Firm*—Hamre, Schumann, Mueller
& Larson, P.C.

(22) Filed: **Mar. 6, 2006**

(57) **CLAIM**

(51) **LOC (8) Cl.** **08-05**

The ornamental design for a sander tool with pivoting
handle, as shown and described.

(52) **U.S. Cl.** **D8/90**

(58) **Field of Classification Search** D8/90,
D8/91, 92, 93, 107; 451/513, 514, 515, 522,
451/524, 525, 516

DESCRIPTION

See application file for complete search history.

FIG. 1 is a perspective view of a sander tool with pivoting
handle showing our new design;

(56) **References Cited**

FIG. 2 is a top plan view thereof;

U.S. PATENT DOCUMENTS

FIG. 3 is a front elevational view thereof;

1,544,368 A	6/1925	Brennan
1,966,633 A	7/1934	Lee
2,201,645 A	5/1940	Epner
2,334,039 A	11/1943	Rueb
2,437,827 A	3/1948	Lund
2,454,668 A	11/1948	Nissenbaum
2,663,979 A	12/1953	Sierchio
2,711,059 A	6/1955	Ames
2,954,649 A	10/1960	Carroll et al.
3,123,946 A	3/1964	Hoveland
3,224,149 A	12/1965	Harrington et al.
3,231,917 A	2/1966	Reed
3,362,037 A	1/1968	Griffin
3,483,662 A	12/1969	Ames
3,498,009 A	3/1970	Taafe
3,850,533 A	11/1974	Thielen
3,991,431 A	11/1976	Thielen
4,221,084 A	9/1980	Frantzen
4,225,998 A	10/1980	Thielen

FIG. 4 is a right side elevational view thereof; and,

FIG. 5 is a perspective view of a sander tool showing an
alternate position of a pivot pole connector.

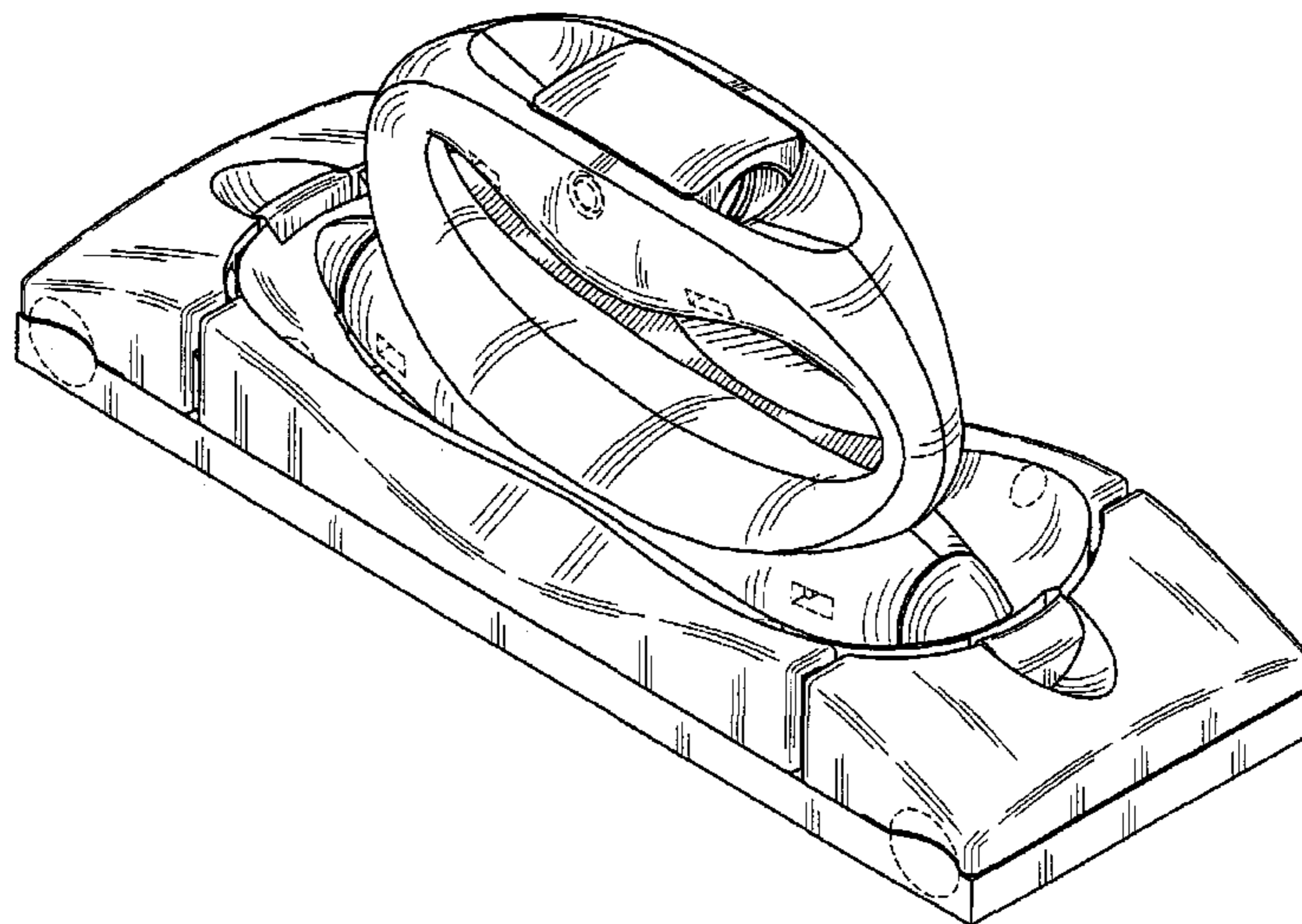
The left side elevation view is not shown as it is identical to
the right side elevational.

The rear elevational view of the sander tool is identical to the
front elevation, and thus is not shown.

The bottom plan view is not shown as the bottom of the
sander tool is planar and has no distinguishing ornamental
features.

The broken line showing of the pole in FIG. 5 is included for
the purpose of illustrating environmental structure and forms
no part of the claimed design. The broken line showings of
the various details form no part of the claimed design.

1 Claim, 5 Drawing Sheets



US D556,534 S

Page 2

U.S. PATENT DOCUMENTS

4,658,461	A	4/1987	Roe et al.				
4,885,876	A	12/1989	Henke				
4,937,984	A	7/1990	Taranto				
D310,012	S *	8/1990	Henke et al.	D8/90		
5,103,599	A	4/1992	Carlson				
5,168,672	A *	12/1992	Gregoire, Sr.	451/502		
5,293,662	A	3/1994	Newman, Sr. et al.				
D346,944	S	5/1994	Poole	D8/90		
5,319,888	A	6/1994	Huber et al.				
D349,635	S	8/1994	Berti et al.				
5,338,128	A	8/1994	Blanco				
5,428,865	A	7/1995	Yarbrough				
5,474,490	A	12/1995	Allport				
D369,080	S	4/1996	Tollis	D8/90		
5,512,010	A *	4/1996	Labad, Jr.	451/344		
5,588,904	A	12/1996	Allport				
5,718,622	A	2/1998	Jones				
5,876,141	A	3/1999	Hsu				
5,902,176	A *	5/1999	Chen	451/524		
6,095,911	A	8/2000	Edens				
6,227,959	B1	5/2001	Beaudry				
6,305,043	B1	10/2001	Rosnak				
6,379,237	B1	4/2002	Gordon				
D462,597	S *	9/2002	Deshler	D8/90		
6,524,175	B2	2/2003	Beaudry et al.				
D477,764	S *	7/2003	Magann	D8/90		
6,634,937	B1 *	10/2003	Edwards et al.	451/502		
6,641,469	B2 *	11/2003	Deshler	451/514		
6,659,852	B1	12/2003	Wettstein et al.				
6,722,967	B1	4/2004	Oddo et al.				
6,889,917	B2	5/2005	Fahy et al.				
6,935,936	B2 *	8/2005	Goulet et al.	451/344		
6,942,004	B2	9/2005	Whittemore				
6,953,076	B2	10/2005	Whittemore				
D512,295	S	12/2005	Florio	D8/90		
6,988,940	B1	1/2006	Taylor				
6,991,529	B2	1/2006	Annis et al.				
7,033,259	B1	4/2006	Seasholtz et al.				
D527,240	S *	8/2006	Kirschhoffer et al.	D8/90		
D530,178	S *	10/2006	Bortz	D8/90		
7,144,300	B1 *	12/2006	Cybulski et al.	451/525		
2005/0287937	A1	12/2005	Florio				
2006/0205331	A1	9/2006	Gringer et al.				

* cited by examiner

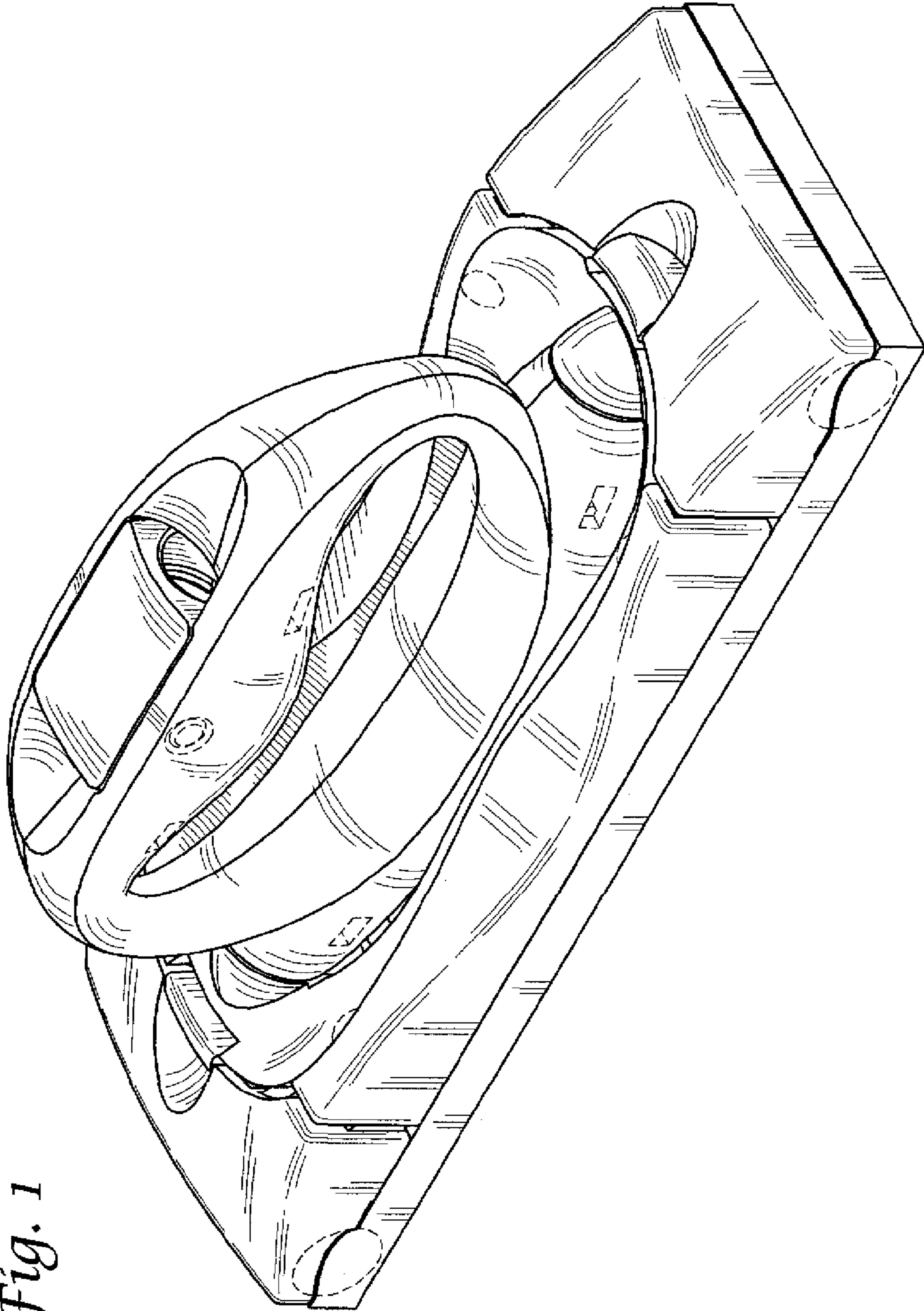


Fig. 1

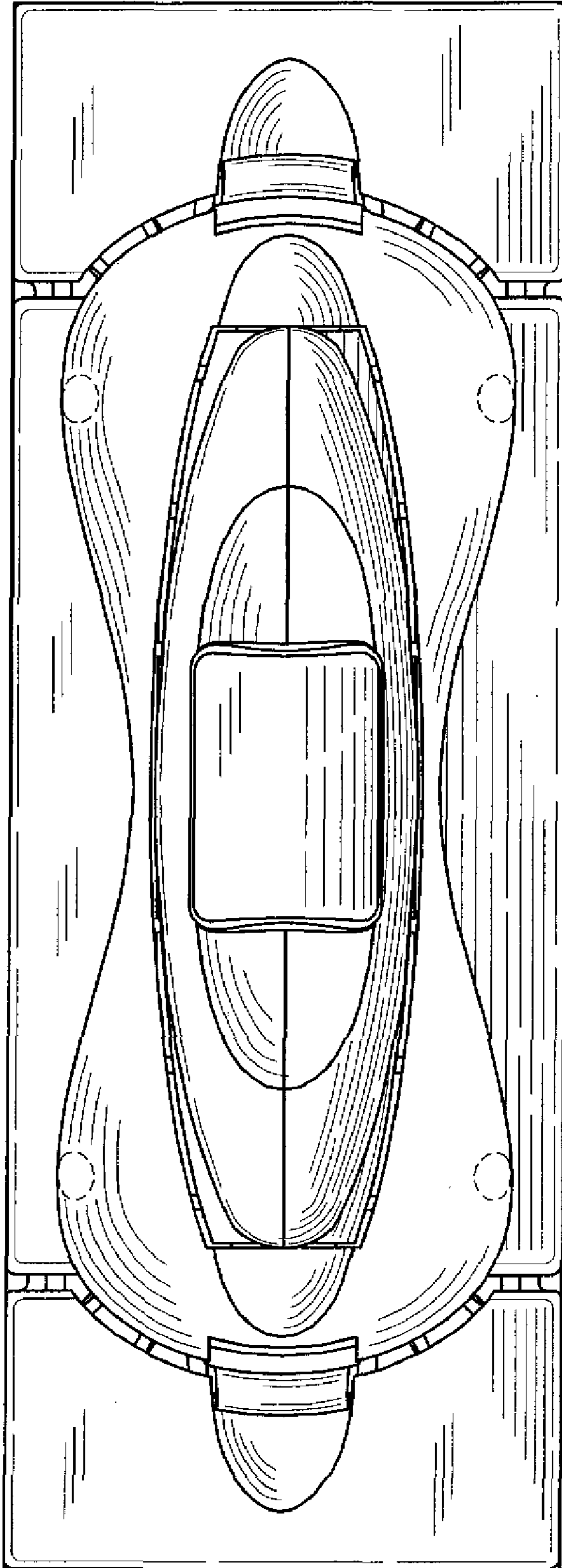


Fig. 2

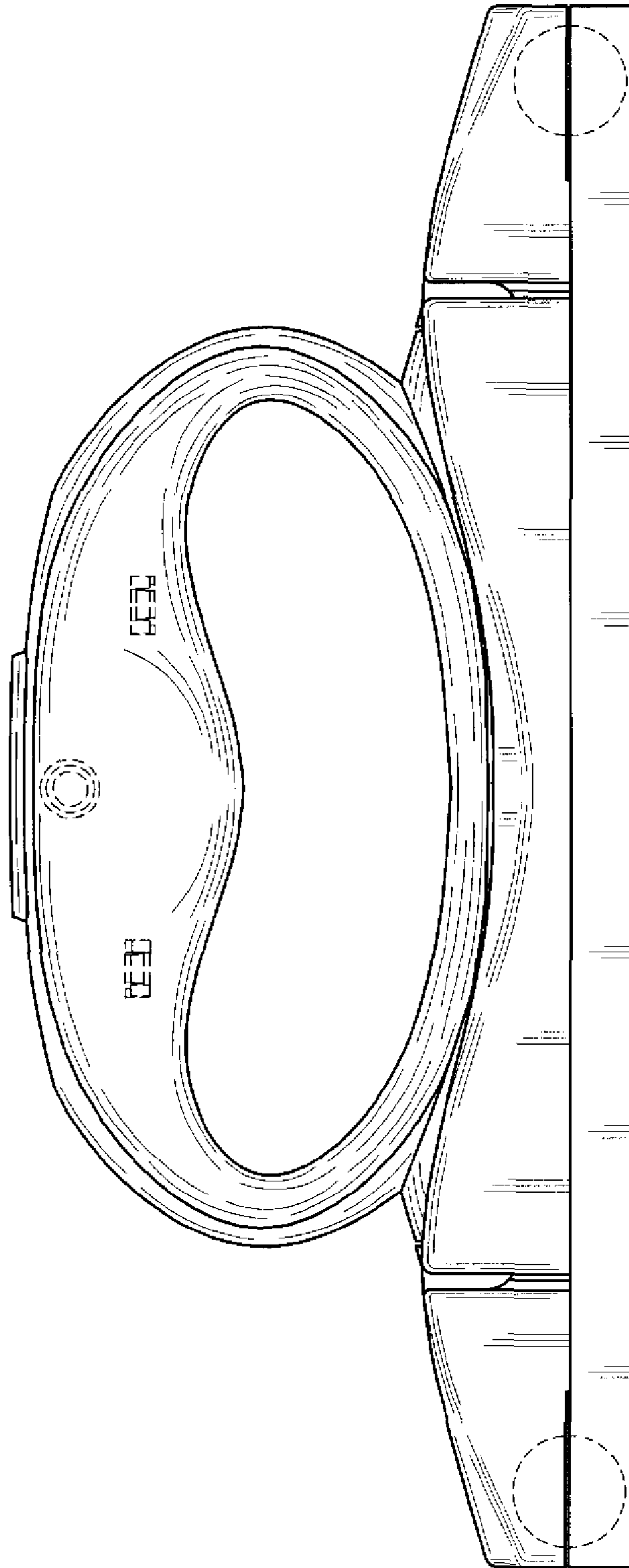


Fig. 3

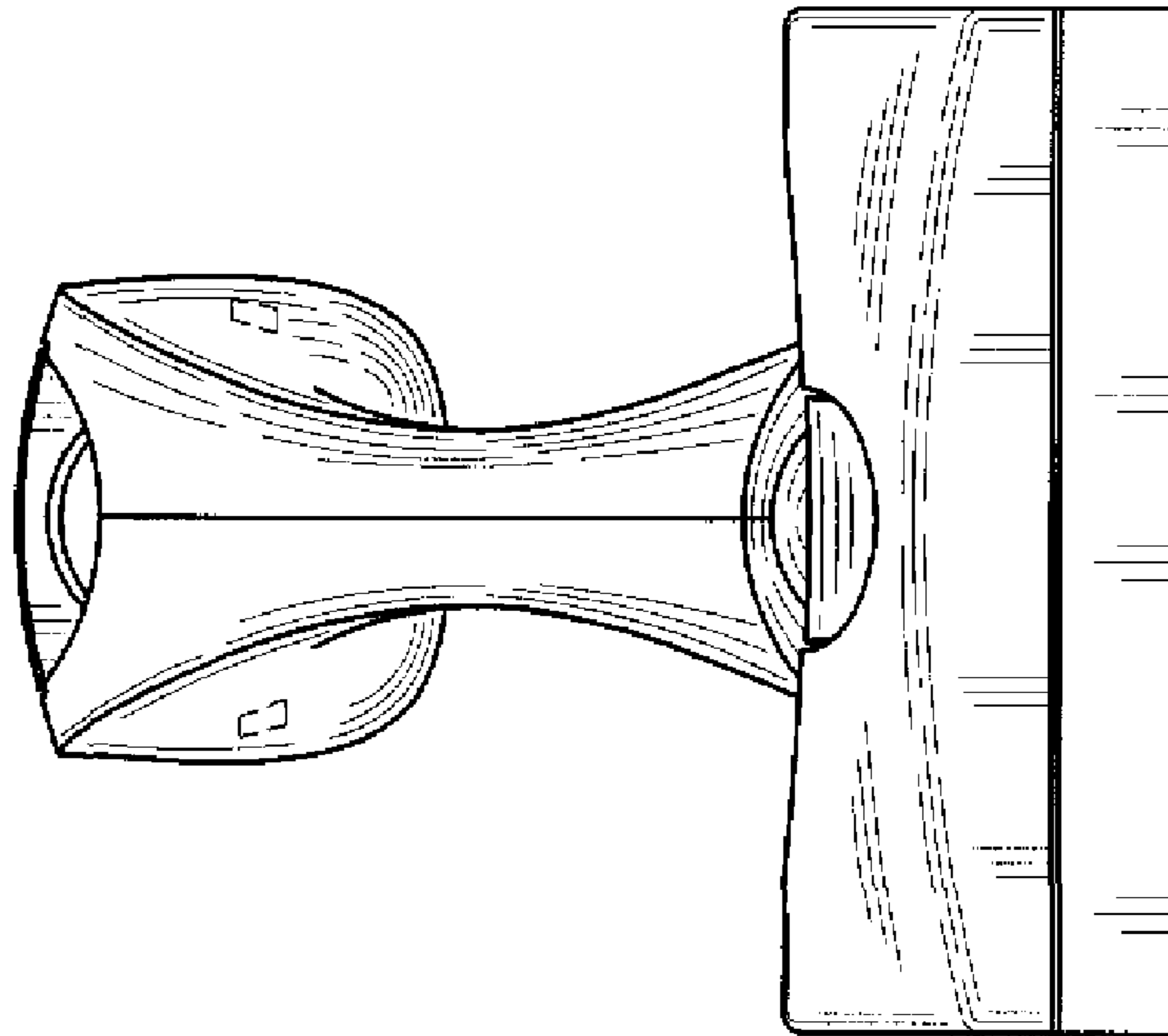


Fig. 4

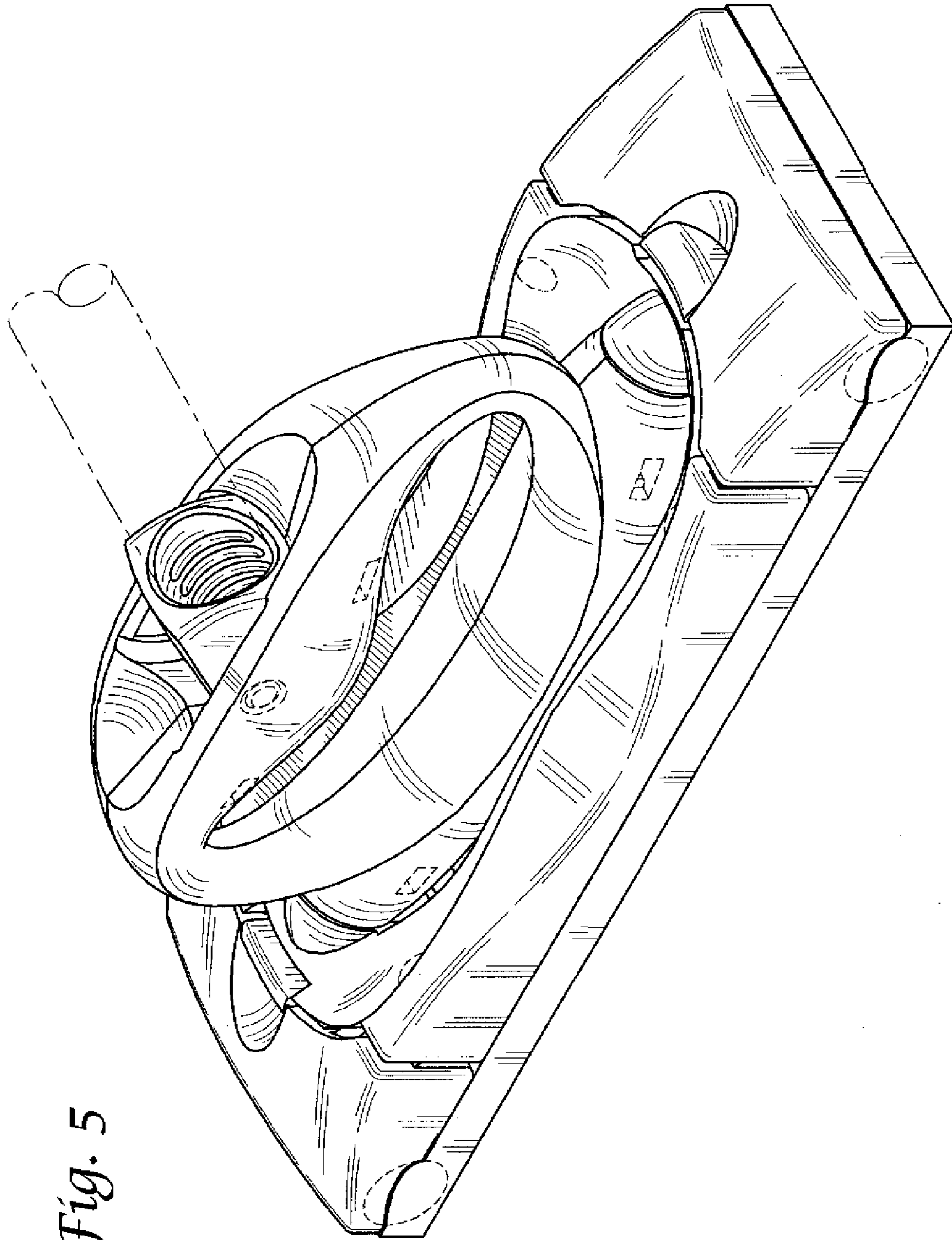


Fig. 5