



US00D556532S

(12) **United States Design Patent**
Chen

(10) **Patent No.:** **US D556,532 S**

(45) **Date of Patent:** **** Dec. 4, 2007**

(54) **HAMMERHEAD**

(76) Inventor: **Yung-Shou Chen**, 2F-1, 51, Sec. 3,
Chung Yang Rd., Chung Ho Tsuen,
Long-Ching Town, Taichung Hsien
(TW)

(**) Term: **14 Years**

(21) Appl. No.: **29/248,261**

(22) Filed: **Aug. 7, 2006**

(51) **LOC (8) Cl.** **08-02**

(52) **U.S. Cl.** **D8/78**

(58) **Field of Classification Search** D8/75,
D8/77, 78, 79, 80, 81; 7/143, 144, 145, 146;
254/26 R; 81/20, 21, 22
See application file for complete search history.

(56) **References Cited**

U.S. PATENT DOCUMENTS

D322,021 S *	12/1991	Hsu	D8/75
D452,126 S *	12/2001	Hung	D8/75
D455,626 S *	4/2002	Chen	D8/78
6,386,070 B1 *	5/2002	Hong	81/20
D468,181 S *	1/2003	Hung	D8/78
D478,266 S *	8/2003	Chen	D8/78
D505,609 S *	5/2005	Hung	D8/79

D528,890 S *	9/2006	Chen	D8/78
D536,592 S *	2/2007	Chen	D8/78

* cited by examiner

Primary Examiner—Philip Hyder

(74) *Attorney, Agent, or Firm*—Pai Patent & Trademark
Law; Chao-Chang David Pai

(57) **CLAIM**

The ornamental design for a hammerhead, as shown and
described.

DESCRIPTION

FIG. 1 is a perspective view of a hammerhead, showing my
new design;

FIG. 2 is a front elevational view thereof;

FIG. 3 is a rear elevational view thereof;

FIG. 4 is a top plan view thereof;

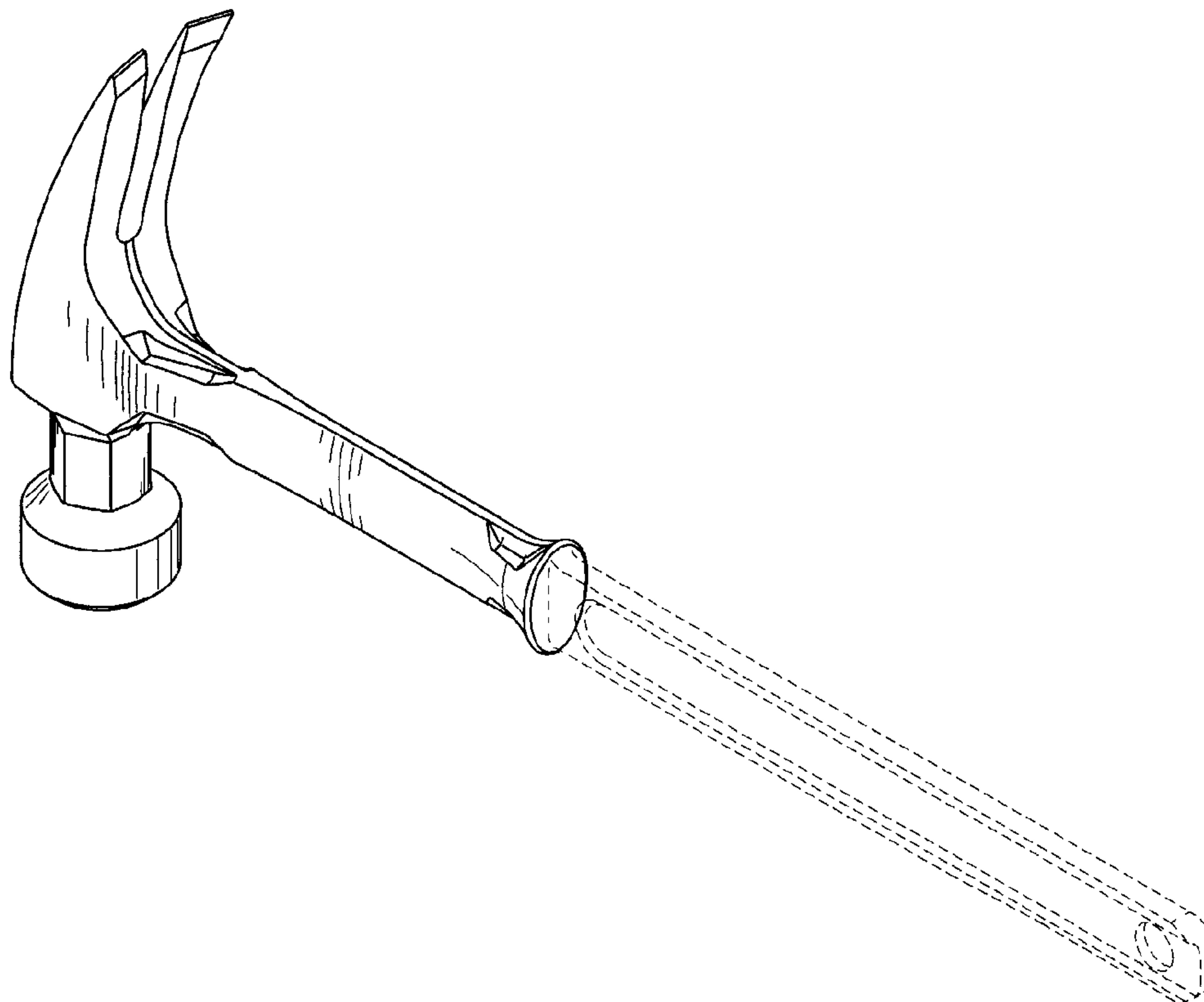
FIG. 5 is a bottom plan view thereof;

FIG. 6 is a left side elevational view thereof; and,

FIG. 7 is a right side elevational view thereof.

The handle attached to the hammerhead is shown in broken
lines for illustrative purposes only and forms no part of the
claimed design.

1 Claim, 3 Drawing Sheets



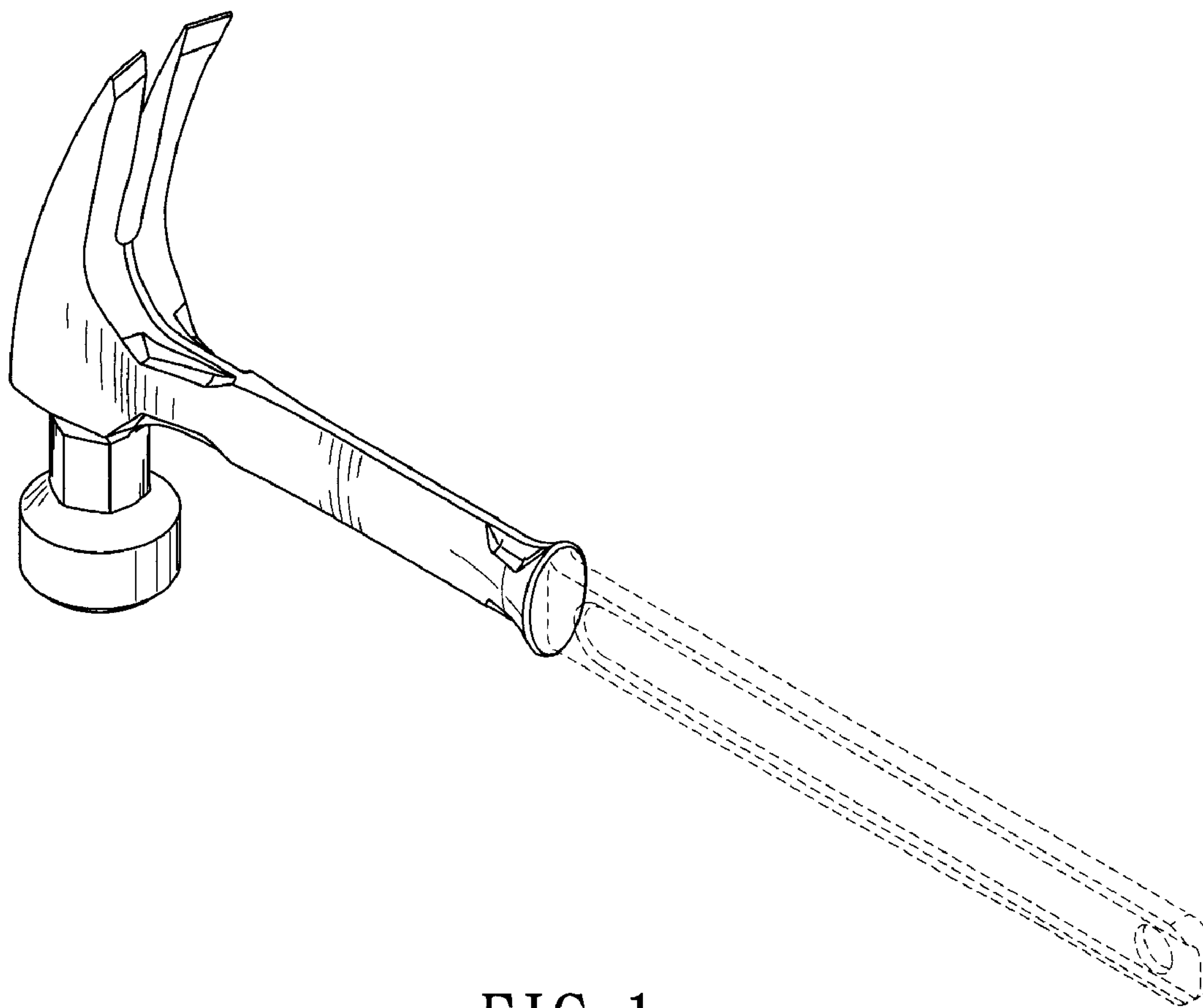


FIG. 1

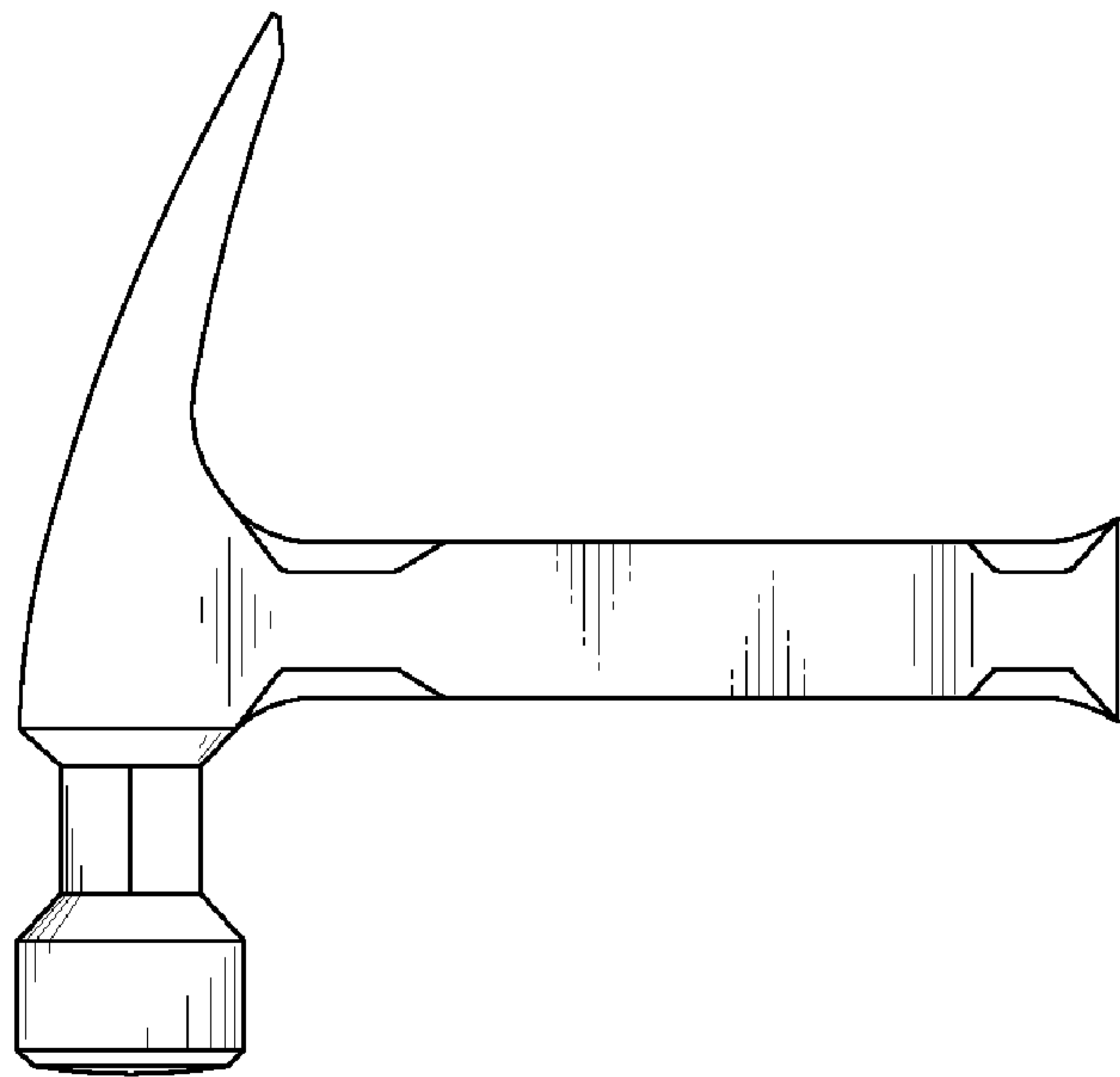


FIG. 2

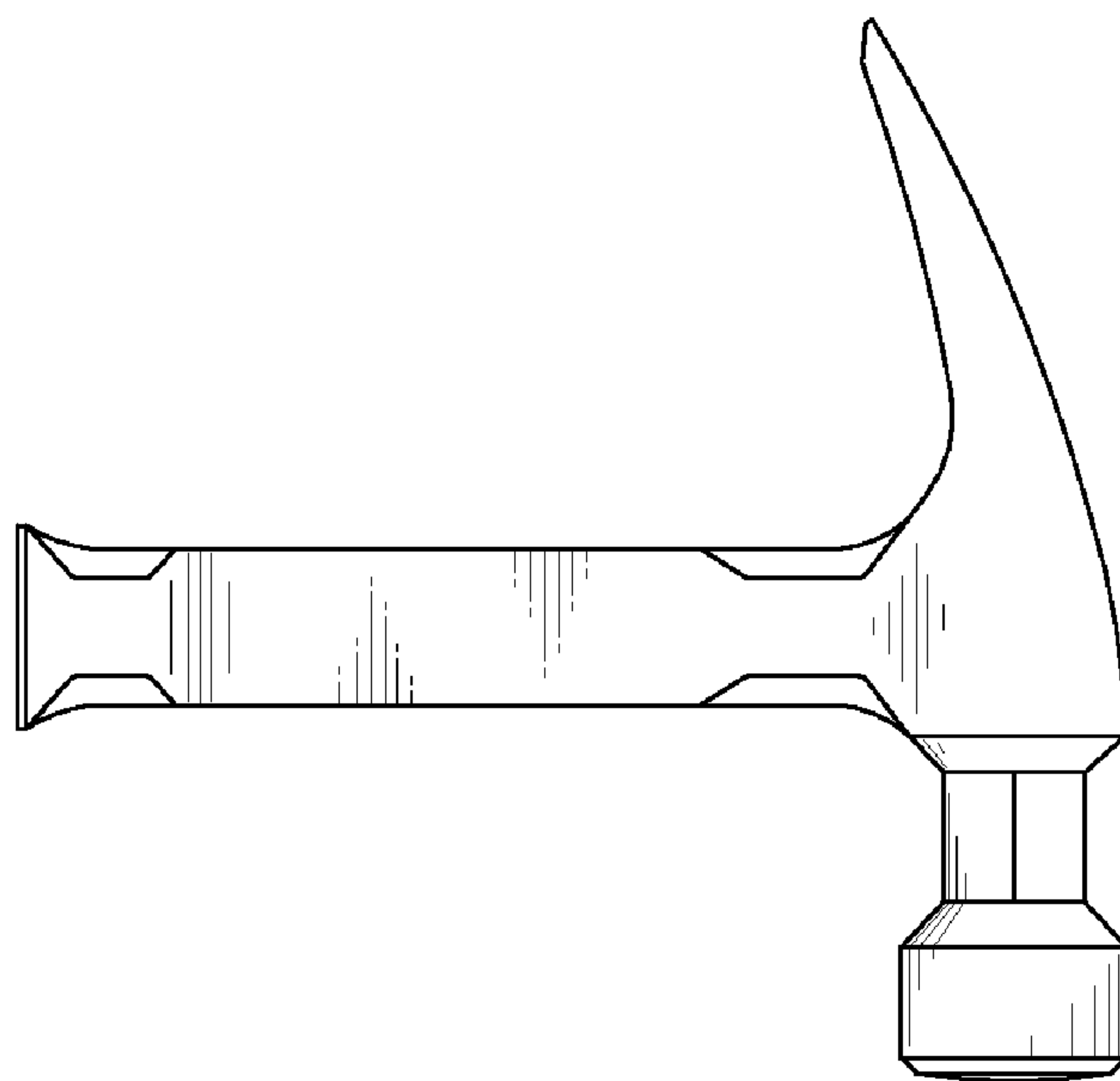


FIG. 3

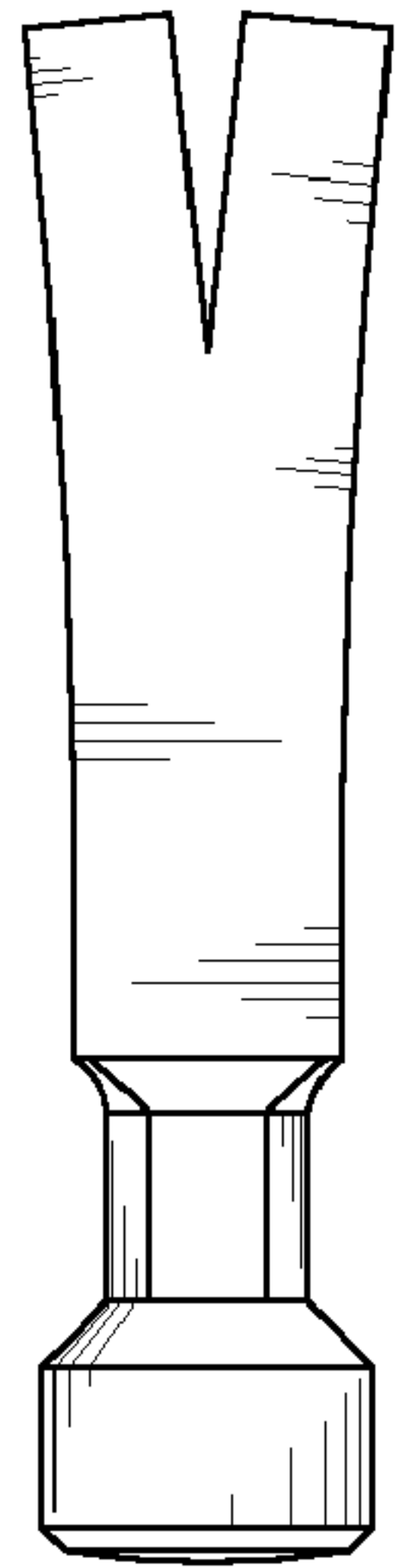


FIG. 4

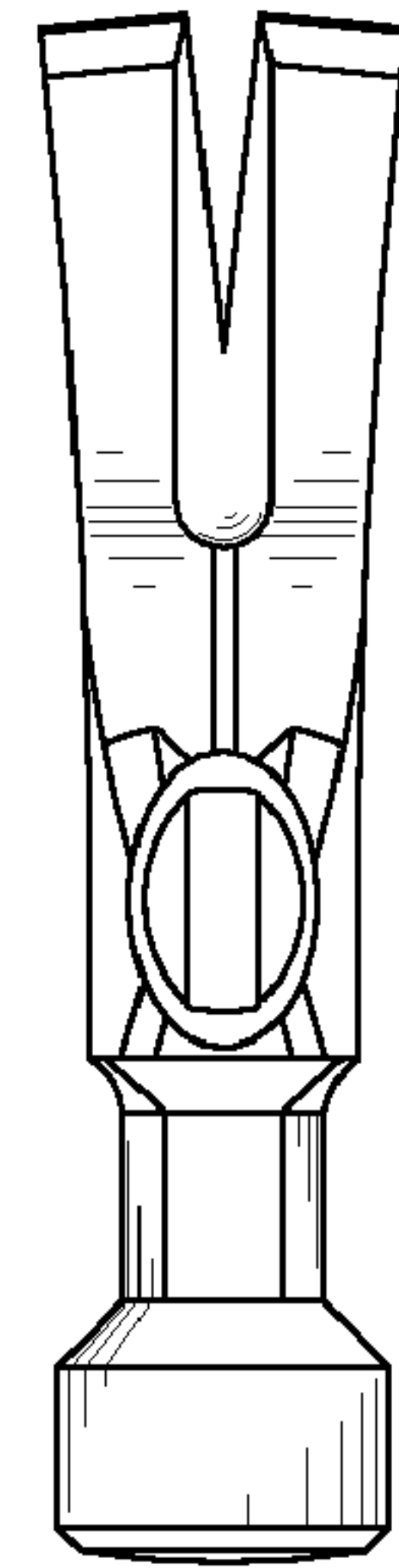


FIG. 5

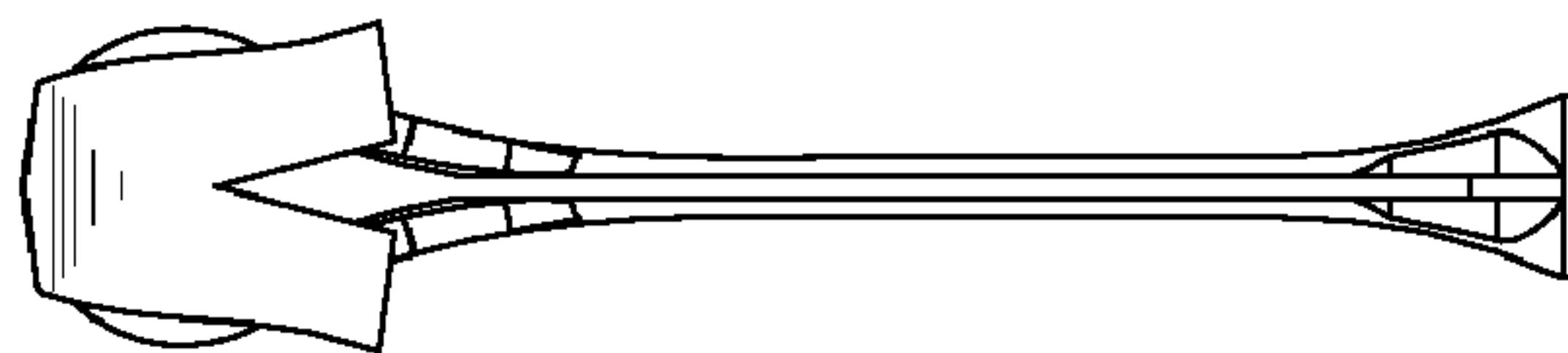


FIG. 6

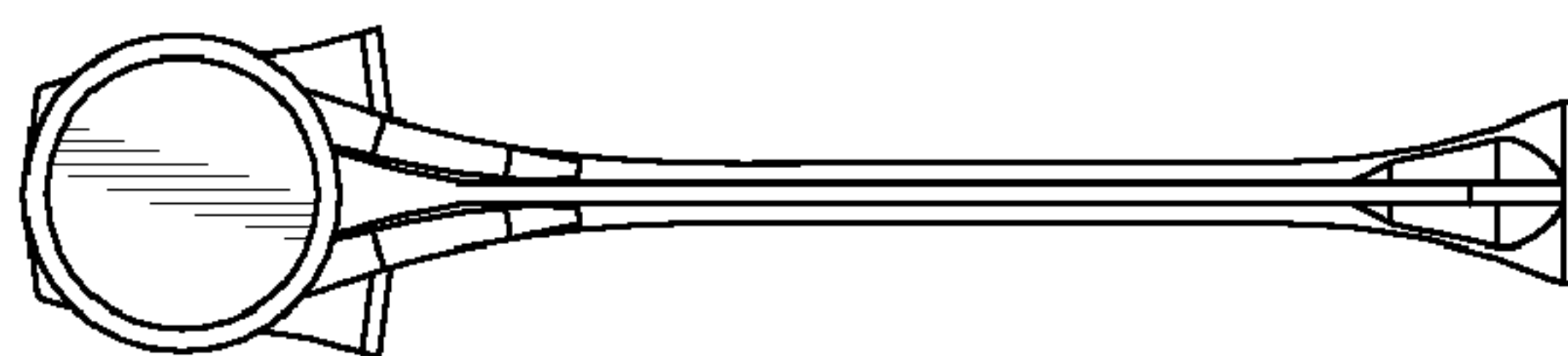


FIG. 7