



US00D556531S

(12) **United States Design Patent** (10) **Patent No.:** **US D556,531 S**  
**Allen** (45) **Date of Patent:** **\*\* Dec. 4, 2007**

(54) **TABLETOP CLAMP**

5,586,373 A \* 12/1996 Eby et al. .... 24/525  
D392,171 S \* 3/1998 Miller ..... D8/72

(76) Inventor: **Peter Allen**, 15 Berry Hill Rd., Oyster Bay Cove, NY (US) 11771

\* cited by examiner

(\*\*) Term: **14 Years**

*Primary Examiner*—Louis Zarfaz

*Assistant Examiner*—David G. Muller

(21) Appl. No.: **29/267,240**

(74) *Attorney, Agent, or Firm*—Alfred M. Walker

(22) Filed: **Oct. 10, 2006**

(57) **CLAIM**

(51) **LOC (8) Cl.** ..... **08-05**

The ornamental design for a tabletop clamp, as shown and described.

(52) **U.S. Cl.** ..... **D8/72**

(58) **Field of Classification Search** ..... D8/71-74,

**DESCRIPTION**

D8/394, 396, 59; 269/3, 6, 143, 147-149, 269/95, 240, 246, 247, 249, 71; 81/327, 81/355, 356, 353, 487; 29/257, 276; D15/140; D13/149; 439/810, 411, 412, 100; 403/373; 248/229.25, 229.15, 228.6, 72, 230.6, 231.71, 248/58; 24/525; 119/786

See application file for complete search history.

FIG. 1 is a front perspective view of a tabletop clamp, showing my new design;

FIG. 2 is a rear perspective view thereof;

FIG. 3 is a right side elevation view thereof;

FIG. 4 is a left side elevation view thereof;

FIG. 5 is a rear elevation view thereof;

FIG. 6 is a front elevation view thereof;

FIG. 7 is a top plan view thereof;

FIG. 8 is a bottom view thereof; and,

FIG. 9 is a perspective view thereof, also showing the tabletop clamp in use over a tabletop, which is shown in phantom lines.

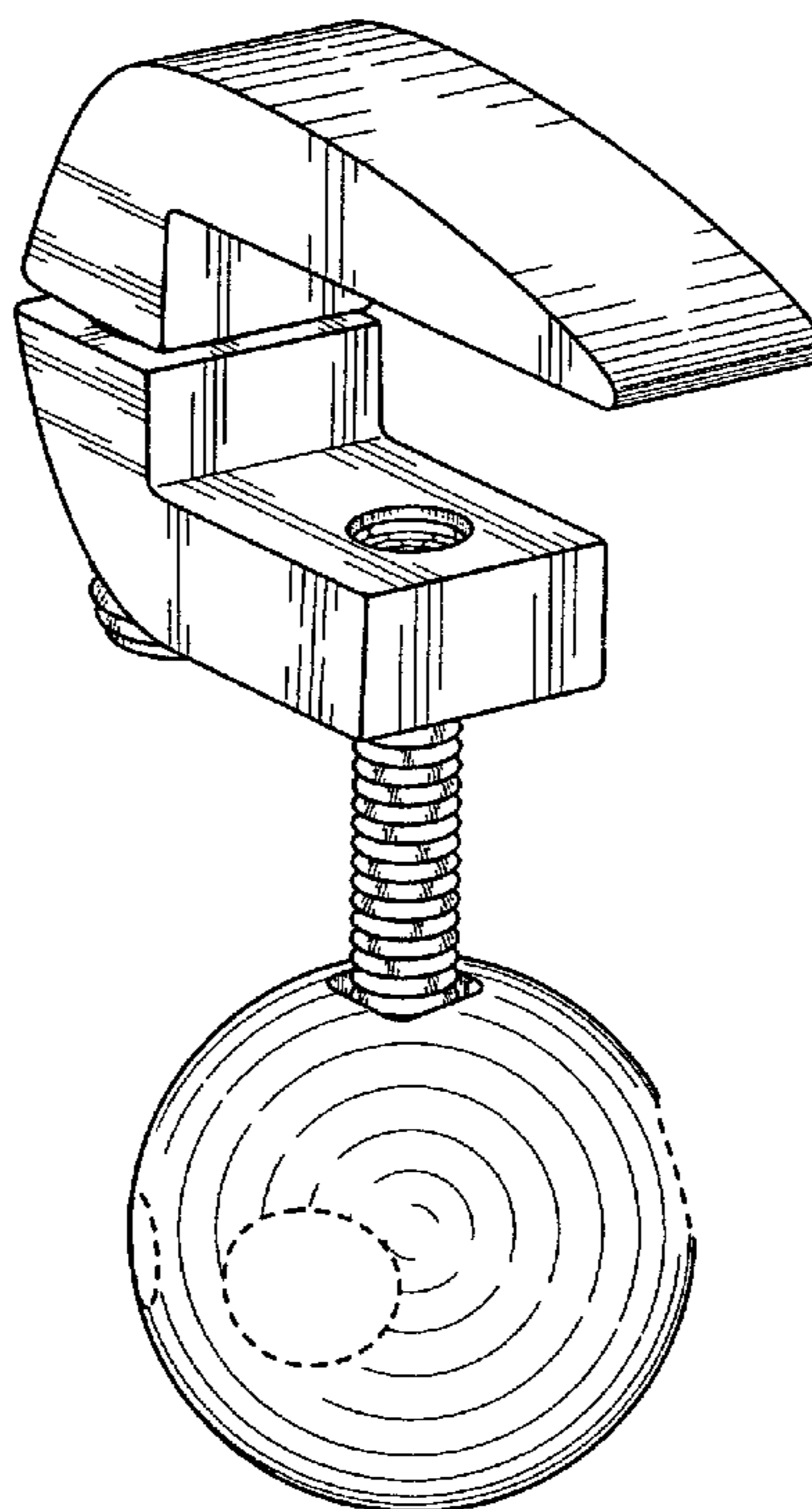
The tabletop and slots in the handle shown in phantom lines depict use and environment, and form no part of the claimed design.

(56) **References Cited**

U.S. PATENT DOCUMENTS

- 3,321,161 A \* 5/1967 Hirt ..... 248/72
- 3,896,769 A \* 7/1975 McGehee ..... 119/786
- 4,019,705 A \* 4/1977 Habuda et al. .... 248/58
- 4,140,307 A \* 2/1979 Dalmau et al. .... 269/71
- D284,294 S \* 6/1986 Upton ..... D21/467
- D329,007 S \* 9/1992 Yoder ..... D8/73
- D340,018 S \* 10/1993 Yoder ..... D12/223
- D349,225 S \* 8/1994 Von Fange ..... D8/73
- D350,683 S \* 9/1994 Tessman ..... D8/72
- D364,792 S \* 12/1995 Yoder et al. .... D8/72
- D375,440 S \* 11/1996 Yoder et al. .... D8/73

**1 Claim, 8 Drawing Sheets**



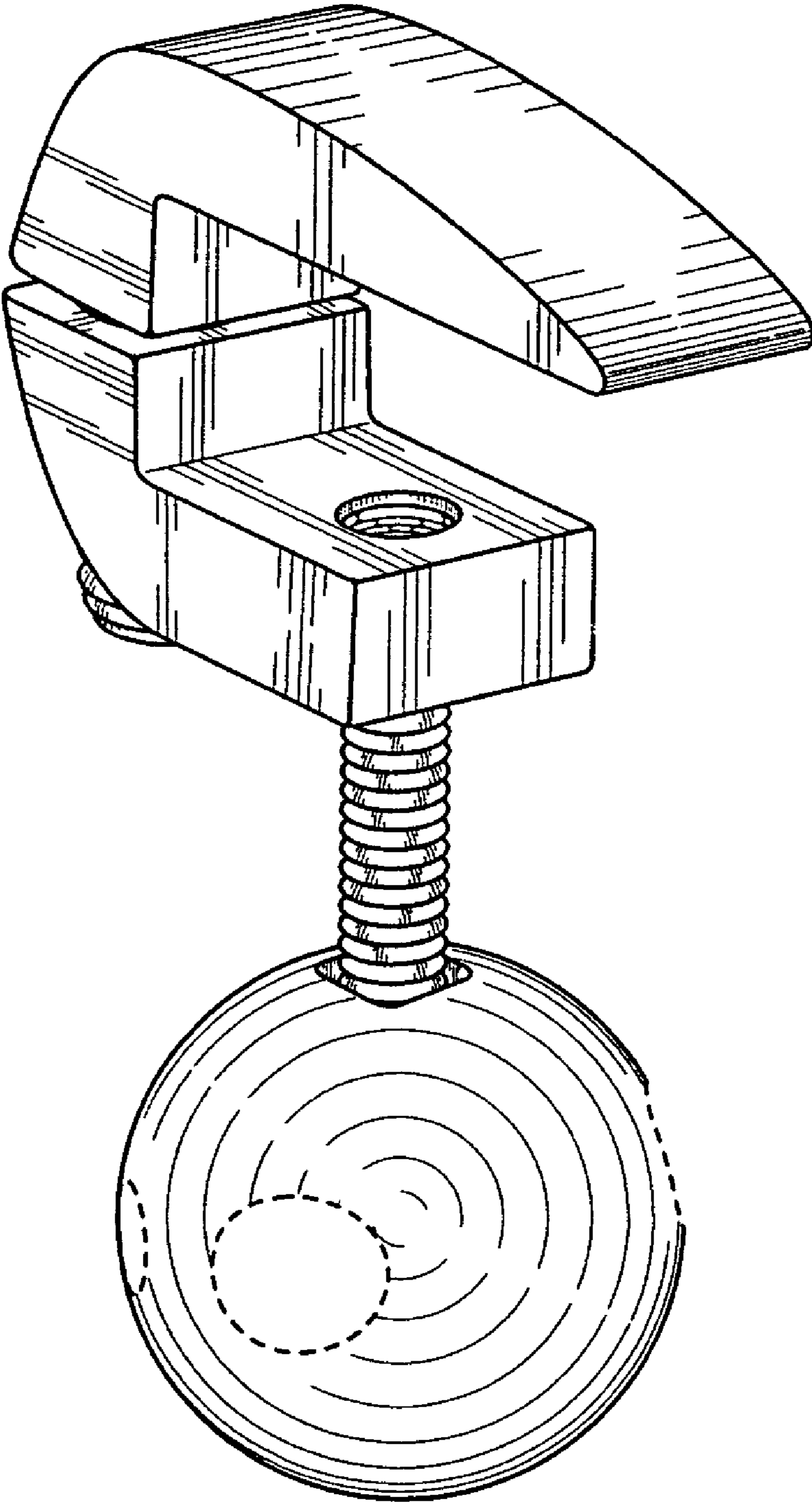


FIG. 1

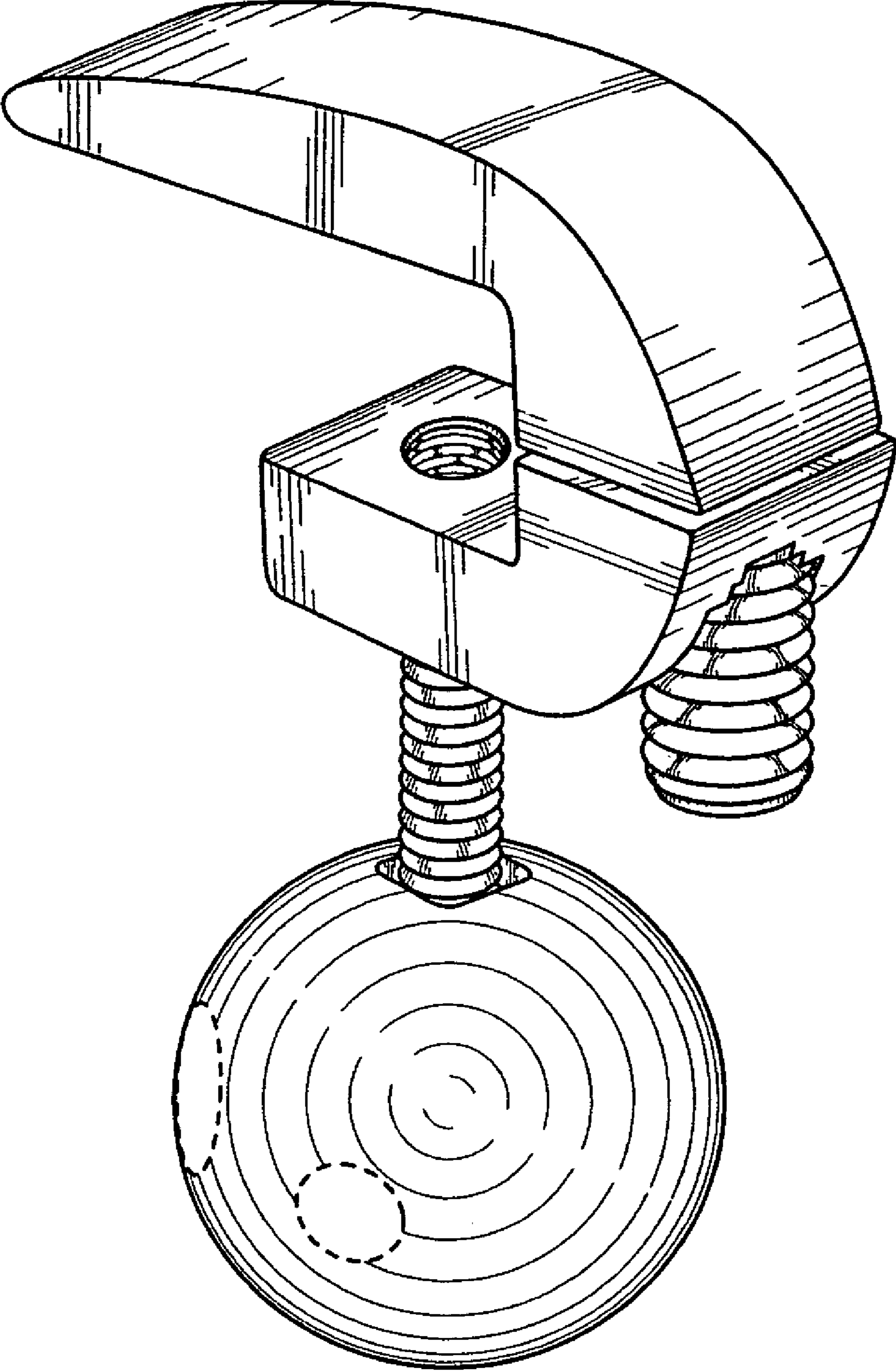


FIG. 2

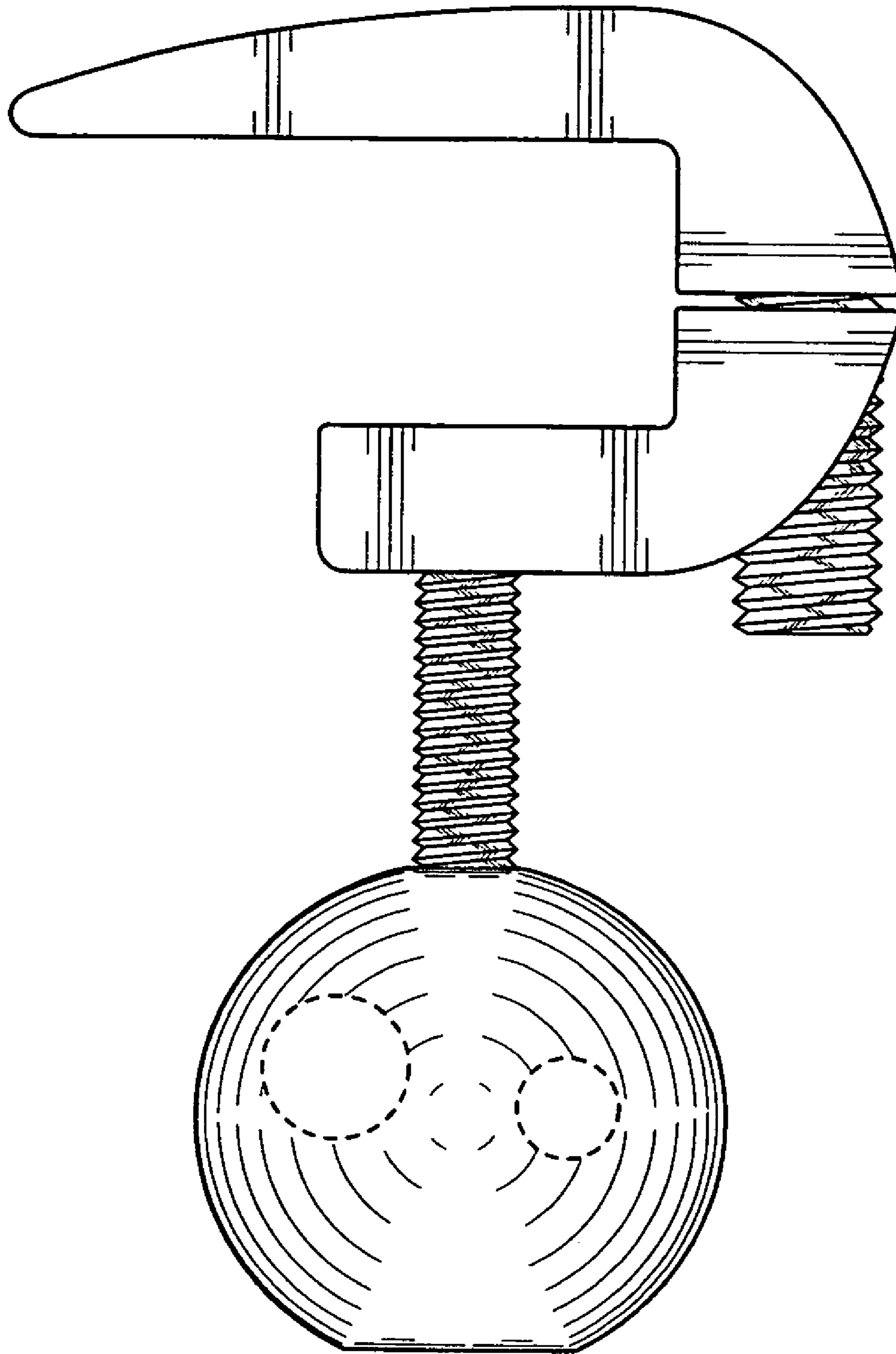


FIG. 3

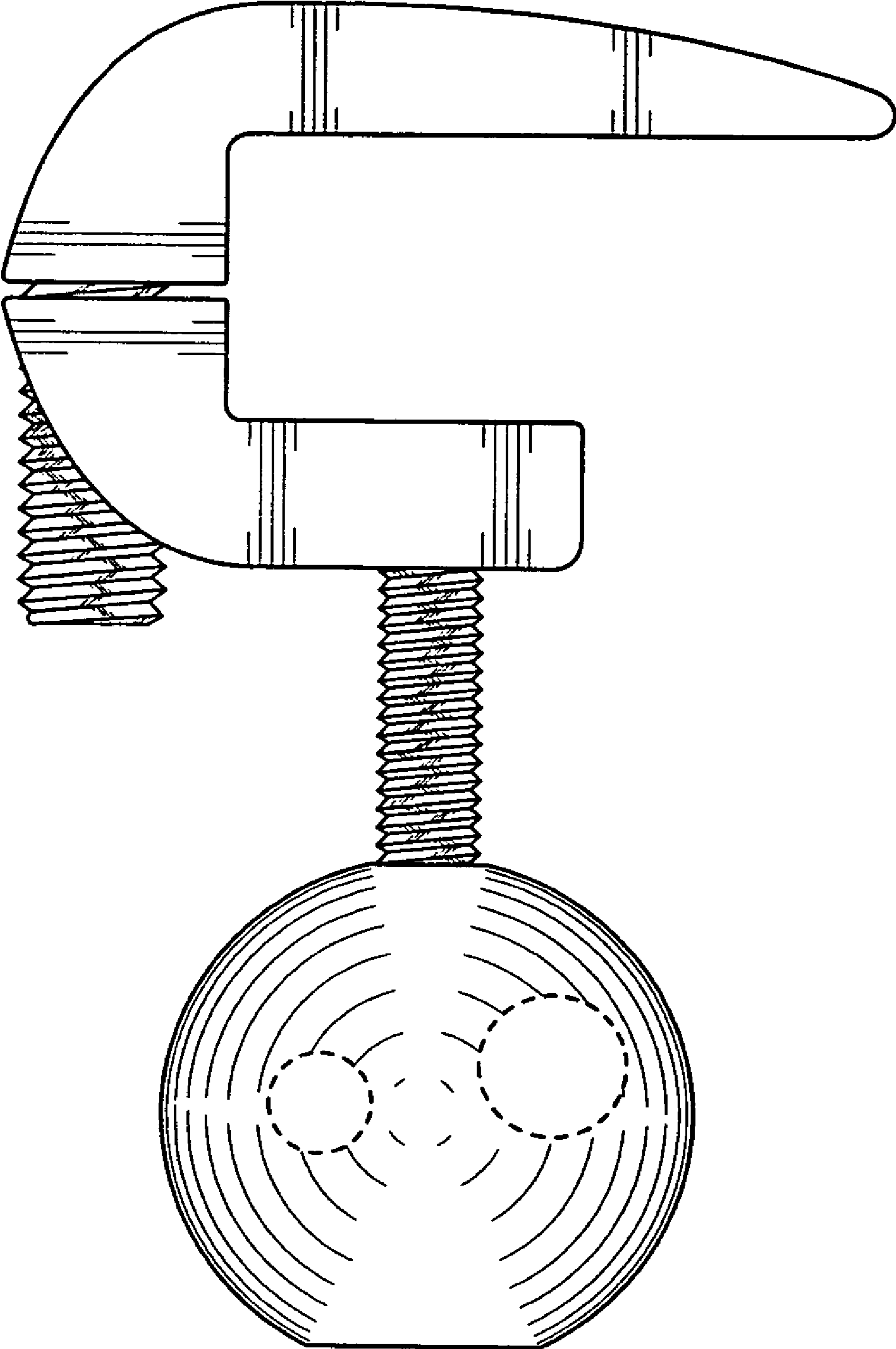


FIG. 4

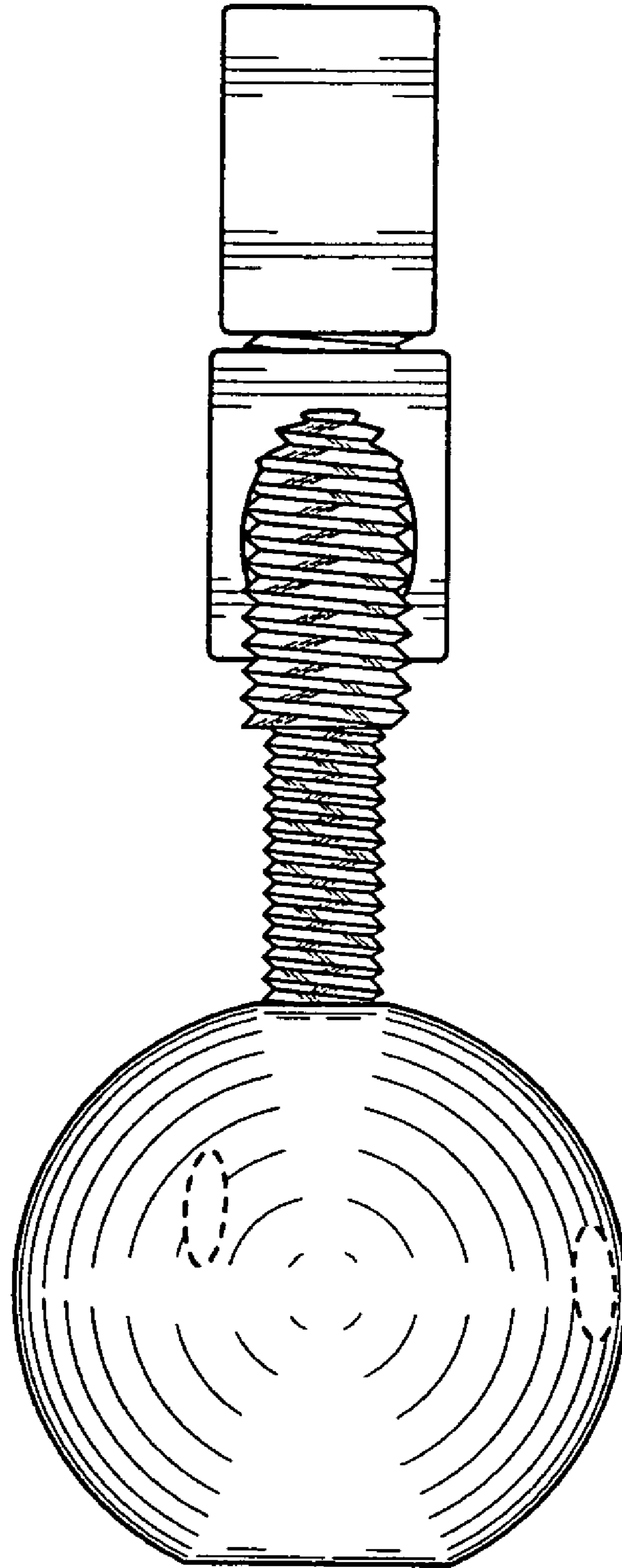


FIG. 5

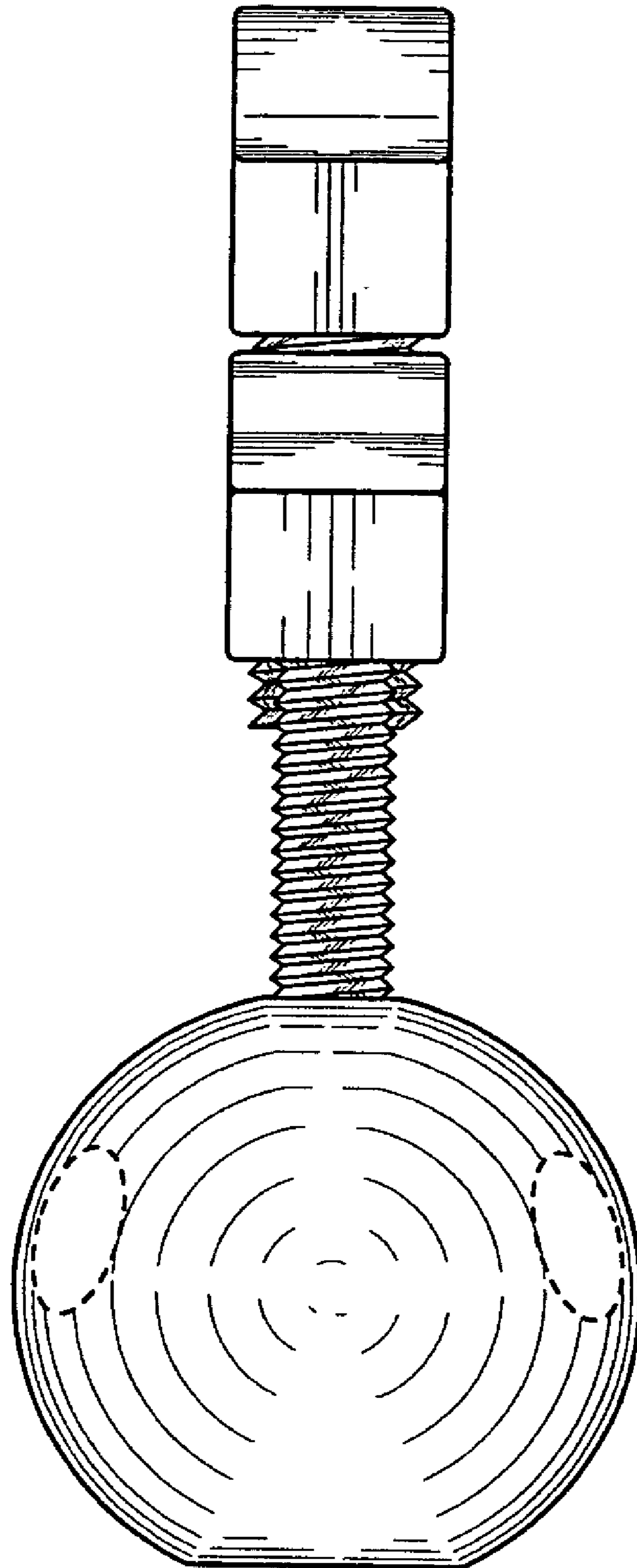


FIG. 6

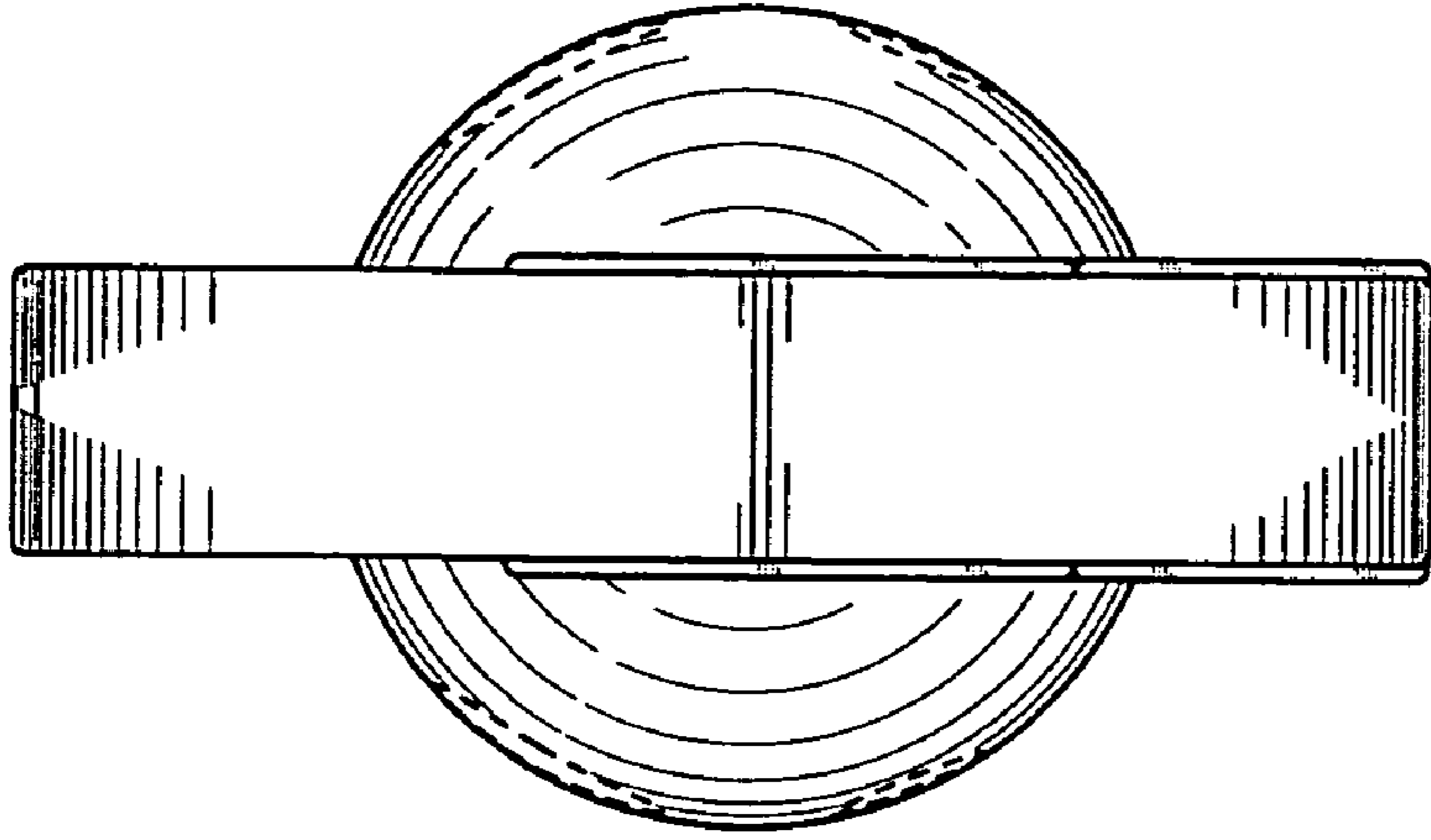


FIG. 7

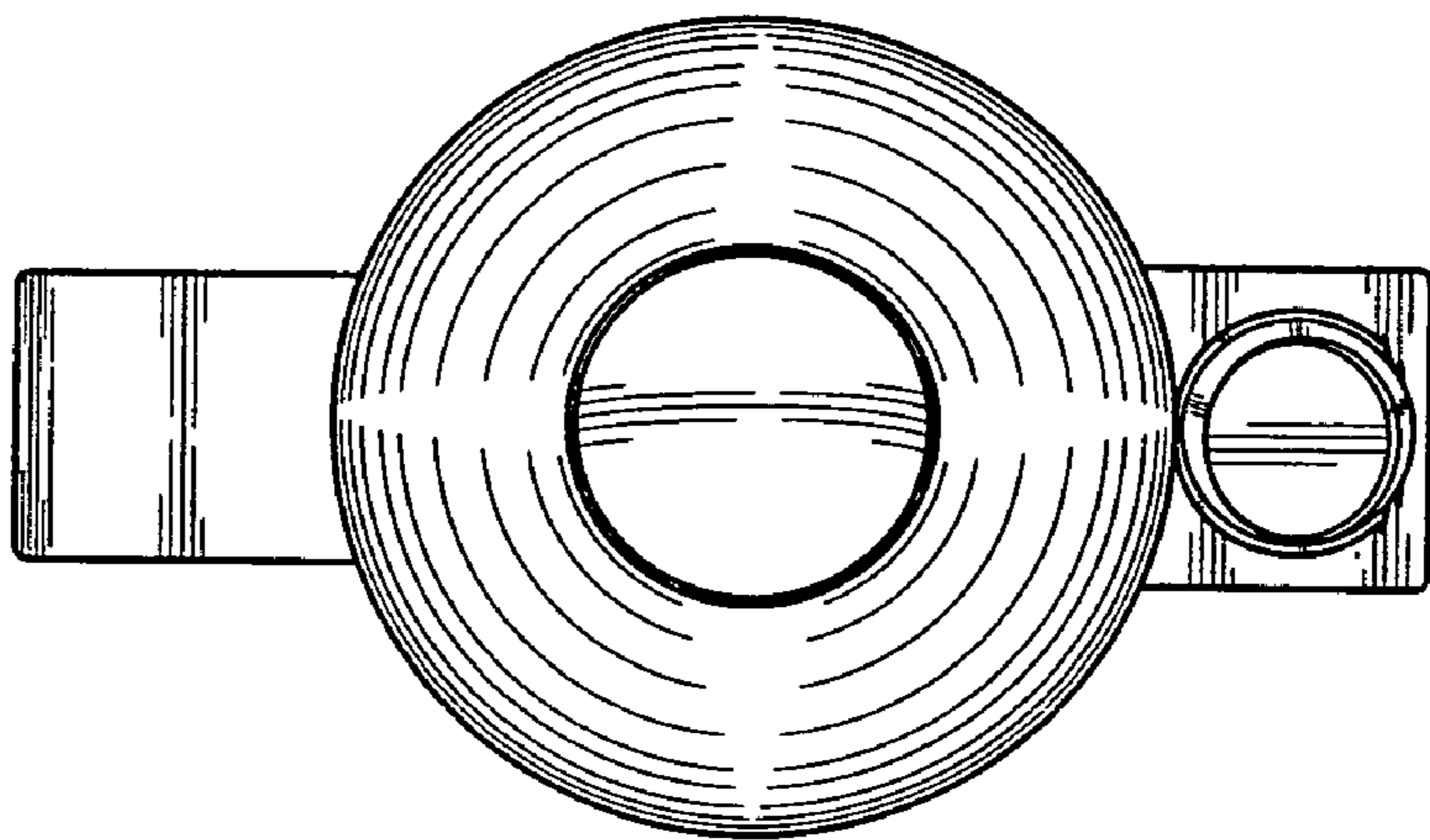


FIG. 8



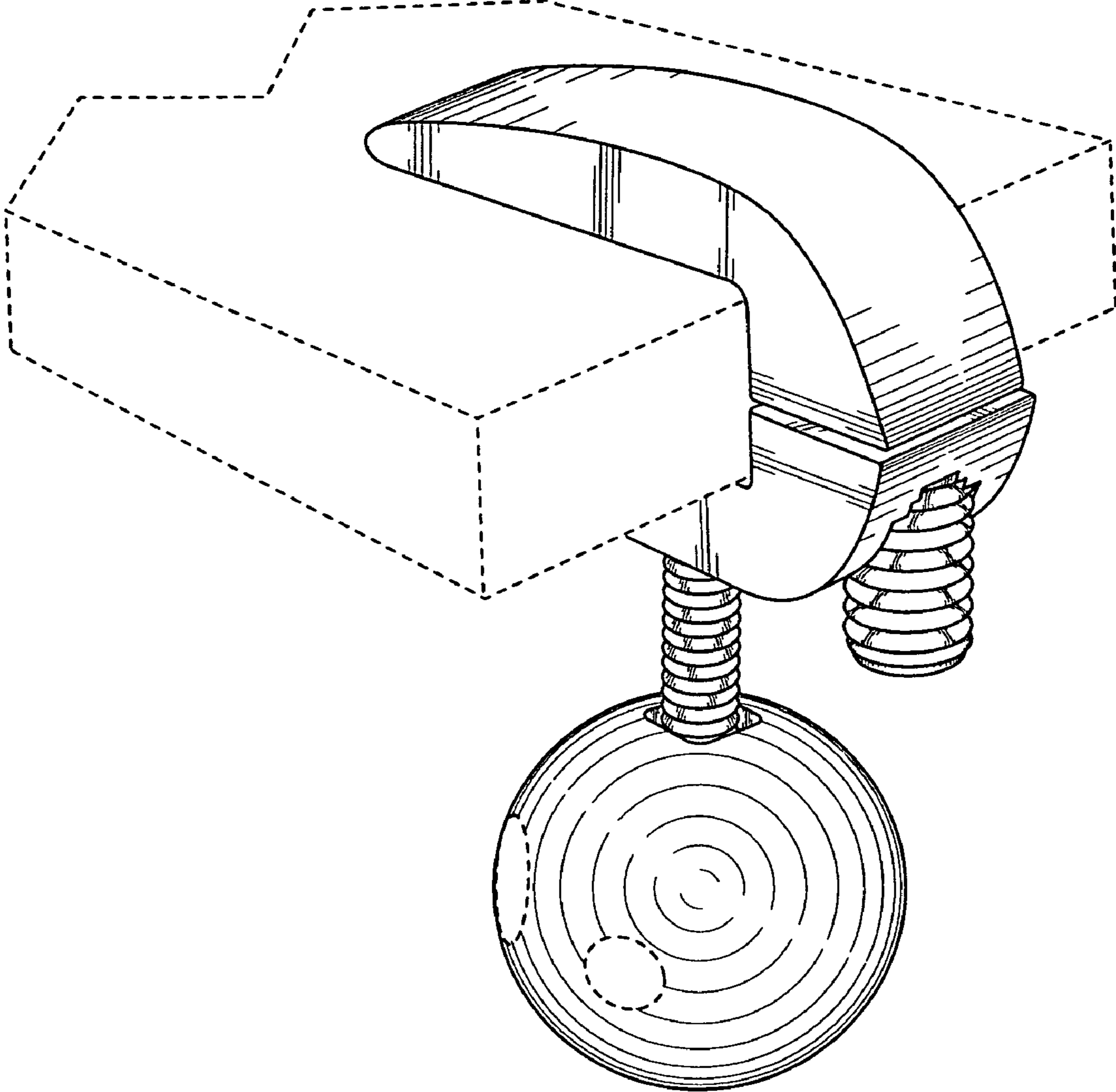


FIG. 9