



US00D556530S

(12) **United States Design Patent** (10) **Patent No.:** **US D556,530 S**
Workman et al. (45) **Date of Patent:** **** Dec. 4, 2007**

(54) **CLAMP FOR BICYCLES**

2006/0249466 A1* 11/2006 Wang 211/17

(75) Inventors: **Jonathan P. Workman**, Loveland, CO (US); **Donald H. Eason**, Fort Collins, CO (US)

OTHER PUBLICATIONS

Pedro's USA, Repair Stand, pedrousa.com/repairstand, Jan. 17, 2005.

Park Tool Company, 2005 Catalog.

TOPEAK, Topeak Catalog 2005, p. 2-3.

Ultimate Support Systems Inc, 2005 Product Catalog.

Ultimate Support Systems Inc, 2004 Catalog.

MINOURA, Repair Stands, www.minoura.jp/repair-e.html, Jan. 17, 2005 p. 1-3.

(73) Assignee: **Ultimate Holdings, Inc.**, Fort Collins, CO (US)

(**) Term: **14 Years**

* cited by examiner

(21) Appl. No.: **29/221,544**

Primary Examiner—Louis Zarfes

Assistant Examiner—David G. Muller

(22) Filed: **Jan. 17, 2005**

(74) *Attorney, Agent, or Firm*—Santangelo Law Offices, P.C.

(51) **LOC (8) Cl.** **08-05**

(52) **U.S. Cl.** **D8/72**

(58) **Field of Classification Search** D8/71-74, D8/394; 269/3, 6, 143, 147-149, 95, 224; 81/355, 356, 353, 487; 29/257, 256; D15/140; 224/570, 558; 248/689, 62, 124.2; 211/17-22; D12/115; D21/664; D34/28; D6/400, 431
See application file for complete search history.

(57) **CLAIM**

The ornamental design for clamp for bicycles, as shown and described.

(56) **References Cited**

DESCRIPTION

U.S. PATENT DOCUMENTS

1,012,226	A *	12/1911	Starrett	269/224
1,564,703	A *	12/1925	Nichols	224/558
3,514,091	A *	5/1970	Engstrom et al.	211/22
3,947,010	A	3/1976	Zeller		
3,981,491	A *	9/1976	Snyder	211/22
D298,156	S *	10/1988	Blackburn	D21/664
4,887,754	A	12/1989	Boyer et al.		
5,222,707	A	6/1993	Myers		
5,277,346	A	1/1994	Stier		
D354,598	S *	1/1995	Poten et al.	D34/28
5,385,280	A	1/1995	Littlepage et al.		
D356,901	S *	4/1995	Schoenig et al.	D6/400
D383,584	S *	9/1997	Hestehave et al.	D34/28
5,769,556	A	6/1998	Colley		
5,996,814	A *	12/1999	Workman et al.	211/22
D481,623	S *	11/2003	Chen	D8/394
D482,585	S *	11/2003	Brass et al.	D8/72
D490,289	S *	5/2004	Chuang	D8/72

FIG. 1 is a front perspective view of the clamp for bicycles showing our new design;

FIG. 2 is a front elevational view thereof, shown at a larger scale;

FIG. 3 is a left side elevational view thereof;

FIG. 4 is a right side elevational view thereof;

FIG. 5 is a rear side elevational view thereof, shown at a larger scale;

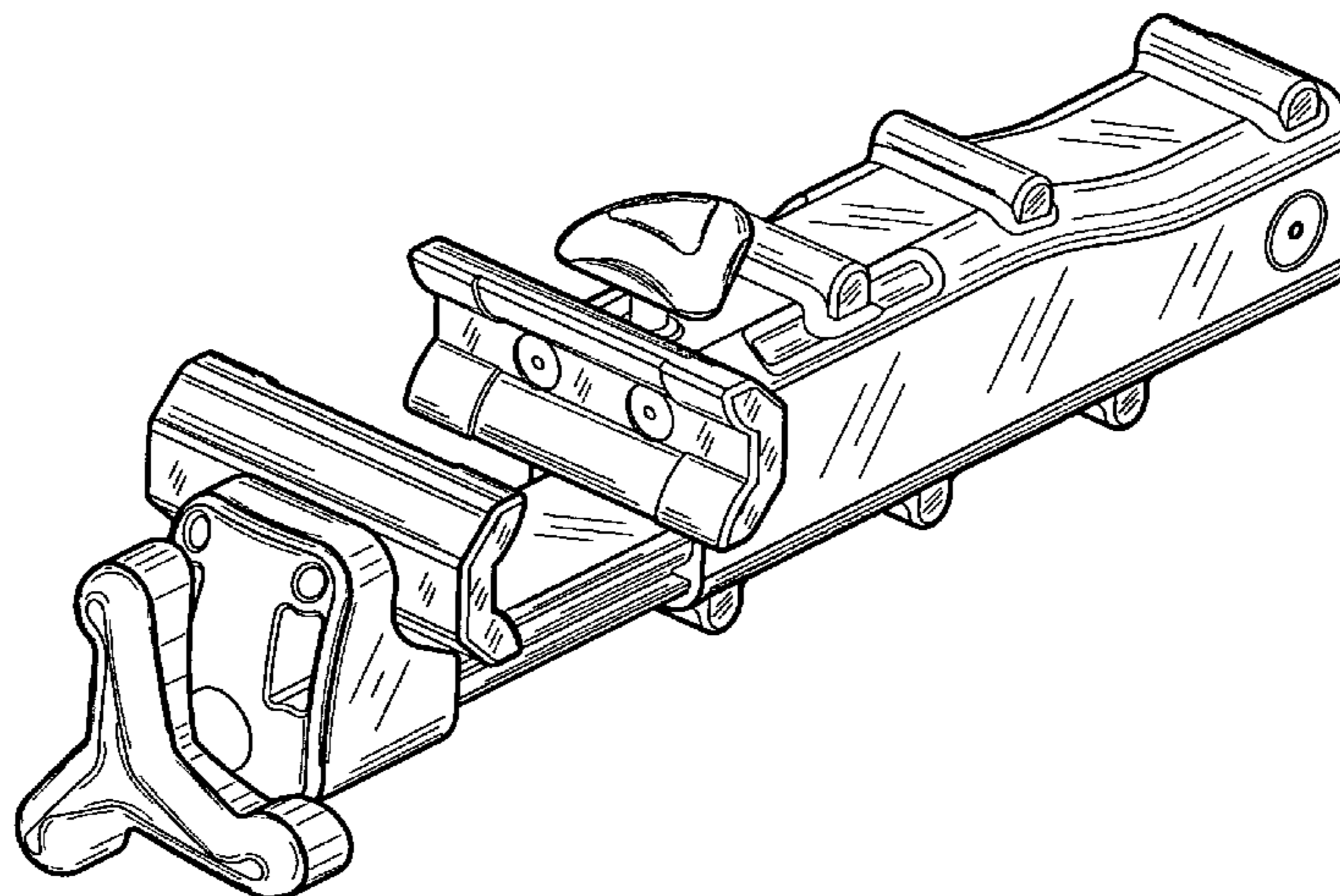
FIG. 6 is a top plan view thereof;

FIG. 7 is a bottom elevational view thereof; and,

FIG. 8 is a front perspective view of the clamp possibly attached to a support stand.

The broken line showing of features in the drawings is included for the purpose of illustrating "use and environment" and forms no part of the claimed design.

1 Claim, 8 Drawing Sheets



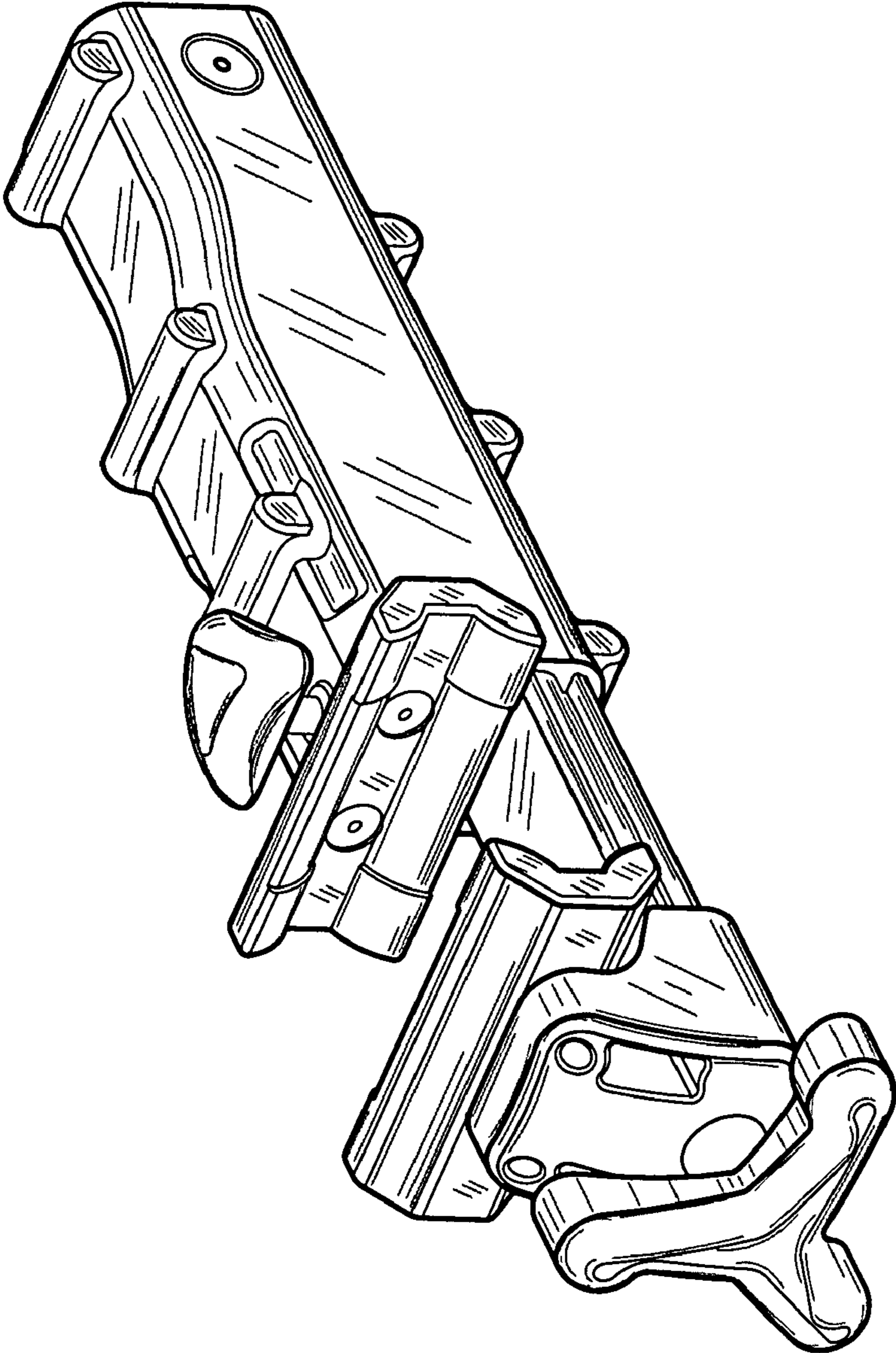


Fig. 1

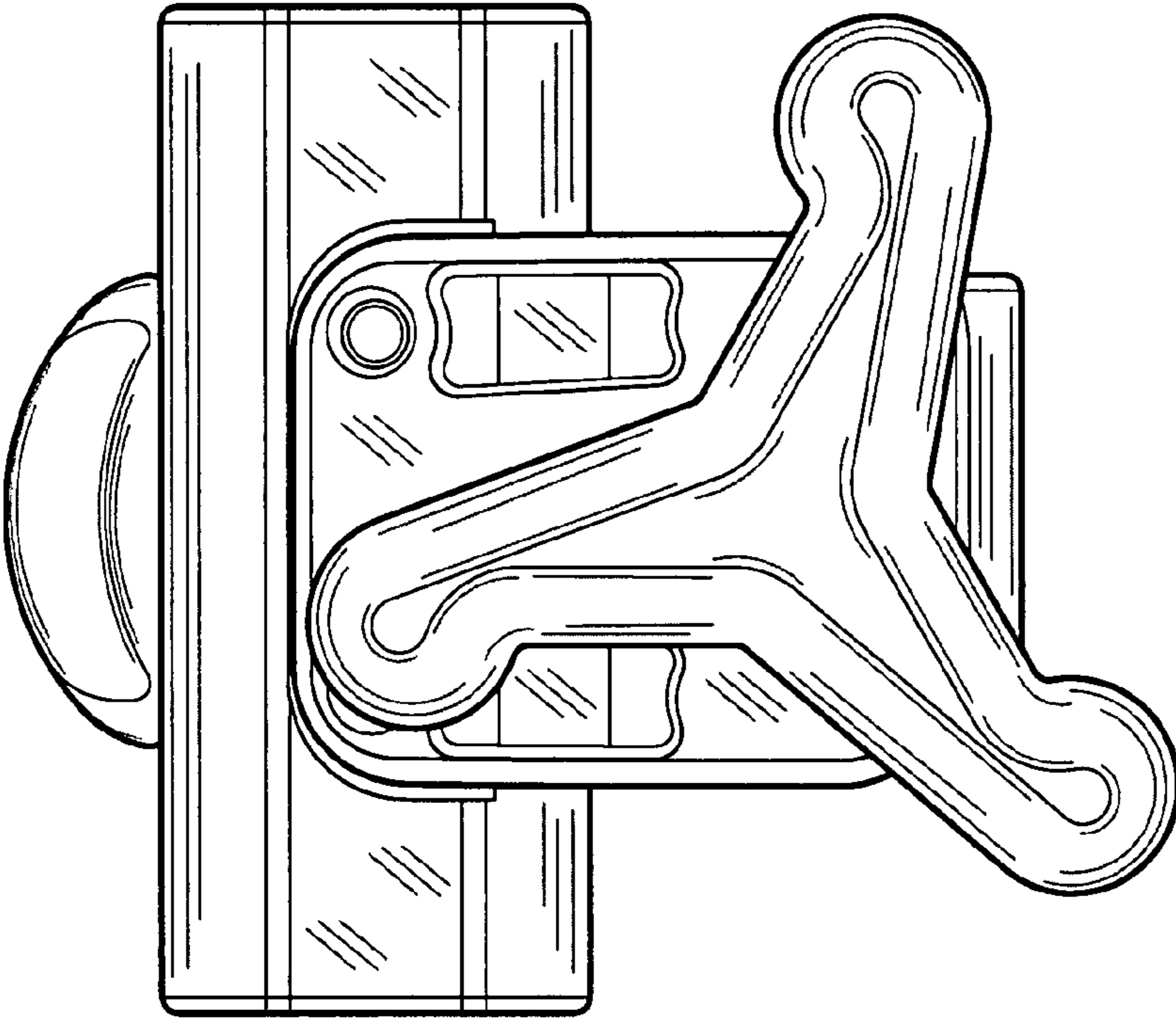


Fig. 2

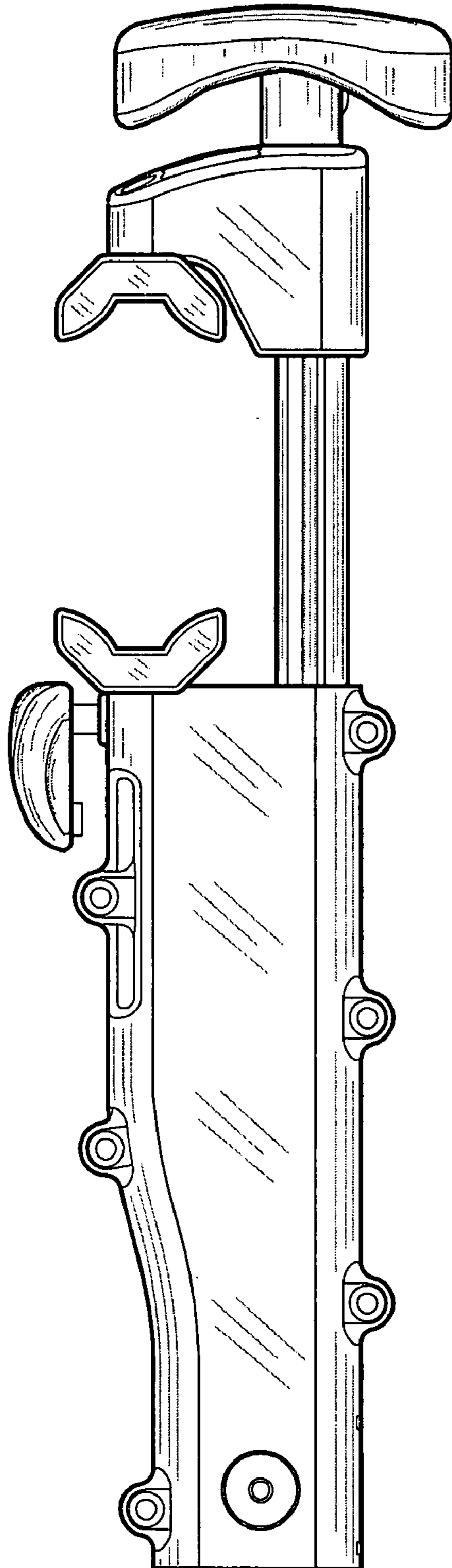


Fig. 3

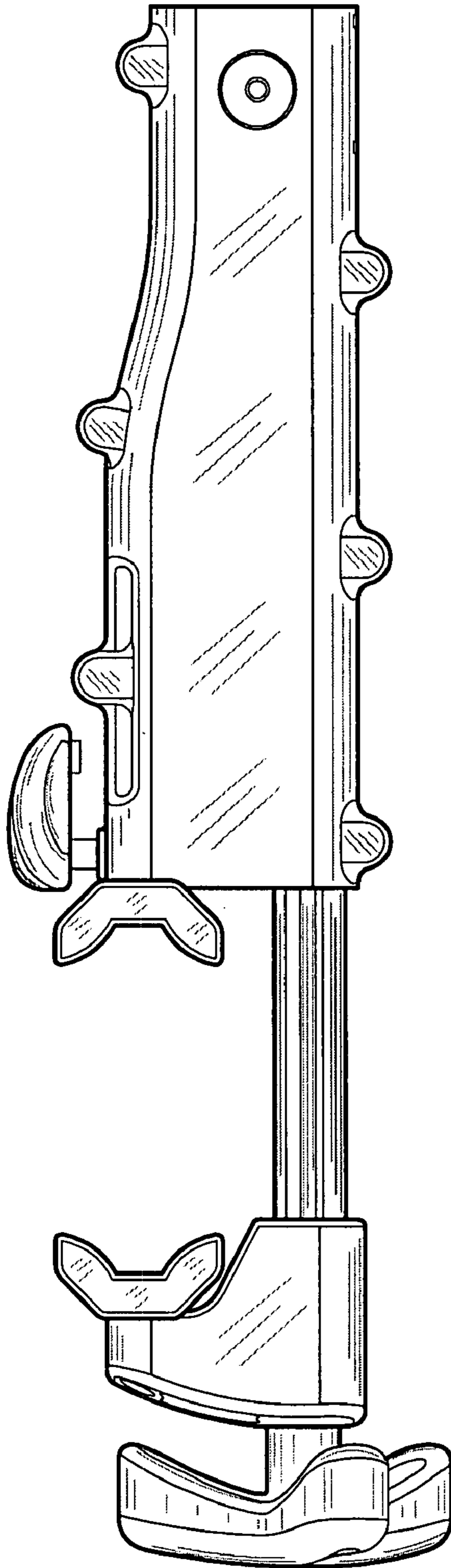


Fig. 4

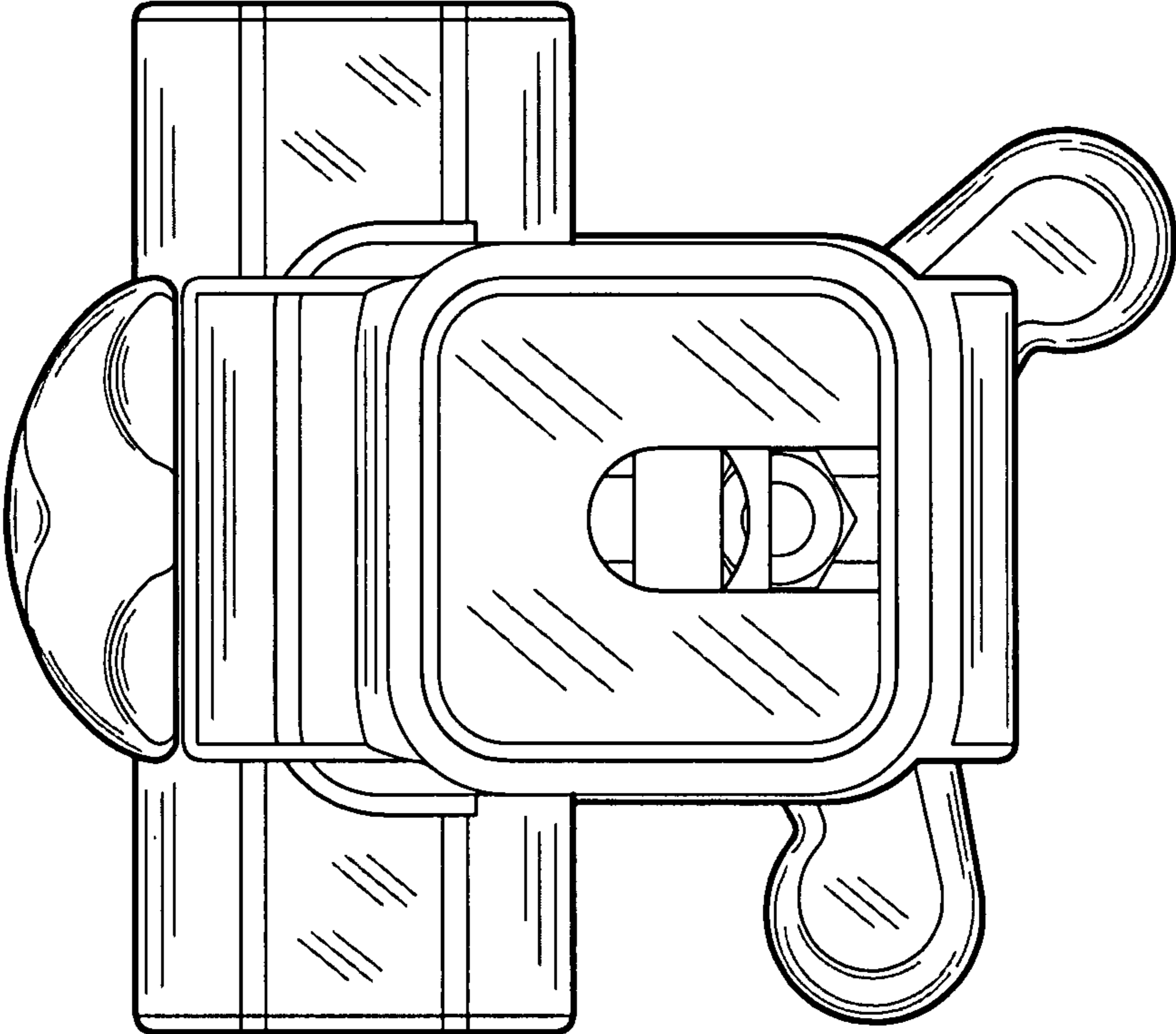


Fig. 5

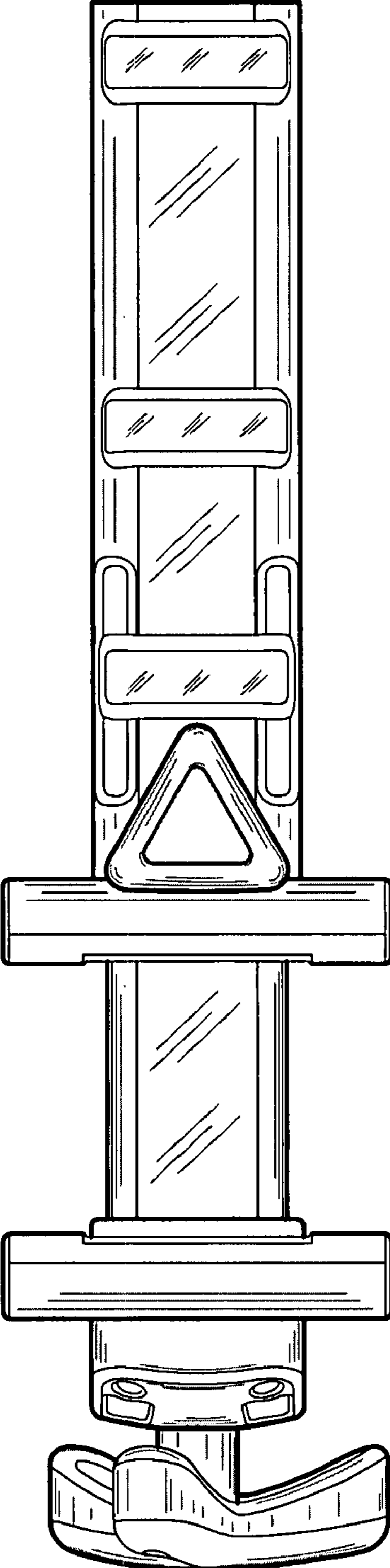


Fig. 6

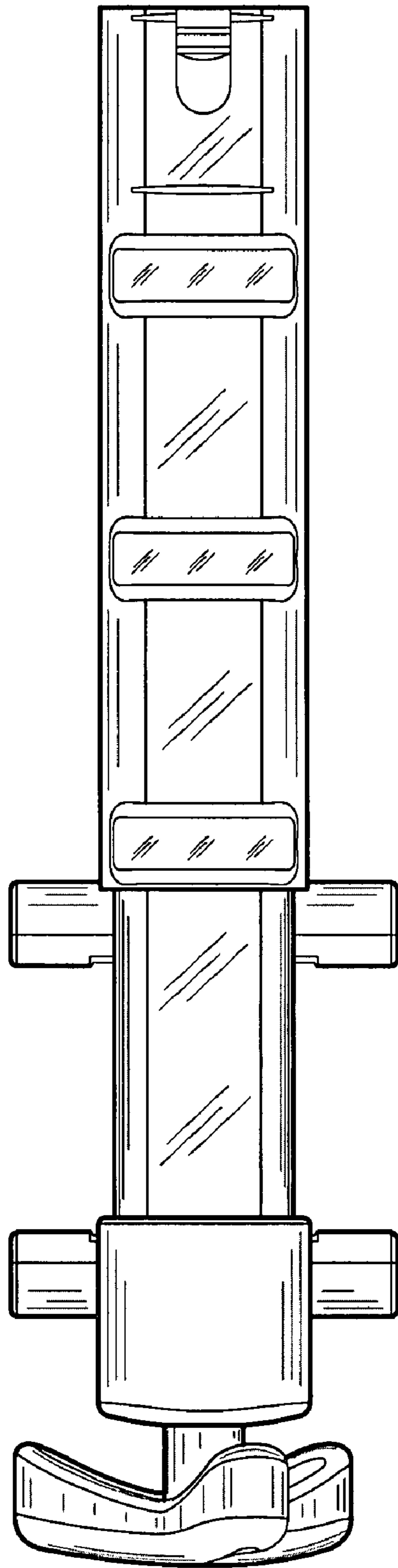


Fig. 7

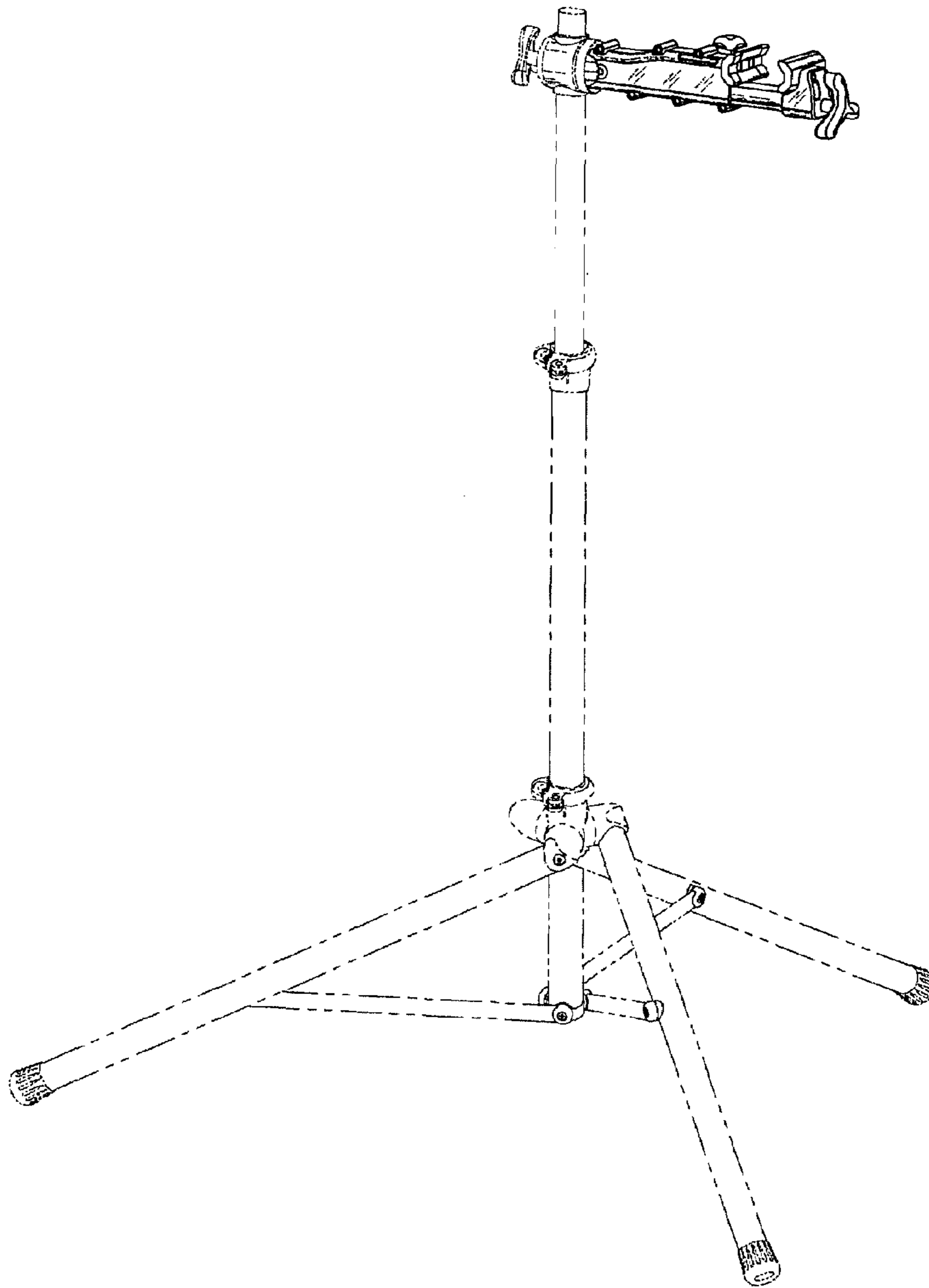


Fig. 8