



US00D556526S

(12) **United States Design Patent**
Horner et al.

(10) **Patent No.: US D556,526 S**

(45) **Date of Patent: ** Dec. 4, 2007**

(54) **ROOFING MEMBRANE HAND TOOL**

6,685,609 B2 * 2/2004 Carder 492/13
D498,397 S * 11/2004 Mitchell D8/14
6,875,162 B2 * 4/2005 Barksdale et al. 492/19

(75) Inventors: **Andrew J. Horner**, Wadsworth, OH
(US); **Daryl J. Waite**, Mentor, OH
(US)

OTHER PUBLICATIONS

Everhard Products, Inc. brochure—1 page—document is undated.
ABC Supply Co. Inc. Catalog—1 page—p. 139—document is undated.

(73) Assignee: **Everhard Products, Inc.**, Canton, OH
(US)

* cited by examiner

(**) Term: **14 Years**

Primary Examiner—Philip S. Hyder

(21) Appl. No.: **29/240,740**

(74) *Attorney, Agent, or Firm*—Sand & Sebolt

(22) Filed: **Oct. 18, 2005**

(57) **CLAIM**

(51) **LOC (8) Cl.** **08-05**

The ornamental design for the roofing membrane hand tool, as shown and described.

(52) **U.S. Cl.** **D8/51; D8/14**

(58) **Field of Classification Search** D8/14,
D8/51, 88, 89, 107; D4/122; 15/27; 7/105;
492/13, 14, 19

DESCRIPTION

See application file for complete search history.

FIG. 1 is a side elevational view of a roofing membrane hand tool showing our new design.

(56) **References Cited**

U.S. PATENT DOCUMENTS

1,510,034 A * 9/1924 Brader 492/13
4,224,726 A 9/1980 Walker
4,548,016 A * 10/1985 Dubich et al. 52/749.12
4,894,112 A 1/1990 Lippman
D306,524 S * 3/1990 Marshall D4/122
5,393,289 A * 2/1995 Green 492/13

FIG. 2 is a left hand end view thereof.

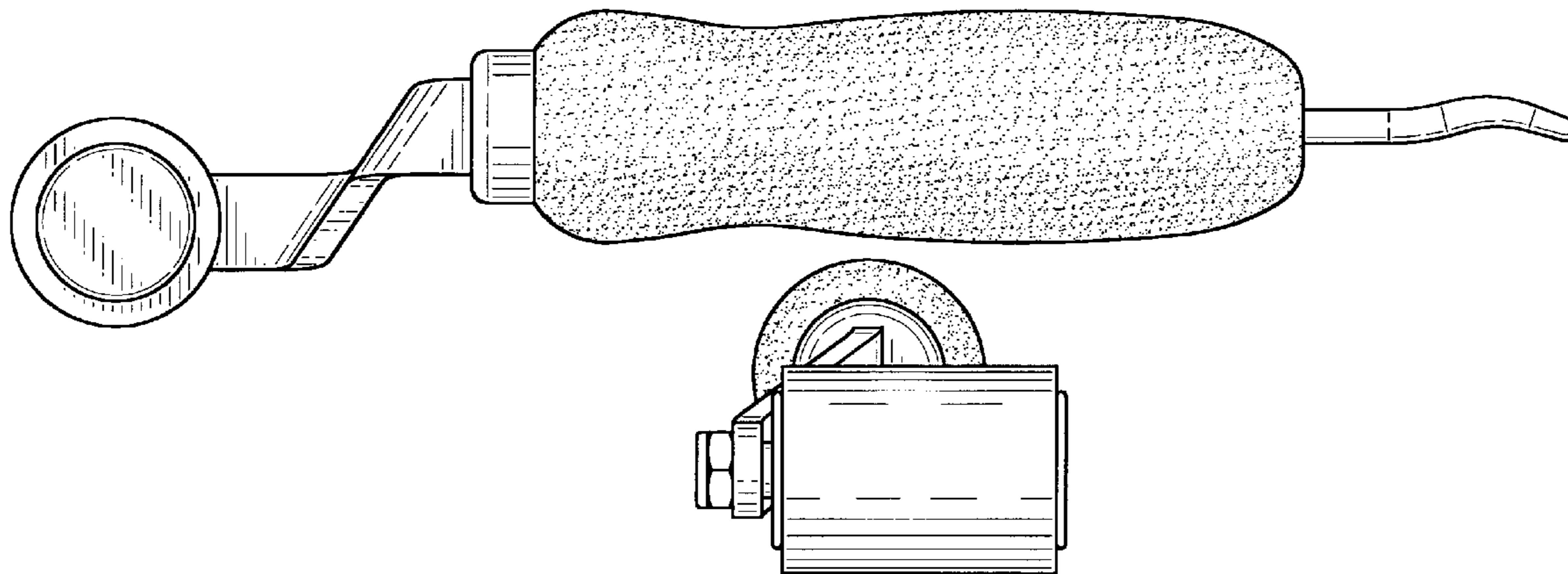
FIG. 3 is a right hand end view thereof.

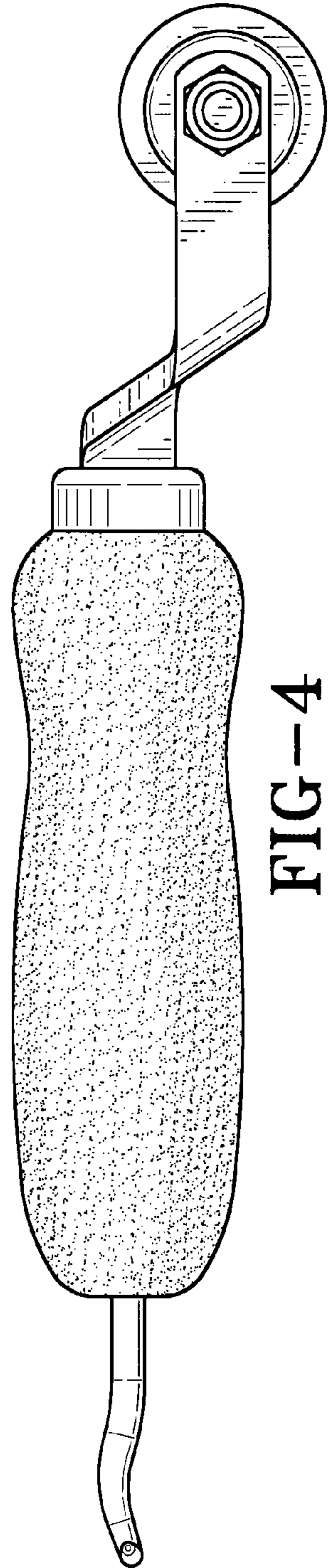
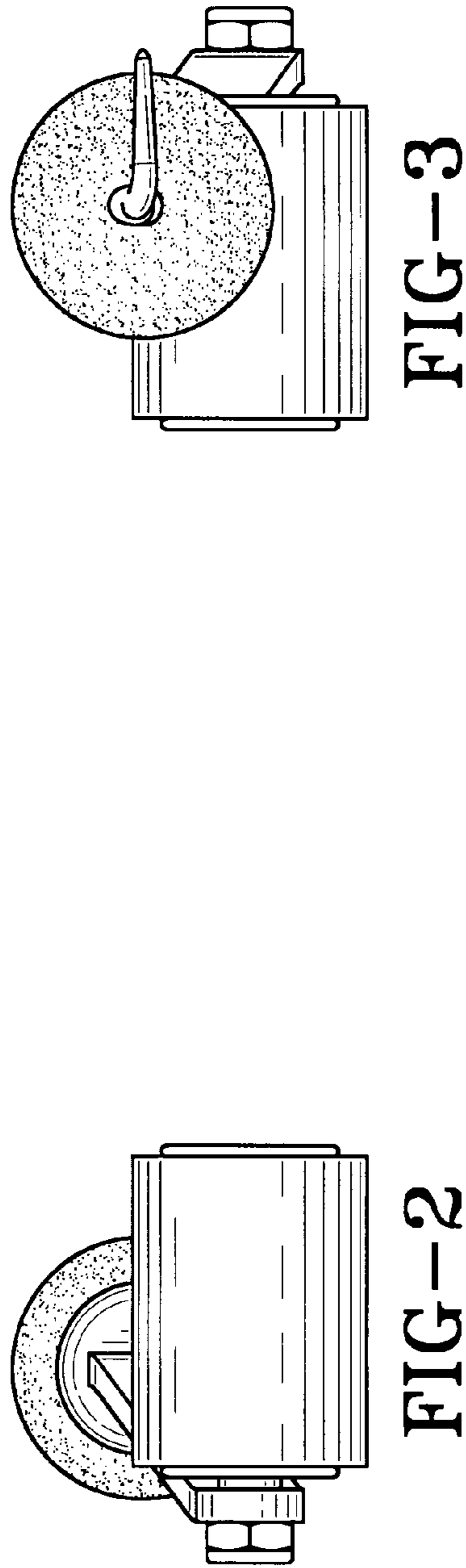
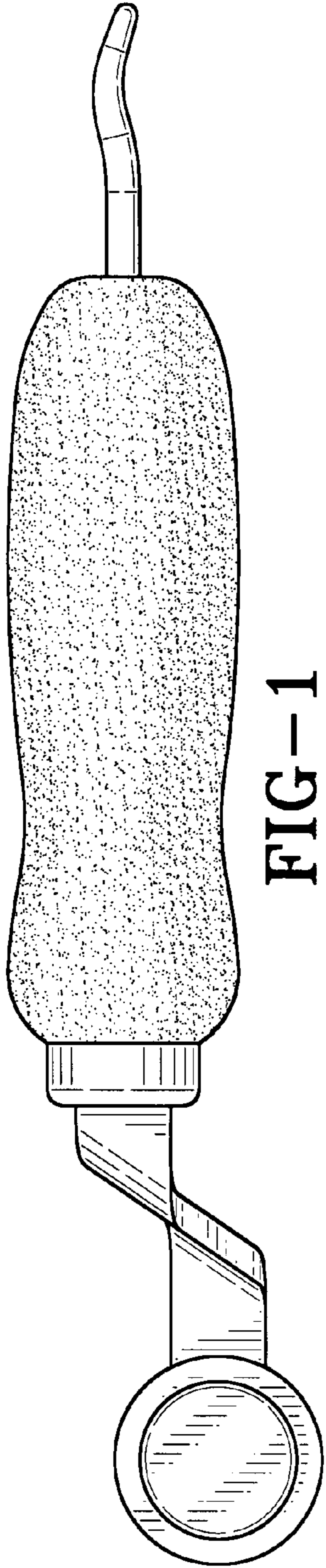
FIG. 4 is a side elevational view opposite of that shown in FIG. 1.

FIG. 5 is a top plan view thereof; and,

FIG. 6 is a bottom plan view thereof.

1 Claim, 2 Drawing Sheets





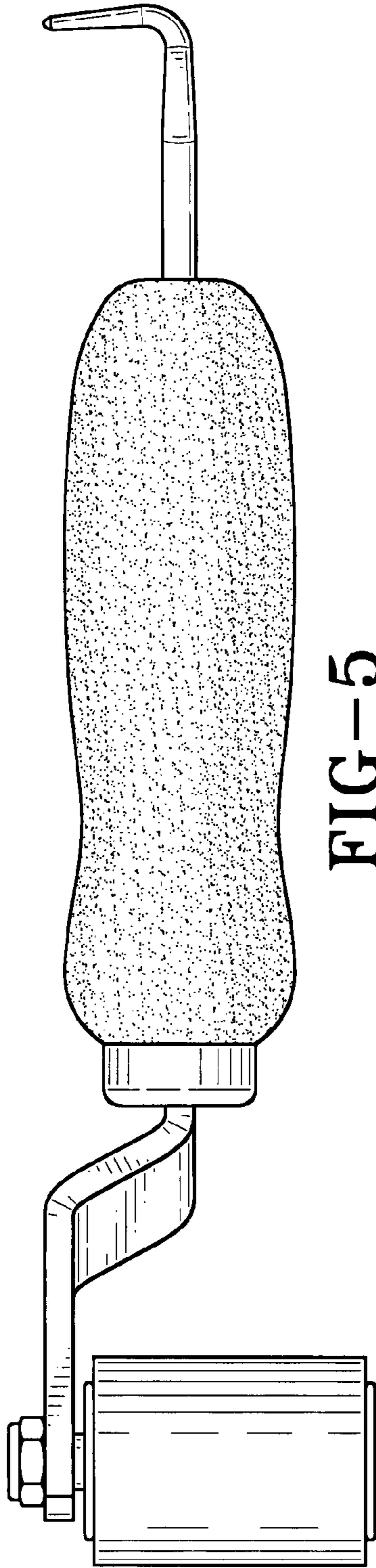


FIG-5

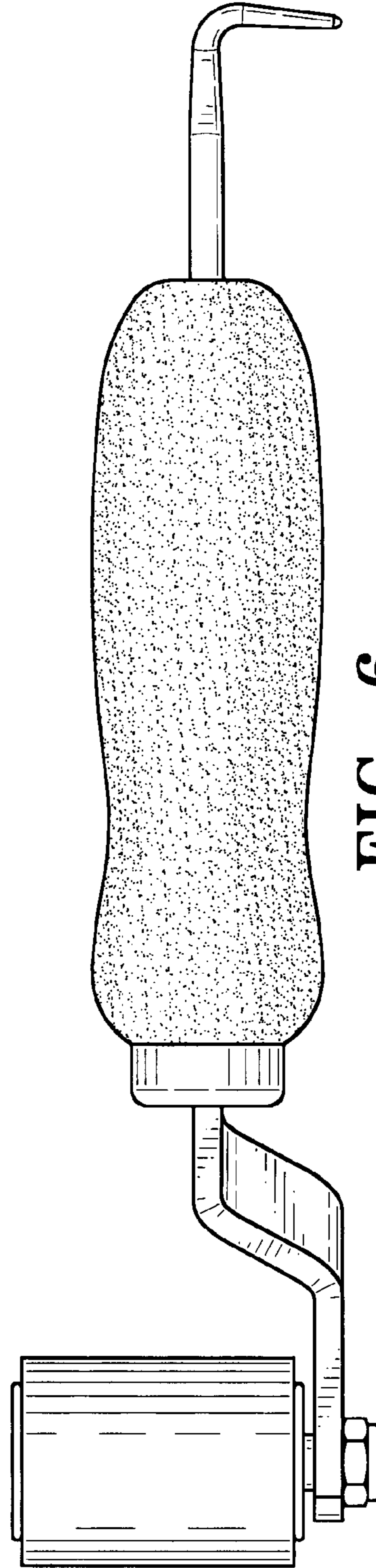


FIG-6