



US00D556520S

(12) **United States Design Patent**
Seehoff et al.

(10) **Patent No.:** **US D556,520 S**

(45) **Date of Patent:** **** Dec. 4, 2007**

(54) **SANDWICH BREAD CRUST CUTTER**

(76) Inventors: **Gary Stanley Seehoff**, 1530 S. Lewis St., Anaheim, CA (US) 92805; **Bryan Craig Golden**, 1530 S. Lewis St., Anaheim, CA (US) 93001

(**) Term: **14 Years**

(21) Appl. No.: **29/249,551**

(22) Filed: **Oct. 12, 2006**

(51) **LOC (8) Cl.** **07-04**

(52) **U.S. Cl.** **D7/675**

(58) **Field of Classification Search** D7/672,
D7/675, 676, 677, 354, 356; D1/106, 107,
D1/126-128; 30/314-317, 301, 303, 305,
30/306, 280

See application file for complete search history.

(56) **References Cited**

U.S. PATENT DOCUMENTS

D227,429 S * 6/1973 Di Lorenzo D7/675

4,245,973 A * 1/1981 Greaney 425/276
D395,208 S * 6/1998 VanHalteren et al. D7/675
D397,277 S * 8/1998 Gibbs, Jr. D7/696
D481,914 S * 11/2003 Short D7/675

* cited by examiner

Primary Examiner—Terry A Wallace

(57) **CLAIM**

The ornamental design for a sandwich bread crust cutter, as shown.

DESCRIPTION

FIG. 1 is a top plan view of the sandwich bread crust cutter showing our new design;

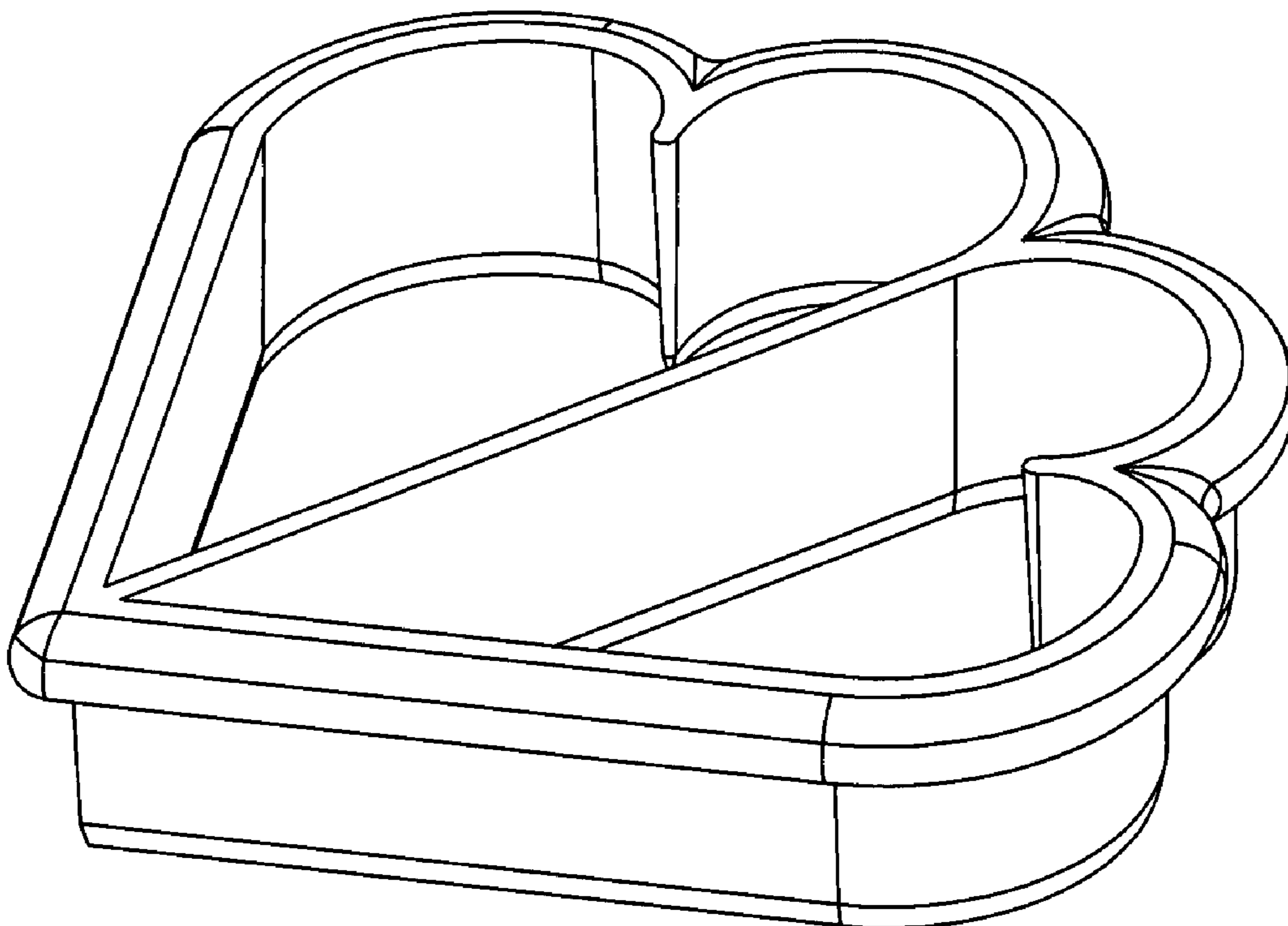
FIG. 2 is a side view thereof;

FIG. 3 is a bottom view thereof;

FIG. 4 is an isometric view thereof; and,

FIG. 5 is a cross-section view thereof taken along line 5—5 of FIG. 1.

1 Claim, 5 Drawing Sheets



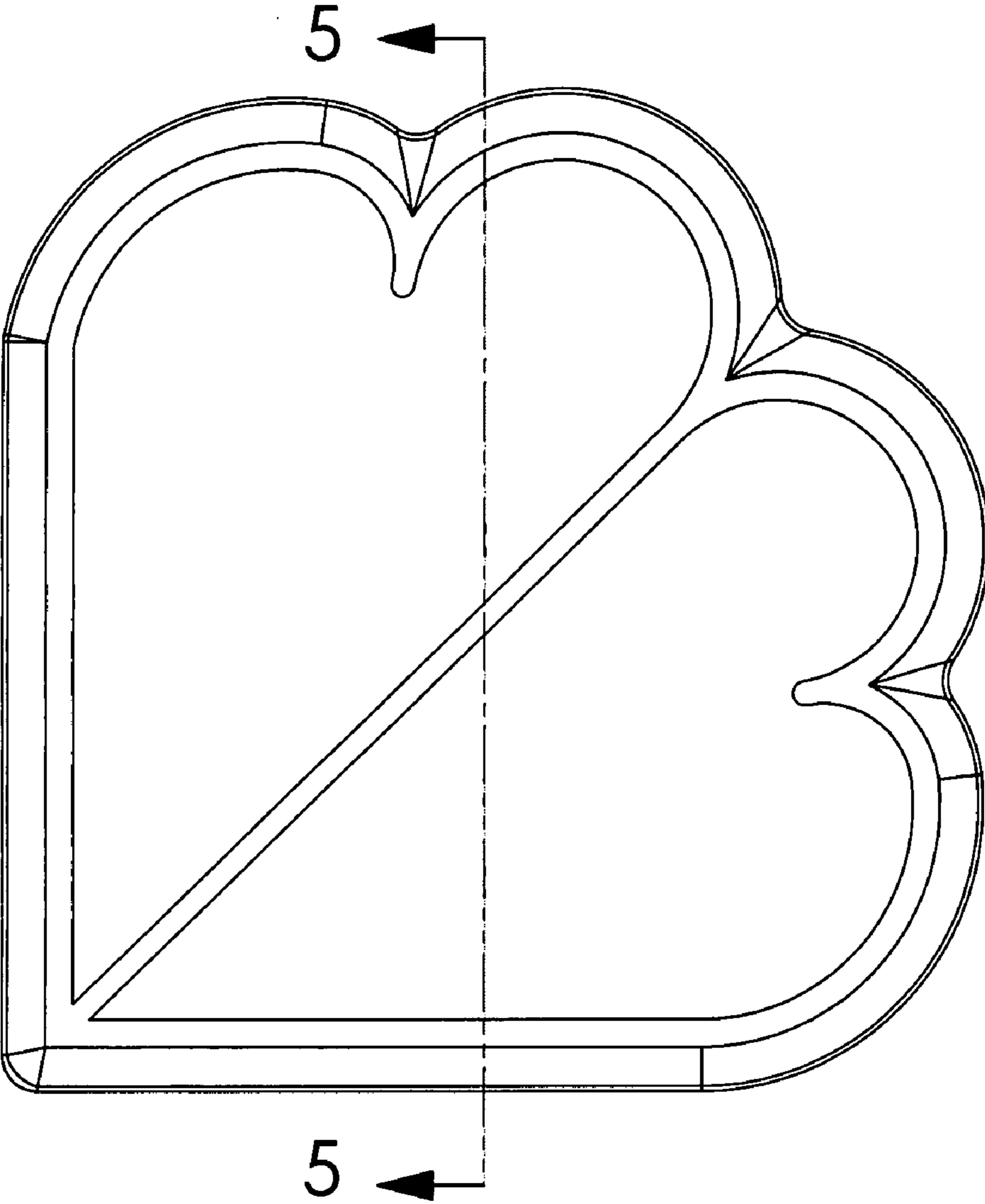


FIG. 1

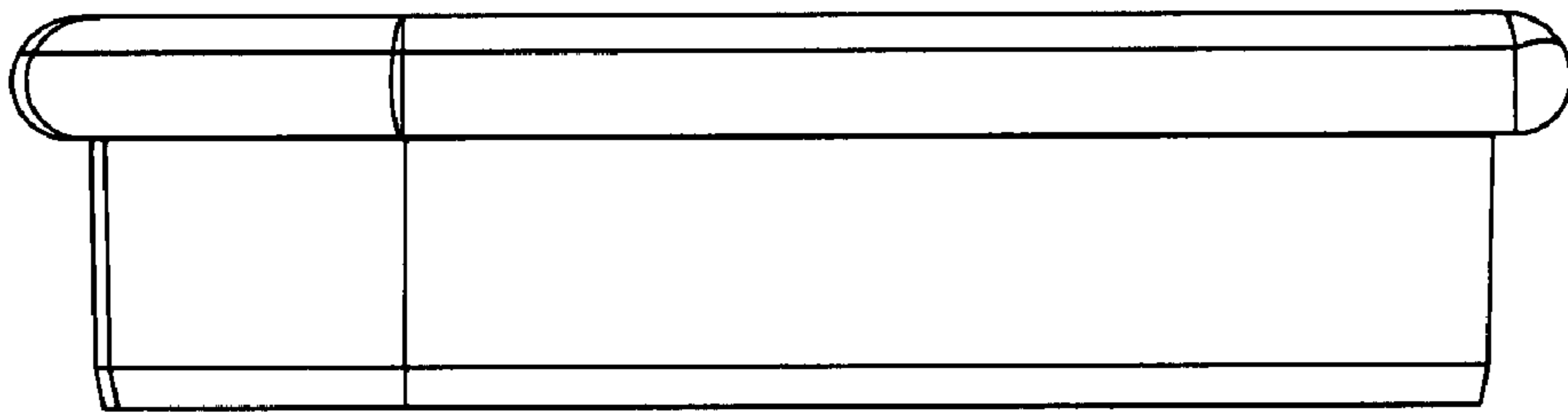


FIG: 2

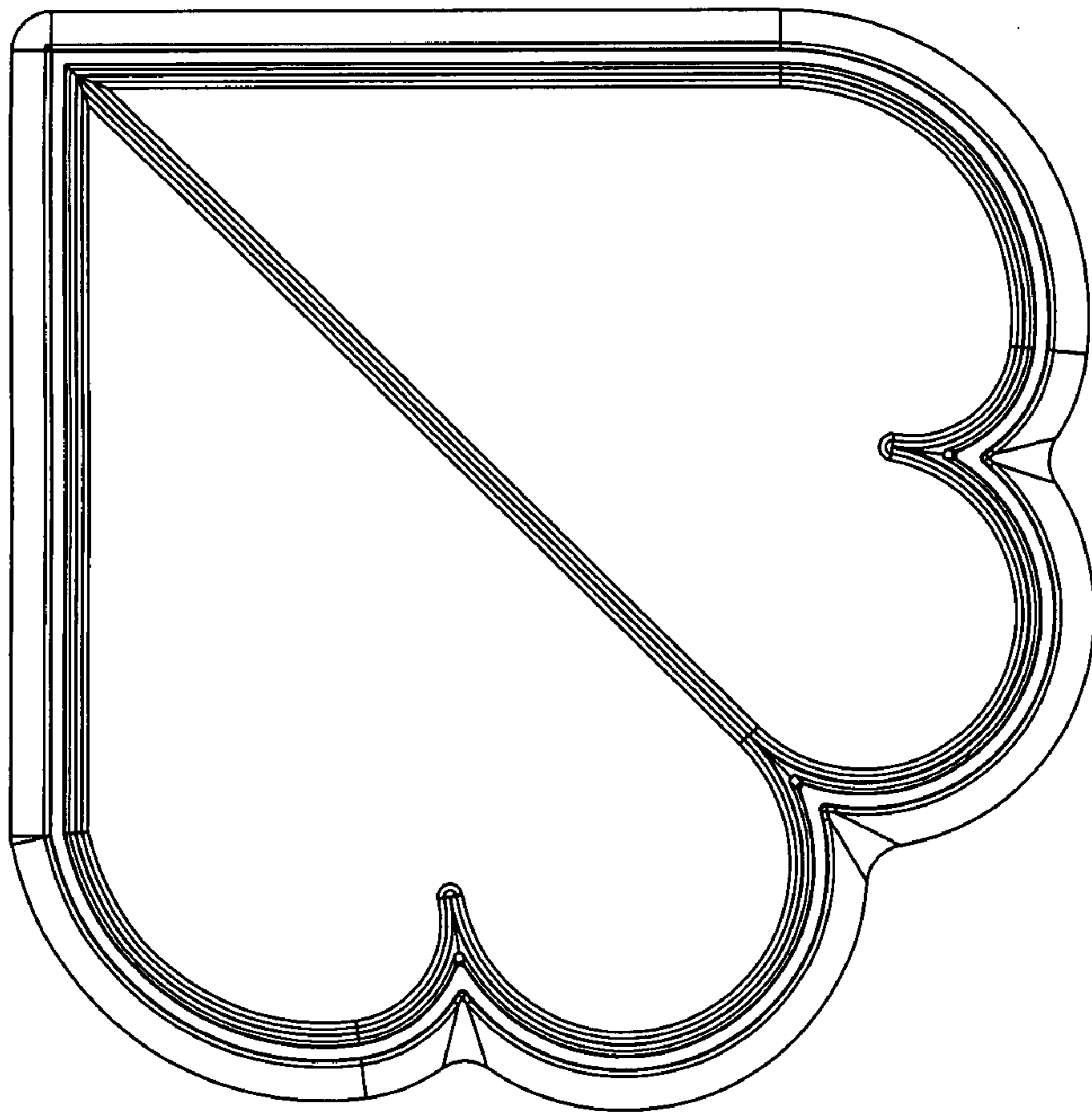


FIG: 3

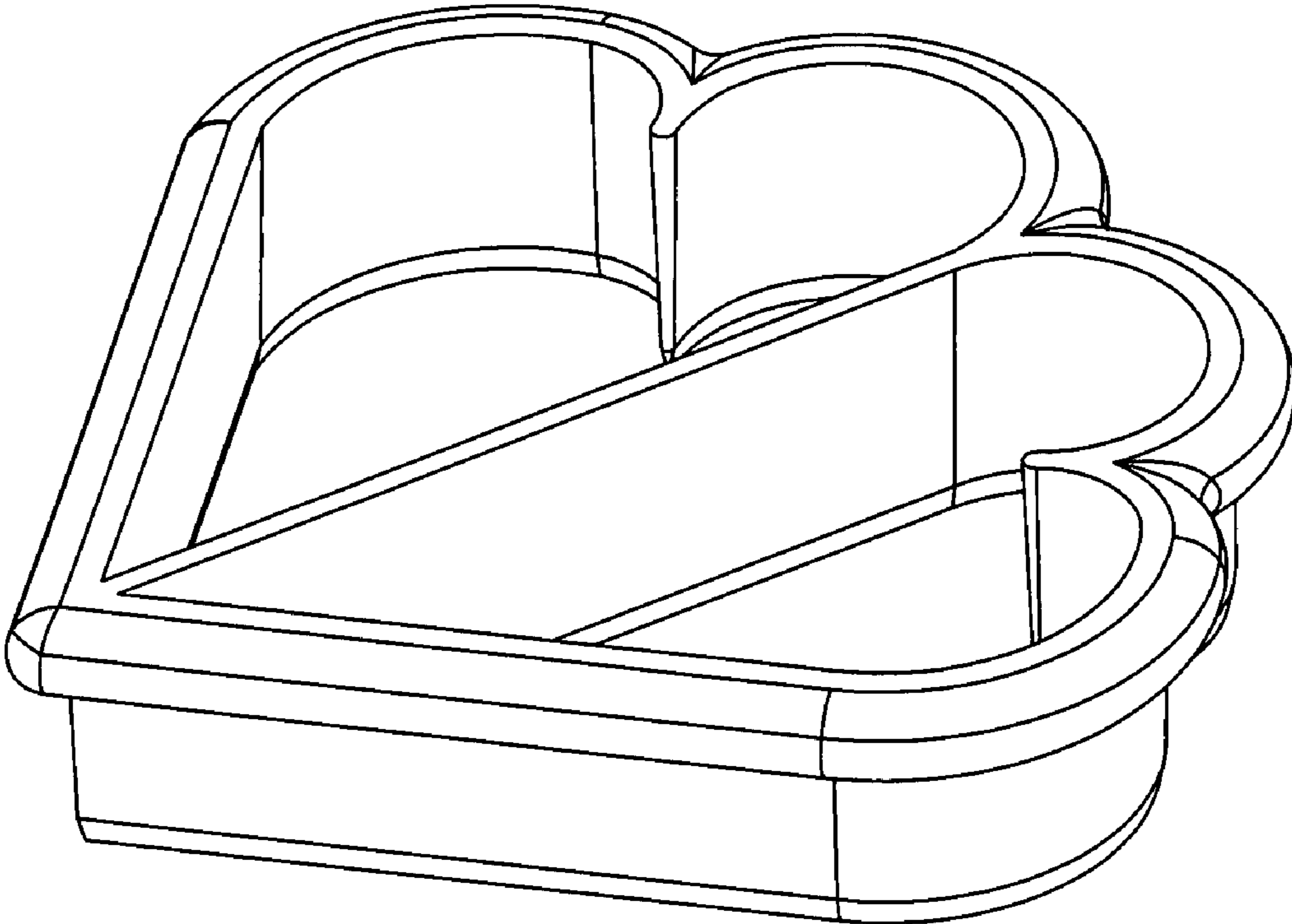


FIG: 4

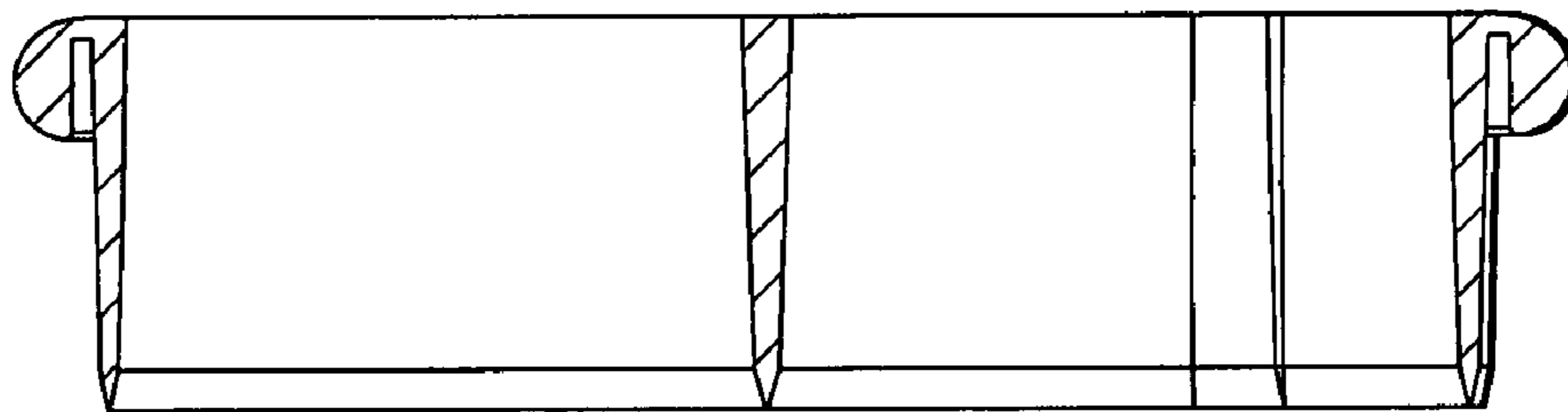


FIG: 5