



US00D556519S

(12) **United States Design Patent**
Cohen et al.

(10) **Patent No.: US D556,519 S**
(45) **Date of Patent: ** Dec. 4, 2007**

(54) **BASE FOR AN ELECTRICAL APPLIANCE**
(75) Inventors: **Eli Cohen**, Lev HaSharon (IL); **Ann Grant**, New York, NY (US)
(73) Assignee: **AAC Trade Ltd.**, New York, NY (US)
(**) Term: **14 Years**
(21) Appl. No.: **29/239,554**
(22) Filed: **Oct. 3, 2005**
(51) **LOC (8) Cl.** **31-00**
(52) **U.S. Cl.** **D7/665**
(58) **Field of Classification Search** D7/665-68,
D7/368, 387, 619.1, 624.1; D21/789, 792,
D21/796; D32/56-57; 215/392-395; 248/346.11;
D8/374
See application file for complete search history.

(56) **References Cited**
U.S. PATENT DOCUMENTS
D52,486 S * 9/1918 McVicker D7/550.1
D218,351 S * 8/1970 Nestegard et al. D7/553.8
(Continued)

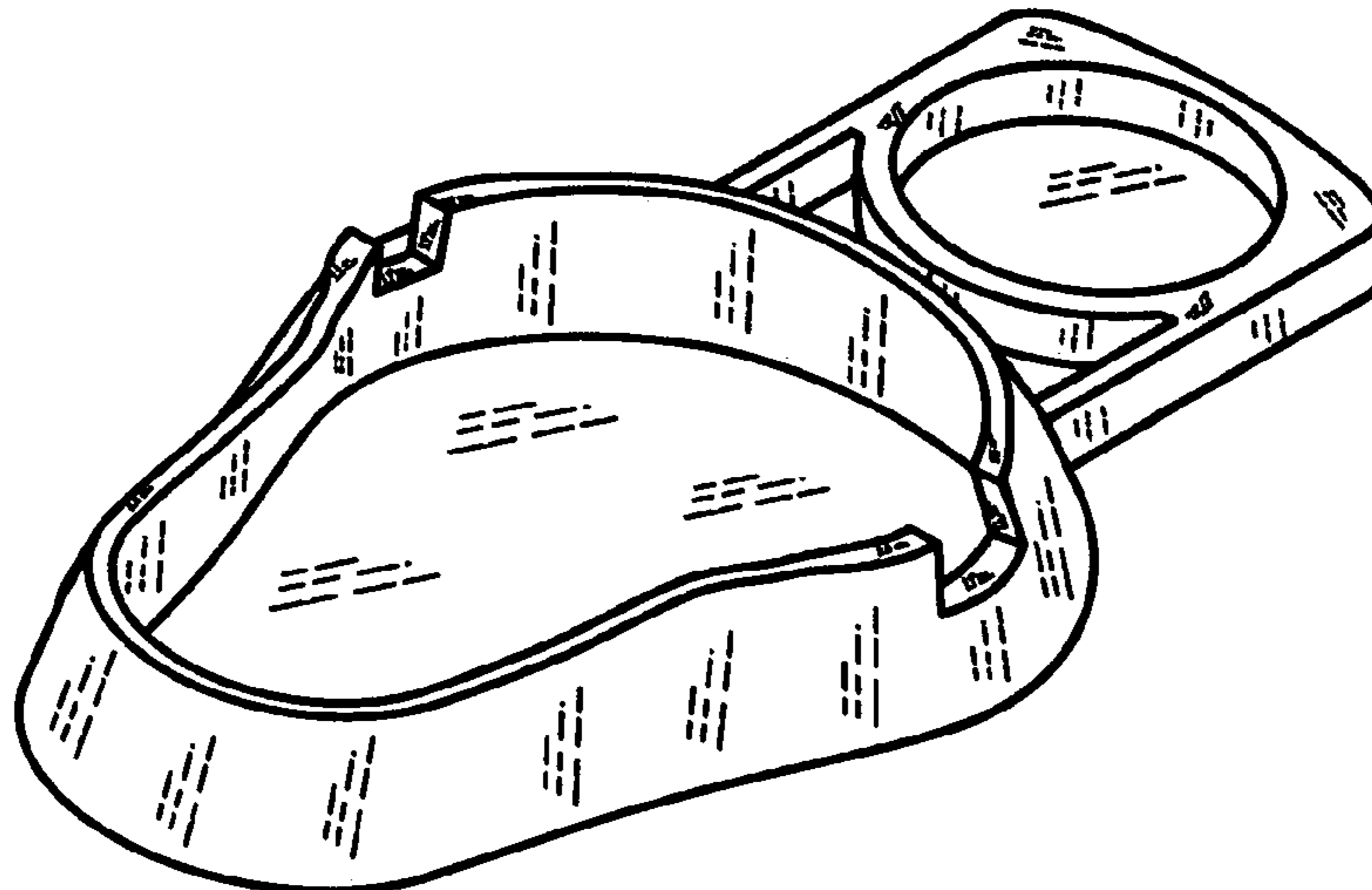
Primary Examiner—Holly H. Baynham

(57) **CLAIM**
The ornamental design for a base for an electrical appliance,
as shown and described.

DESCRIPTION
FIG. 1 is a bottom plan view of a base for an electrical
appliance embodying our new design shown in a fully open
configuration;

FIG. 2 is a top plan view thereof;
FIG. 3 is a side elevational view thereof;
FIG. 4 is a bottom plan view of the base for an electrical
appliance of FIG. 1, in a partially open configuration;
FIG. 5 is a top plan view thereof;
FIG. 6 is a side elevational view thereof;
FIG. 7 is a bottom plan view of the base for an electrical
appliance of FIGS. 1 and 4, in a closed configuration;
FIG. 8 is a top plan view thereof;
FIG. 9 is a side elevational view thereof;
FIG. 10 is a perspective view of the appliance in which the
elements are disassembled;
FIG. 11 is a perspective elevational view of the appliance in
a fully open configuration;
FIG. 12 is a perspective elevational view of the appliance in
a closed configuration;
FIG. 13 is a front view of the appliance in which the
elements are disassembled;
FIG. 14 is a front elevational view of the appliance in a fully
open configuration;
FIG. 15 is a front elevational view of the appliance in a
closed configuration;
FIG. 16 is a rear view of the appliance in which the elements
are disassembled;
FIG. 17 is a rear elevational view of the appliance in a fully
open configuration; and,
FIG. 18 is a rear elevational view of the appliance in a closed
configuration.

1 Claim, 6 Drawing Sheets



US D556,519 S

Page 2

U.S. PATENT DOCUMENTS

D227,640 S	*	7/1973	Biondi	D7/624.1	D448,626 S	*	10/2001	Lillelund et al.	D7/624.1
D244,984 S	*	7/1977	Pomerantz	D7/624.1	D507,938 S	*	8/2005	Lutzker	D7/619.1
D401,107 S	*	11/1998	Rimback	D7/368	D508,828 S	*	8/2005	Cohen et al.	D7/665

* cited by examiner

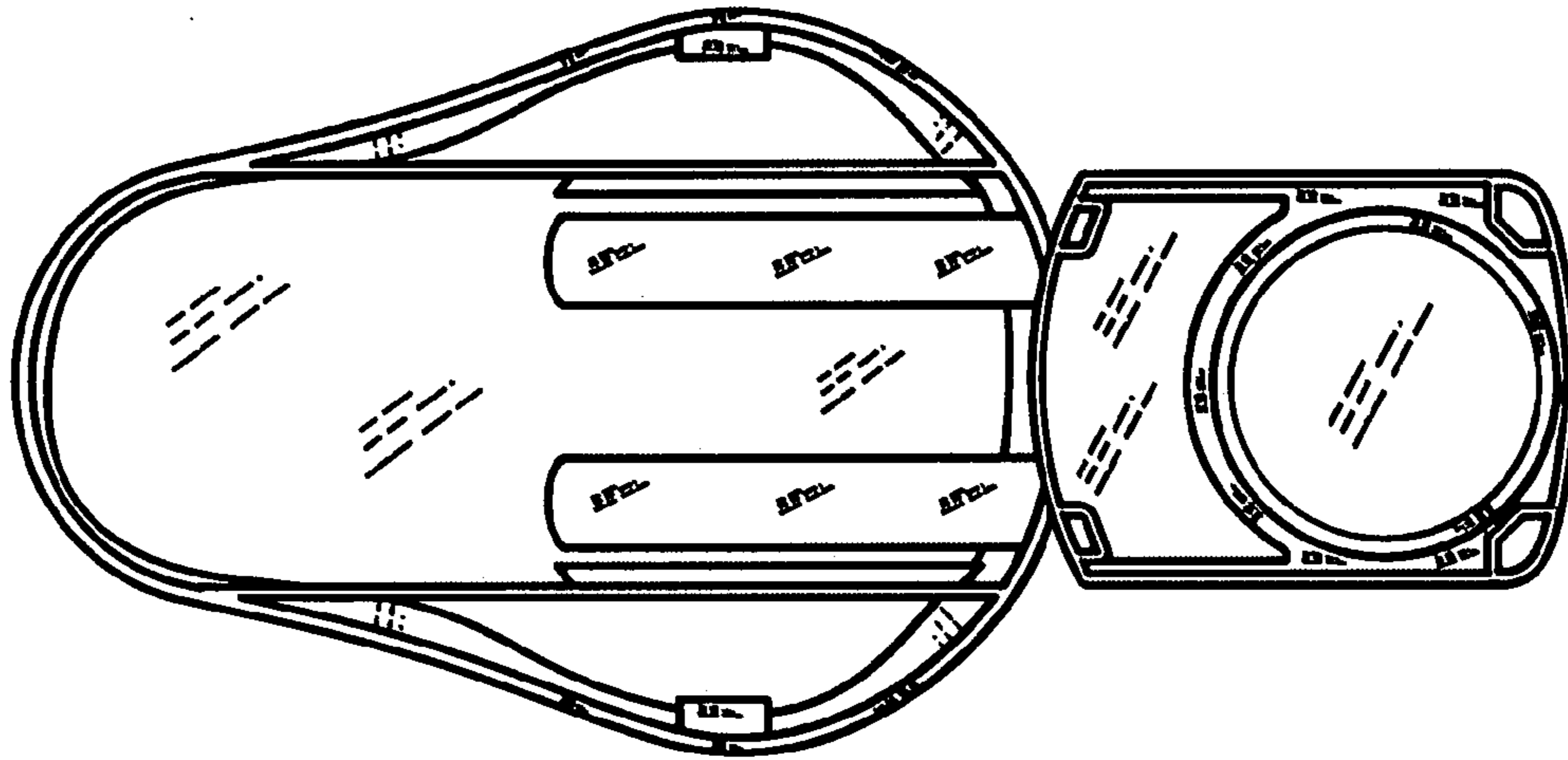


Fig. 1

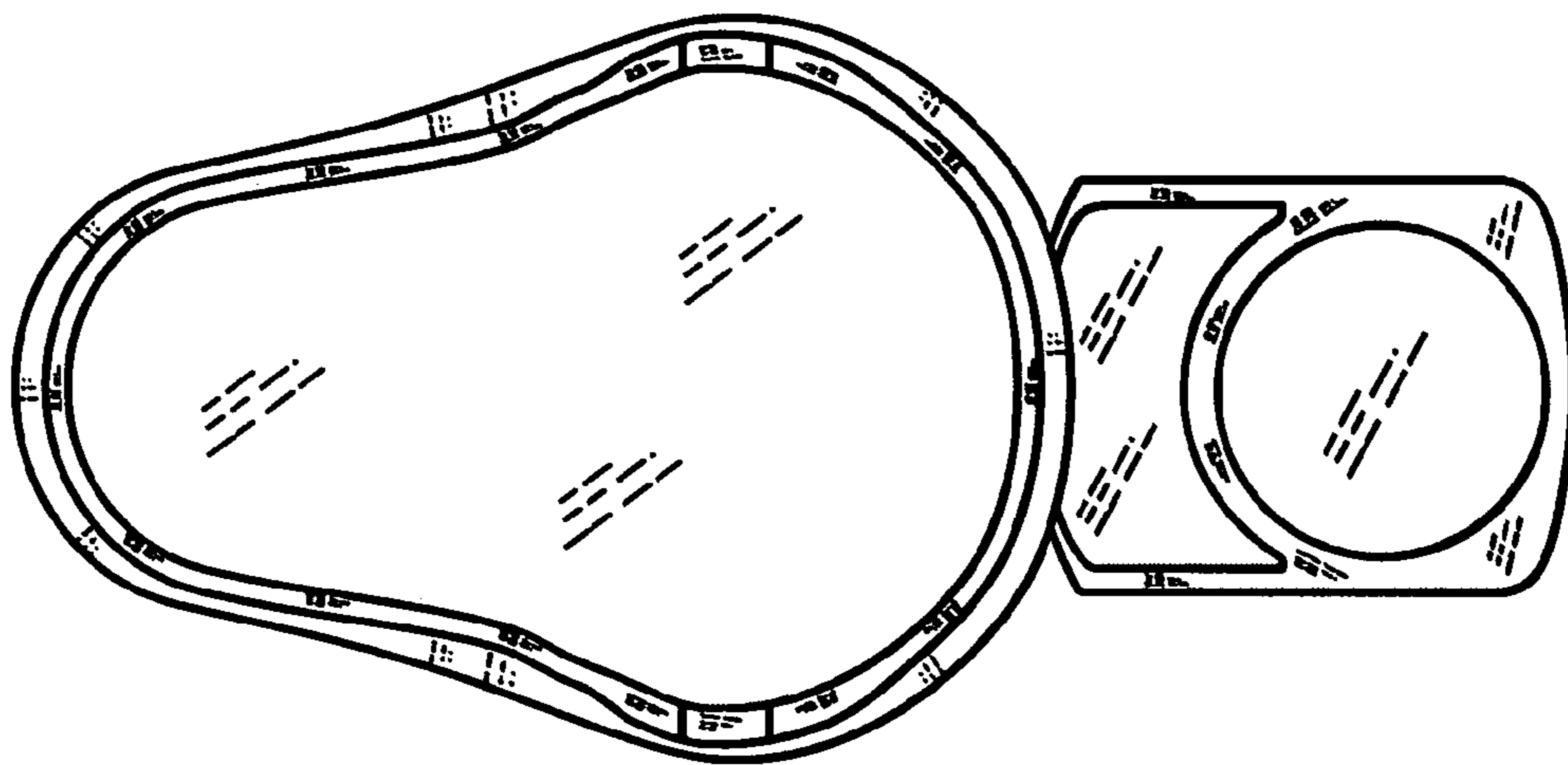


Fig. 2

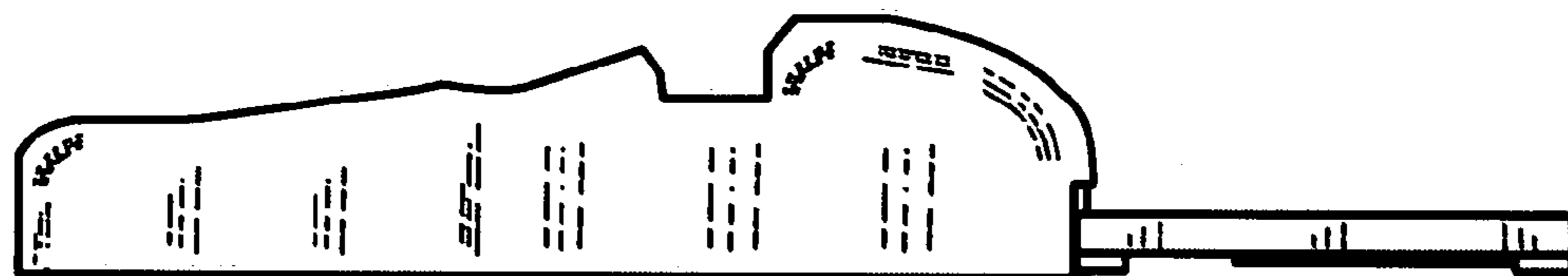


Fig. 3

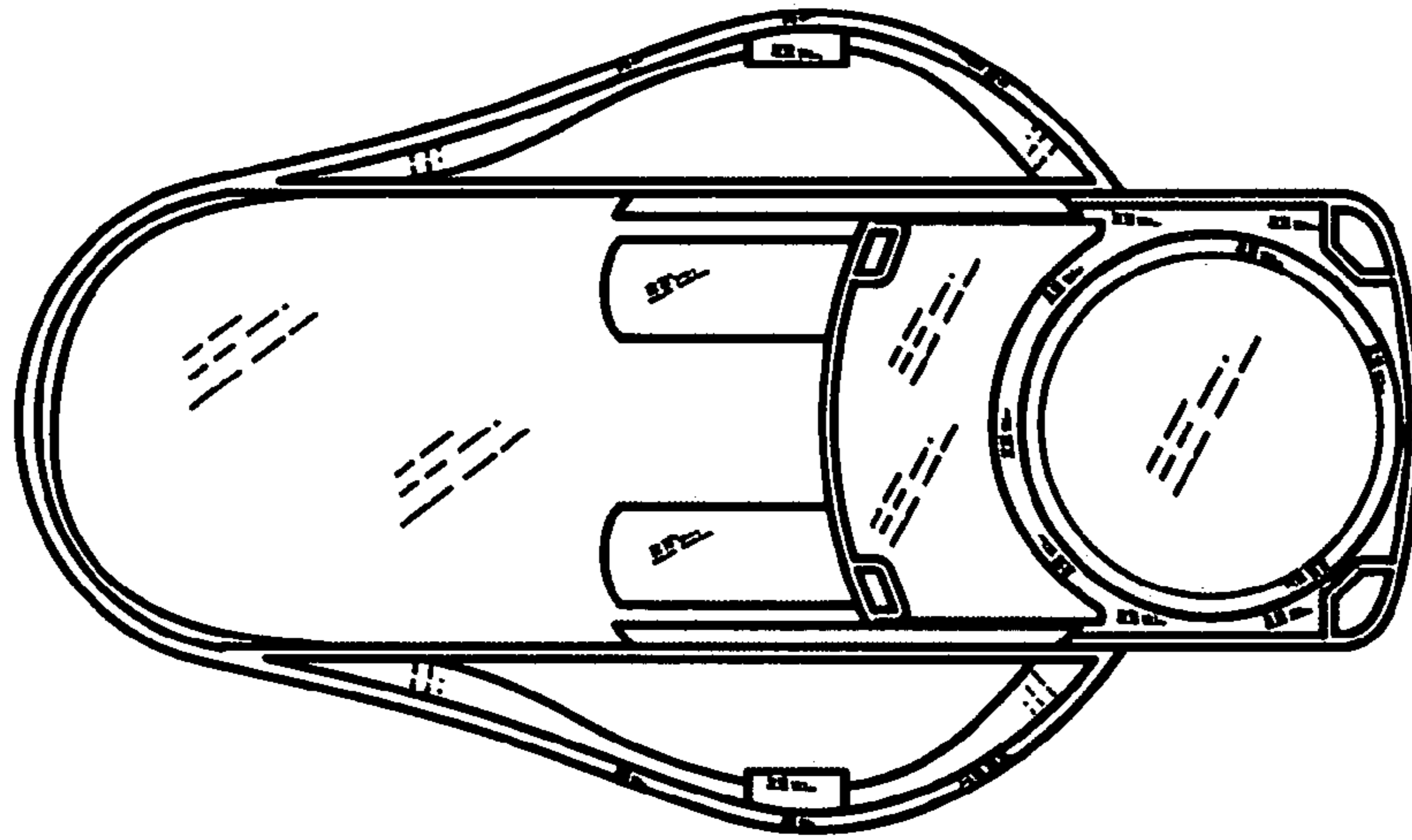


Fig. 4

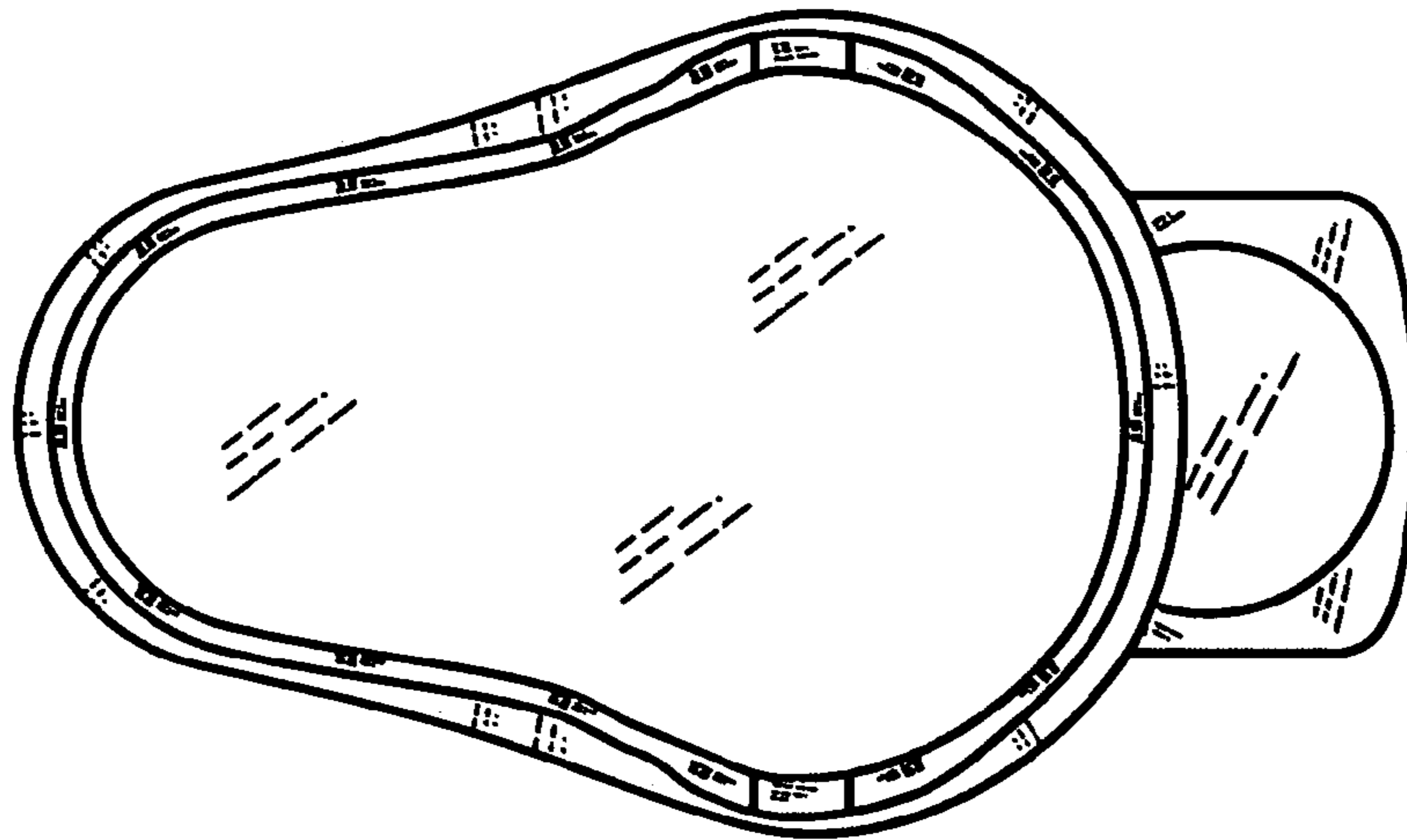


Fig. 5

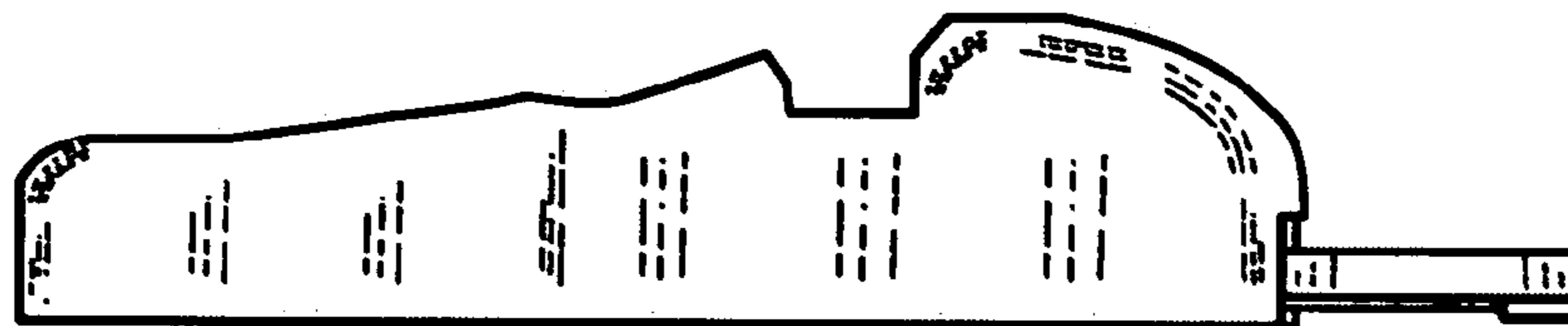


Fig. 6

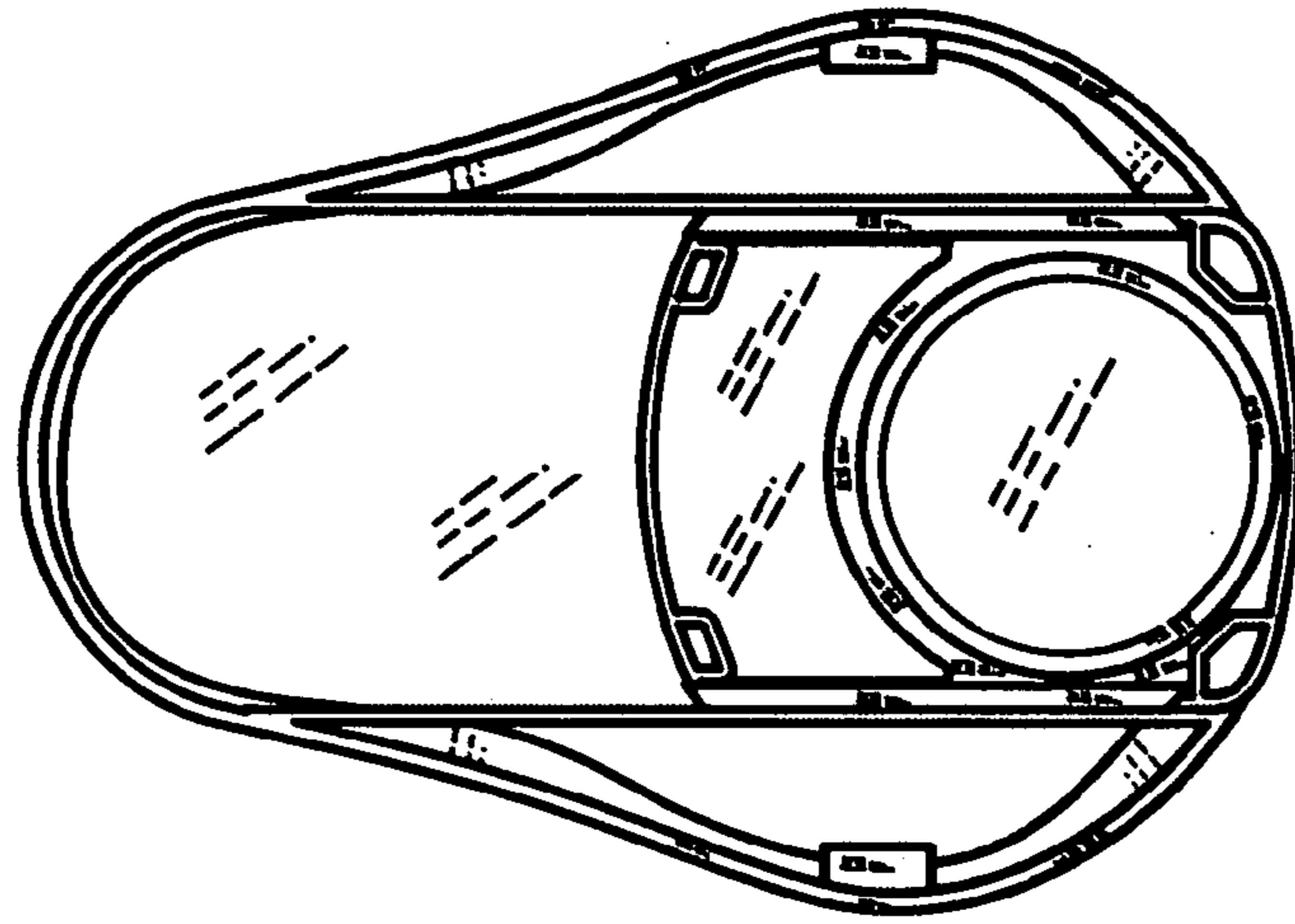


Fig. 7

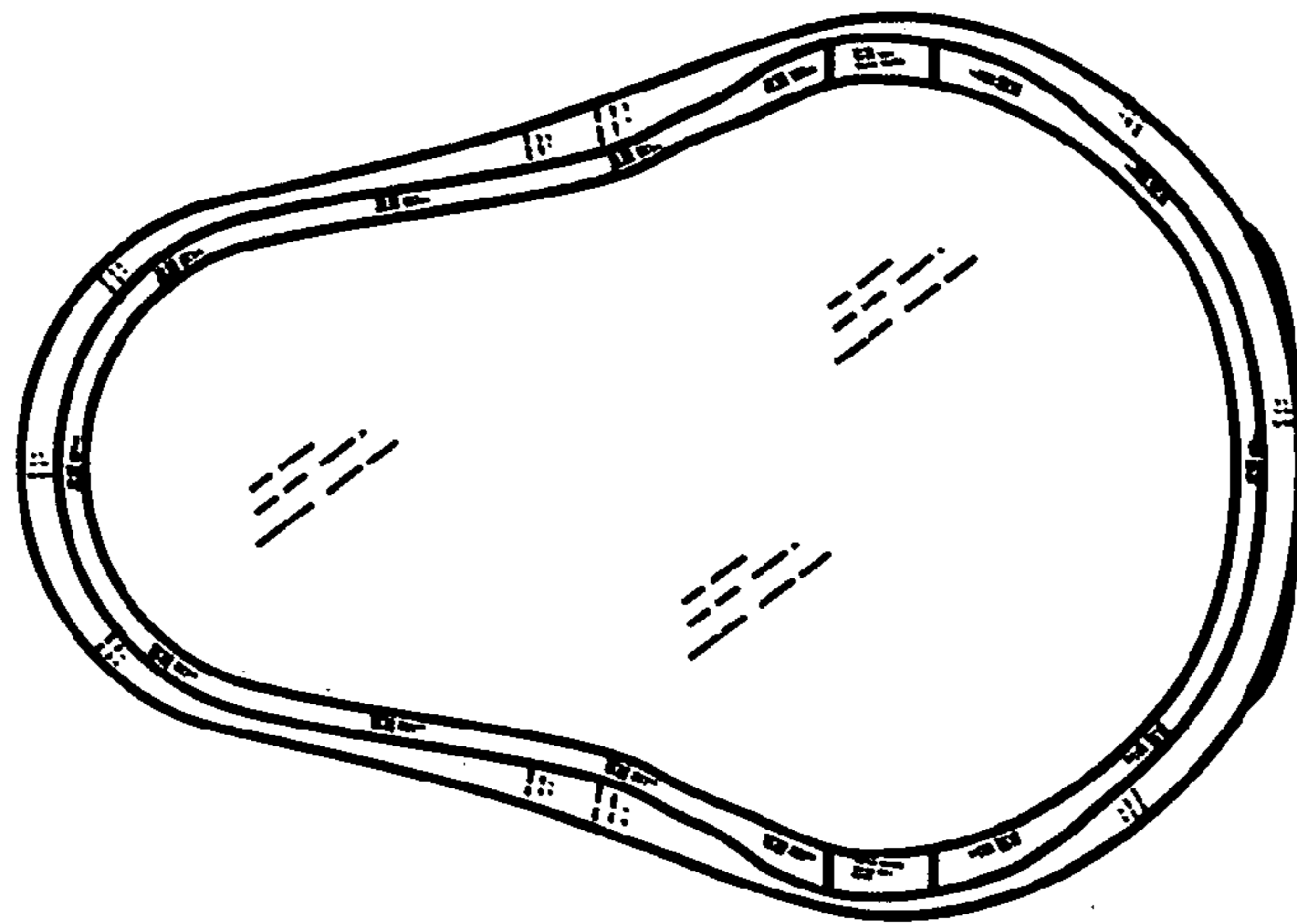


Fig. 8

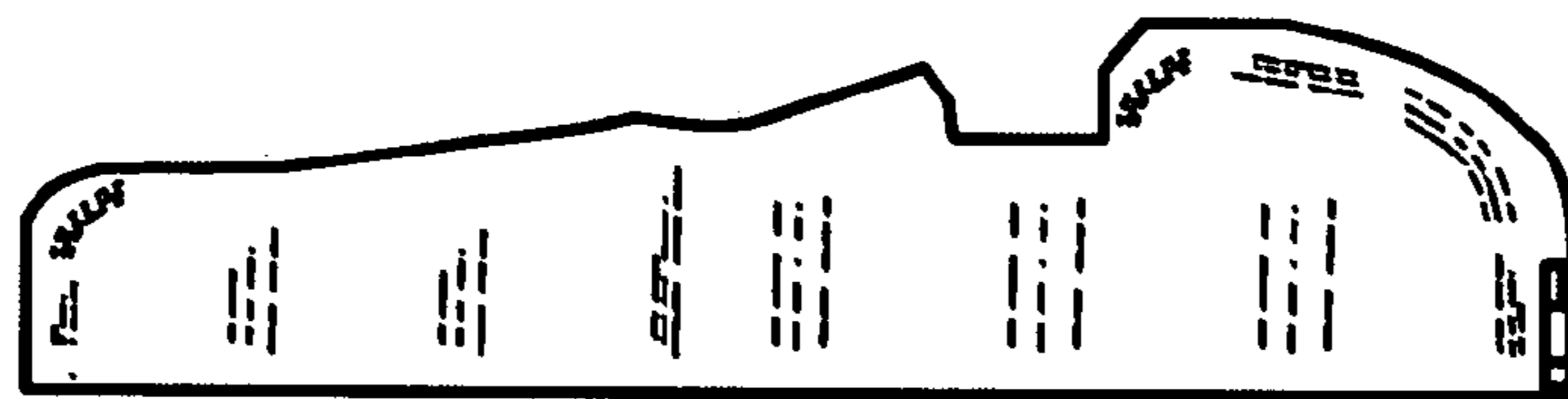


Fig. 9

Fig. 10

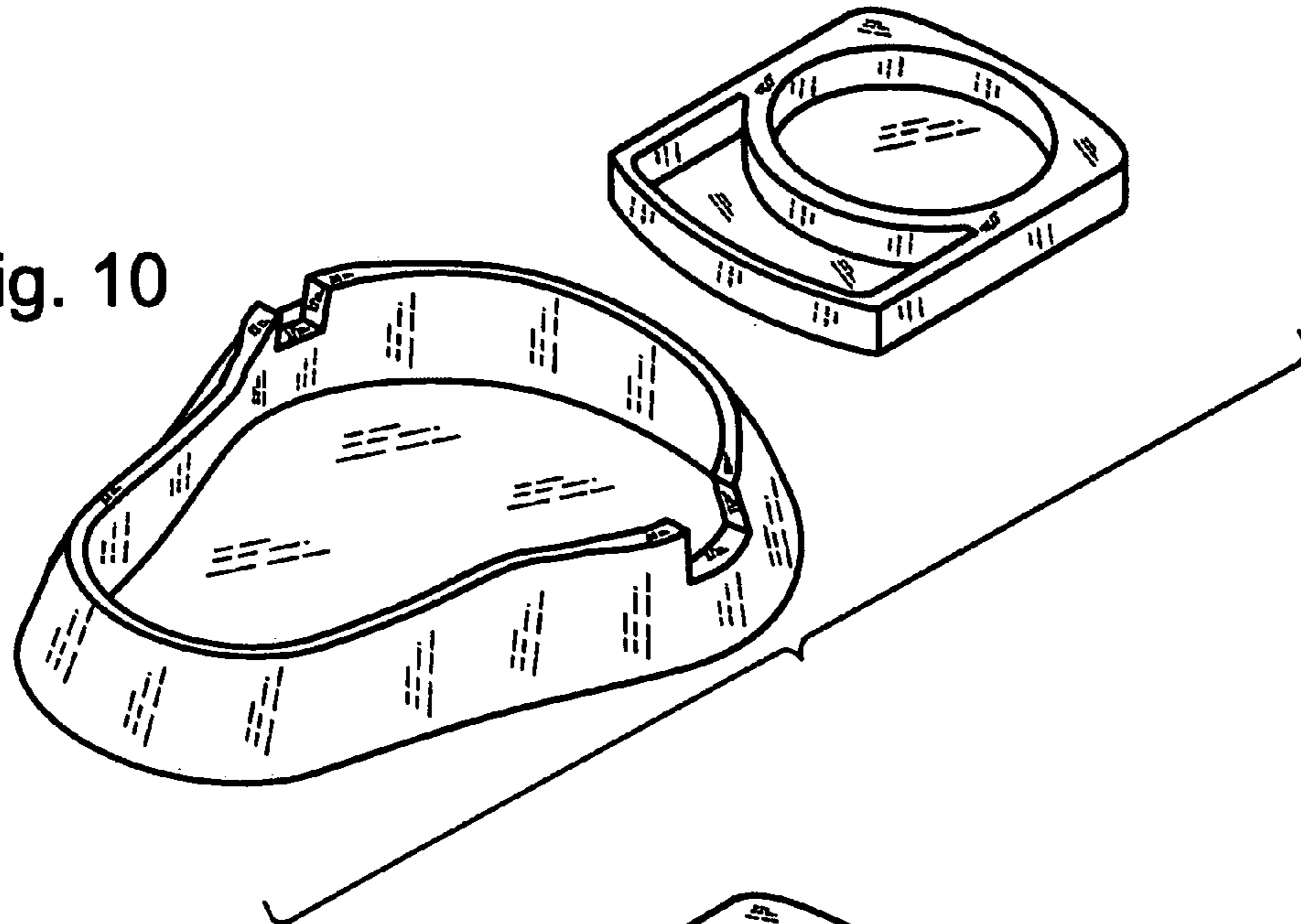


Fig. 11

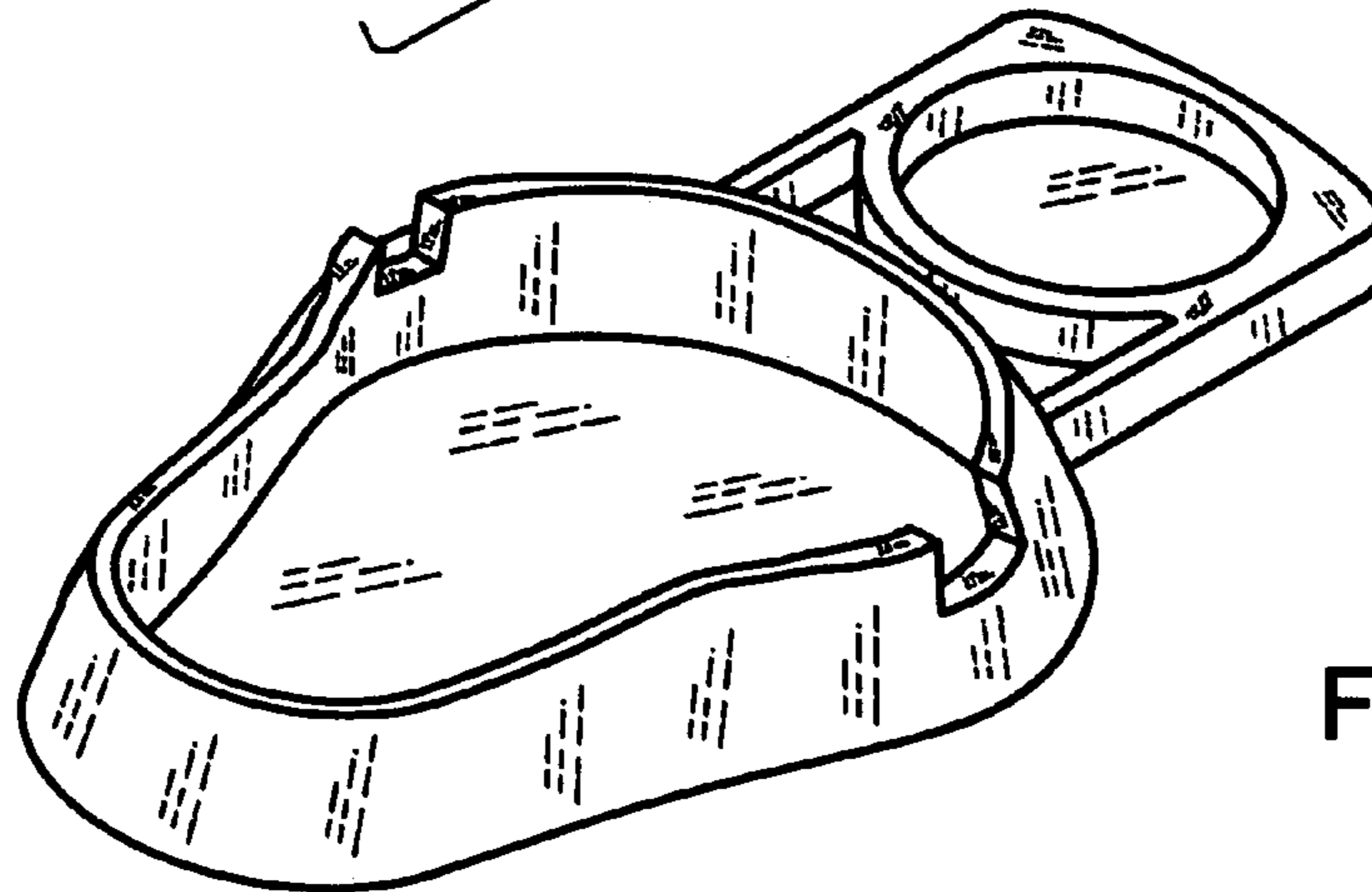
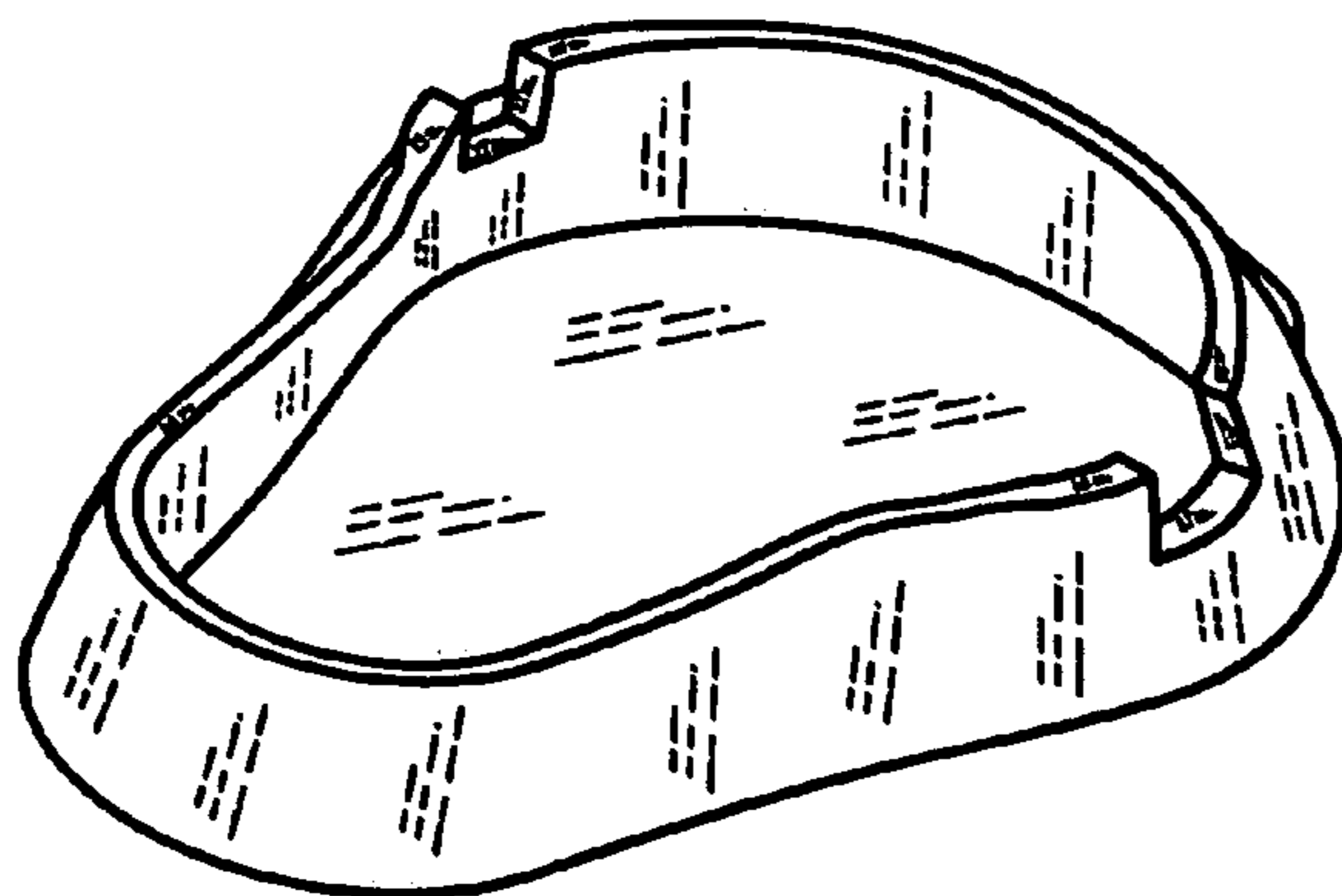


Fig. 12



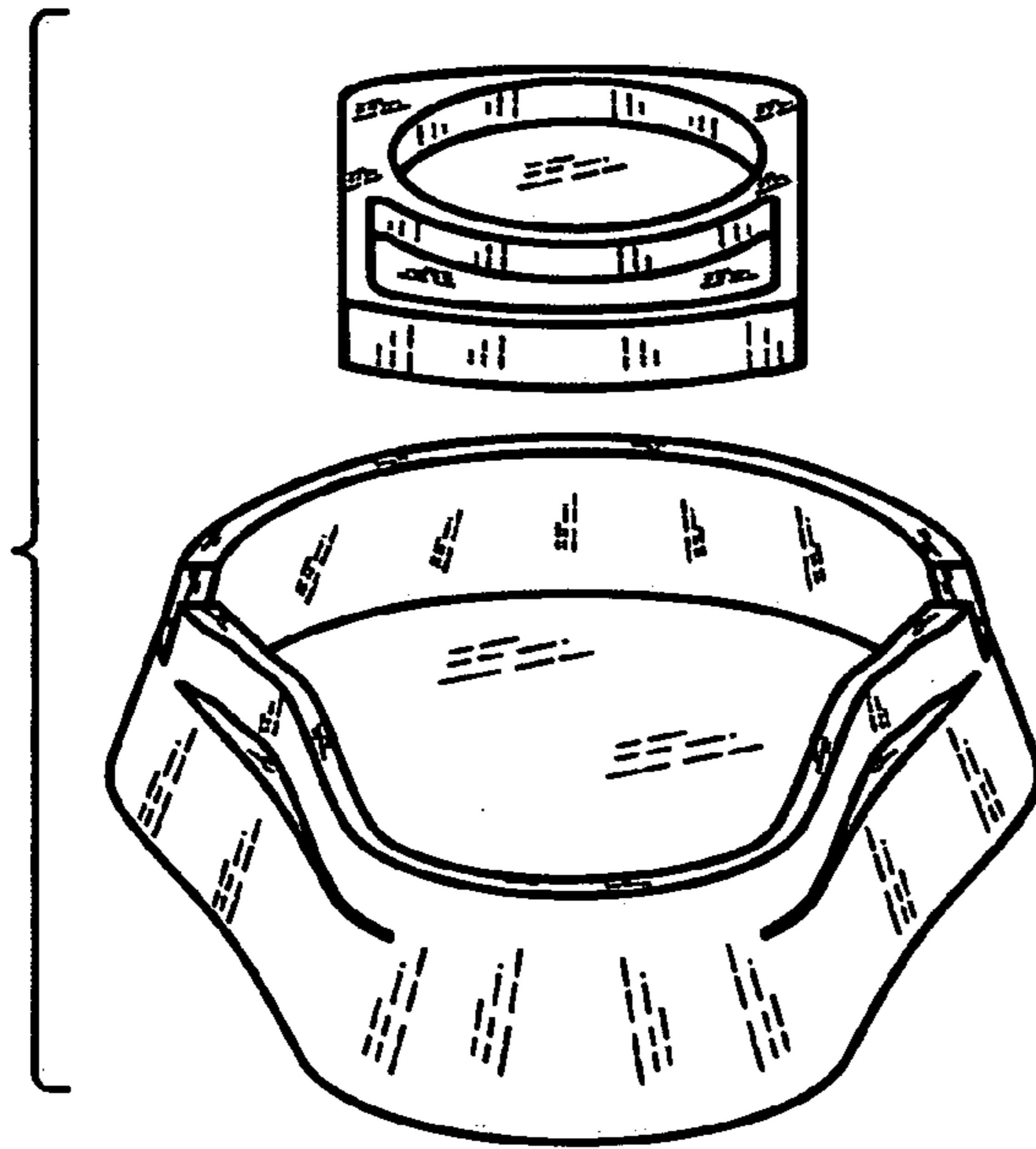


Fig. 13

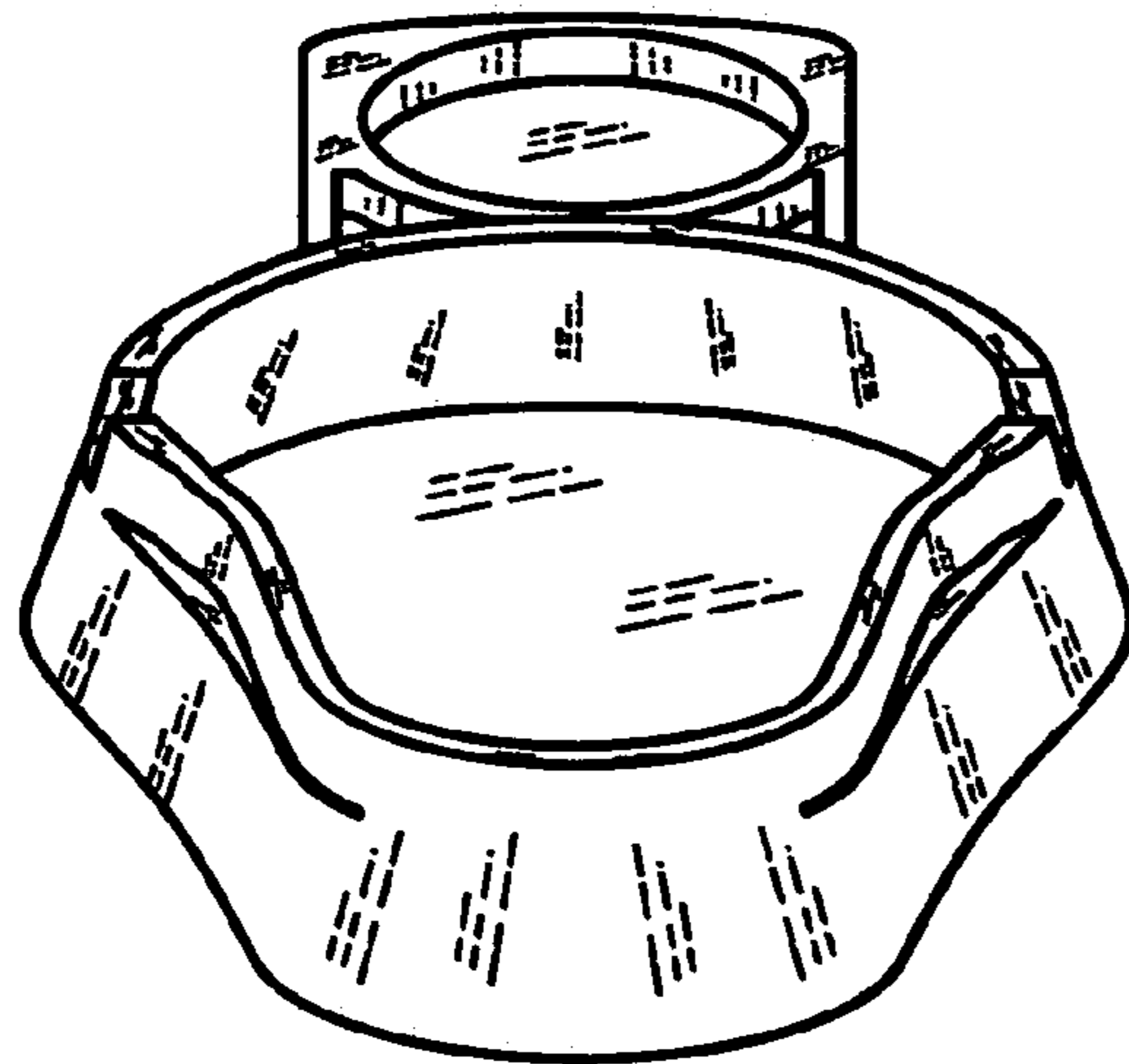


Fig. 14

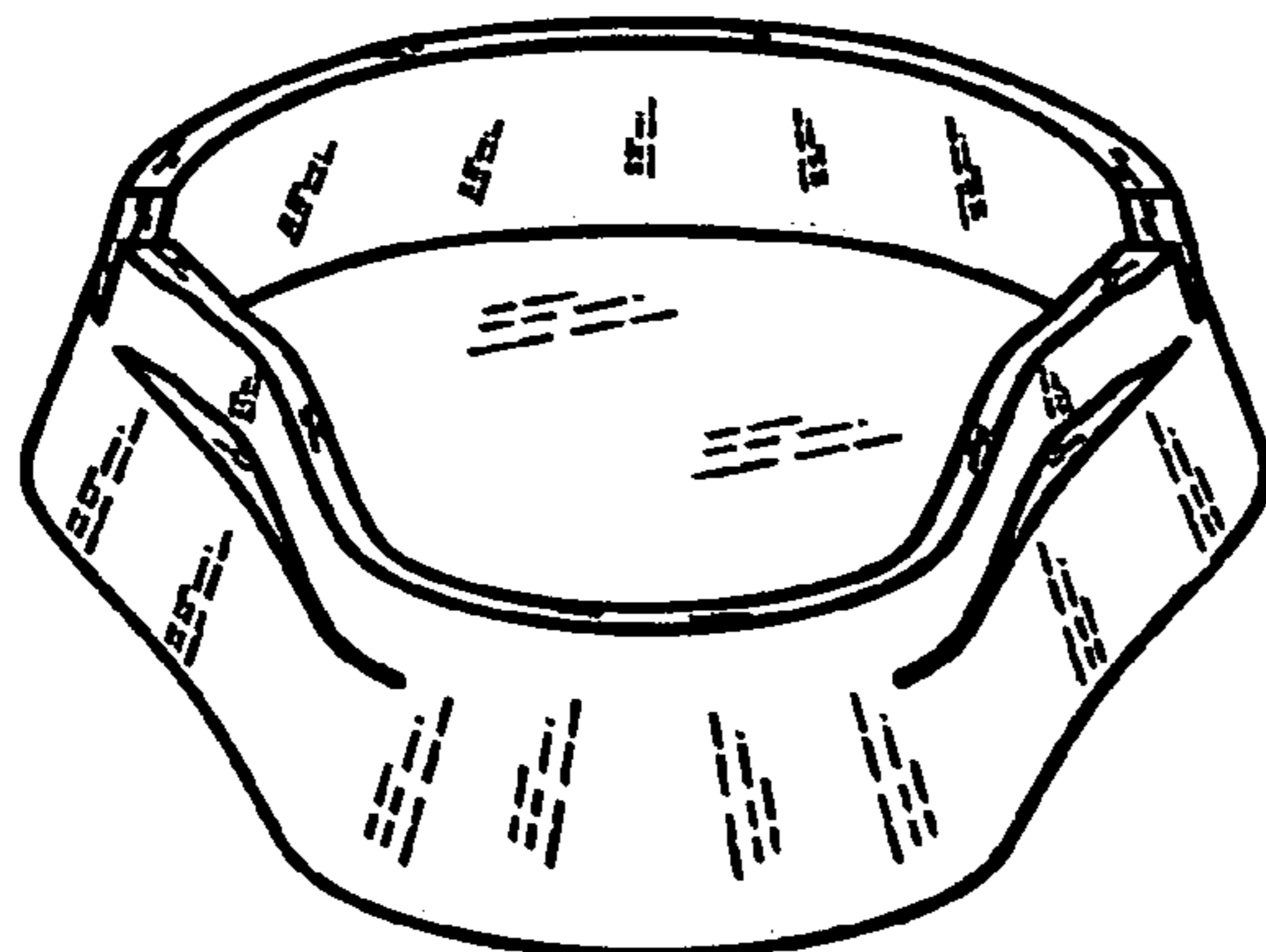


Fig. 15

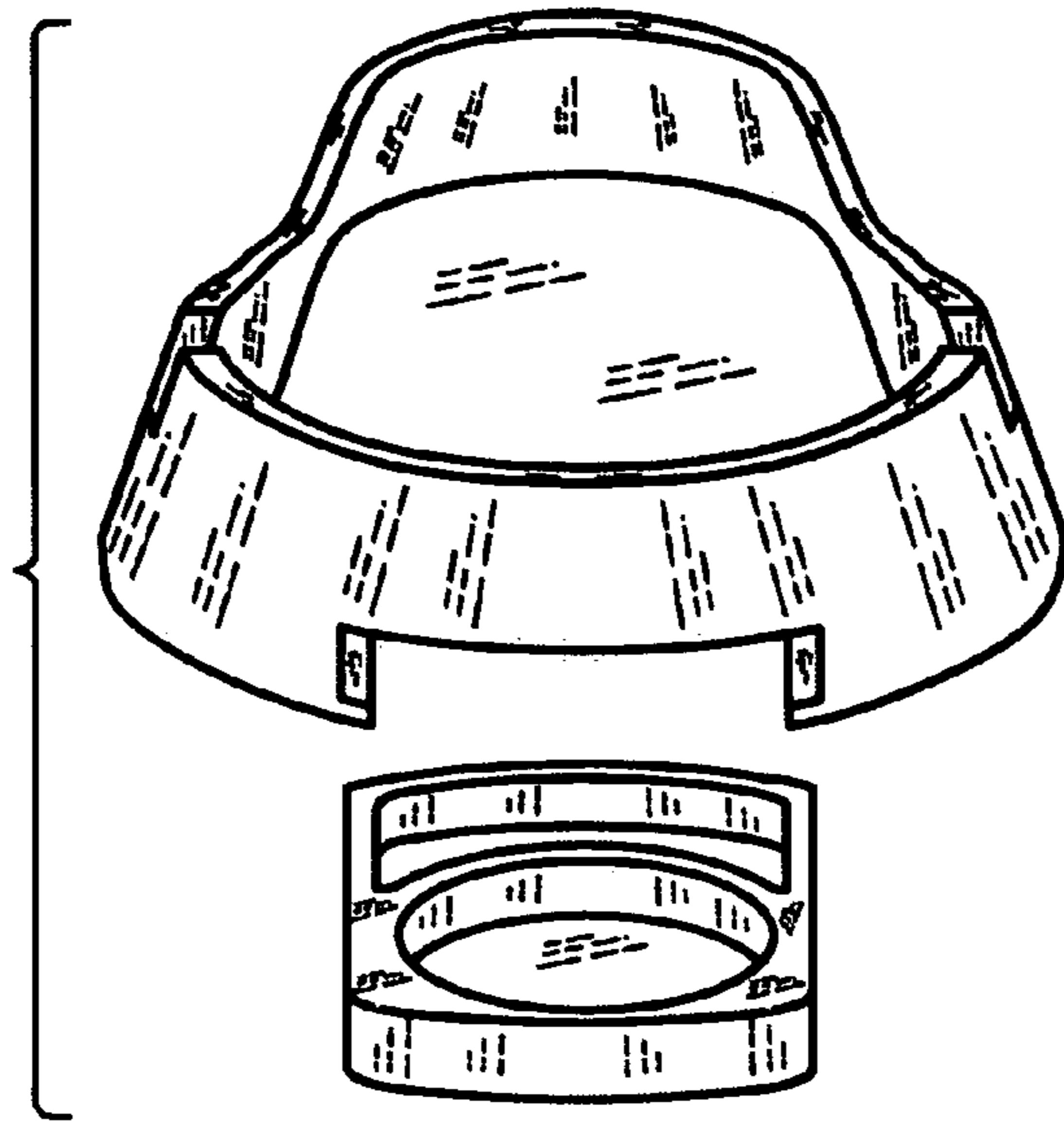


Fig. 16

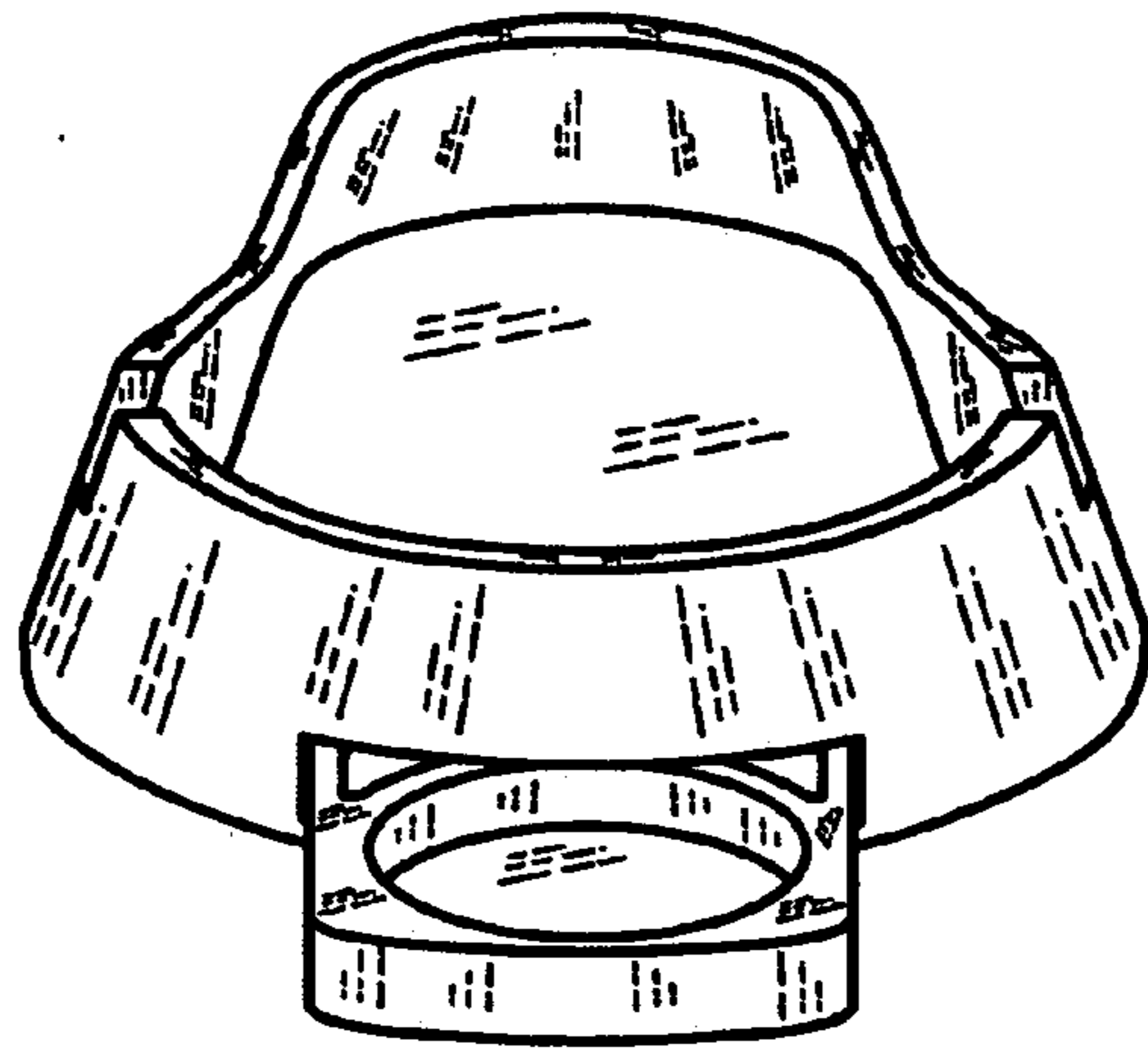


Fig. 17

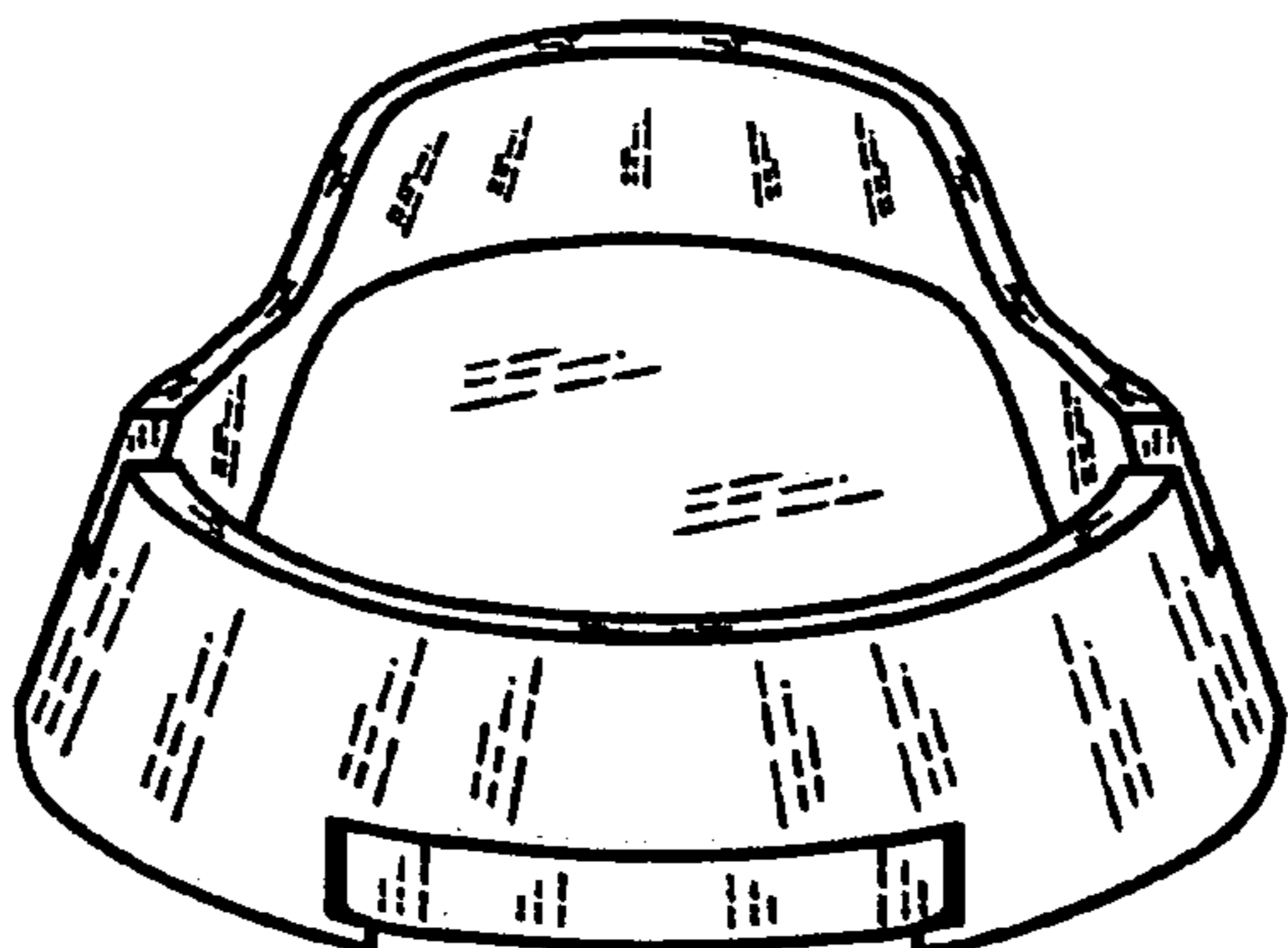


Fig. 18