



US00D556512S

(12) **United States Design Patent**
Mansfield

(10) **Patent No.:** **US D556,512 S**
(45) **Date of Patent:** **** Dec. 4, 2007**

(54) **DRINKING CUP**

(76) Inventor: **Bryan D. Mansfield**, c/o Hurricane Shooters LLC, 2306 60th Dr. East, Bradenton, FL (US) 34203

(**) Term: **14 Years**

(21) Appl. No.: **29/250,895**

(22) Filed: **Dec. 4, 2006**

Related U.S. Application Data

(63) Continuation-in-part of application No. 29/246,552, filed on Apr. 21, 2006, now Pat. No. Des. 541,107, which is a continuation-in-part of application No. 29/244,072, filed on Dec. 5, 2005, now Pat. No. Des. 534,768, and a continuation-in-part of application No. 11/294,640, filed on Dec. 5, 2005, said application No. 29/244,072 is a continuation-in-part of application No. 11/255,572, filed on Oct. 21, 2005, said application No. 11/294,640 is a continuation-in-part of application No. 11/255,572, application No. 29/250,895, which is a continuation-in-part of application No. 11/294,640.

(51) **LOC (8) Cl.** **07-01**

(52) **U.S. Cl.** **D7/523; D7/509**

(58) **Field of Classification Search** D7/396.2, D7/500, 509, 510, 523, 524, 526-528, 530-532, D7/540, 565, 584, 900; D9/500, 502, 516, D9/519, 549, 555, 776, 778; D34/1; 215/10, 215/387, DIG. 7; 220/495.04, 560, 592.16, 220/592.17, 703; 226/406; 229/400; 383/110
See application file for complete search history.

(56) **References Cited**

U.S. PATENT DOCUMENTS

D99,531 S *	5/1936	Sterling	D7/513
2,969,903 A *	1/1961	Keith	229/110
3,563,408 A *	2/1971	Bijvoet	220/671
D222,375 S *	10/1971	Bencik	D7/523
D350,406 S *	9/1994	Gereau	D26/9
D356,978 S *	4/1995	Rahr	D11/143
D400,398 S *	11/1998	McNaughton	D7/513
6,179,453 B1 *	1/2001	McMahon	362/490

D532,257 S *	11/2006	Mansfield	D7/513
D534,768 S *	1/2007	Mansfield	D7/513
D539,091 S *	3/2007	Mansfield	D7/513
2006/0021986 A1 *	2/2006	Mansfield et al.	220/506
2007/0092608 A1 *	4/2007	Palamara et al.	426/106

* cited by examiner

Primary Examiner—Philip S. Hyder

Assistant Examiner—Cynthia Underwood

(74) *Attorney, Agent, or Firm*—Mark Douma

(57) **CLAIM**

I claim the ornamental design for a drinking cup, as shown and described.

DESCRIPTION

FIG. 1 is a perspective view of a drinking cup showing my new design;

FIG. 2 is a side elevation view thereof, with the flat side oriented toward the viewer, all other such views being identical;

FIG. 3 is a side elevation view thereof, with a vertex oriented toward the viewer, all other such views being identical;

FIG. 4 is a top plan view thereof;

FIG. 5 is a bottom plan view thereof;

FIG. 6 is a sectional view thereof taken along line 6—6 in FIG. 4;

FIG. 7 is a perspective view of another embodiment of my design as shown in FIG. 1, with an added translucent band on the inner rim, said band having a plurality of insubstantial dimples on its bottom edge;

FIG. 8 is a side elevation view thereof;

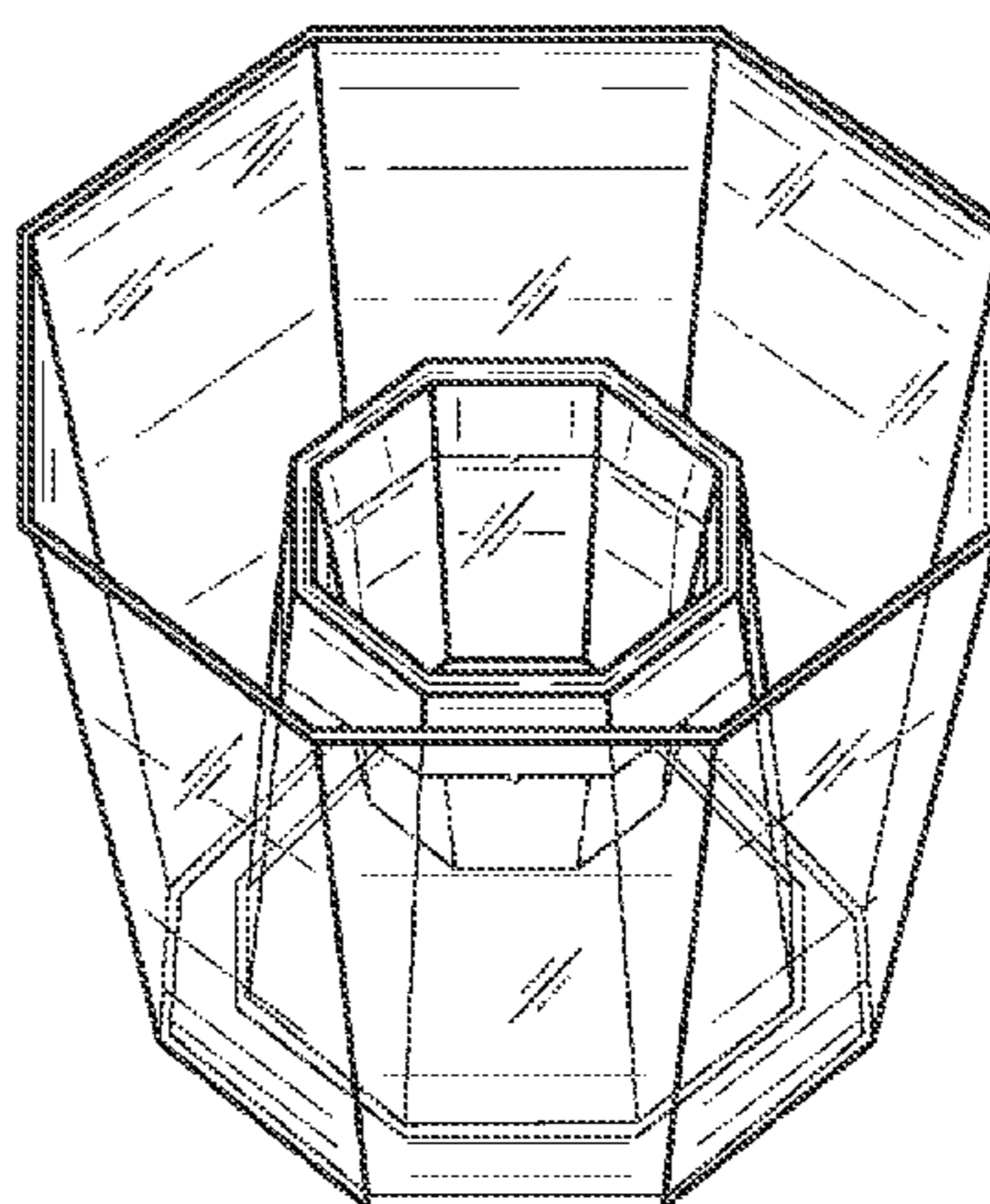
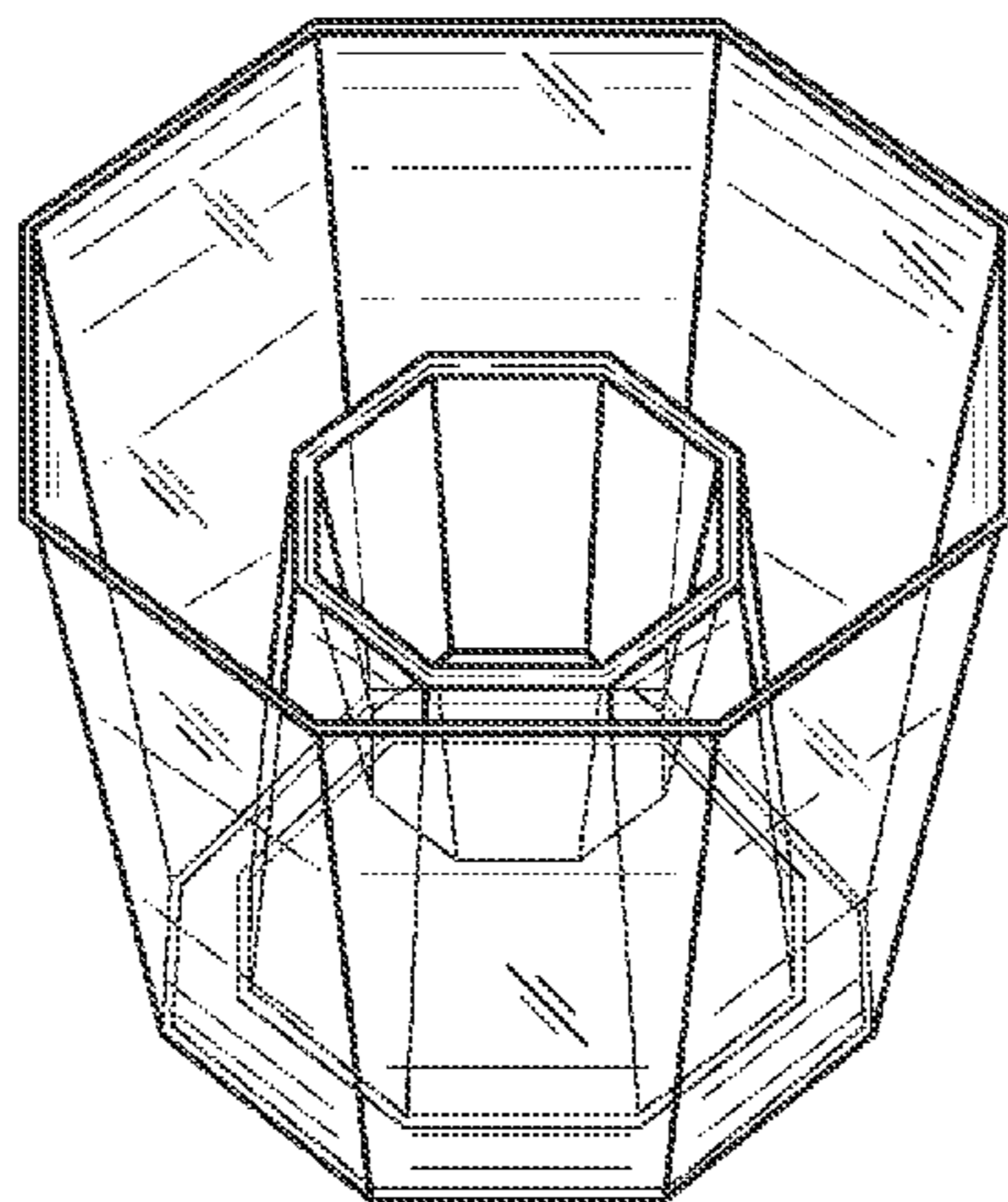
FIG. 9 is a side elevation view thereof, with a vertex oriented toward the viewer;

FIG. 10 is a top plan view thereof;

FIG. 11 is a bottom plan view thereof; and,

FIG. 12 is a sectional view thereof taken along line 12—12 in FIG. 10.

1 Claim, 8 Drawing Sheets



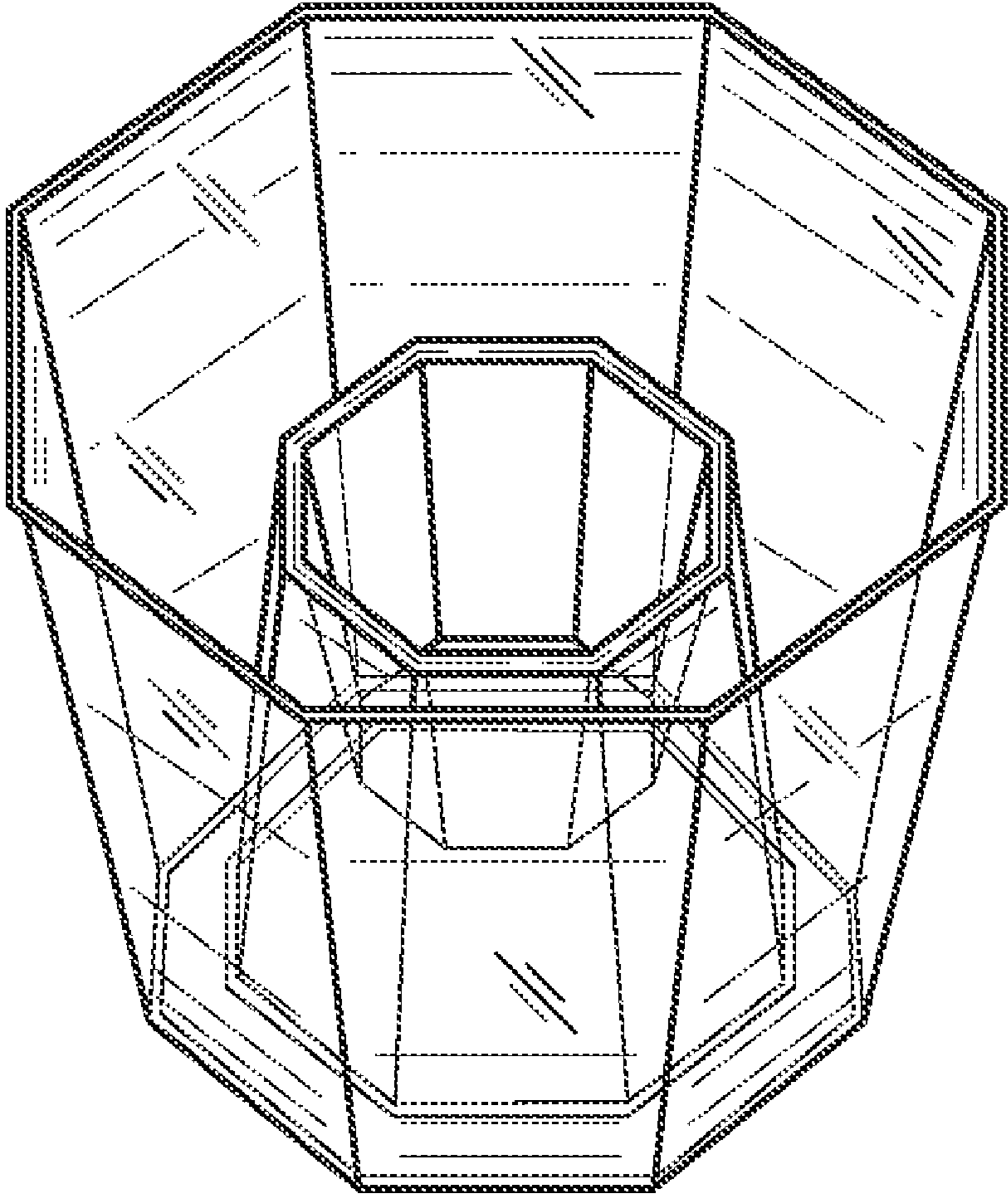


FIG. 1

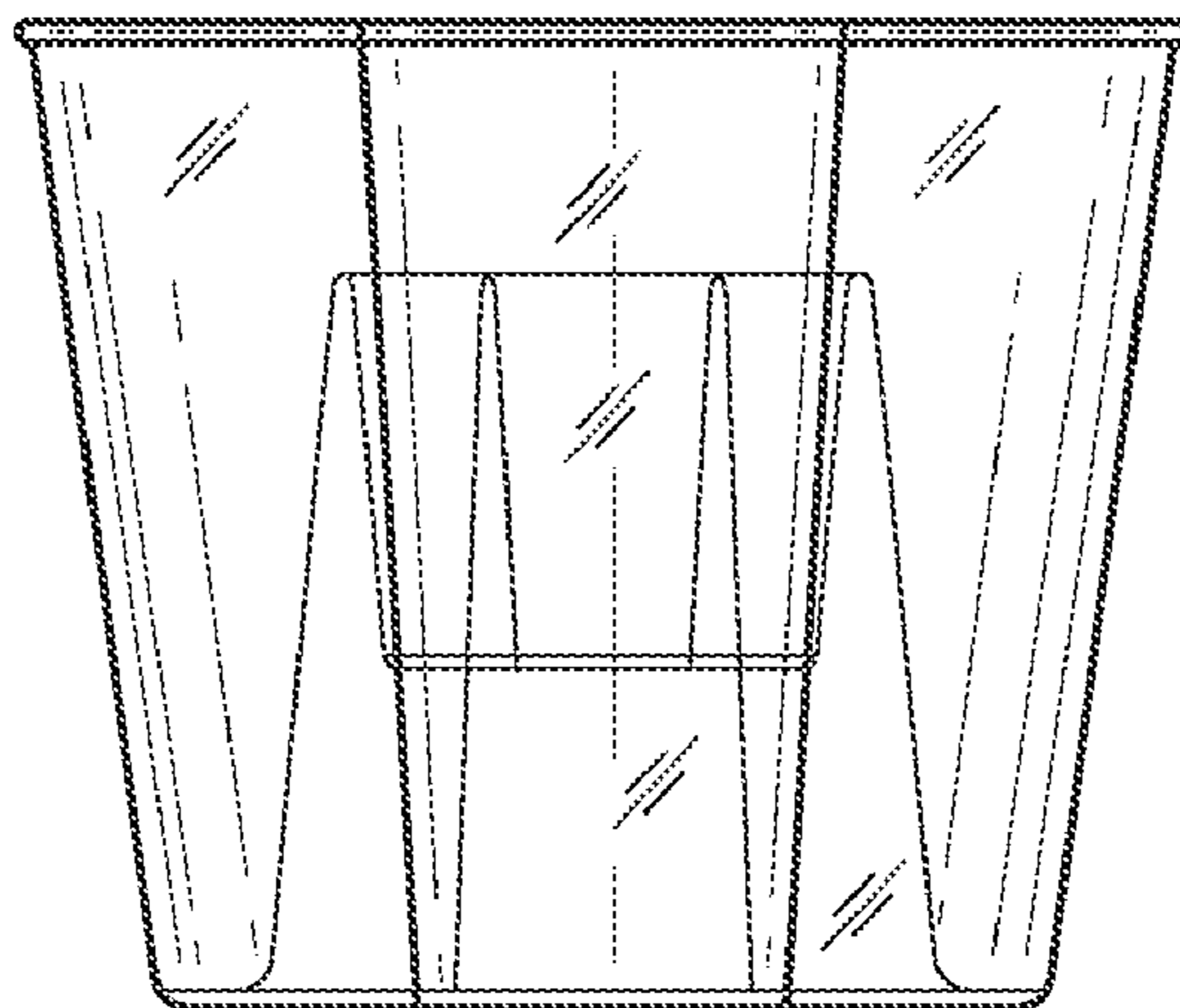


FIG. 2

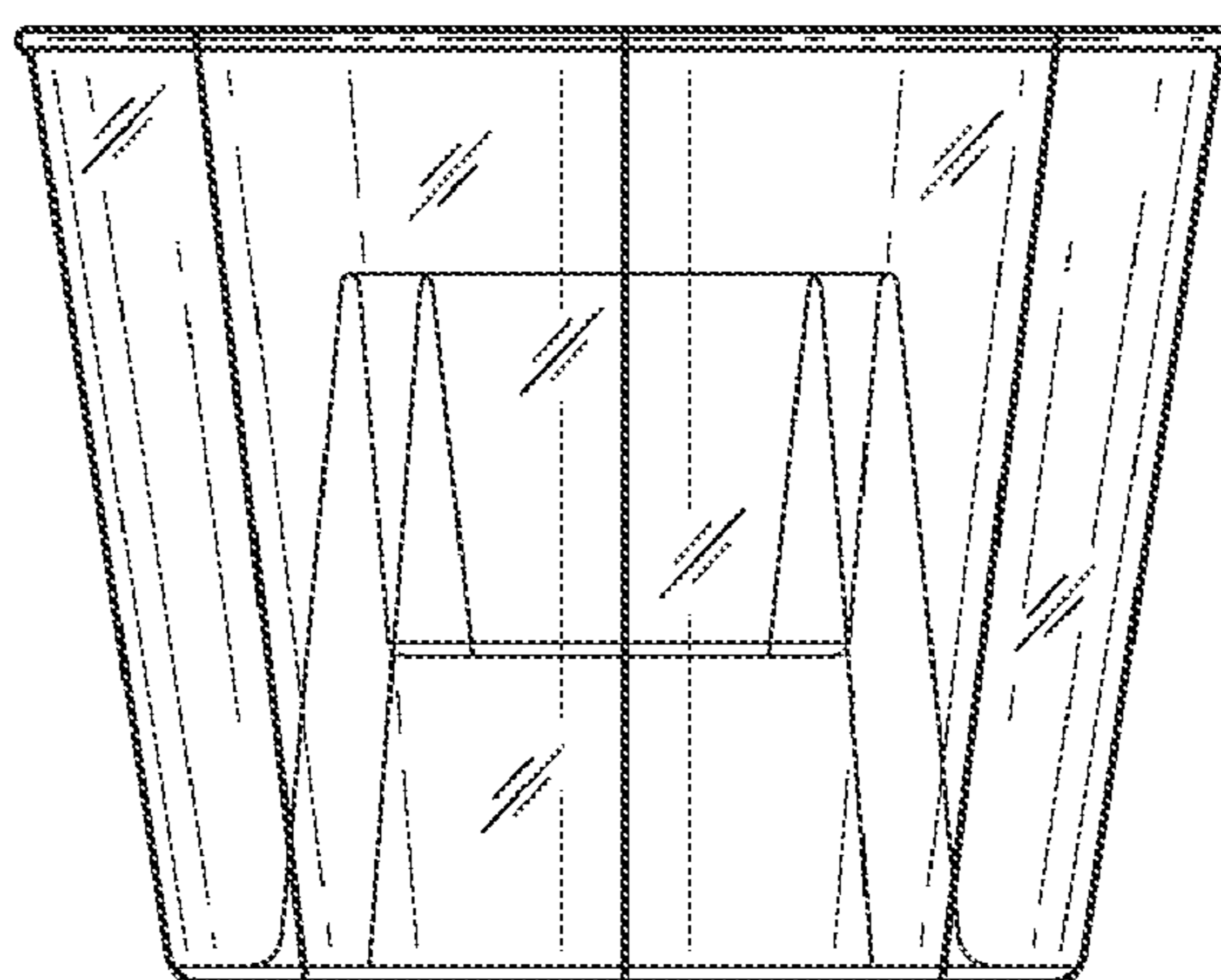


FIG. 3

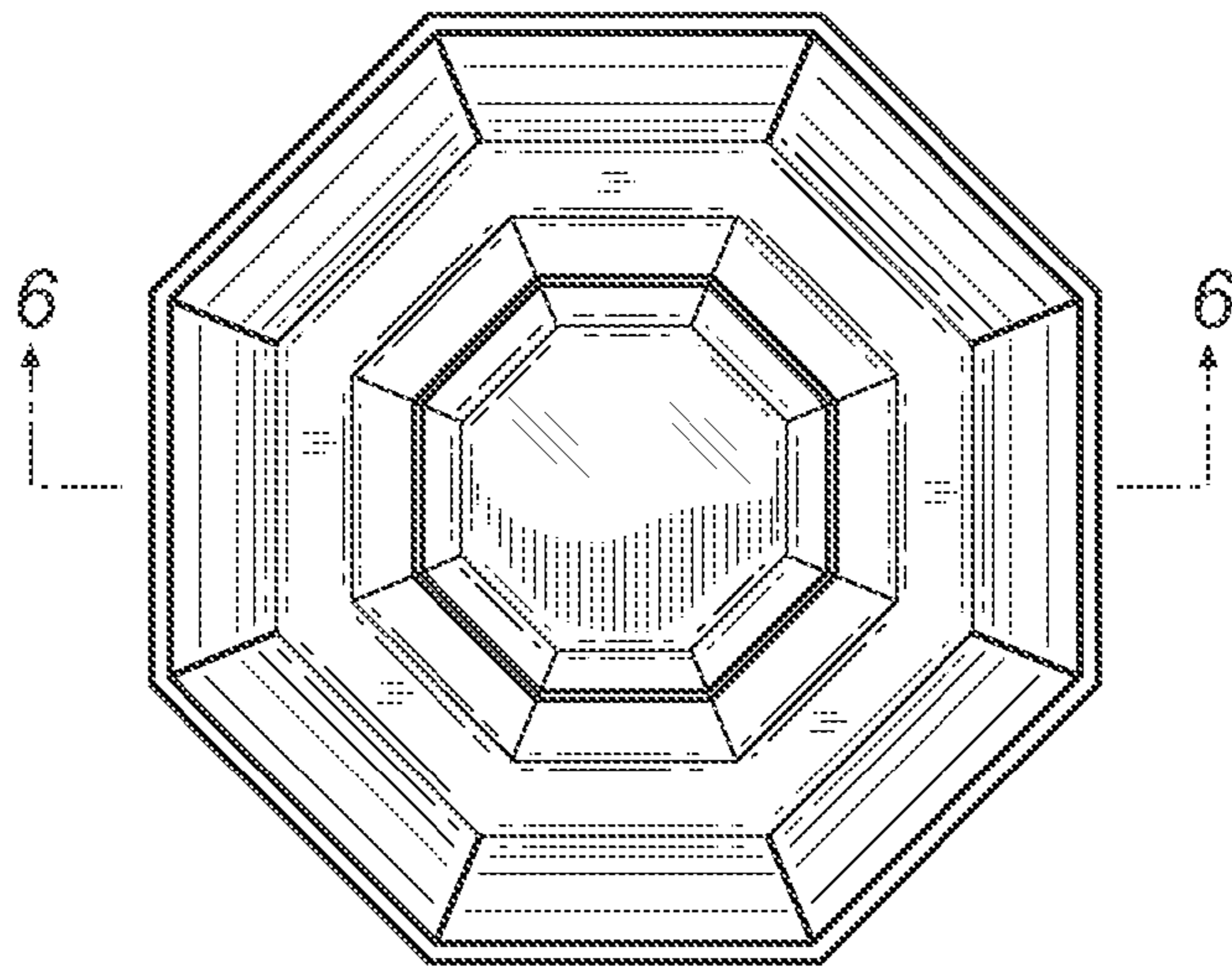


FIG. 4

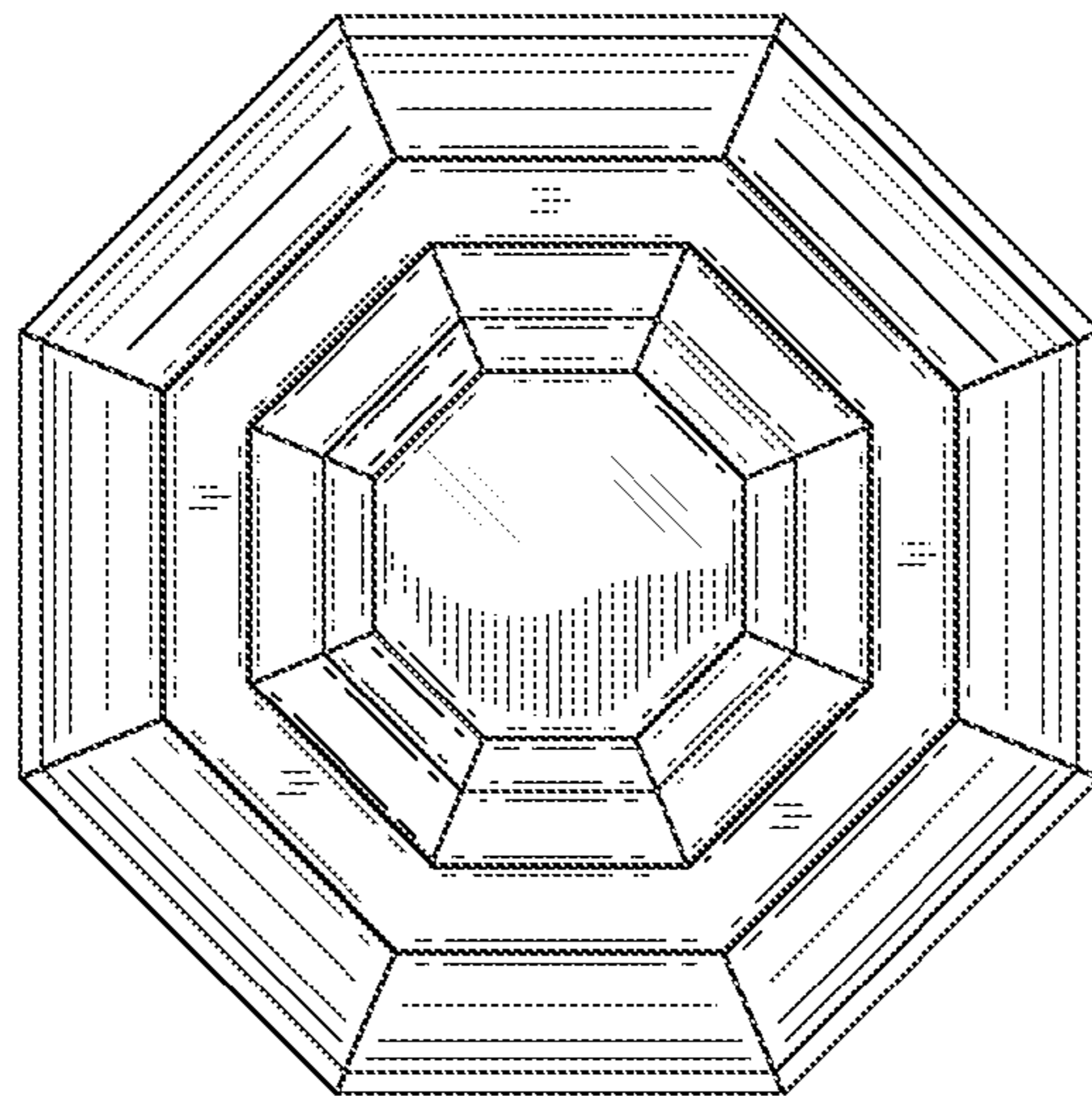


FIG. 5

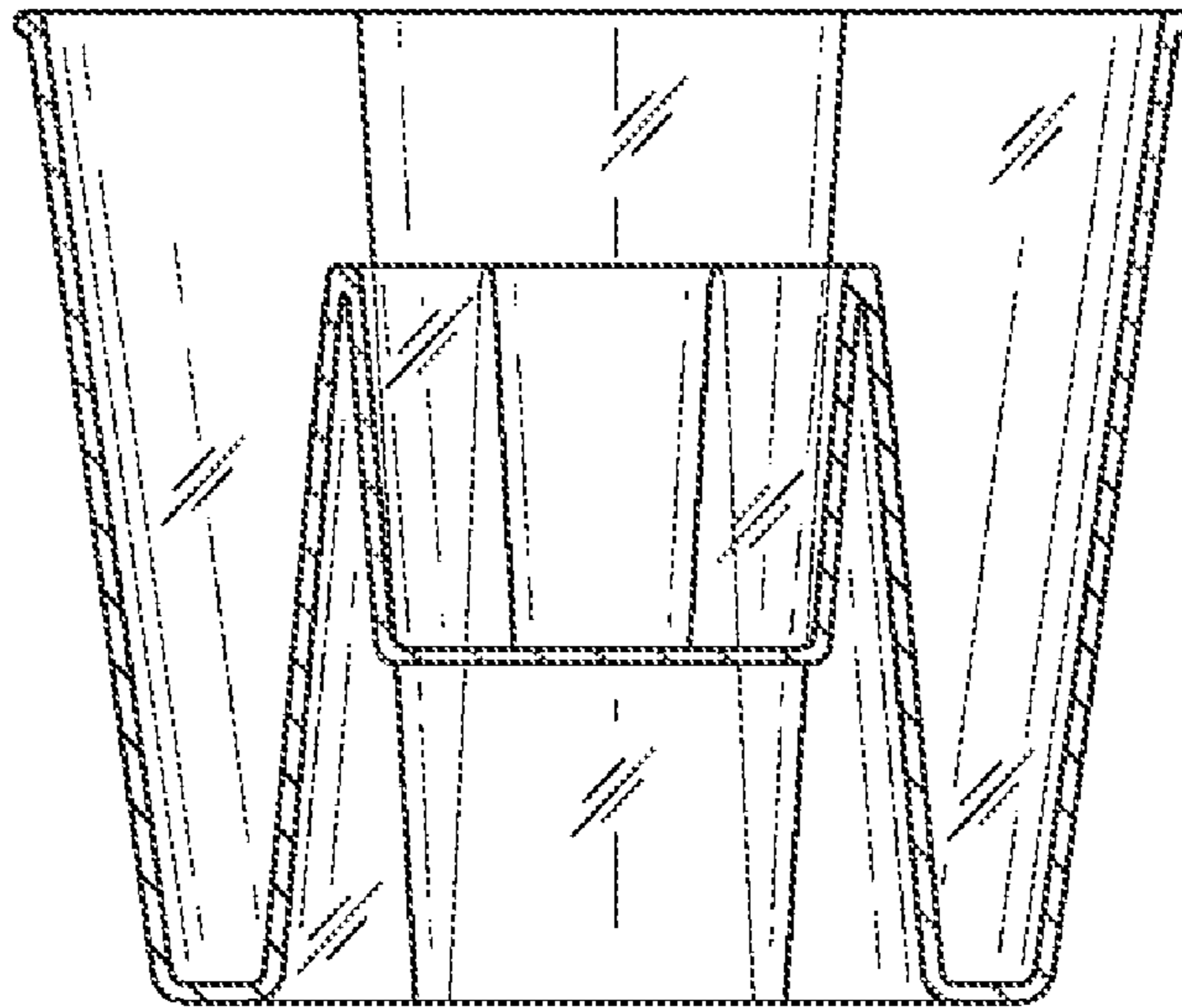


FIG. 6

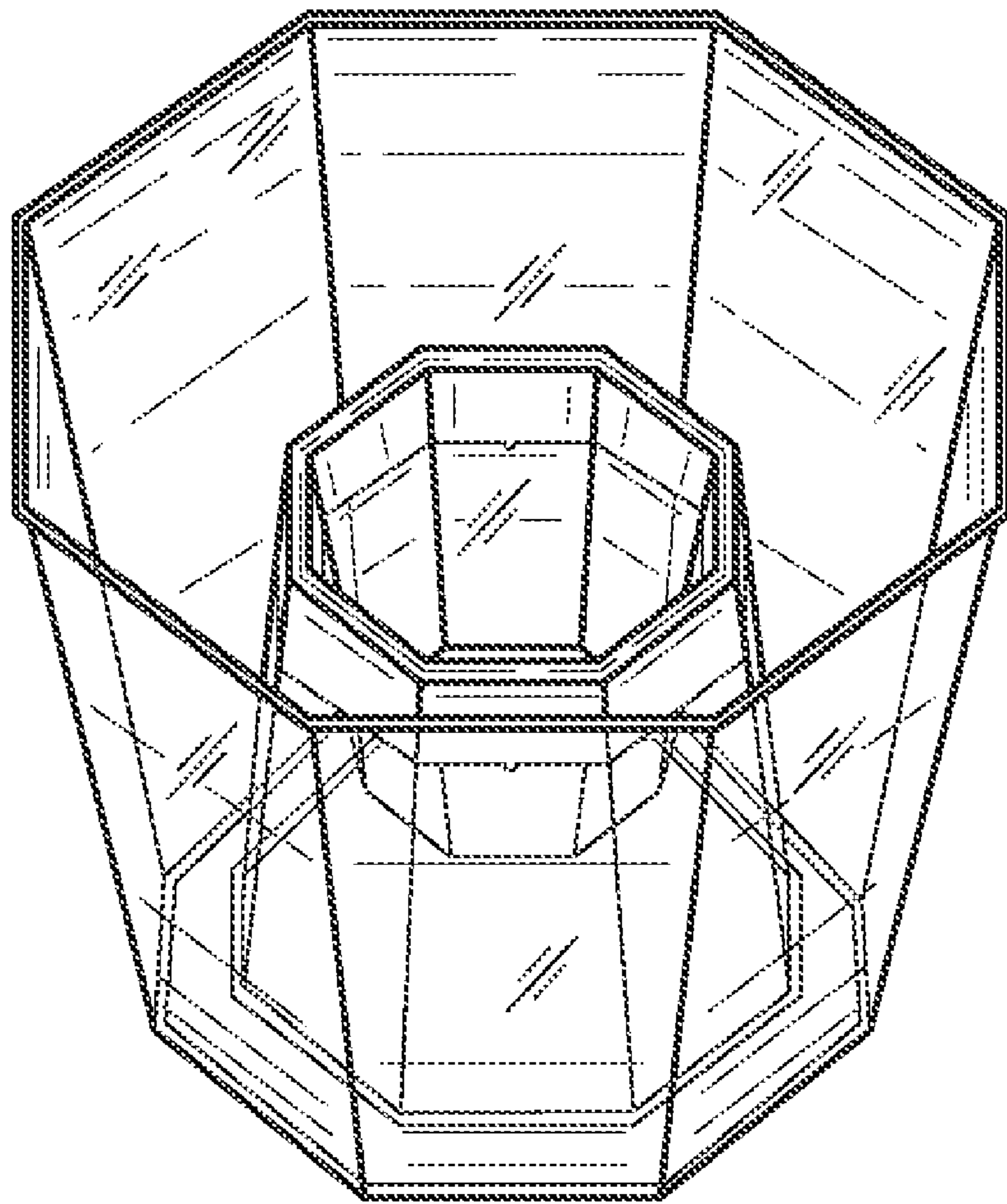


FIG. 7

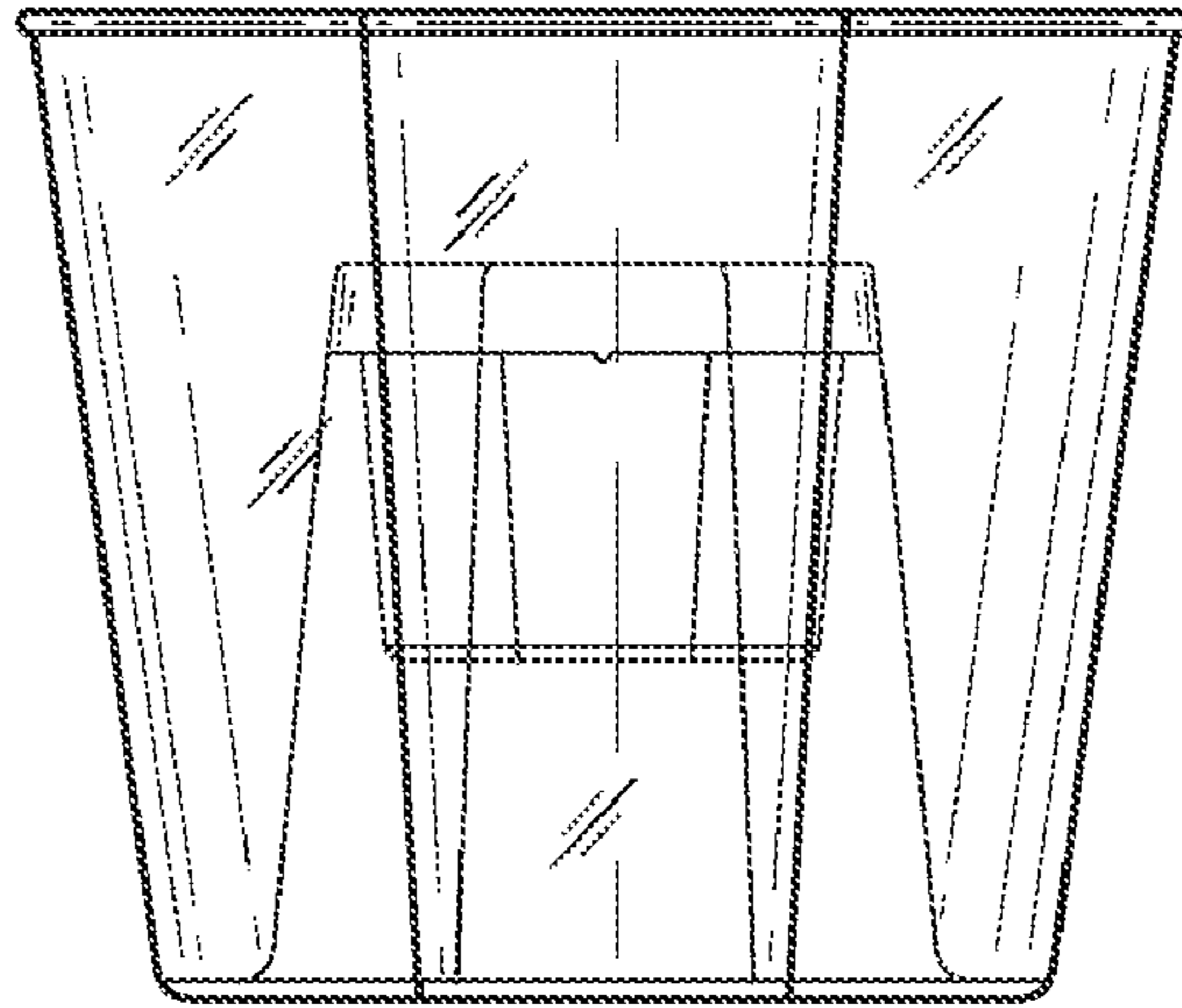


FIG. 8

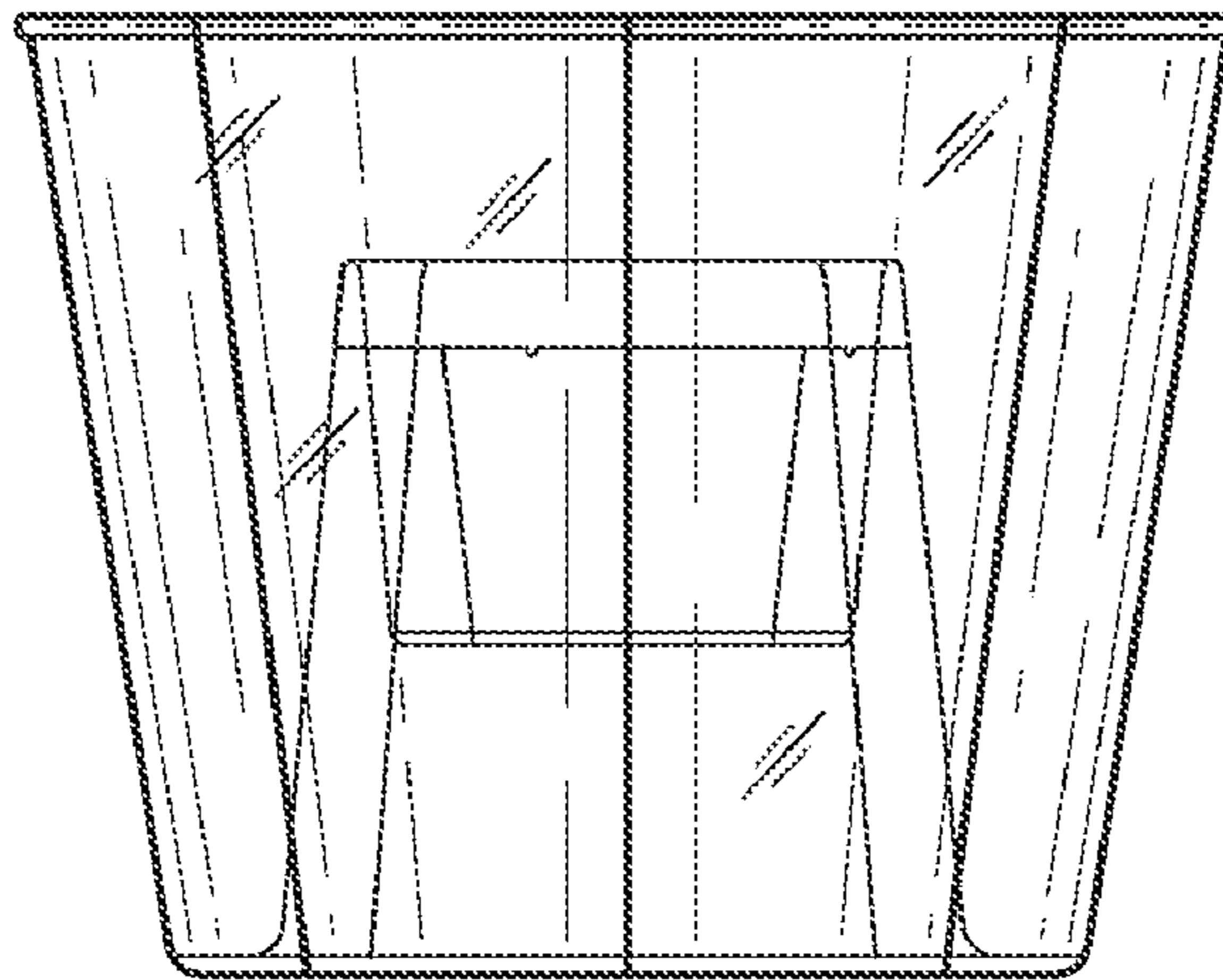


FIG. 9

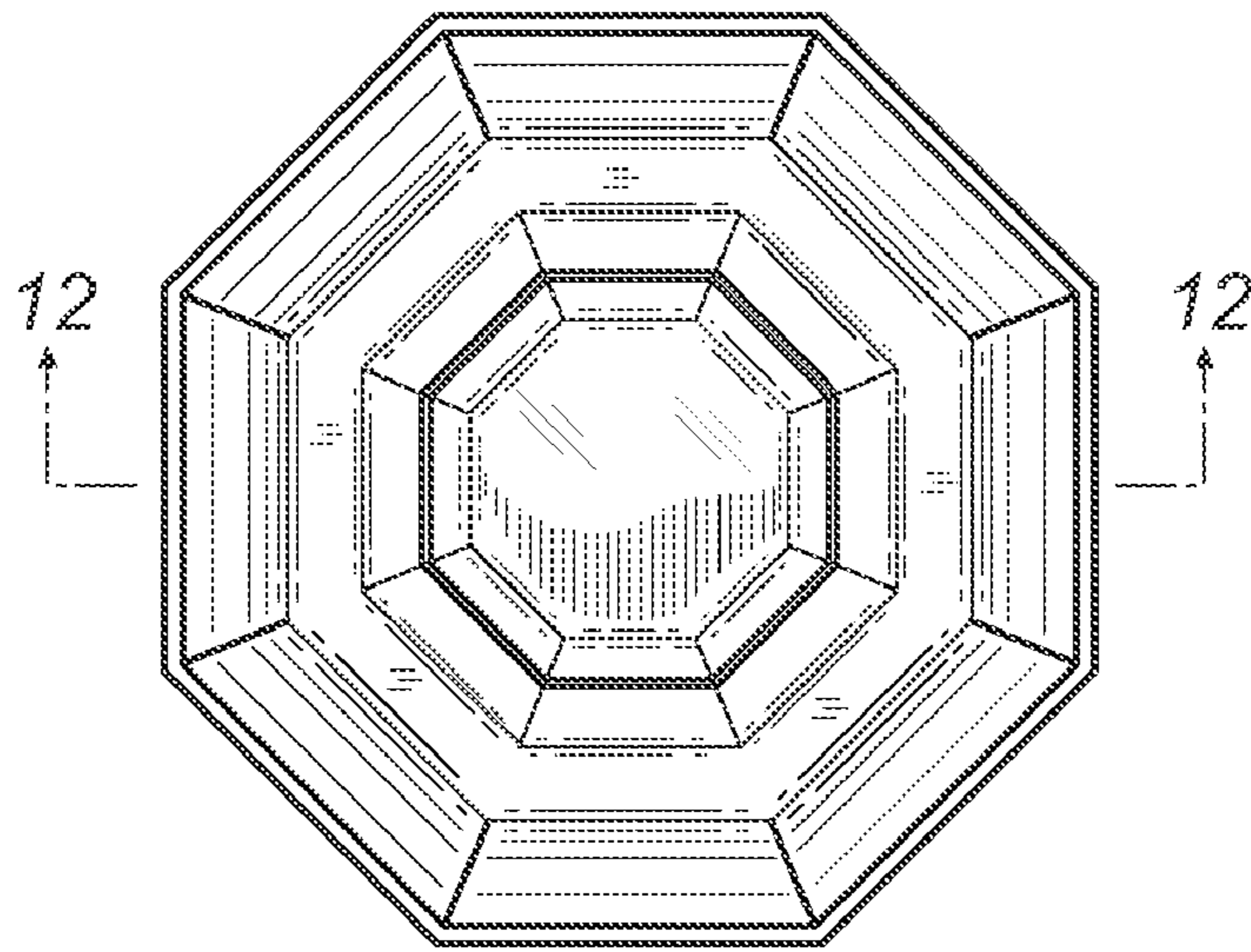


FIG. 10

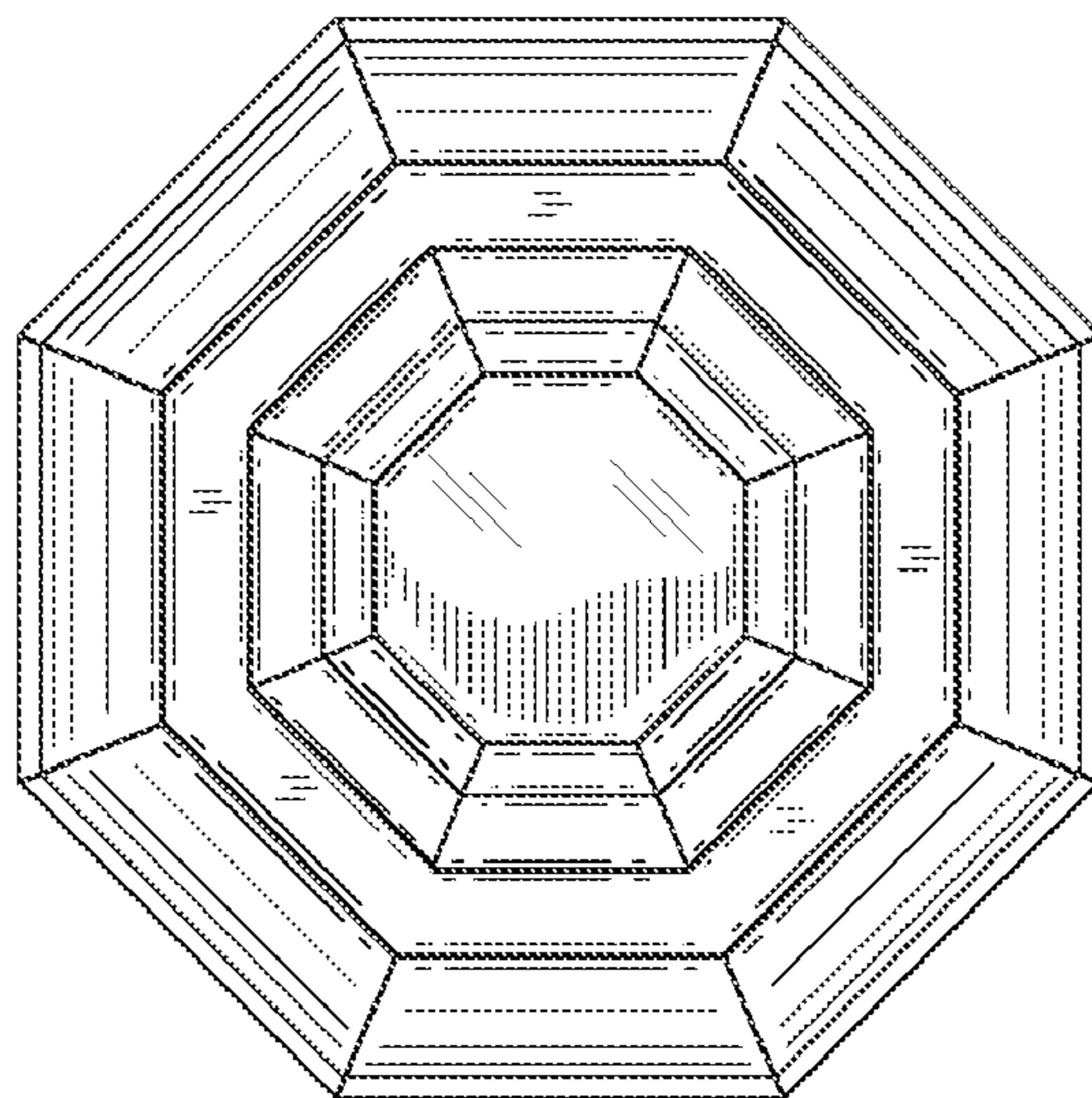


FIG. 11

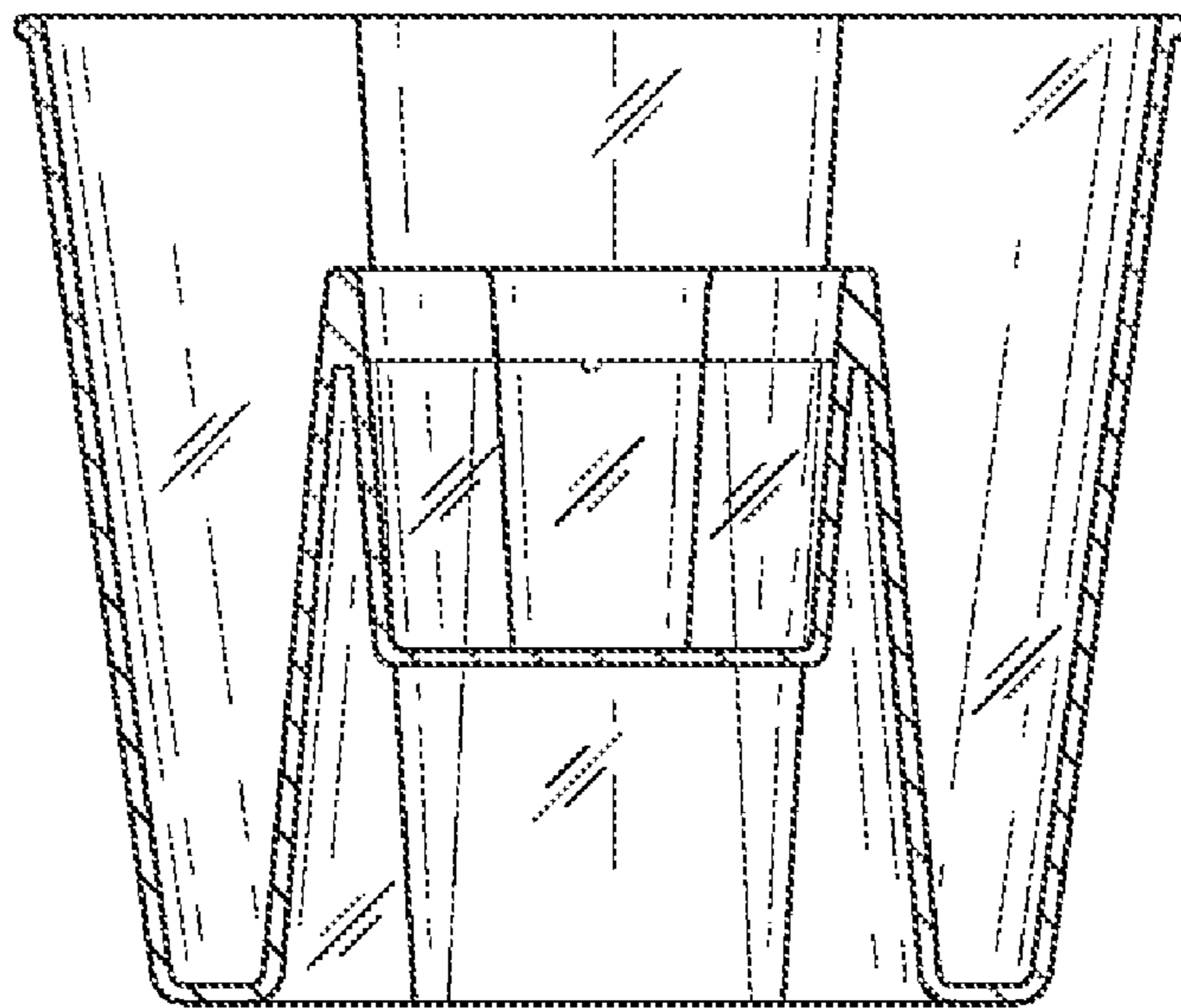


FIG. 12