



US00D556511S

(12) **United States Design Patent**
Mansfield

(10) **Patent No.:** **US D556,511 S**
(45) **Date of Patent:** **** Dec. 4, 2007**

(54) **DRINKING CUP**

(76) Inventor: **Bryan D. Mansfield**, c/o Hurricane Shooters LLC 2306 60th Dr. East, Bredenton, FL (US) 34203

(**) Term: **14 Years**

(21) Appl. No.: **29/250,854**

(22) Filed: **Dec. 1, 2006**

Related U.S. Application Data

(63) Continuation-in-part of application No. 29/244,075, filed on Dec. 5, 2005, now Pat. No. Des. 539,091, which is a continuation-in-part of application No. 11/255,572, filed on Oct. 21, 2005, application No. 29/250,854, which is a continuation-in-part of application No. 11/294,640, filed on Dec. 5, 2005.

(51) **LOC (8) Cl.** **07-01**

(52) **U.S. Cl.** **D7/523; D7/509**

(58) **Field of Classification Search** D7/396.2, D7/500, 509, 510, 523, 524, 526–528, 530–532, D7/540, 565, 584, 900; D9/500, 502, 516, D9/519, 549, 555, 776, 778; D34/1; 215/10, 215/387, DIG. 7; 220/495.04, 560, 592.16, 220/592.17, 703; 226/406; 229/400; 383/110
See application file for complete search history.

(56) **References Cited**

U.S. PATENT DOCUMENTS

- 1,009,406 A * 11/1911 Graham 220/592.17
- 1,168,027 A * 1/1916 Nirdlinger 73/426
- D99,531 S * 5/1936 Sterling D7/513
- D222,375 S * 10/1971 Bencik D7/523
- 3,781,164 A * 12/1973 McCaffery 431/291
- 4,410,085 A * 10/1983 Beneziat et al. 206/217

(Continued)

Primary Examiner—Philip S. Hyder

Assistant Examiner—Cynthia Underwood

(74) *Attorney, Agent, or Firm*—Mark Douma

(57) **CLAIM**

I claim the ornamental design for a drinking cup, as shown and described.

DESCRIPTION

FIG. 1 is a perspective view of a drinking cup showing my new design;

FIG. 2 is a side elevation view thereof, with the broad side oriented toward the viewer, the opposite side being identical;

FIG. 3 is a side elevation view thereof, with the narrow side oriented toward the viewer, the opposite side being identical;

FIG. 4 is a top plan view thereof;

FIG. 5 is a bottom plan view thereof;

FIG. 6 is a sectional view thereof taken along line 6—6 in FIG. 3;

FIG. 7 is a perspective view of another embodiment of my design as shown in FIG. 1 with an added translucent portion below the inner rim connecting the side walls with one or more insubstantial dimples on the bottom thereof;

FIG. 8 is a side elevation view thereof, with the broad side oriented toward the viewer, all other side views being identical;

FIG. 9 is a side elevation view thereof, with the narrow side oriented toward the viewer, the opposite side being identical;

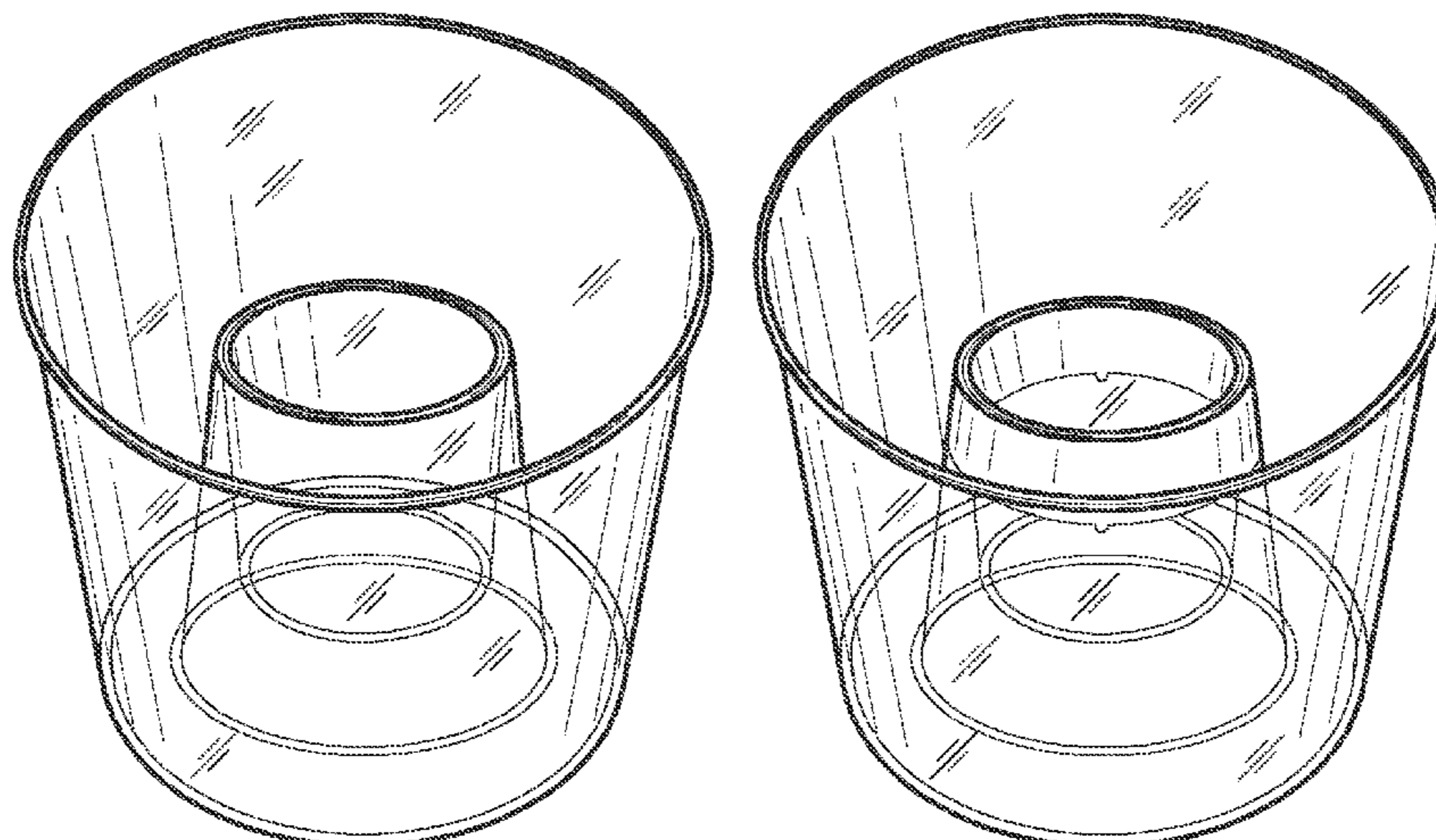
FIG. 10 is a top plan view thereof;

FIG. 11 is a bottom plan view thereof; and,

FIG. 12 is a sectional view thereof taken along line 12—12 in FIG. 10.

The design is characterized by having three more or less upright walls with an ovoid inner chamber suspended by walls over a hollow bottom. Visibility of the interior walls may be reduced in subdued lighting depending on the amount of colorant used, but would be visible under bright overhead lighting.

1 Claim, 8 Drawing Sheets



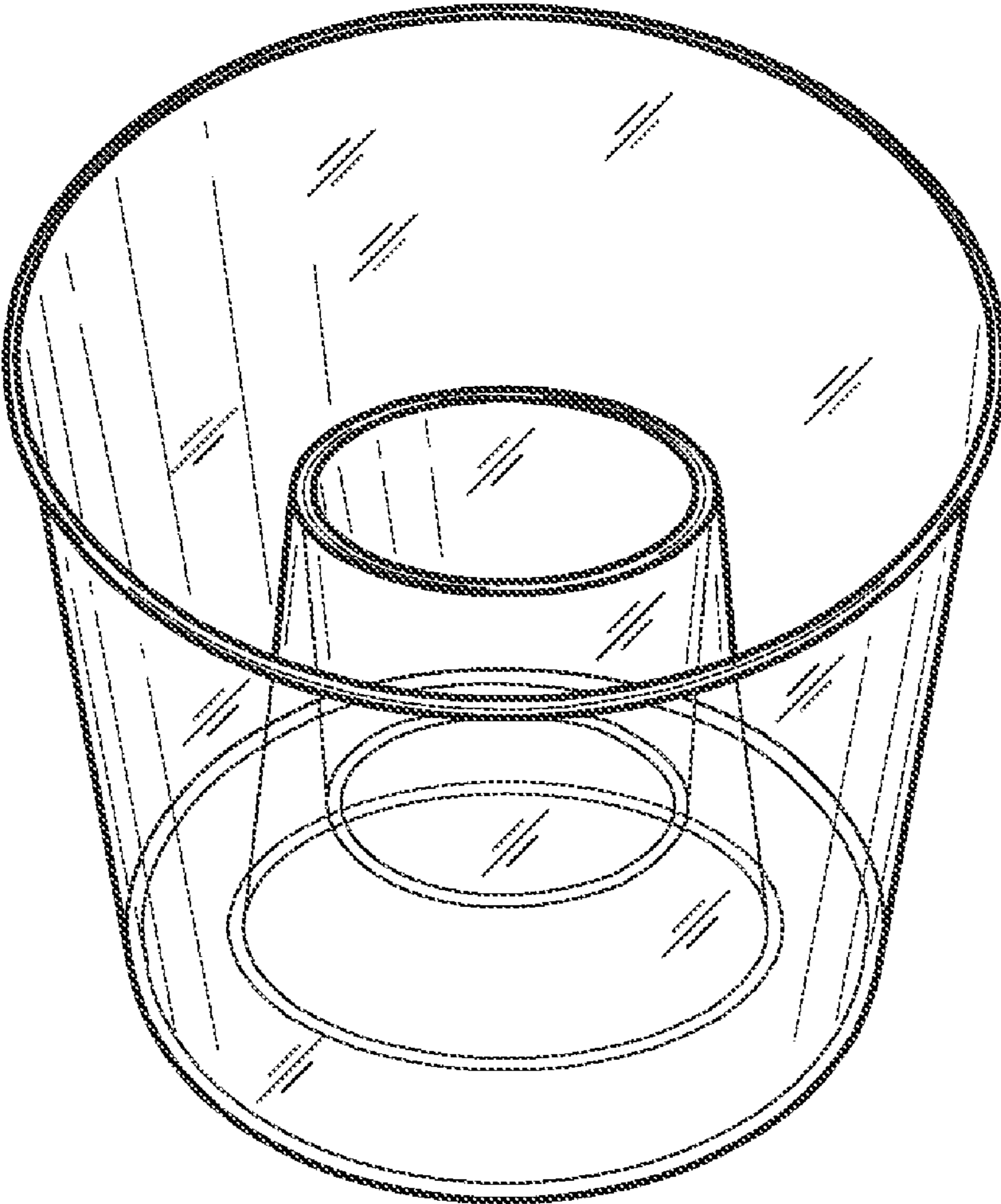


FIG. 1

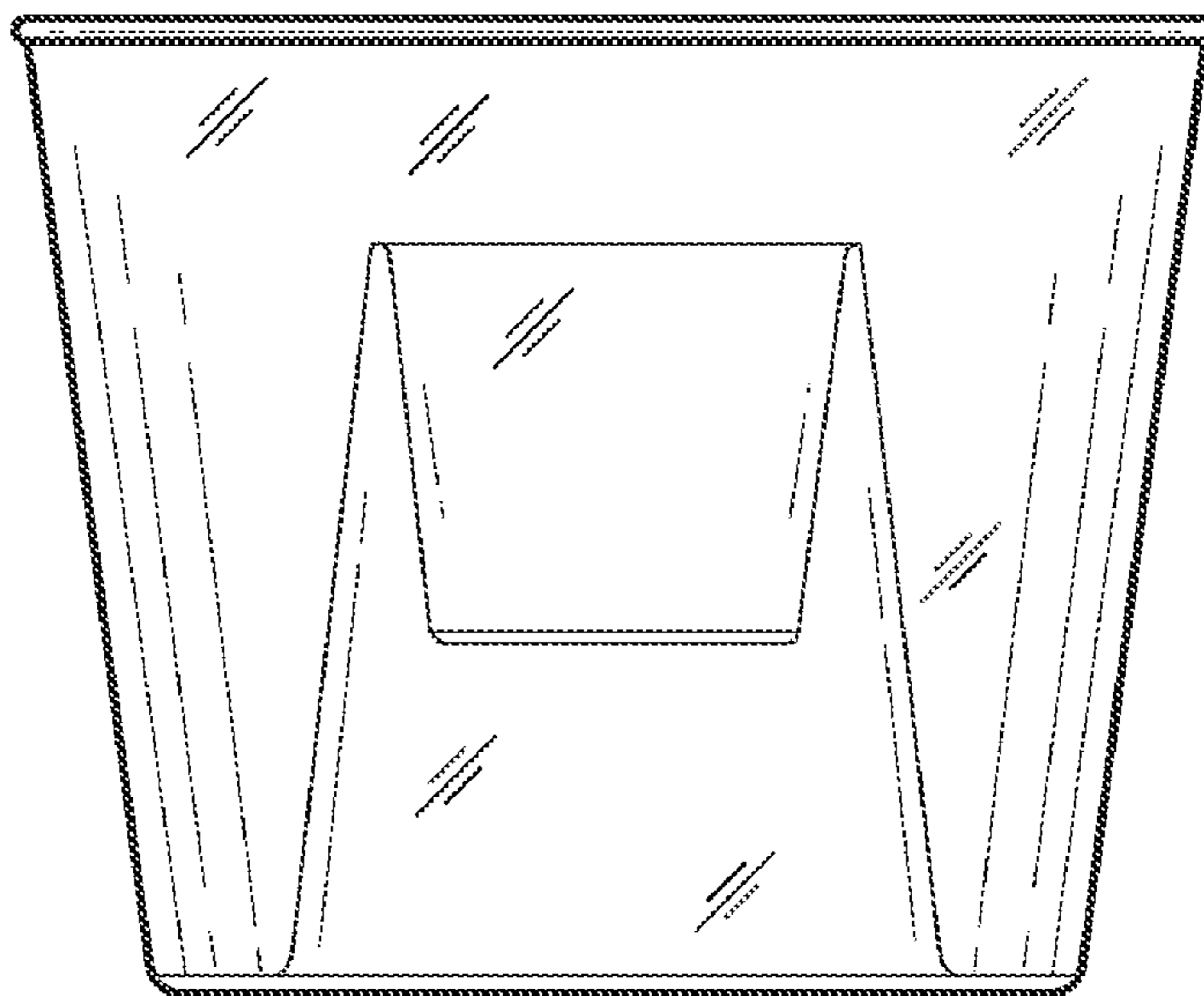


FIG. 2

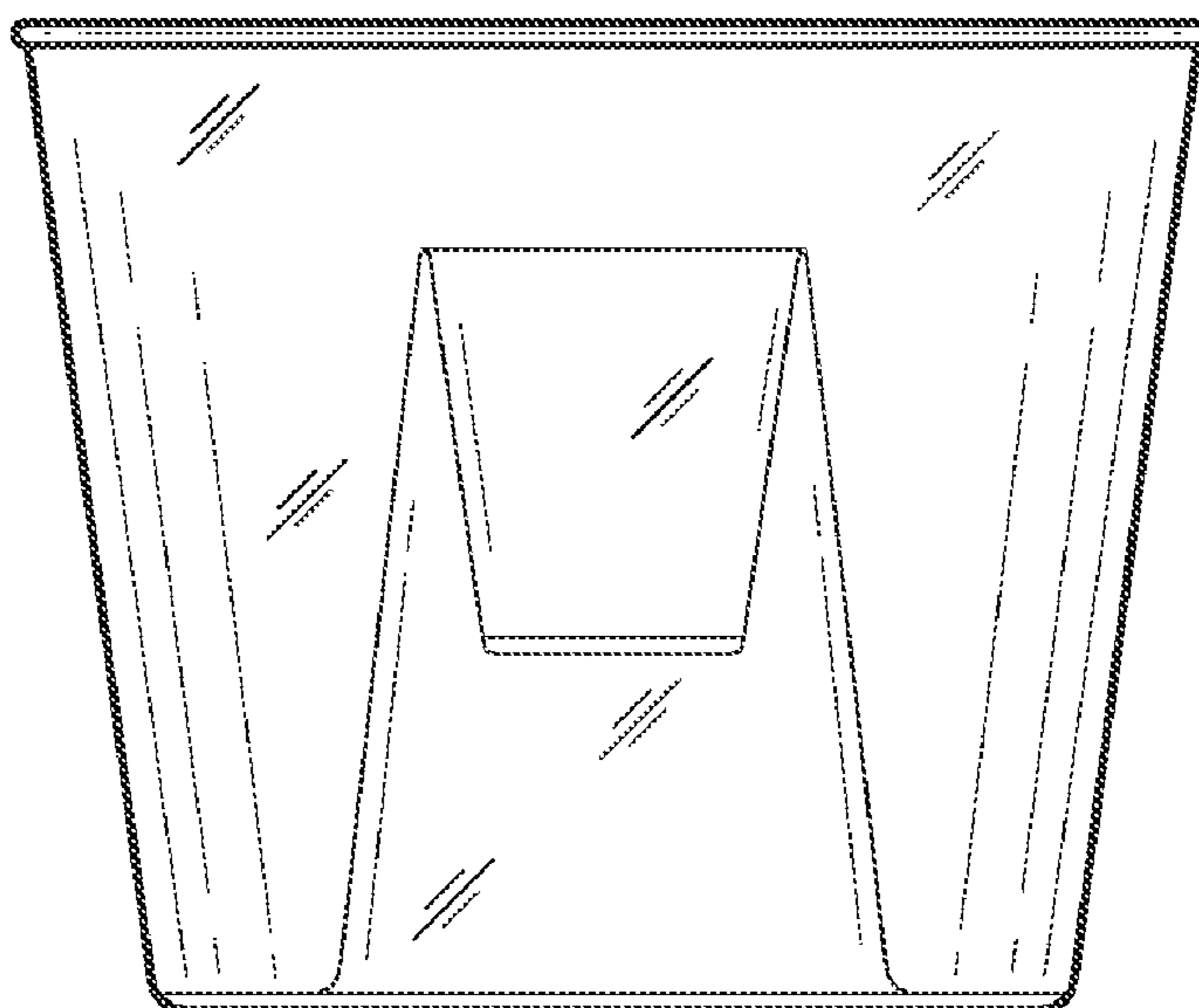


FIG. 3

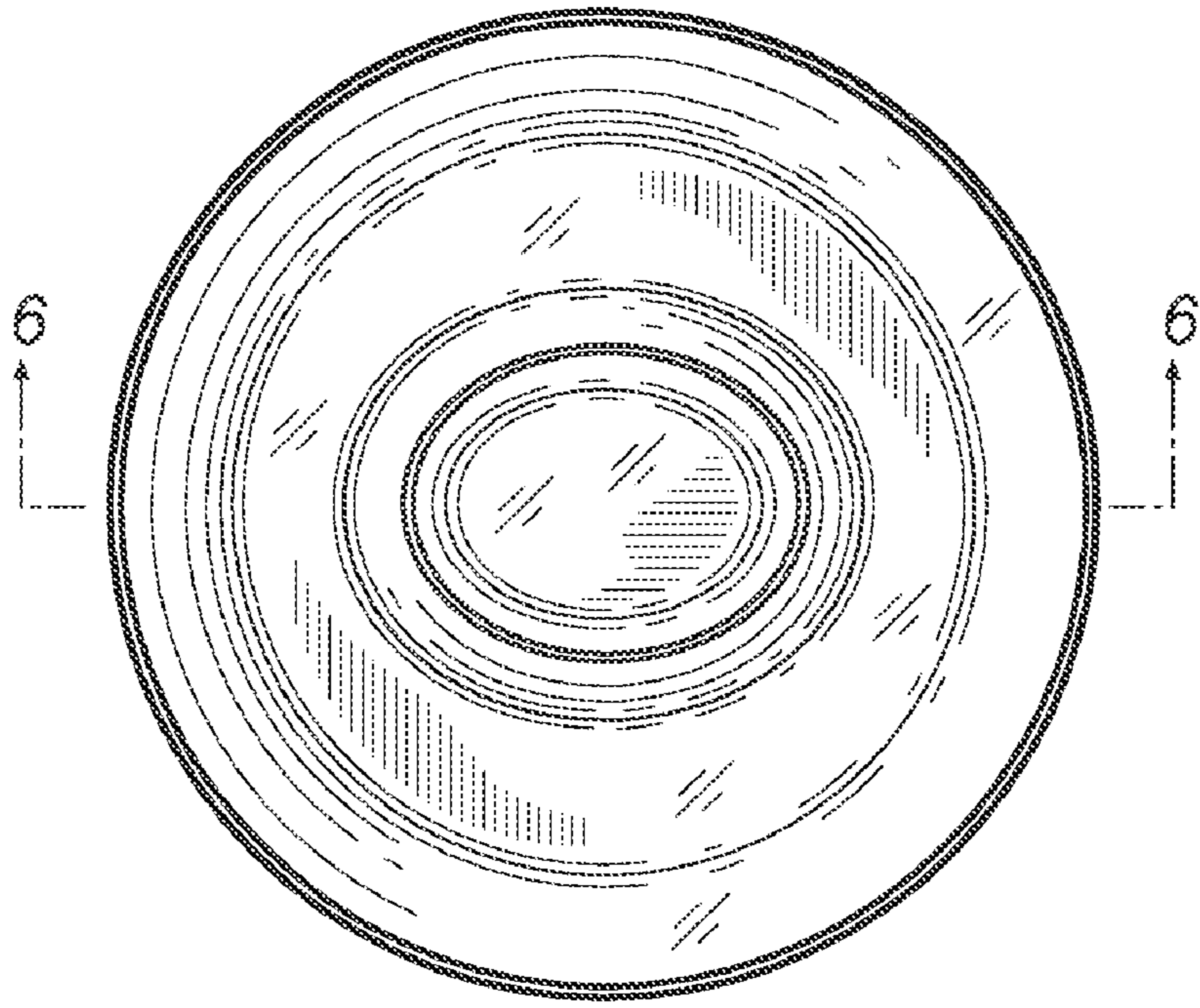


FIG. 4

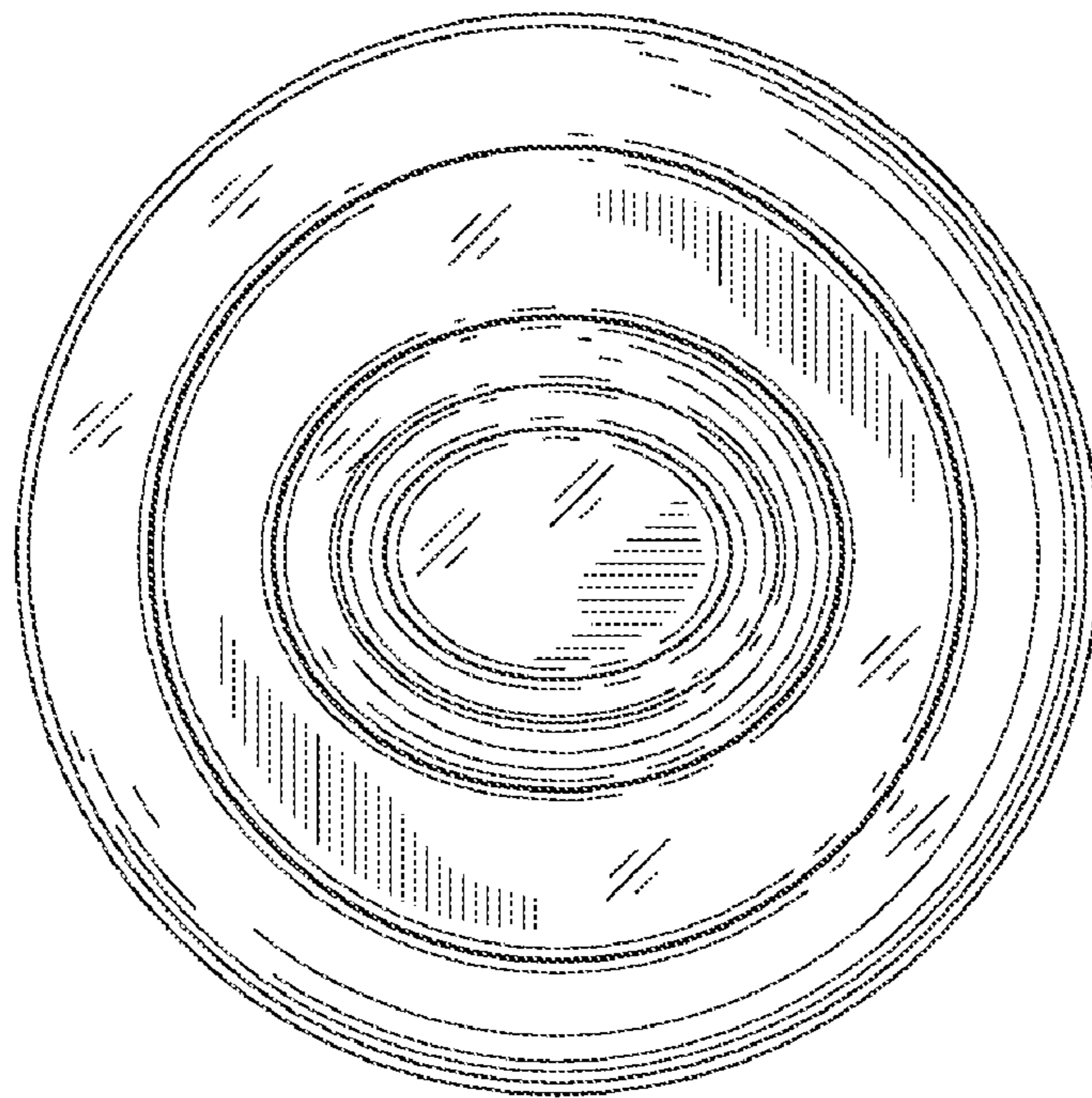


FIG. 5

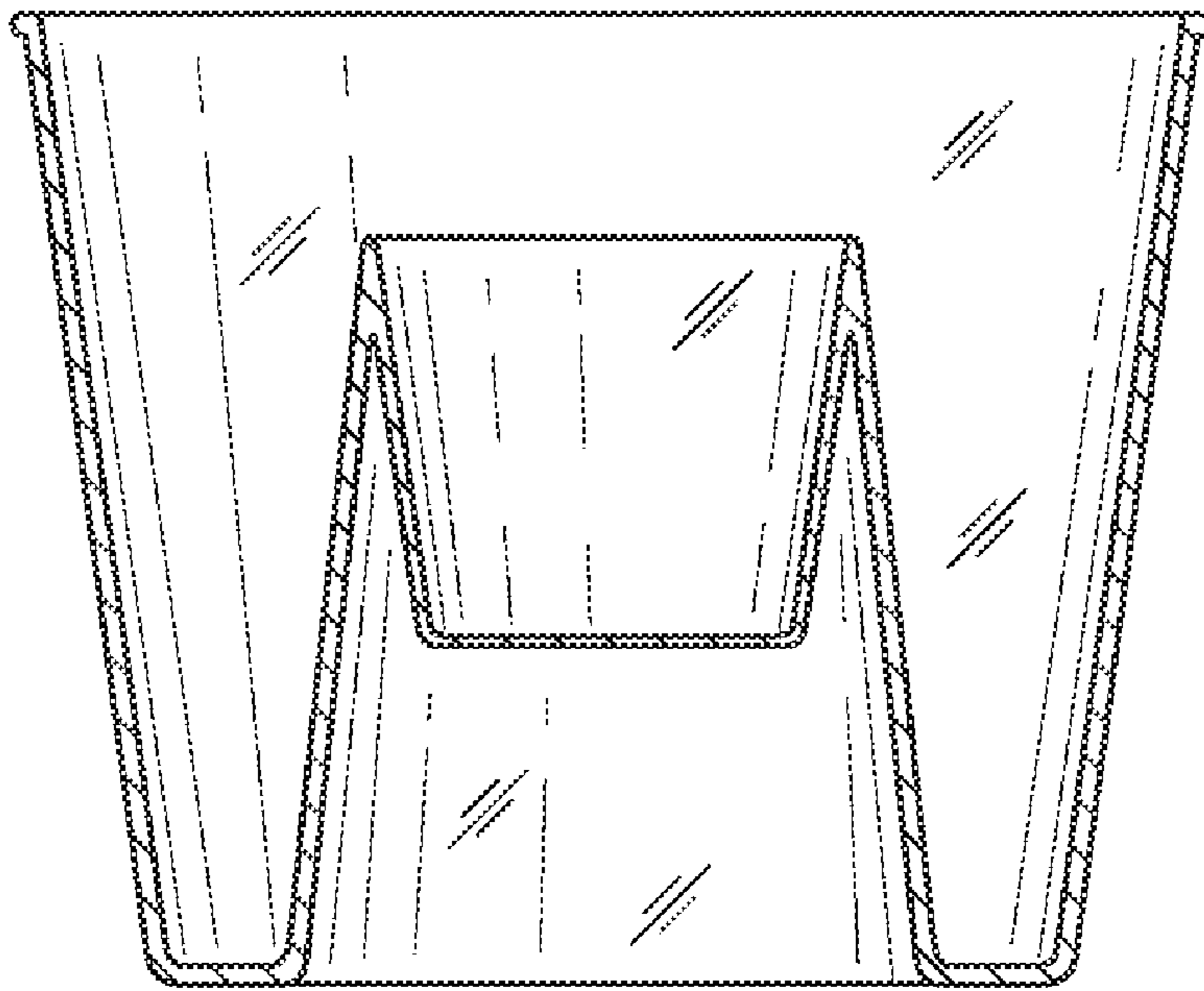


FIG. 6

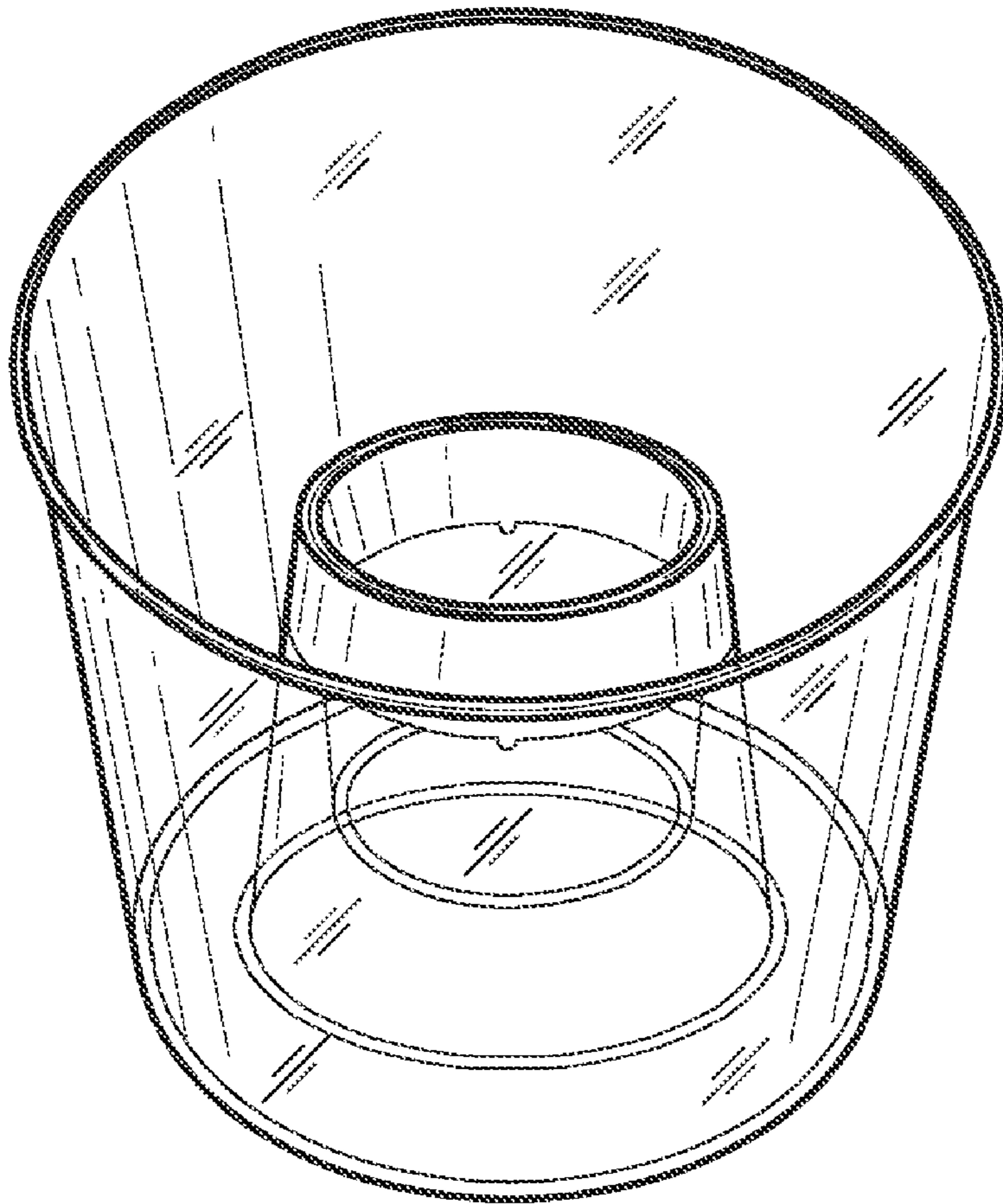


FIG. 7

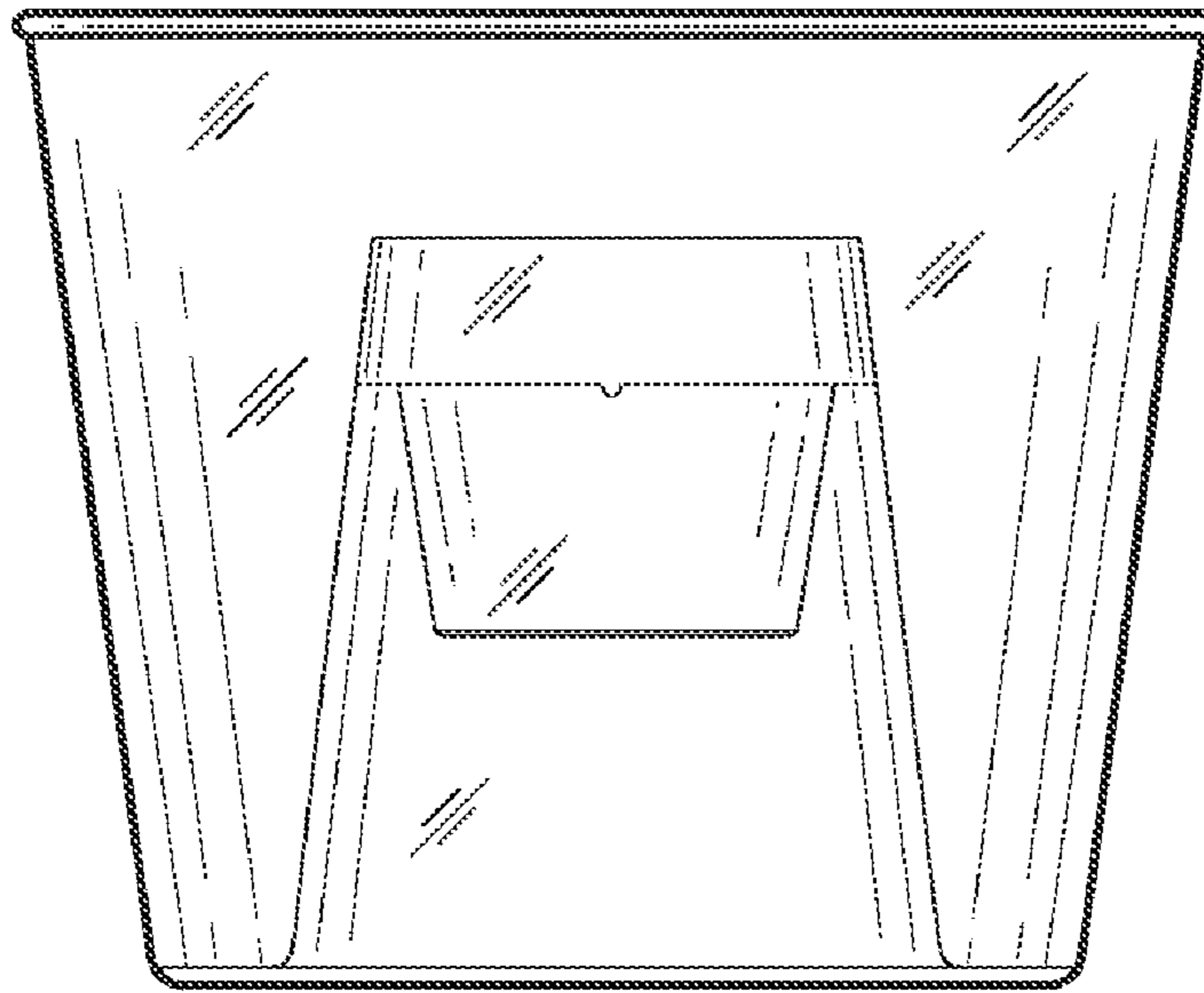


FIG. 8

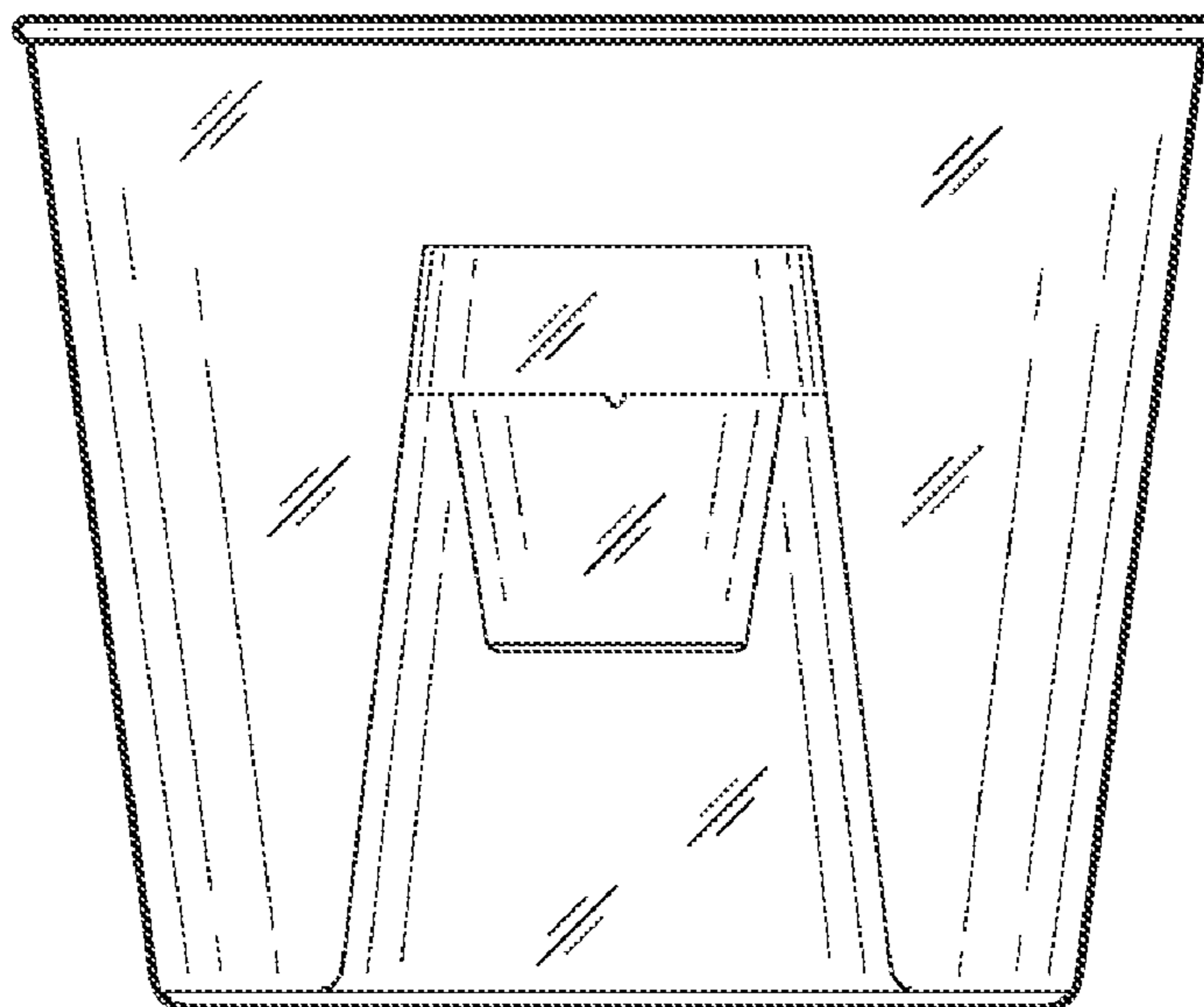


FIG. 9

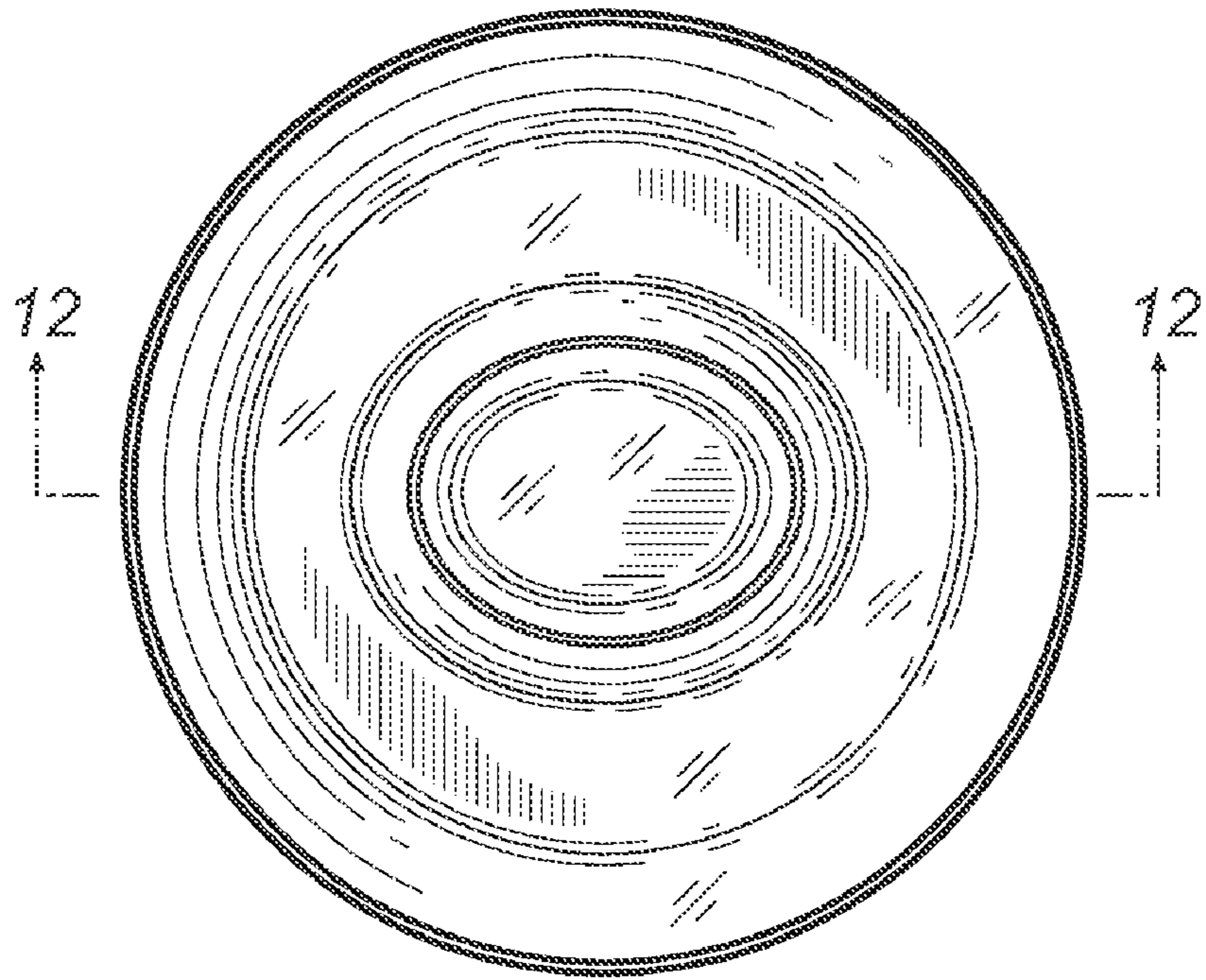


FIG. 10

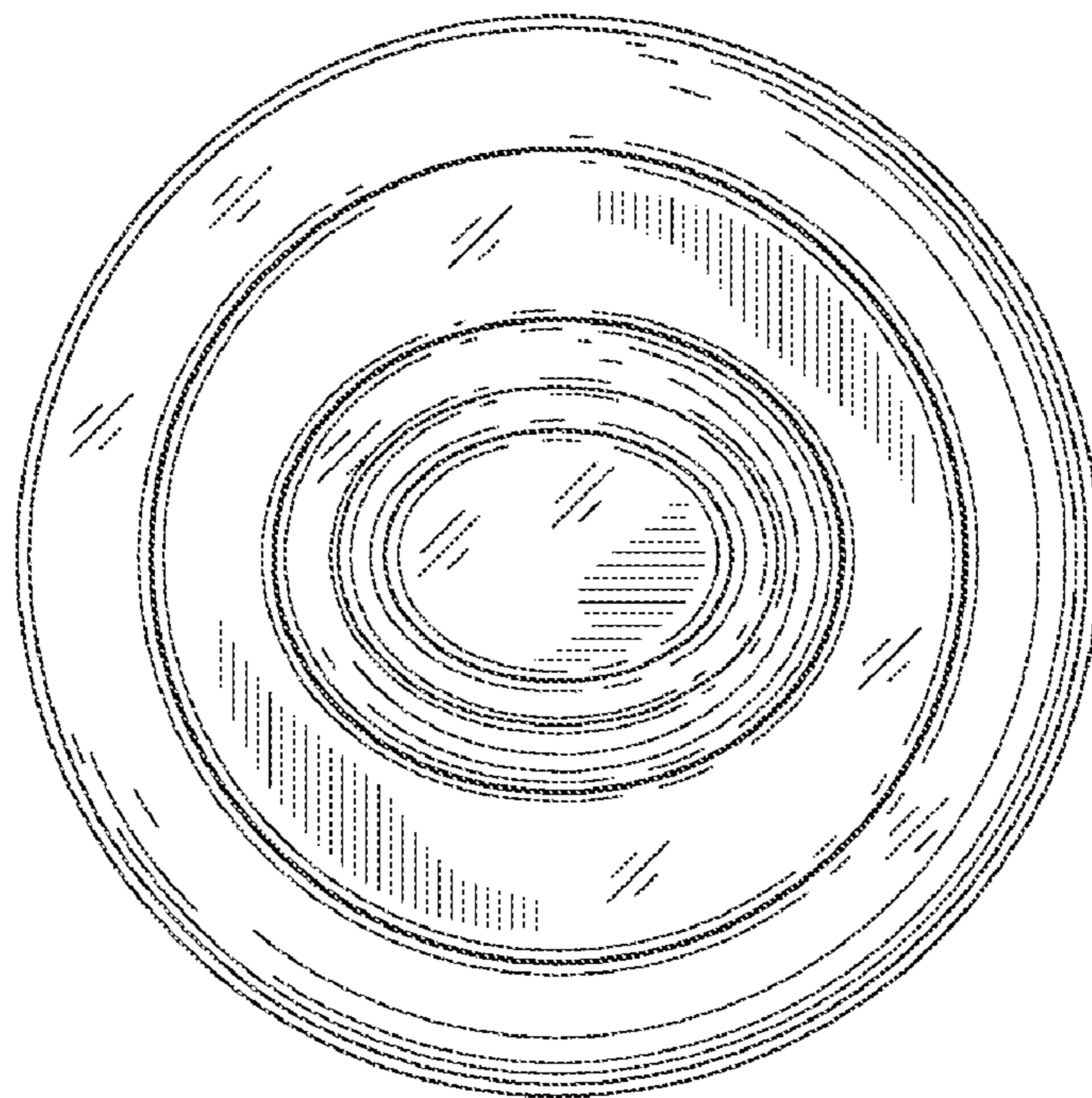


FIG. 11

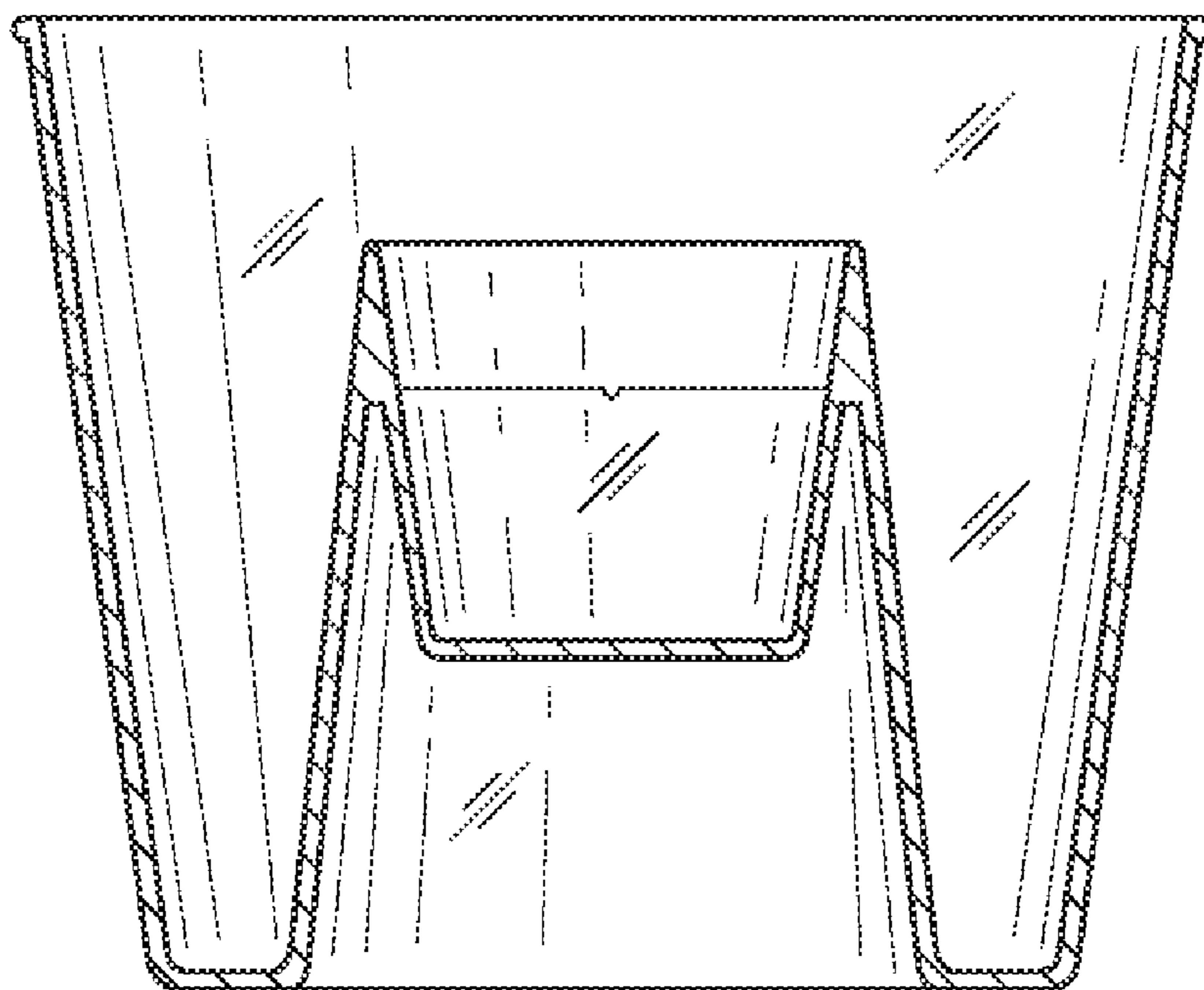


FIG. 12