



US00D556510S

(12) **United States Design Patent**  
**Meuser**

(10) **Patent No.:** **US D556,510 S**

(45) **Date of Patent:** **\*\* Dec. 4, 2007**

(54) **FOOD SERVING TRAY**

(76) Inventor: **Elizabeth F. Meuser**, 5603 Spellman Rd., Houston, TX (US) 77096

(\*\*) Term: **14 Years**

(21) Appl. No.: **29/252,956**

(22) Filed: **Jan. 31, 2006**

(51) **LOC (8) Cl.** ..... **07-01**

(52) **U.S. Cl.** ..... **D7/513; D7/536; D7/552.1**

(58) **Field of Classification Search** ..... **D7/552.1, D7/503, 505, 536, 513, 507, 534, 605, 555; 294/152; 222/209; 220/23.8; 206/543; 215/6, 12.1, 13.1**

See application file for complete search history.

(56) **References Cited**

**U.S. PATENT DOCUMENTS**

1,496,989	A *	6/1924	Kideney	.....	220/23.8
D155,753	S *	10/1949	Warner	.....	D7/555
2,963,188	A *	12/1960	Palermo	.....	215/12.2
3,104,788	A *	9/1963	Wood	.....	294/152
D218,350	S *	8/1970	Marks	.....	D7/513
D261,465	S *	10/1981	Minchew	.....	D7/555
D292,157	S *	10/1987	Robinson	.....	D7/505
D316,653	S *	5/1991	Spencer	.....	D7/605
D339,033	S *	9/1993	Bishop	.....	D7/605
D383,943	S *	9/1997	Boley	.....	D7/555
D400,402	S *	11/1998	Petkovich, Jr.	.....	D7/549
D439,802	S *	4/2001	Colmore	.....	D7/513

D459,157	S *	6/2002	Manning	.....	D7/608
D472,426	S *	4/2003	Premji	.....	D7/513
D482,239	S *	11/2003	Bodum	.....	D7/536
D488,028	S *	4/2004	Janky et al.	.....	D7/536
D507,153	S *	7/2005	Trombly	.....	D7/536
D522,312	S *	6/2006	Bodum	.....	D7/536

\* cited by examiner

*Primary Examiner*—M. N. Pandozzi

(74) *Attorney, Agent, or Firm*—David Walker, Esq.

(57) **CLAIM**

The ornamental design for a food serving tray, as shown and described.

**DESCRIPTION**

FIG. 1 is a front view of a food serving tray employing the design in accordance with the invention;

FIG. 2 is a top view of the food serving tray of FIG. 1;

FIG. 3 is a right-side view of the food serving tray of FIG. 1;

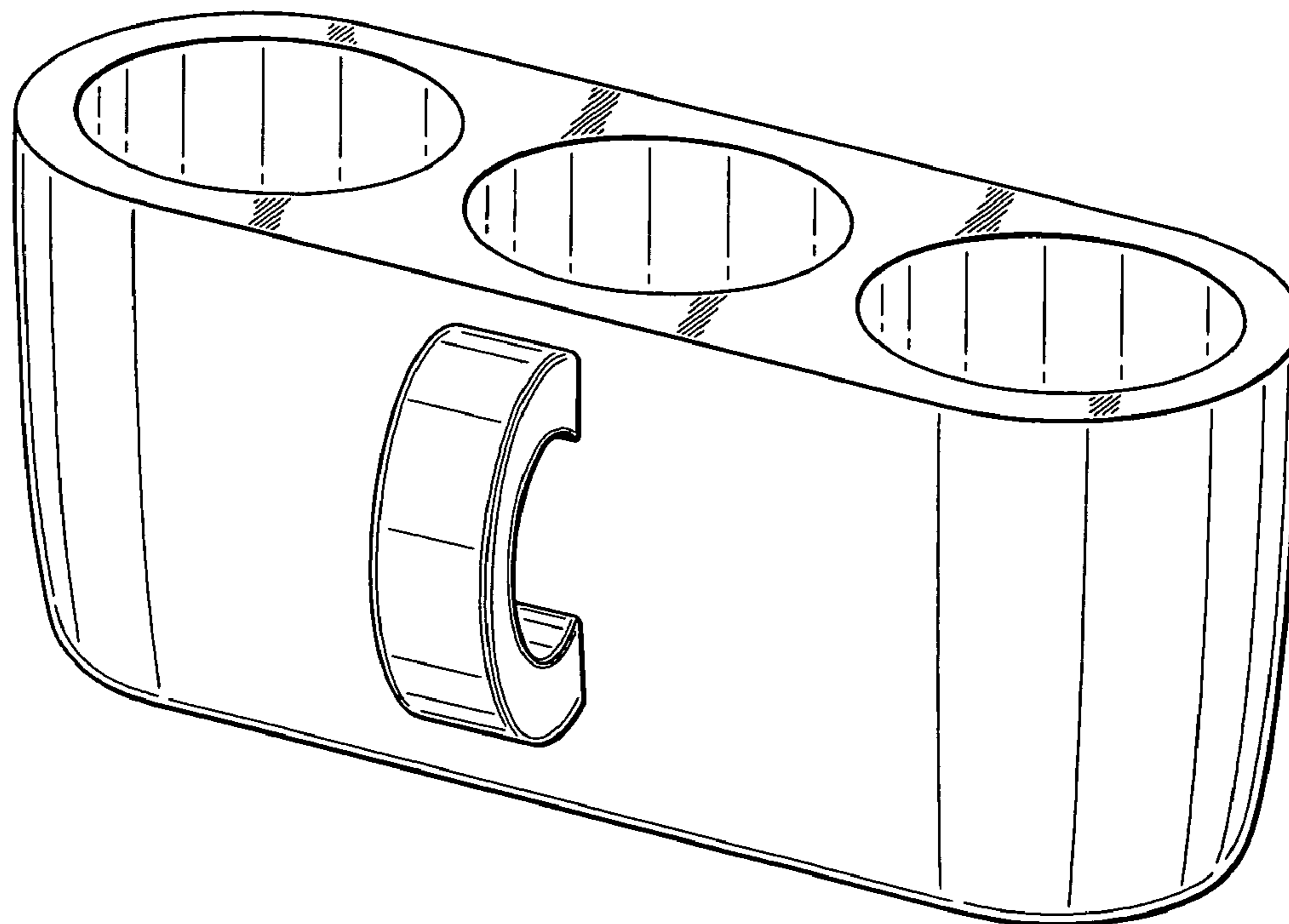
FIG. 4 is a left-side view of the food serving tray of FIG. 1;

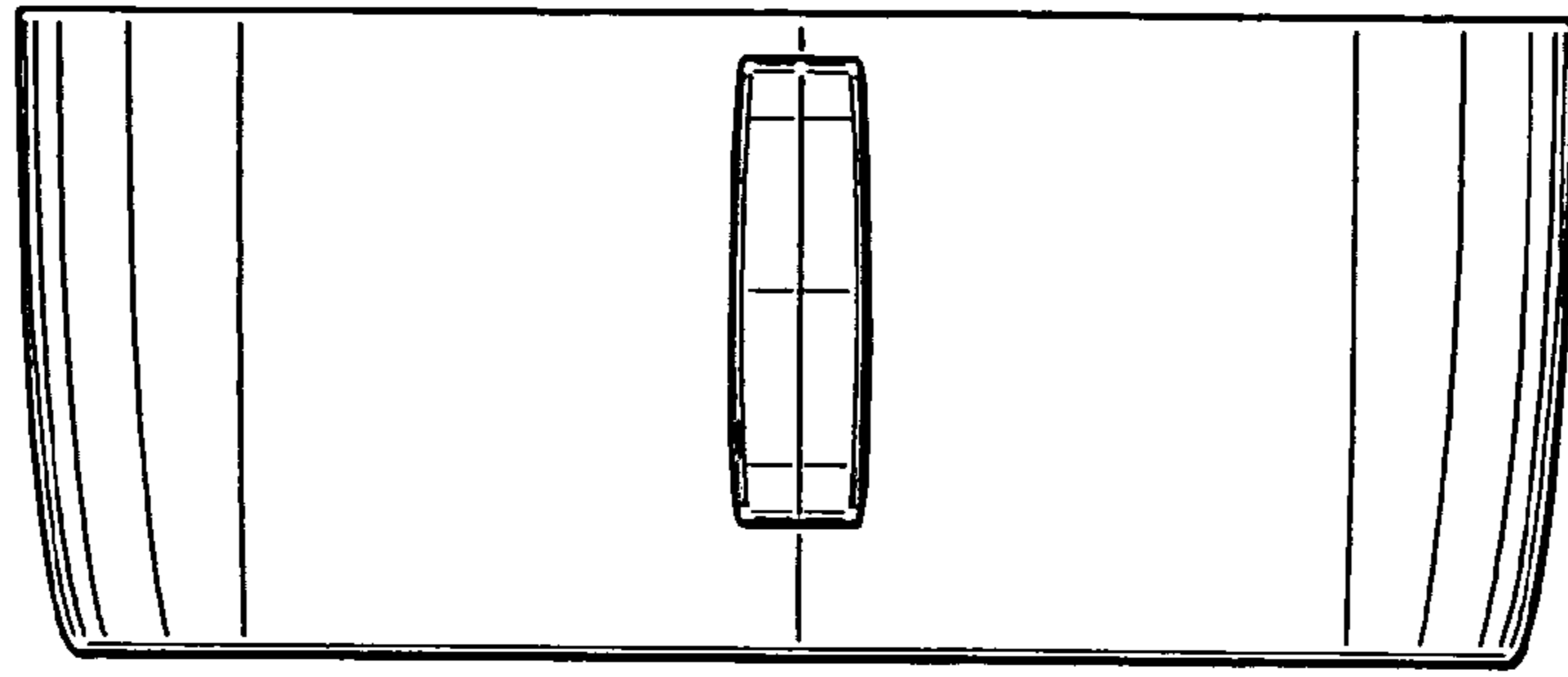
FIG. 5 is a back side view of the food serving tray of FIG. 1;

FIG. 6 is a bottom view of the food serving tray of FIG. 1; and,

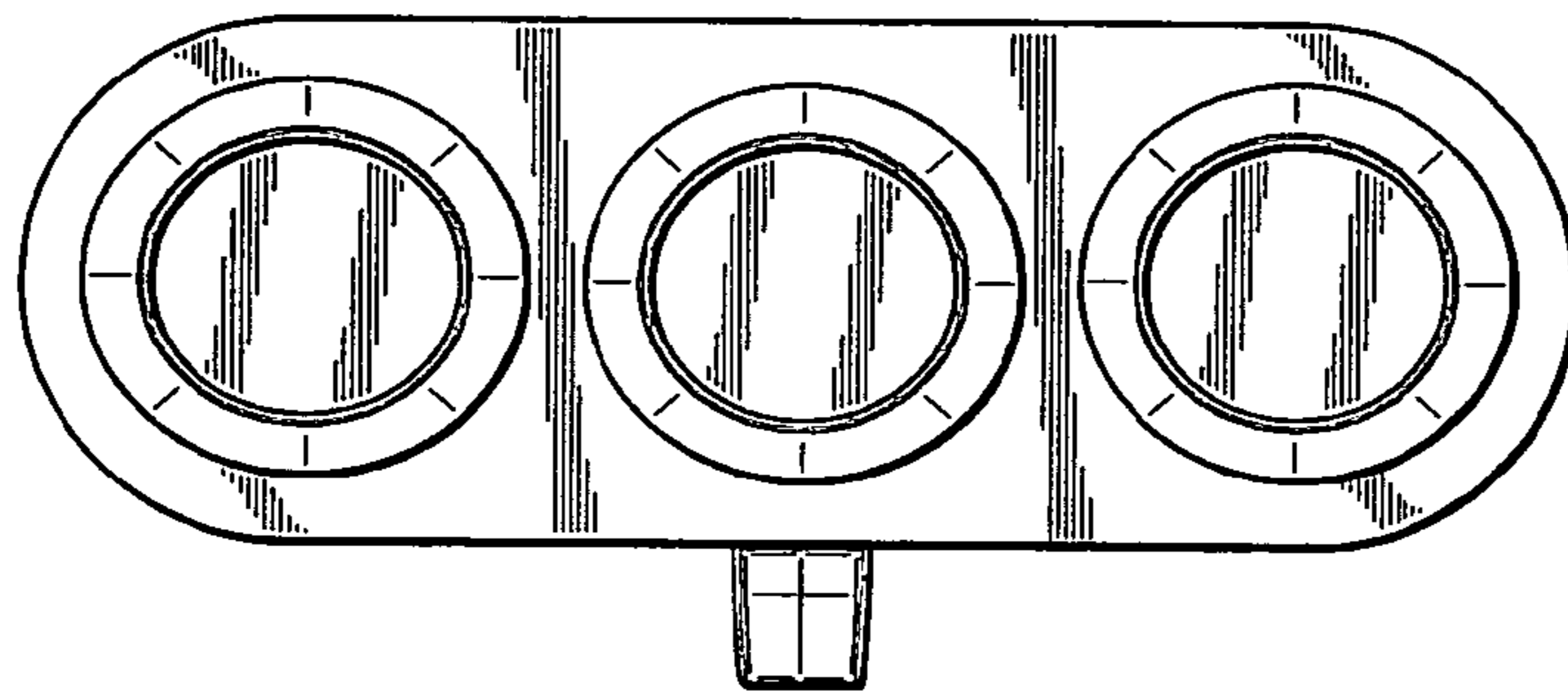
FIG. 7 is a perspective view of the food serving tray of FIG. 1.

**1 Claim, 2 Drawing Sheets**

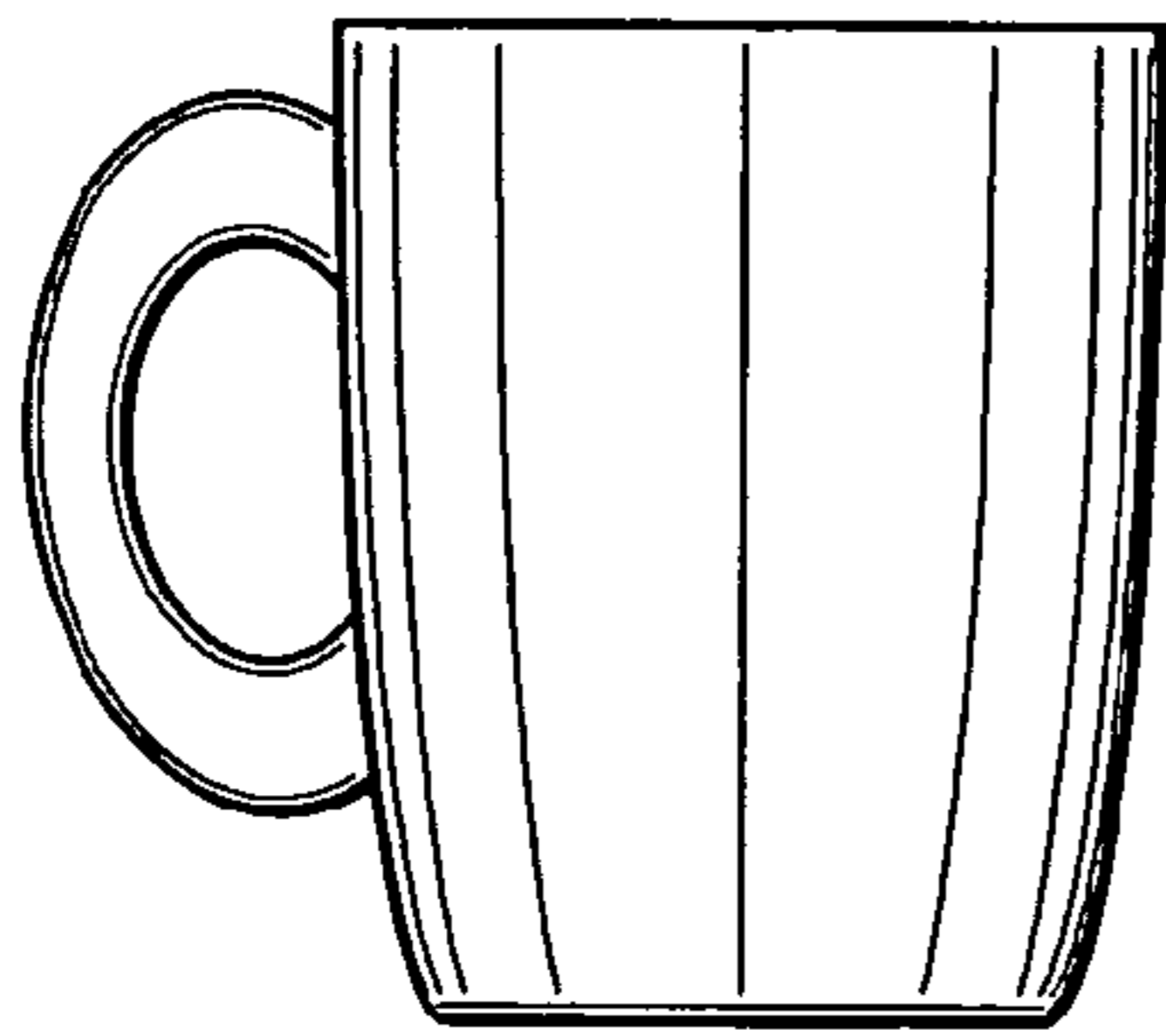




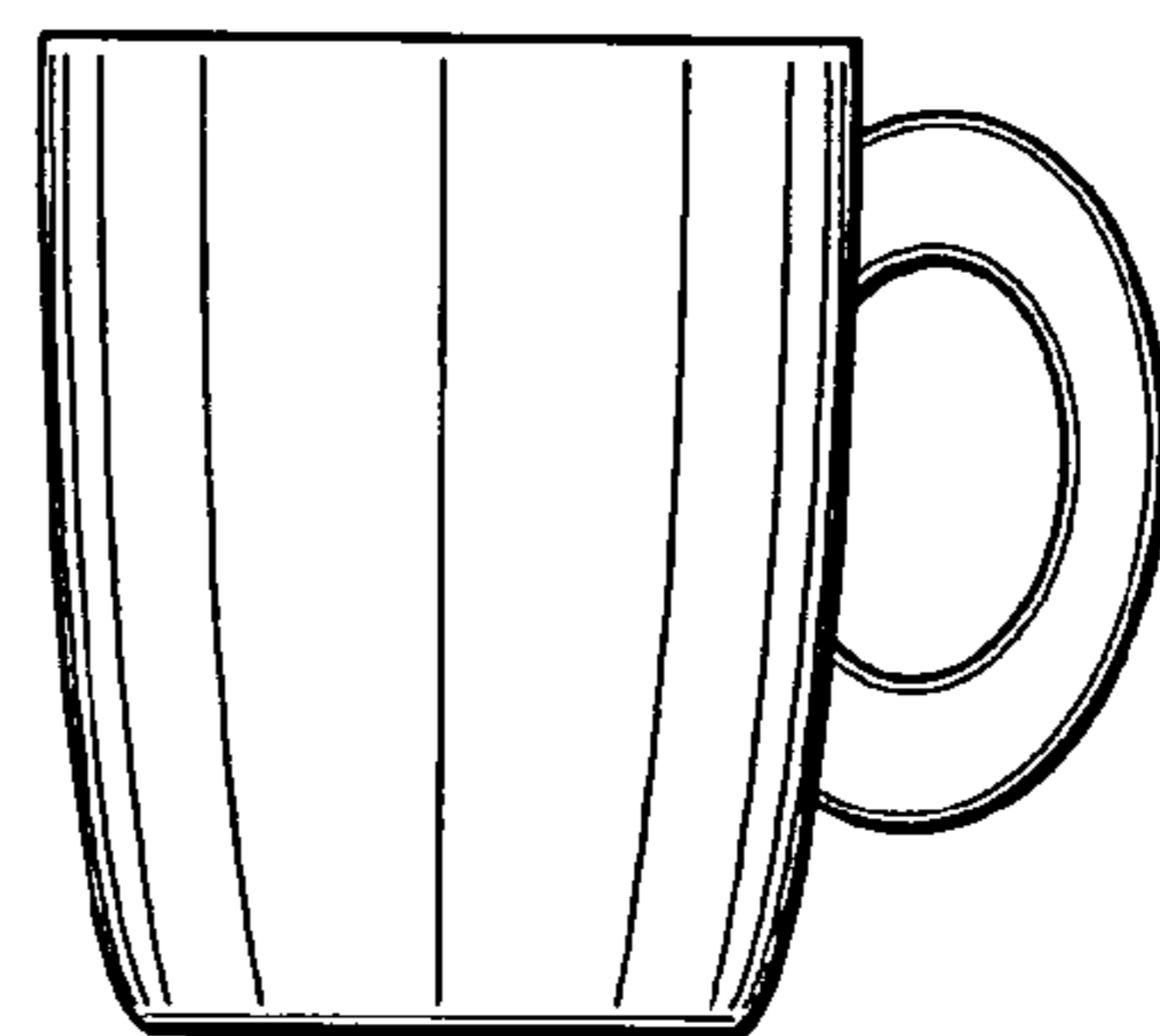
**FIG. 1**



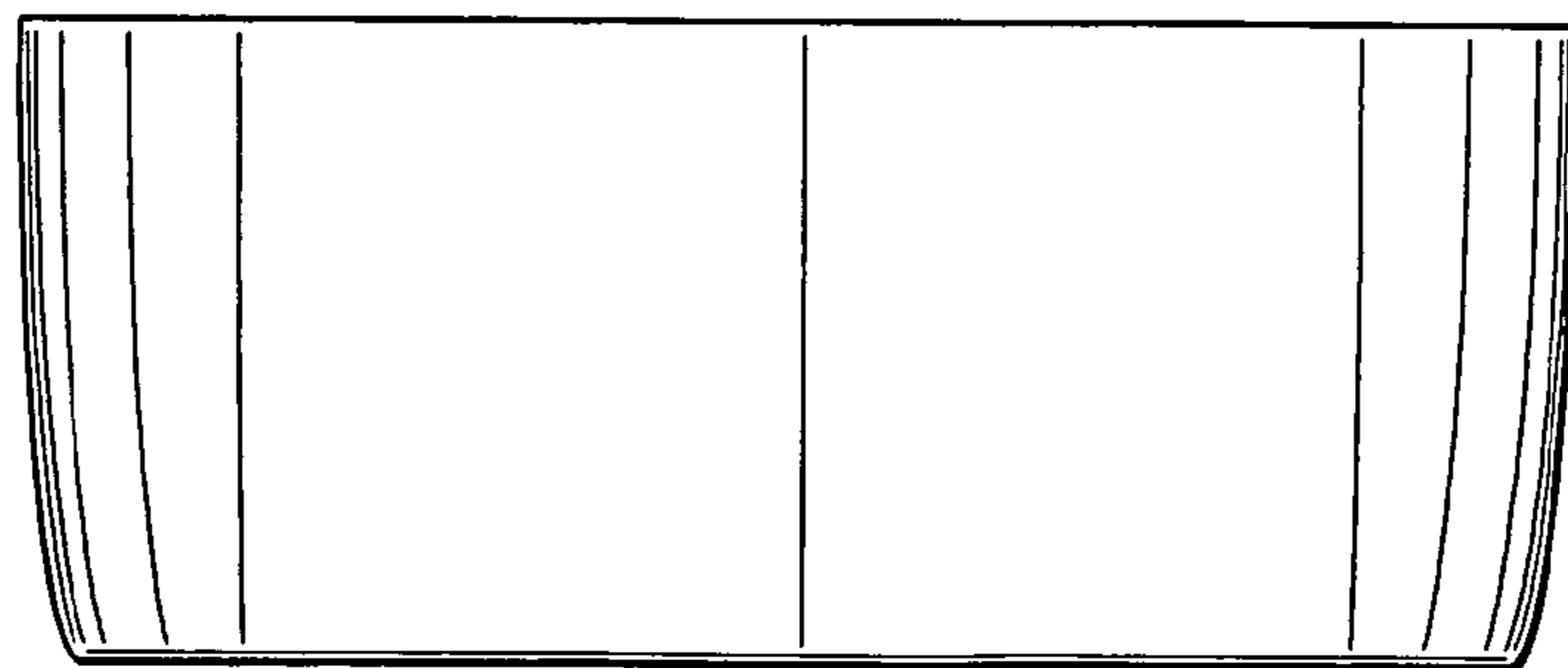
**FIG. 2**



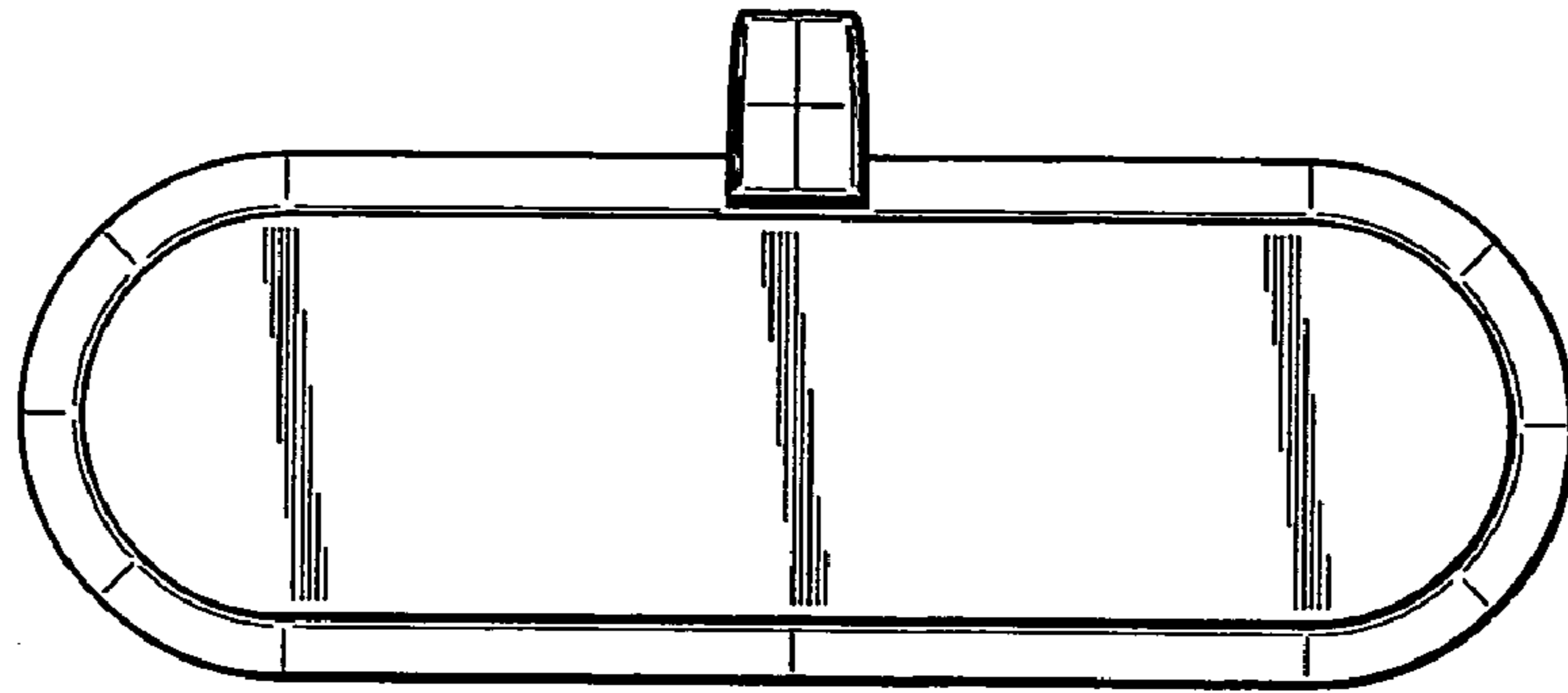
**FIG. 3**



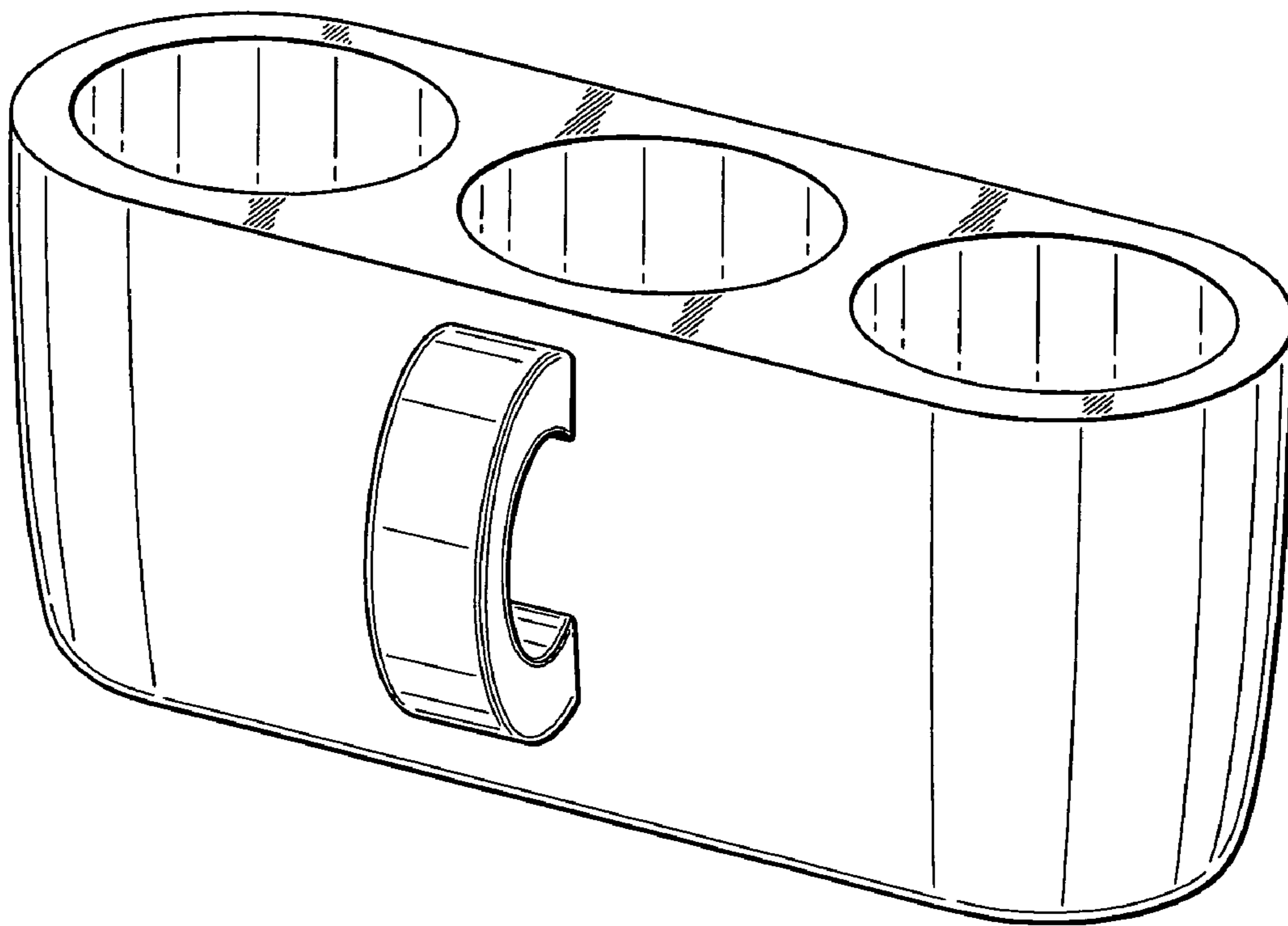
**FIG. 4**



**FIG. 5**



**FIG. 6**



**FIG. 7**