



US00D556508S

(12) **United States Design Patent**
Measom

(10) **Patent No.:** **US D556,508 S**

(45) **Date of Patent:** **** Dec. 4, 2007**

(54) **POULTRY SUPPORT DEVICE**

7,063,007 B2 * 6/2006 Citrynell et al. 99/347
D525,471 S * 7/2006 Measom D7/323

(75) Inventor: **S. Ty Measom**, Logan, UT (US)

OTHER PUBLICATIONS

(73) Assignee: **Logan Outdoor Products, LLC**,
Logan, UT (US)

Clever Gear Holiday 2005, p. 35 Item CM-53239 Turkey Cannon.*

* cited by examiner

(**) Term: **14 Years**

Primary Examiner—Caron D. Veynar

Assistant Examiner—Ricky Pham

(21) Appl. No.: **29/260,563**

(74) *Attorney, Agent, or Firm*—Harris Zimmerman

(22) Filed: **May 25, 2006**

(57) **CLAIM**

(51) **LOC (8) Cl.** **07-02**

The ornamental design for a poultry support device, as shown and described.

(52) **U.S. Cl.** **D7/409**

(58) **Field of Classification Search** D7/323,

D7/354–361, 387, 409; 99/345–347, 422–427,

99/421 A, 421 HH, 421 H, 421 R, 449, 450;

211/85.4, 181; 220/573.1, 485, 491–494,

220/752, 759, 769, 912; 426/132, 523

See application file for complete search history.

DESCRIPTION

FIG. 1 is a perspective view of a poultry support device showing my new design.

FIG. 2 is a front view thereof;

FIG. 3 is a top plan view thereof;

FIG. 4 is a left side view thereof, the right side view being a mirror image;

FIG. 5 is a rear view thereof;

FIG. 6 is a bottom plan view thereof;

FIG. 7 is an exploded perspective view thereof;

FIG. 8 is a top plan view of the base of the device, shown separately for ease of illustration; and,

FIG. 9 is a left side view of the upper portion of the device, shown separately for ease of illustration.

(56) **References Cited**

U.S. PATENT DOCUMENTS

1,339,625 A * 5/1920 Holloway 99/346

5,575,198 A * 11/1996 Lowery 99/426

6,062,131 A * 5/2000 Holland 99/345

6,119,585 A * 9/2000 Guidry 99/345

6,192,792 B1 * 2/2001 Gremillion 99/426

6,265,004 B1 * 7/2001 Cagle 426/132

6,349,632 B1 * 2/2002 Beck, Jr. 99/345

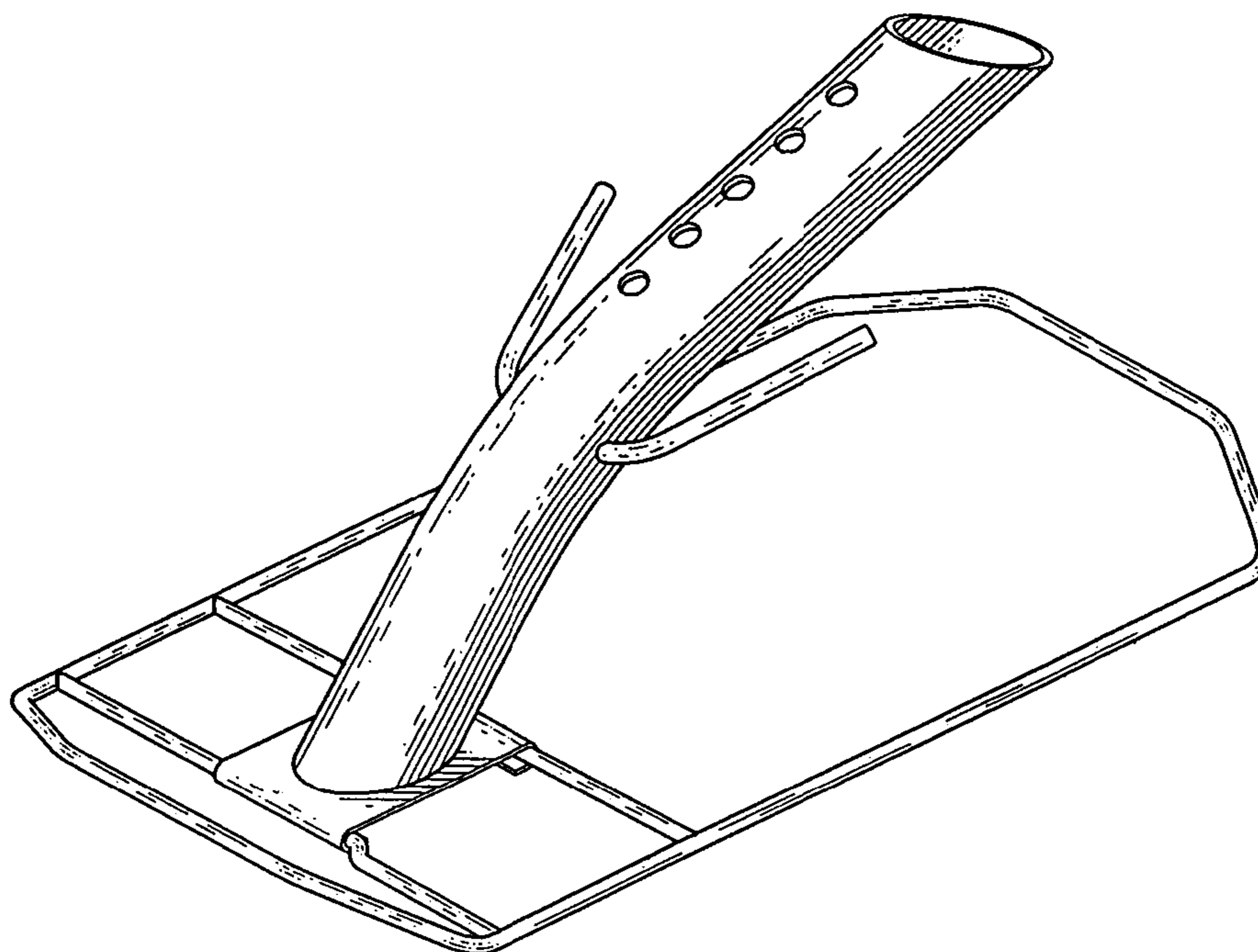
6,467,399 B1 * 10/2002 Boutte 99/347

6,502,501 B1 * 1/2003 Simon 99/345

6,502,503 B1 * 1/2003 Bell et al. 99/419

6,503,551 B1 * 1/2003 Hester 426/523

1 Claim, 3 Drawing Sheets



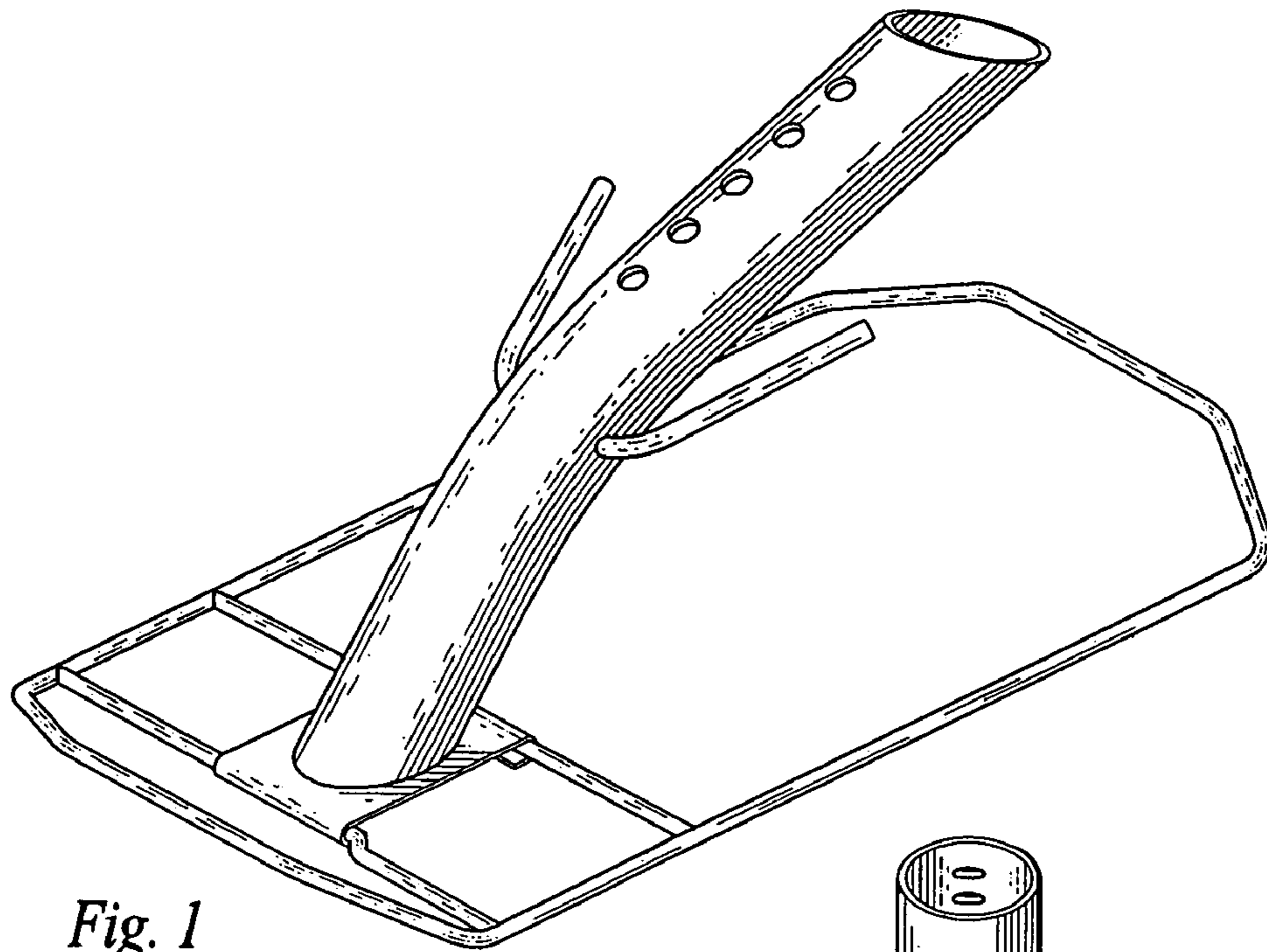


Fig. 1

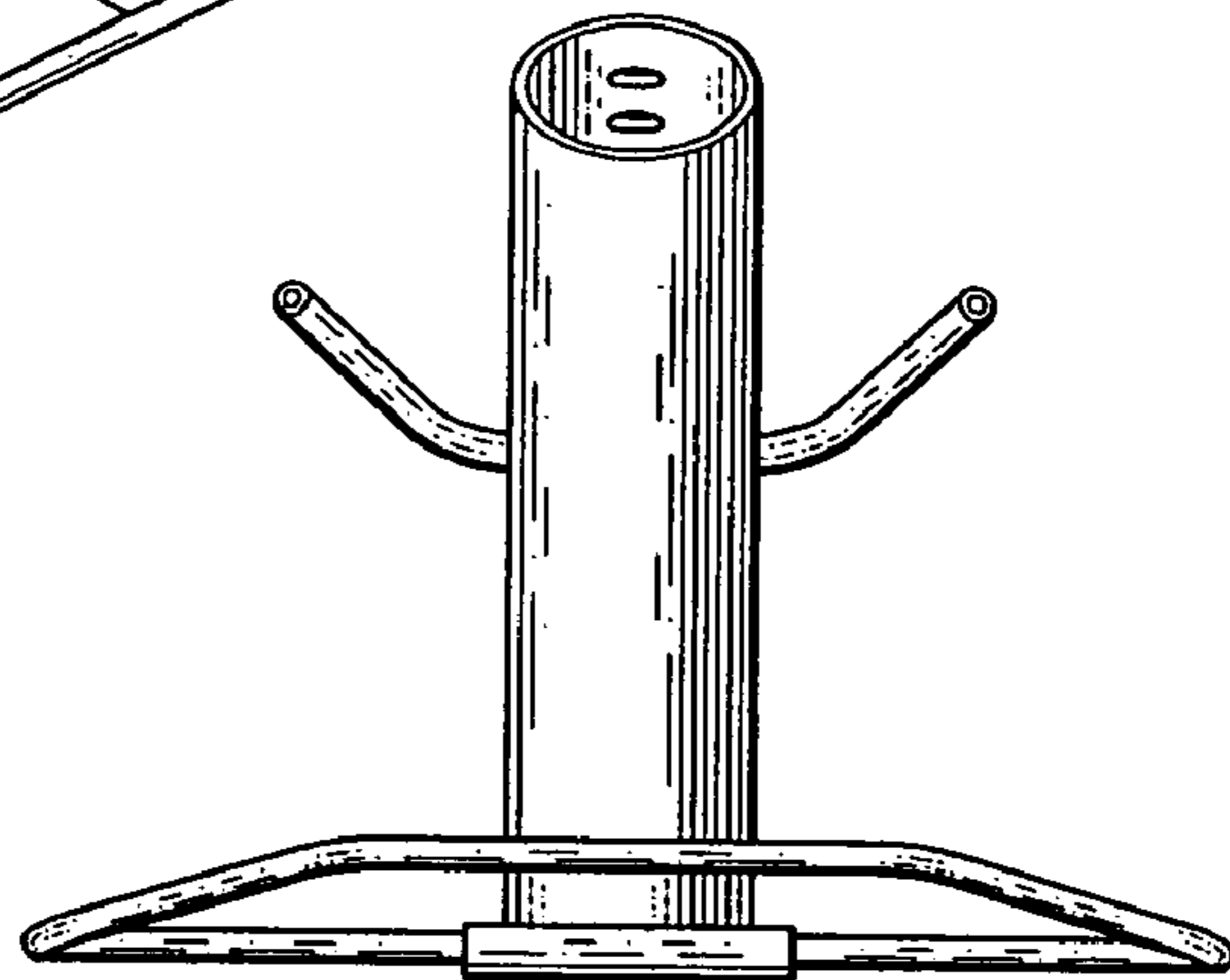


Fig. 2

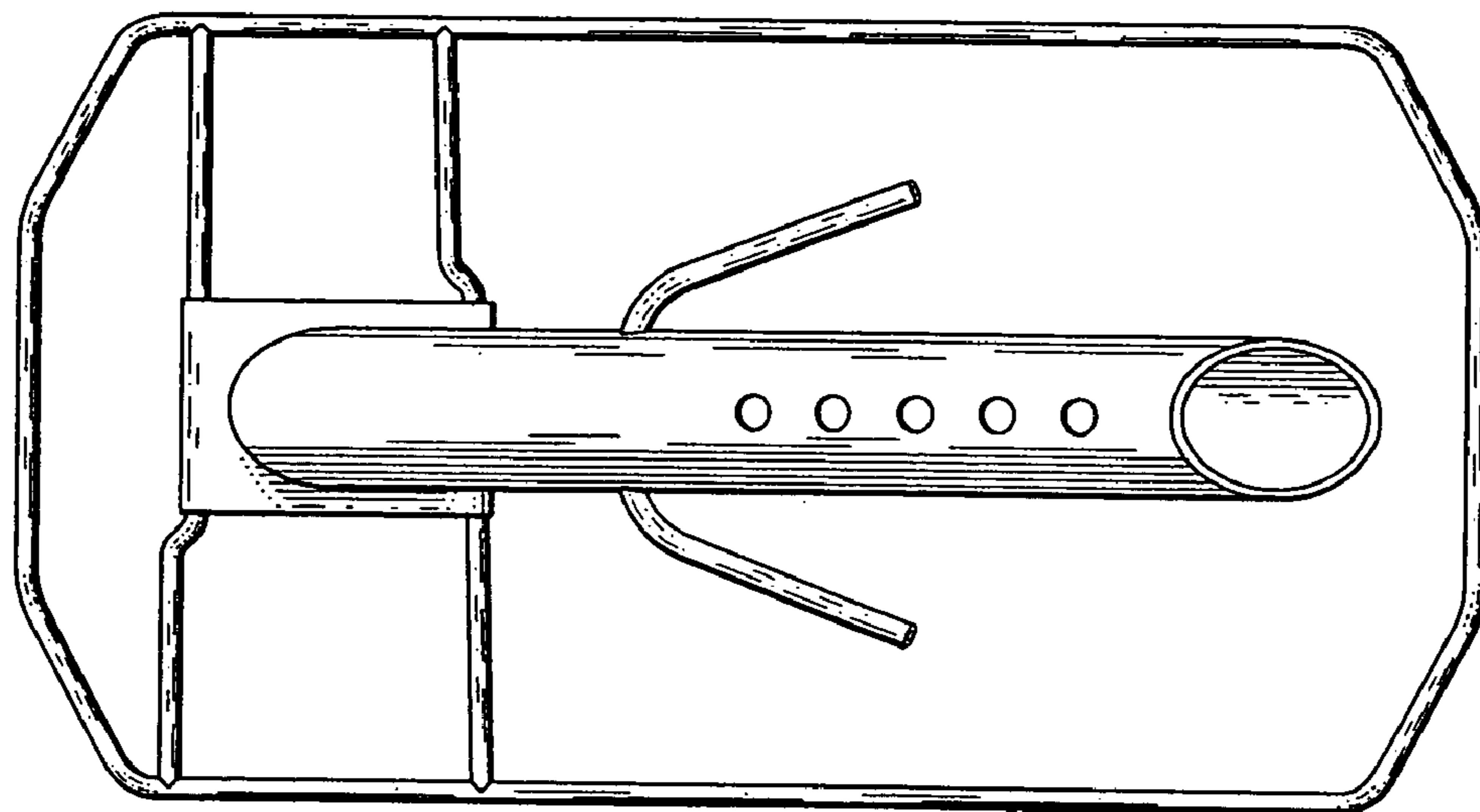


Fig. 3

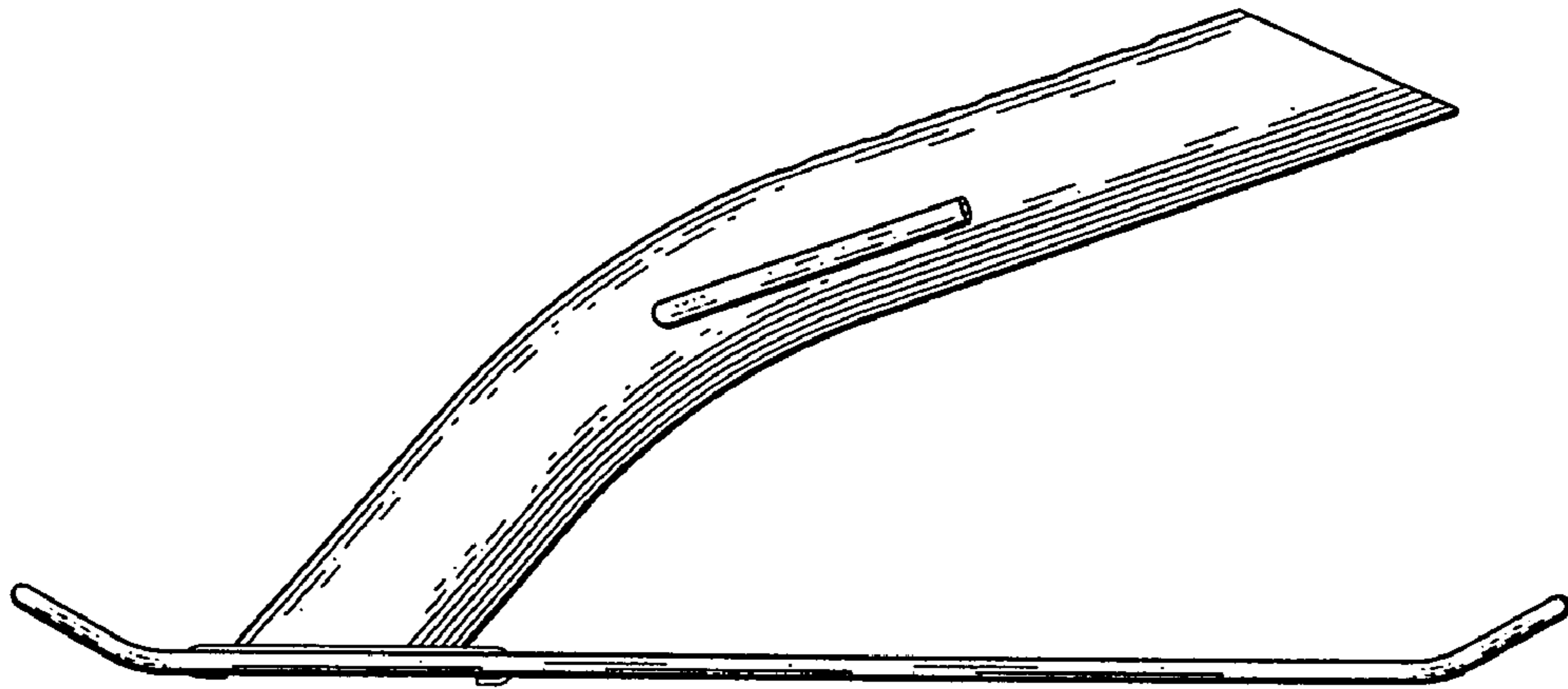


Fig. 4

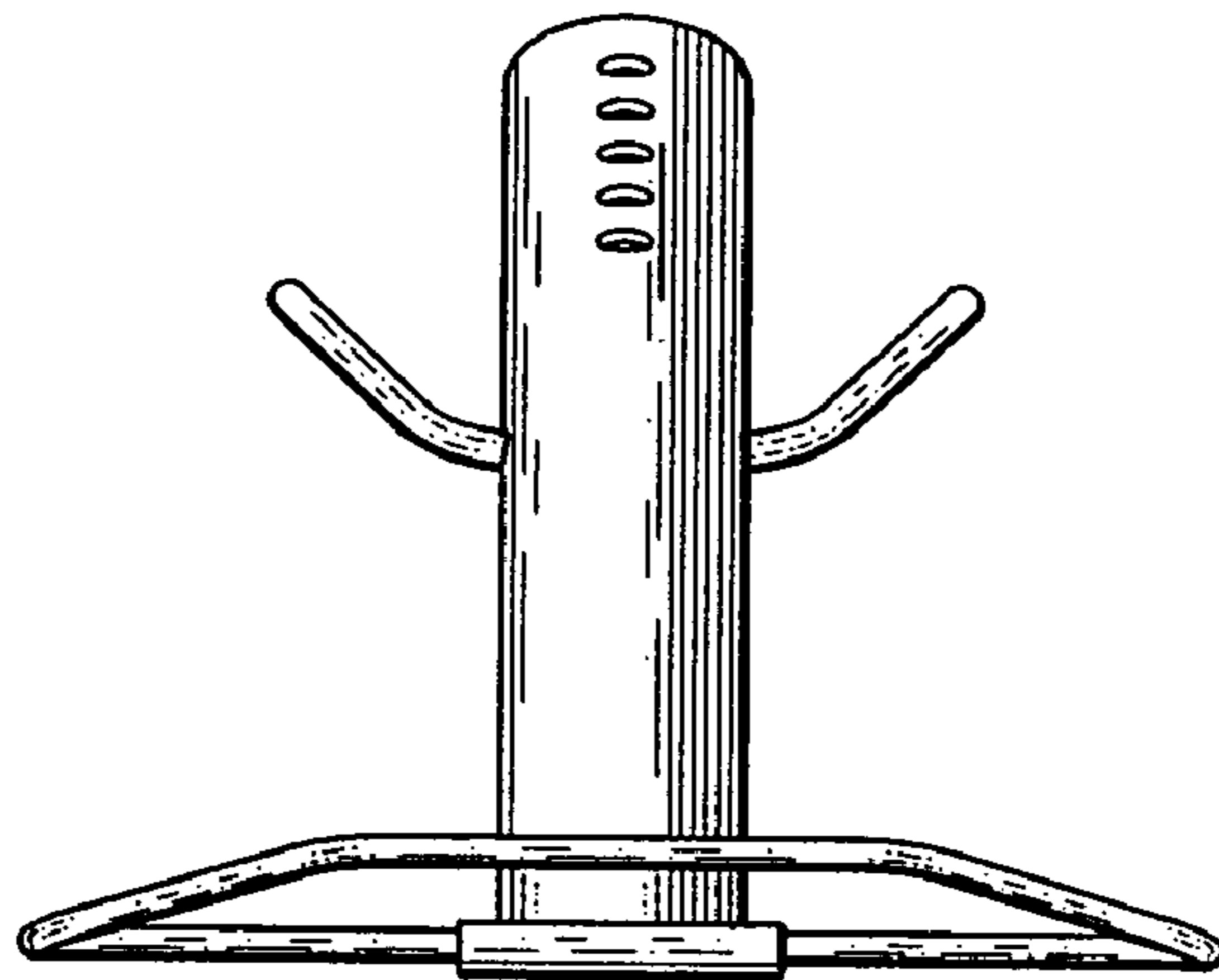


Fig. 5

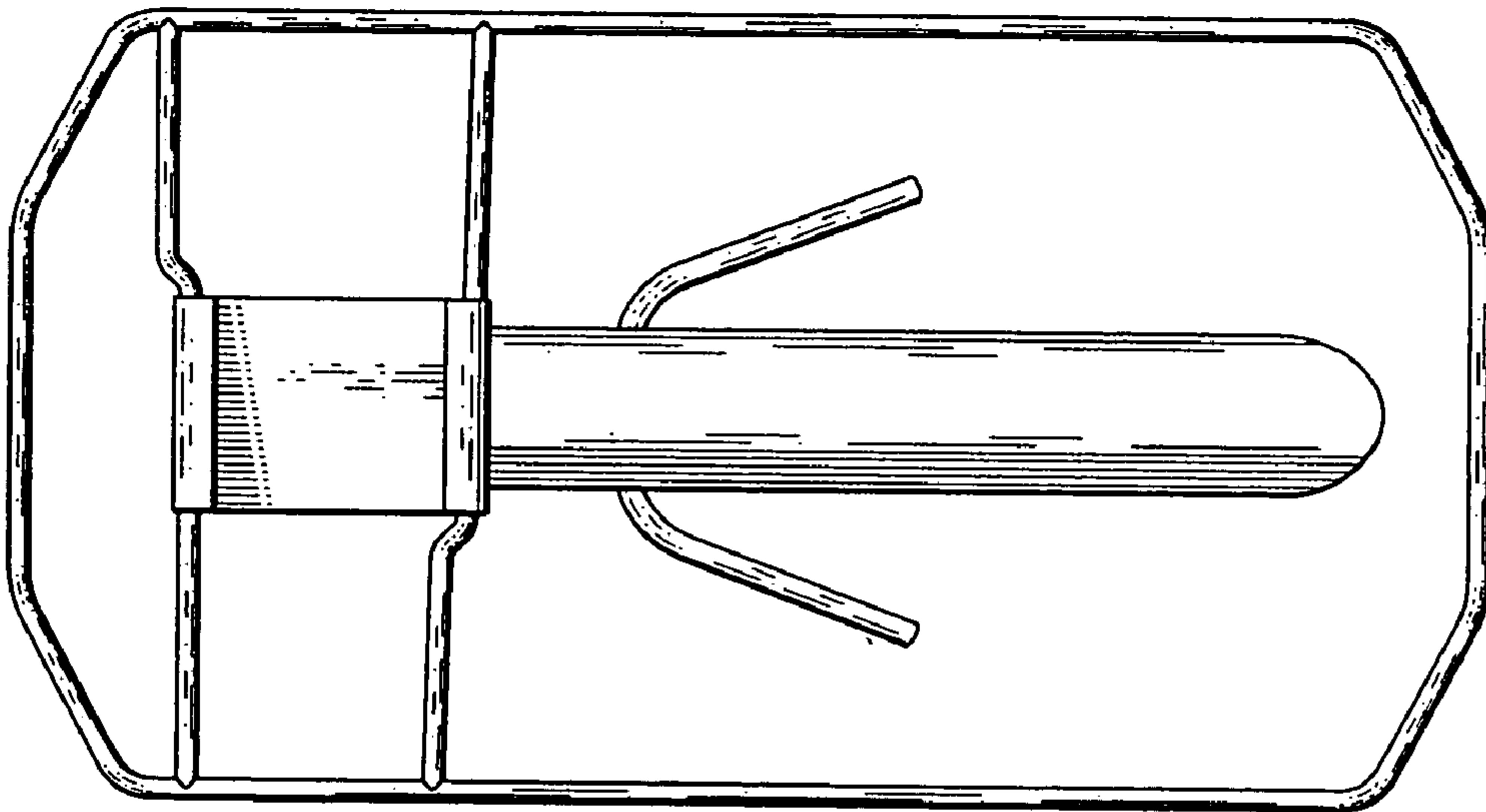


Fig. 6

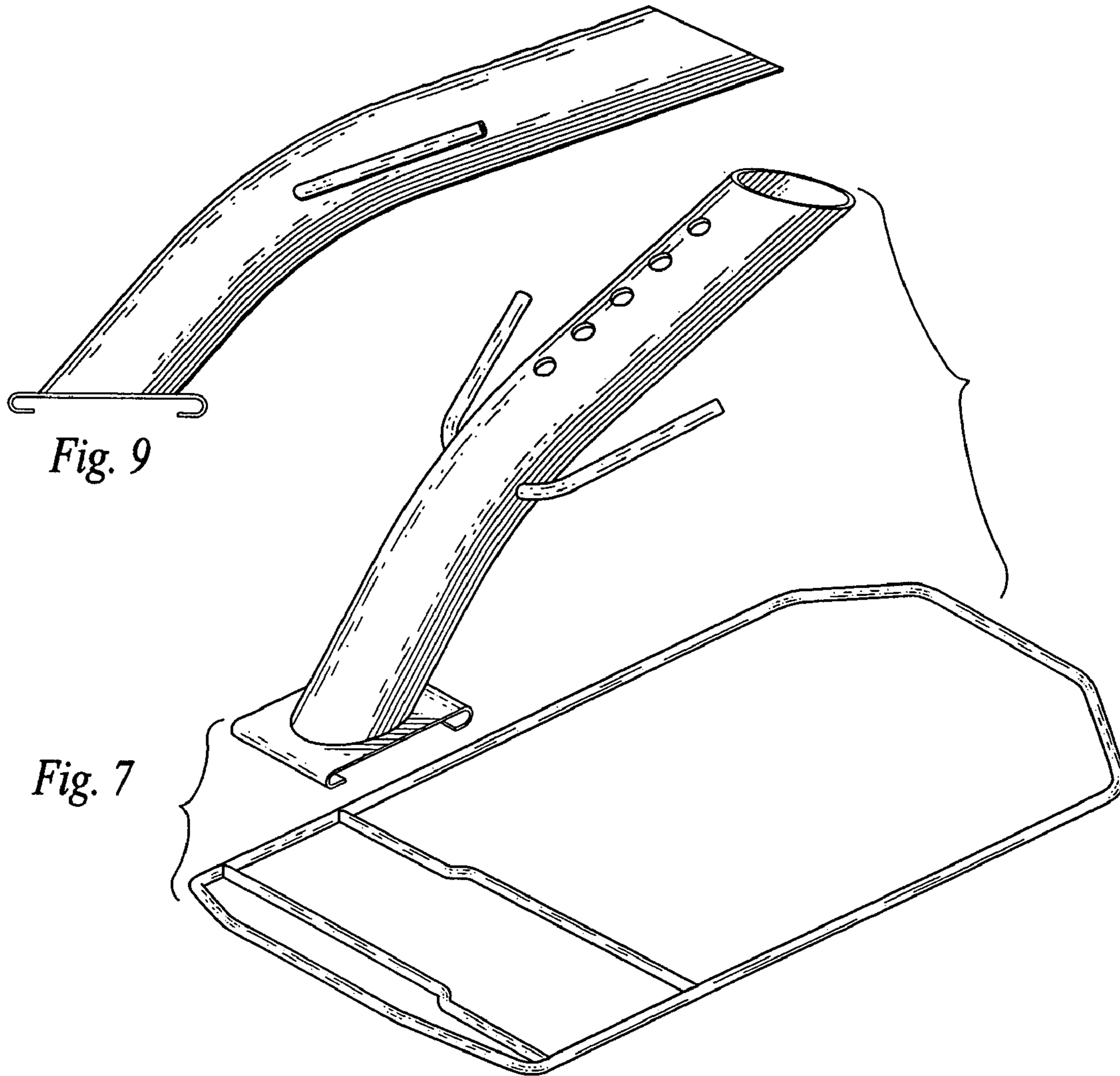


Fig. 9

Fig. 7

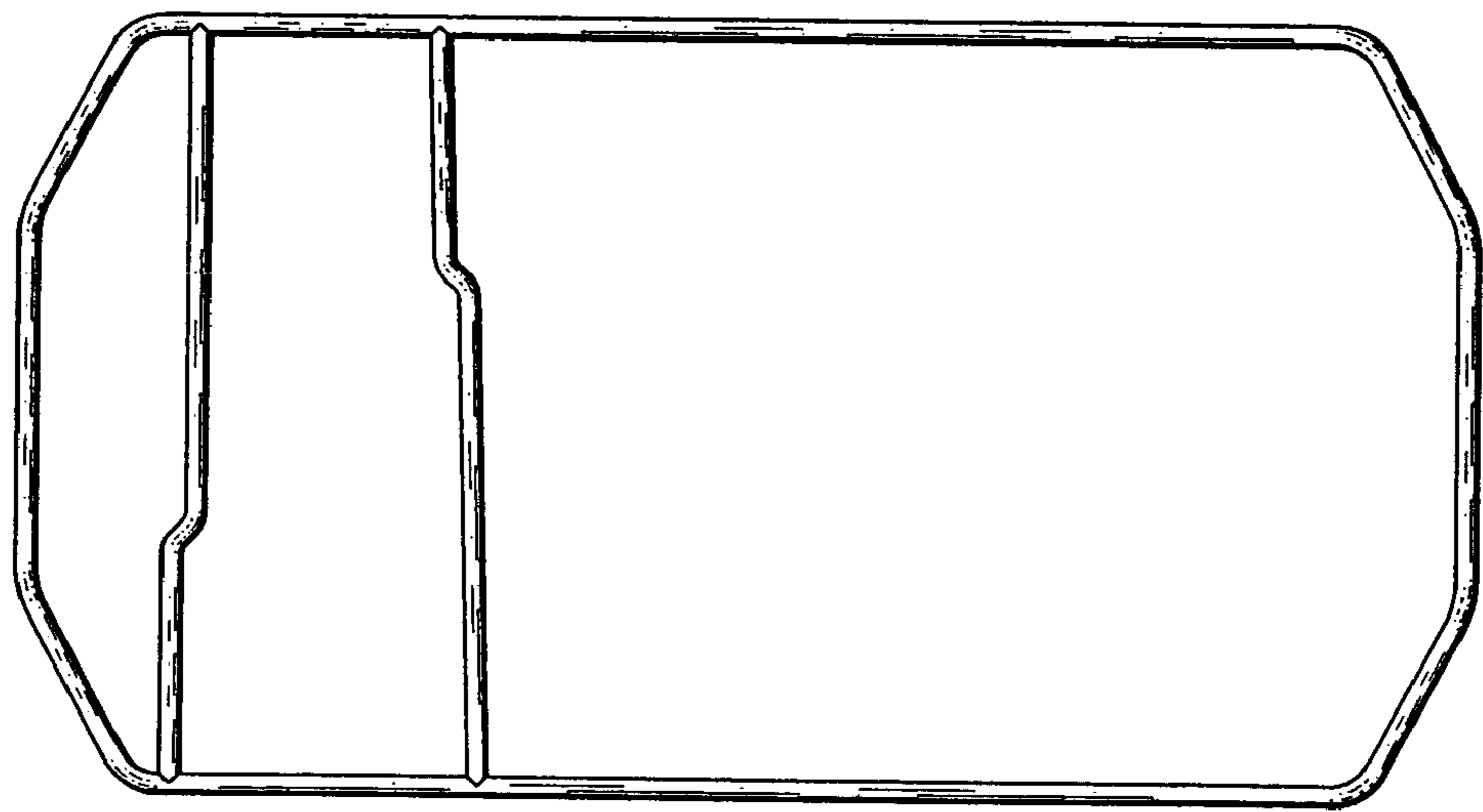


Fig. 8