



US00D556507S

(12) **United States Design Patent**
Chan

(10) **Patent No.:** **US D556,507 S**
(45) **Date of Patent:** **** Dec. 4, 2007**

(54) **COVER FOR GRATER**

(75) Inventor: **David Chan**, Scarborough (CA)

(73) Assignee: **Browne & Co.**, Markham, Ontario (CA)

(**) Term: **14 Years**

(21) Appl. No.: **29/272,073**

(22) Filed: **Feb. 1, 2007**

(51) **LOC (8) Cl.** **07-02**

(52) **U.S. Cl.** **D7/391**

(58) **Field of Classification Search** D7/368,
D7/387-391, 669, 673, 678, 693; 83/167,
83/699.51, 856-858; 99/495, 510; 241/84.4,
241/95, 100, 101.1, 101.2, 168-169, 273.1-273.4,
241/285.2; 407/29.1, 29.11

See application file for complete search history.

(56) **References Cited**

U.S. PATENT DOCUMENTS

- 743,472 A * 11/1903 Eckhardt 241/95
- 1,922,973 A * 8/1933 Mischanski 241/273.1
- 2,261,743 A * 11/1941 Murcic 83/857
- 5,692,424 A * 12/1997 Wallace 83/167
- D409,882 S * 5/1999 Zirbes D7/673
- D440,129 S * 4/2001 Young et al. D7/678
- D446,691 S * 8/2001 Wong D7/673
- D447,019 S * 8/2001 Wong D7/673
- D447,022 S * 8/2001 Wong D7/678
- D467,473 S * 12/2002 Kerr D7/678

- D475,584 S * 6/2003 Bachman et al. D7/673
- D494,025 S * 8/2004 Wong D7/678
- D536,224 S * 2/2007 Berger et al. D7/673

* cited by examiner

Primary Examiner—Mimosa De

Assistant Examiner—Ricky Pham

(74) *Attorney, Agent, or Firm*—Gowling LaFleur Henderson LLP

(57) **CLAIM**

The ornamental design for a cover for grater, as shown and described.

DESCRIPTION

FIG. 1 is a top perspective view of a cover for grater showing my new design;

FIG. 2 is a bottom perspective view thereof;

FIG. 3 is an inverted end view thereof;

FIG. 4 is a bottom view thereof;

FIG. 5 is a top view thereof;

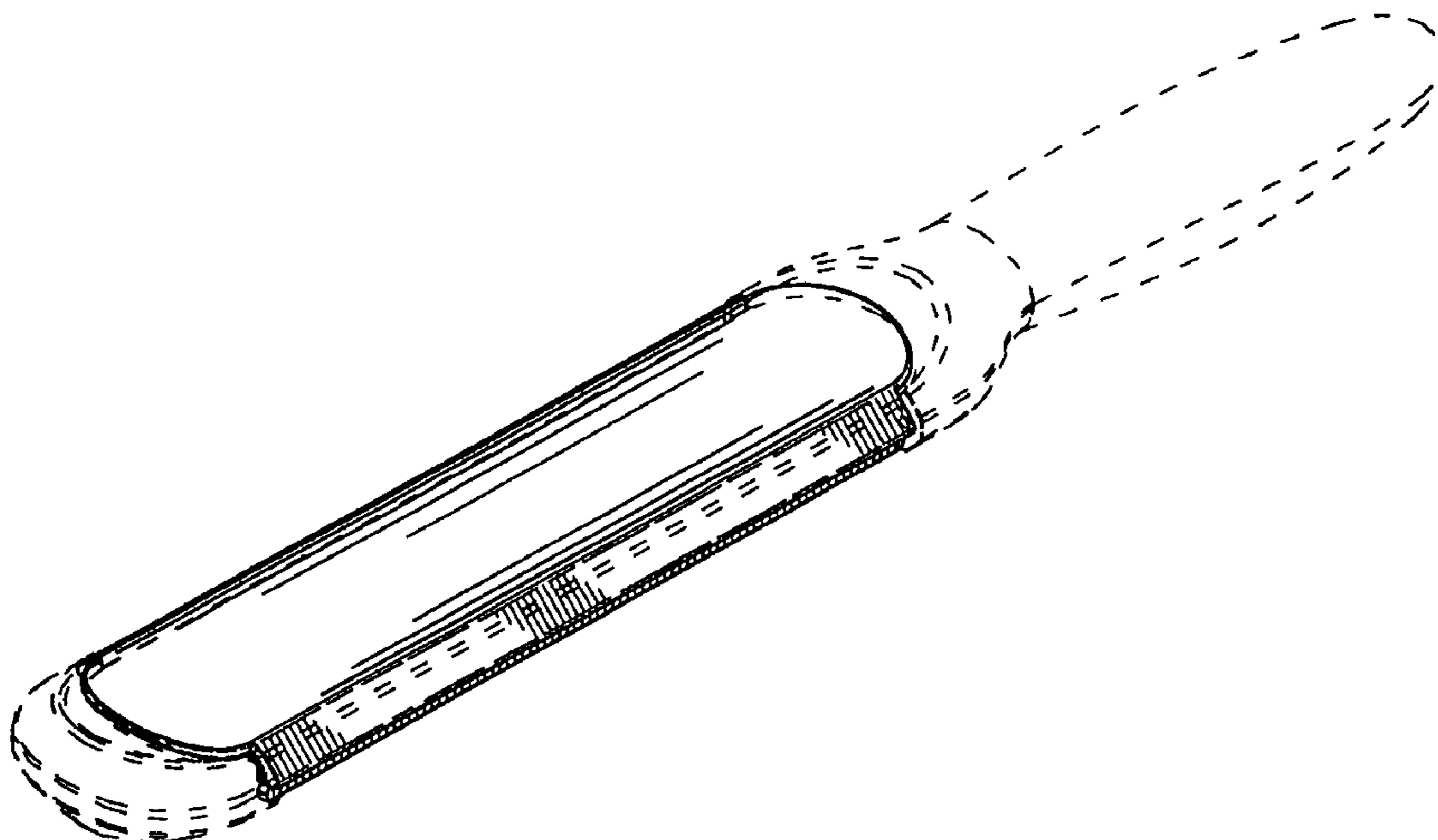
FIG. 6 is a side view thereof;

FIG. 7 is a top perspective view of the cover showing a grater in broken lines; and,

FIG. 8 is a bottom perspective view of the cover showing a grater in broken lines.

The broken lines are for illustrative purposes only and form no part of the claimed design.

1 Claim, 3 Drawing Sheets



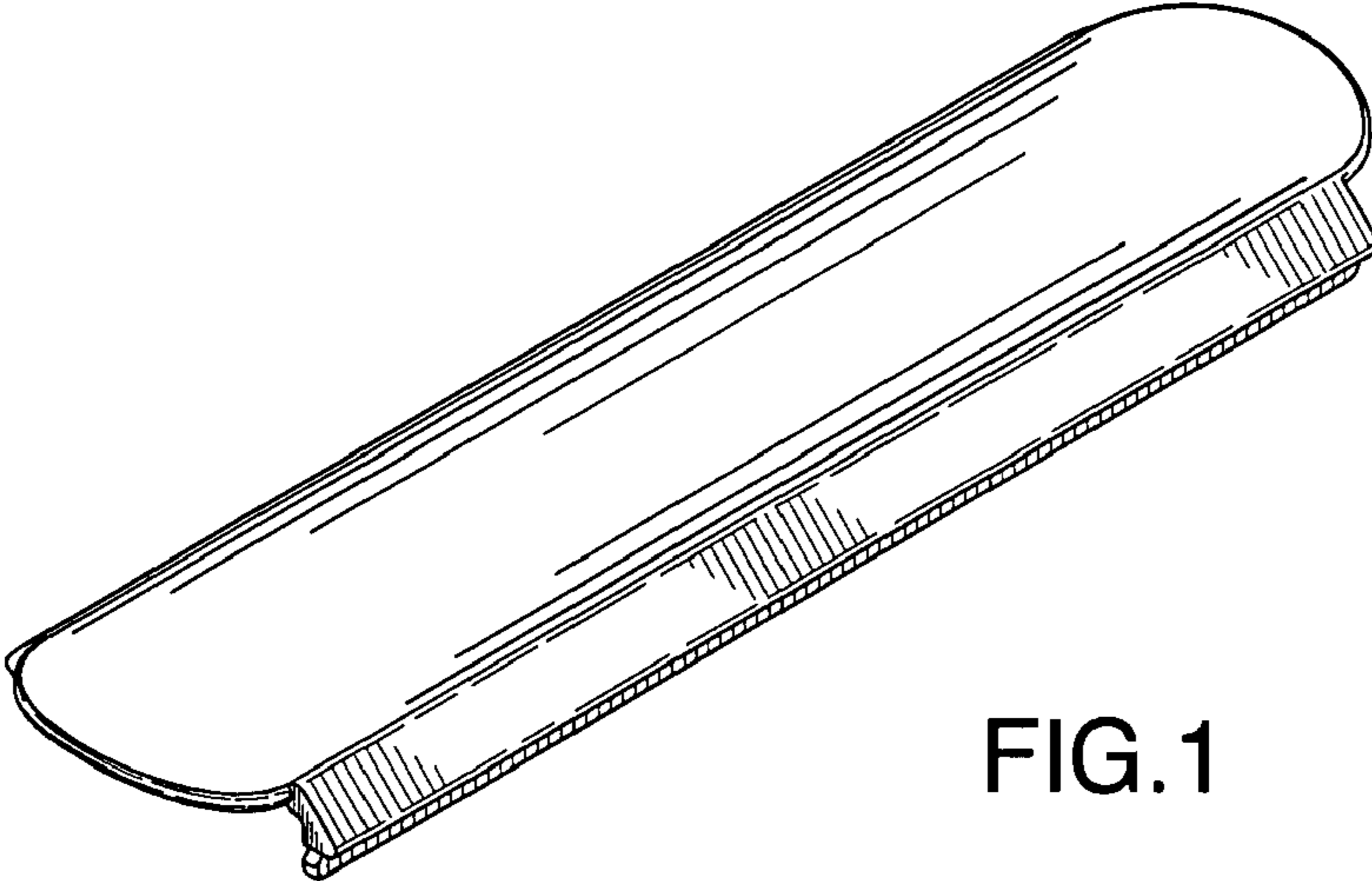


FIG. 1

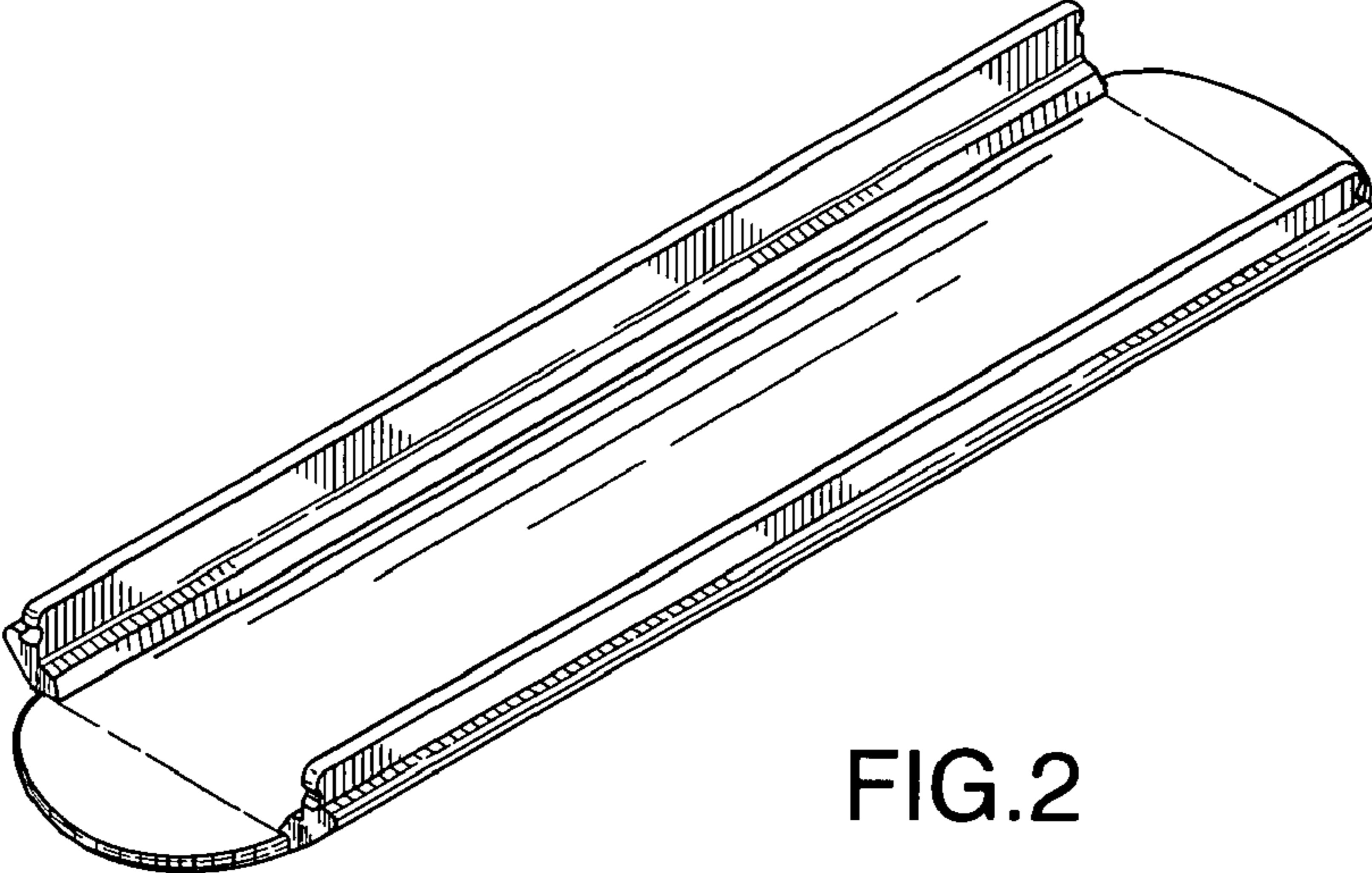


FIG. 2

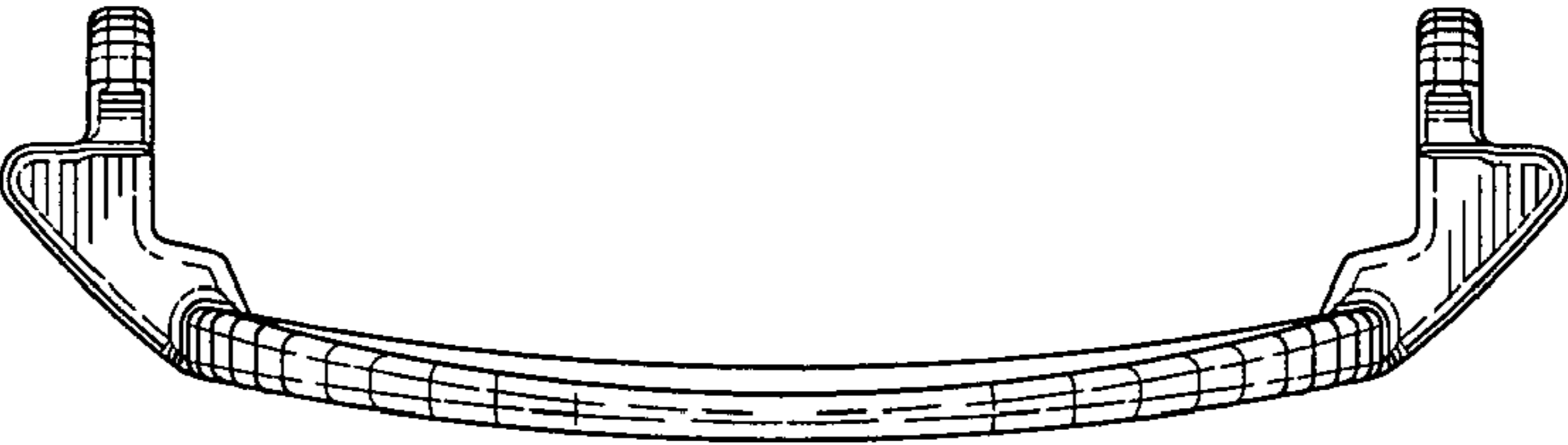


FIG. 3

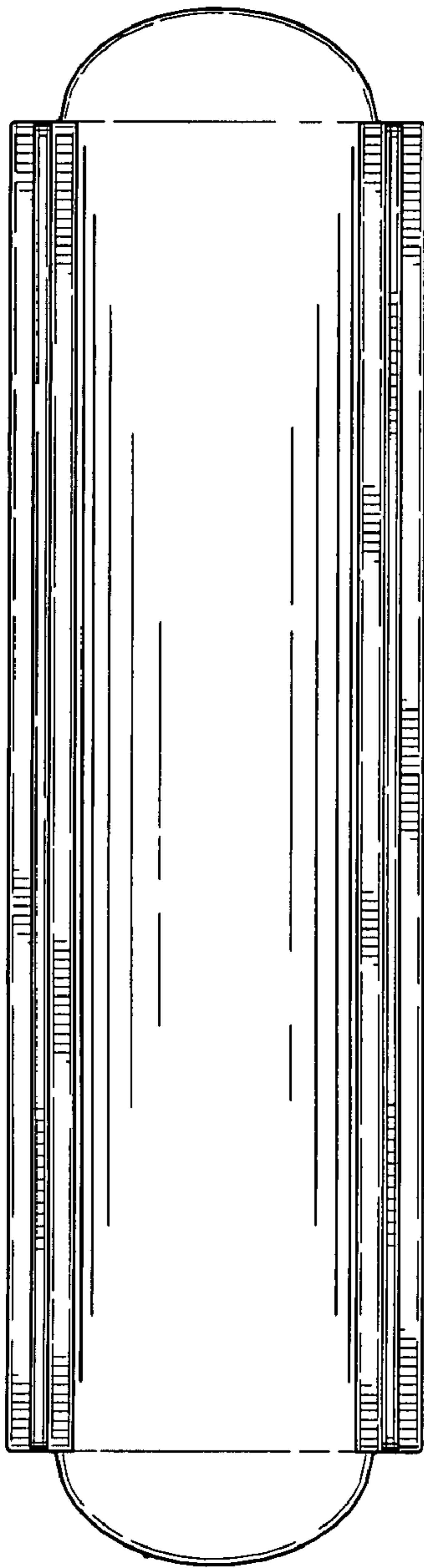


FIG. 4

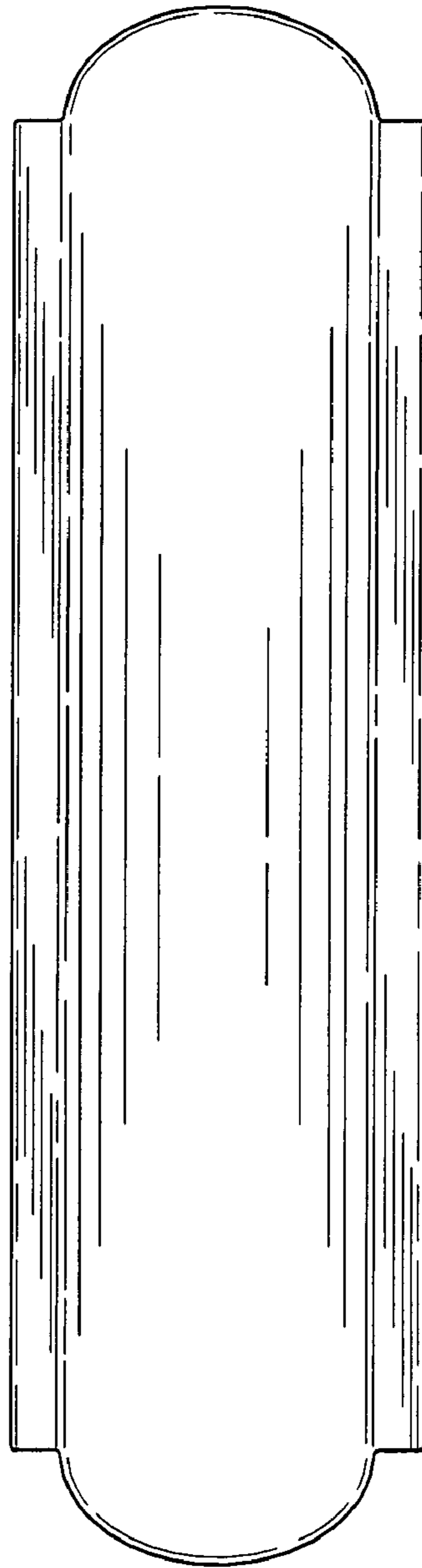


FIG. 5

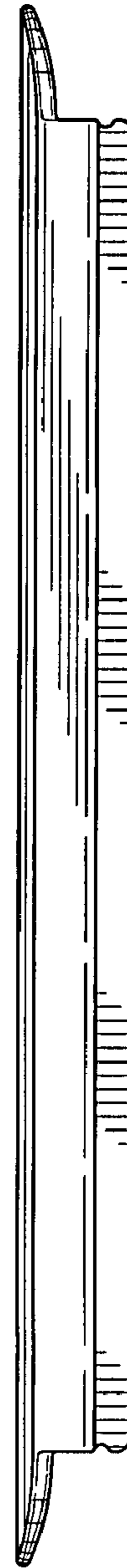


FIG. 6

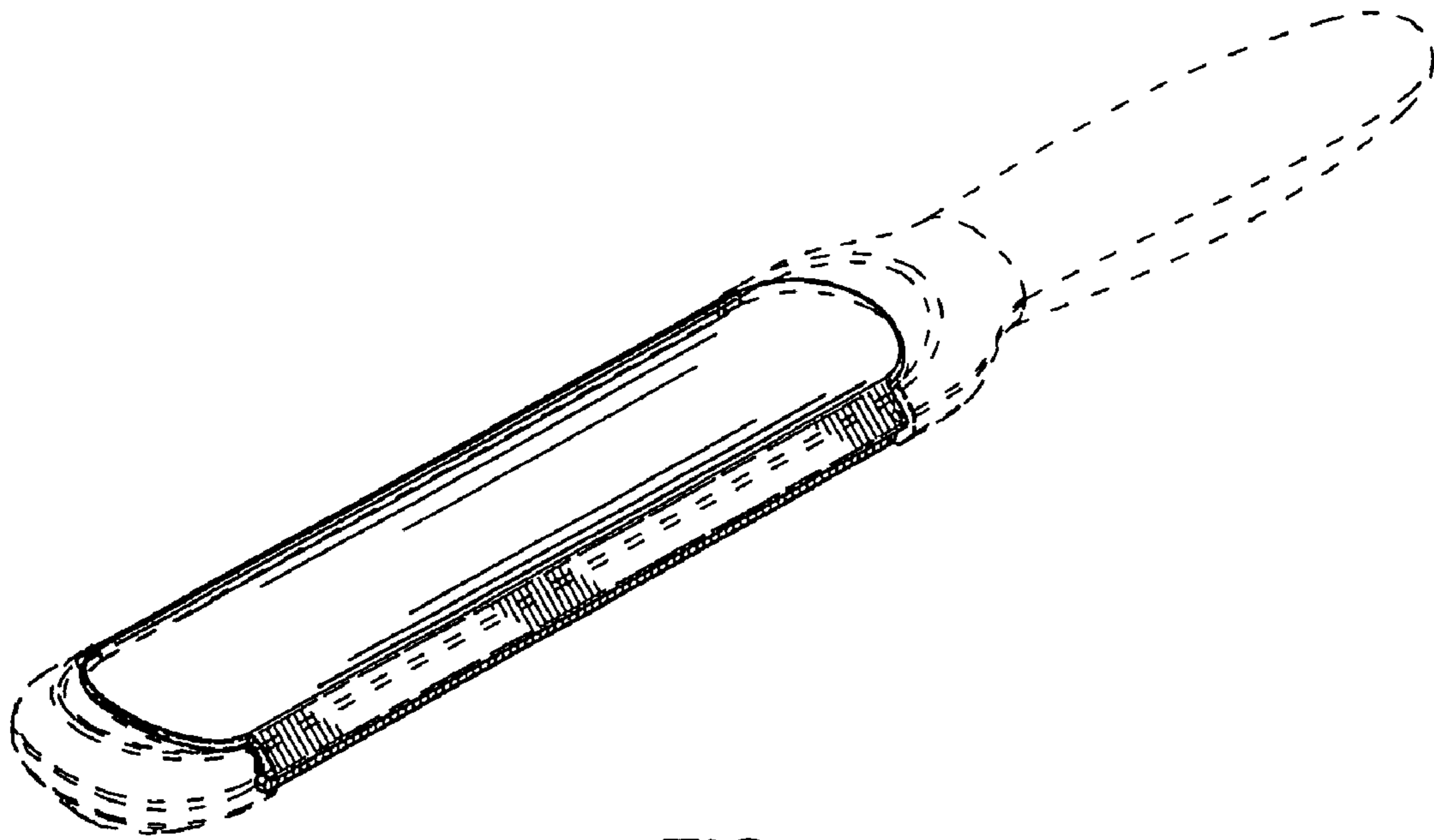


FIG. 7

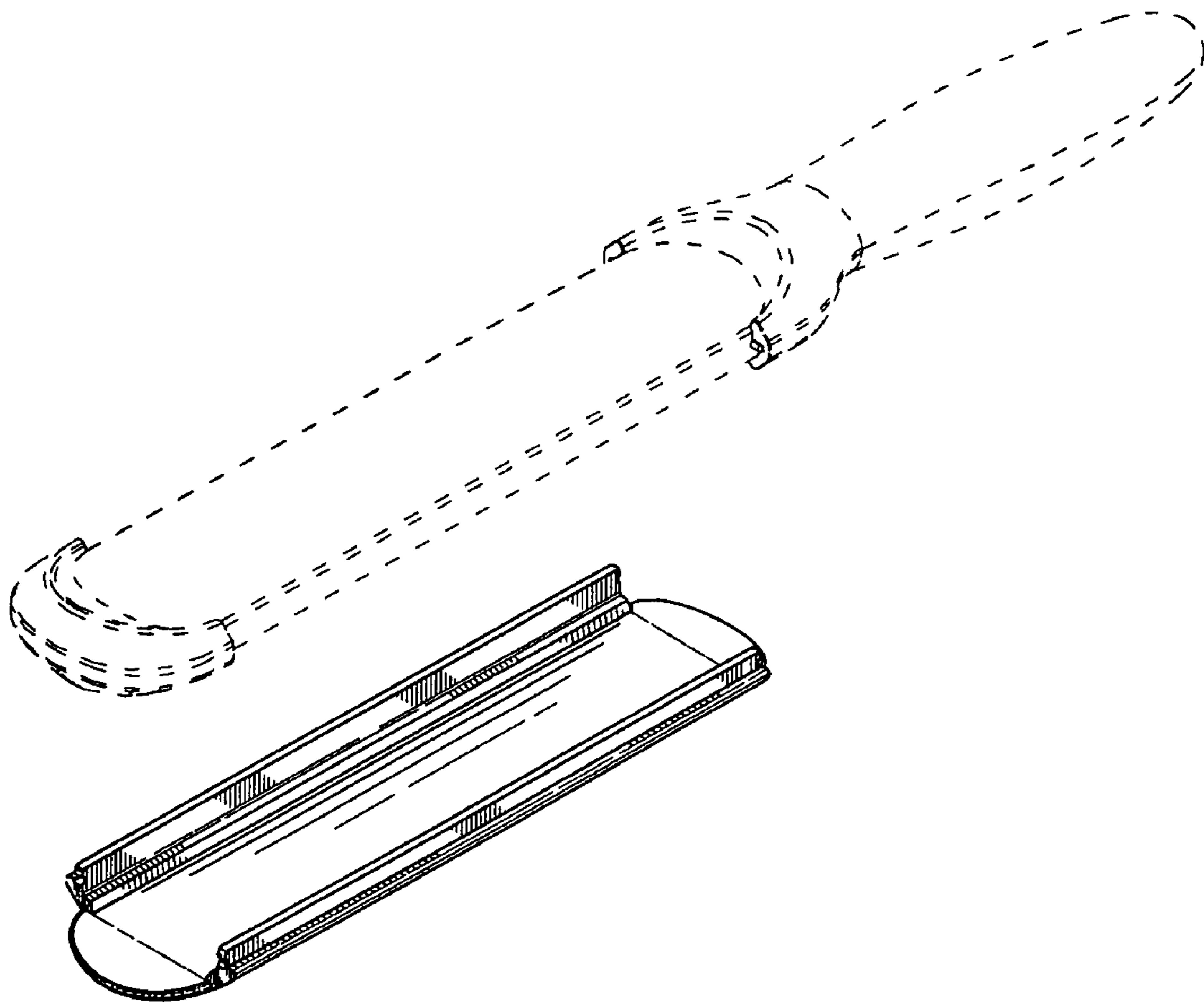


FIG. 8