



US00D556499S

(12) **United States Design Patent**
Green

(10) **Patent No.:** **US D556,499 S**

(45) **Date of Patent:** **** Dec. 4, 2007**

(54) **HOT WATER DISPENSER FOR BEVERAGES**

(75) Inventor: **Clare Green**, Paris (FR)

(73) Assignee: **Seb S.A.**, Ecully (FR)

(**) Term: **14 Years**

(21) Appl. No.: **29/263,344**

(22) Filed: **Jul. 21, 2006**

(30) **Foreign Application Priority Data**

Jan. 31, 2006 (EM) 000472659

(51) **LOC (8) Cl.** **07-01**

(52) **U.S. Cl.** **D7/313; D7/306**

(58) **Field of Classification Search** D7/306-308,
D7/311, 313, 312, 305, 608, 300; 312/209;
99/282, 280; 62/389, 397, 391; 222/185.1,
222/129, 146.6; D23/209; D34/14; D20/5;
D15/82; D25/135; D6/481

See application file for complete search history.

(56) **References Cited**

U.S. PATENT DOCUMENTS

D293,537 S * 1/1988 Seike et al. D7/313
D389,002 S * 1/1998 Demore et al. D7/313
D408,494 S * 4/1999 Parise D23/209
D428,963 S * 8/2000 Bainton D23/209
D484,355 S * 12/2003 De Gooijer D7/313

D486,883 S * 2/2004 O'Loughlin D23/209
D501,912 S * 2/2005 Tanner et al. D23/209
7,017,472 B2 * 3/2006 Grant et al. 99/282
D518,677 S * 4/2006 Van Berlo D7/306
D522,794 S * 6/2006 Imai D7/313
D544,286 S * 6/2007 Cahen D7/306

* cited by examiner

Primary Examiner—M. N. Pandozzi

(74) *Attorney, Agent, or Firm*—Young & Thompson

(57) **CLAIM**

The ornamental design for a hot water dispenser for beverages, as shown.

DESCRIPTION

FIG. 1 is a top, front and side perspective view of a hot water dispenser for beverages, showing my new design;

FIG. 2 is a front elevational view thereof;

FIG. 3 is a rear elevational view thereof;

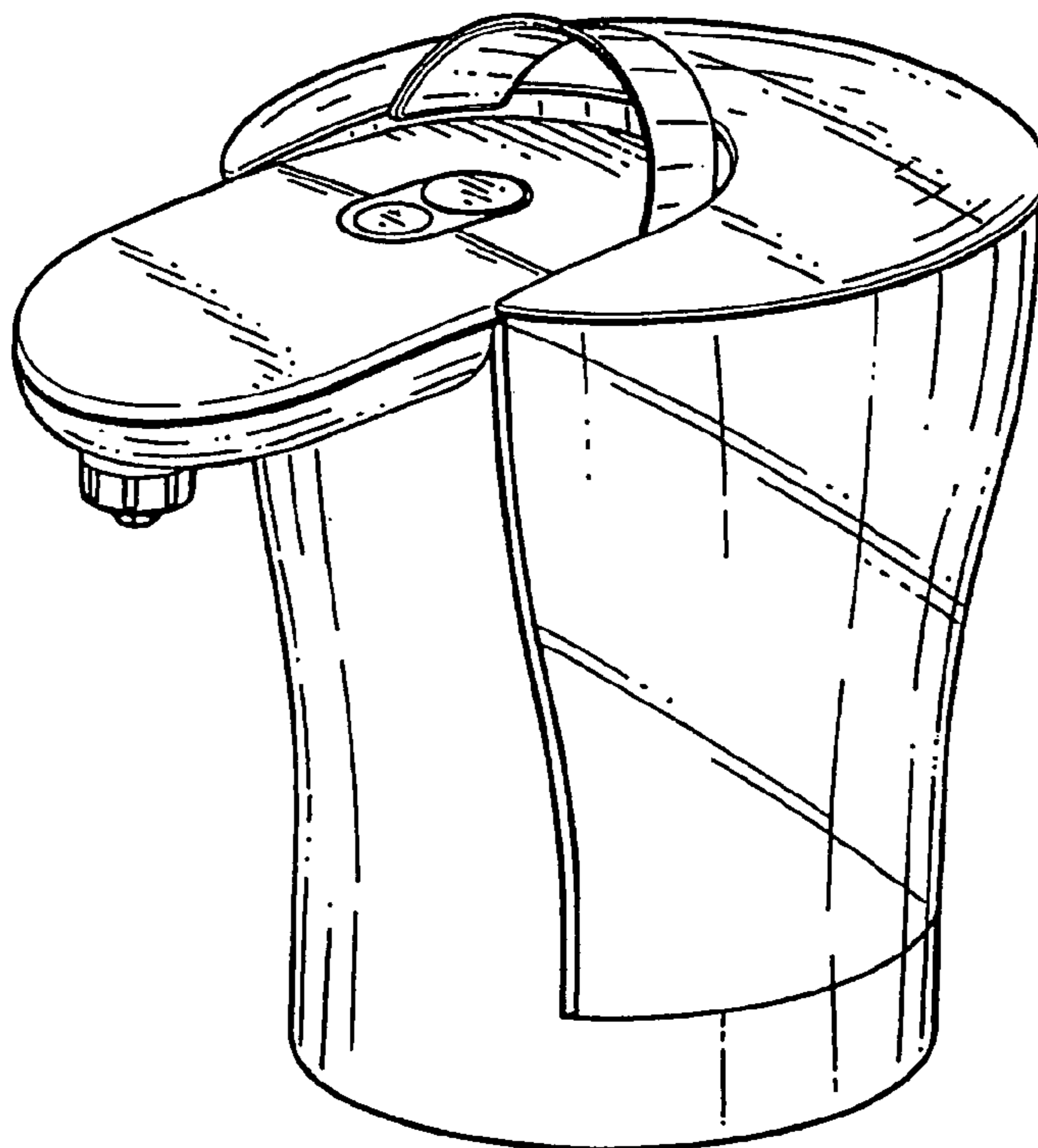
FIG. 4 is a side elevational view thereof from the right of Figure;

FIG. 5 is a side elevational view thereof from the left of FIG. 2;

FIG. 6 is a top plan view thereof; and,

FIG. 7 is a bottom plan view thereof.

1 Claim, 7 Drawing Sheets



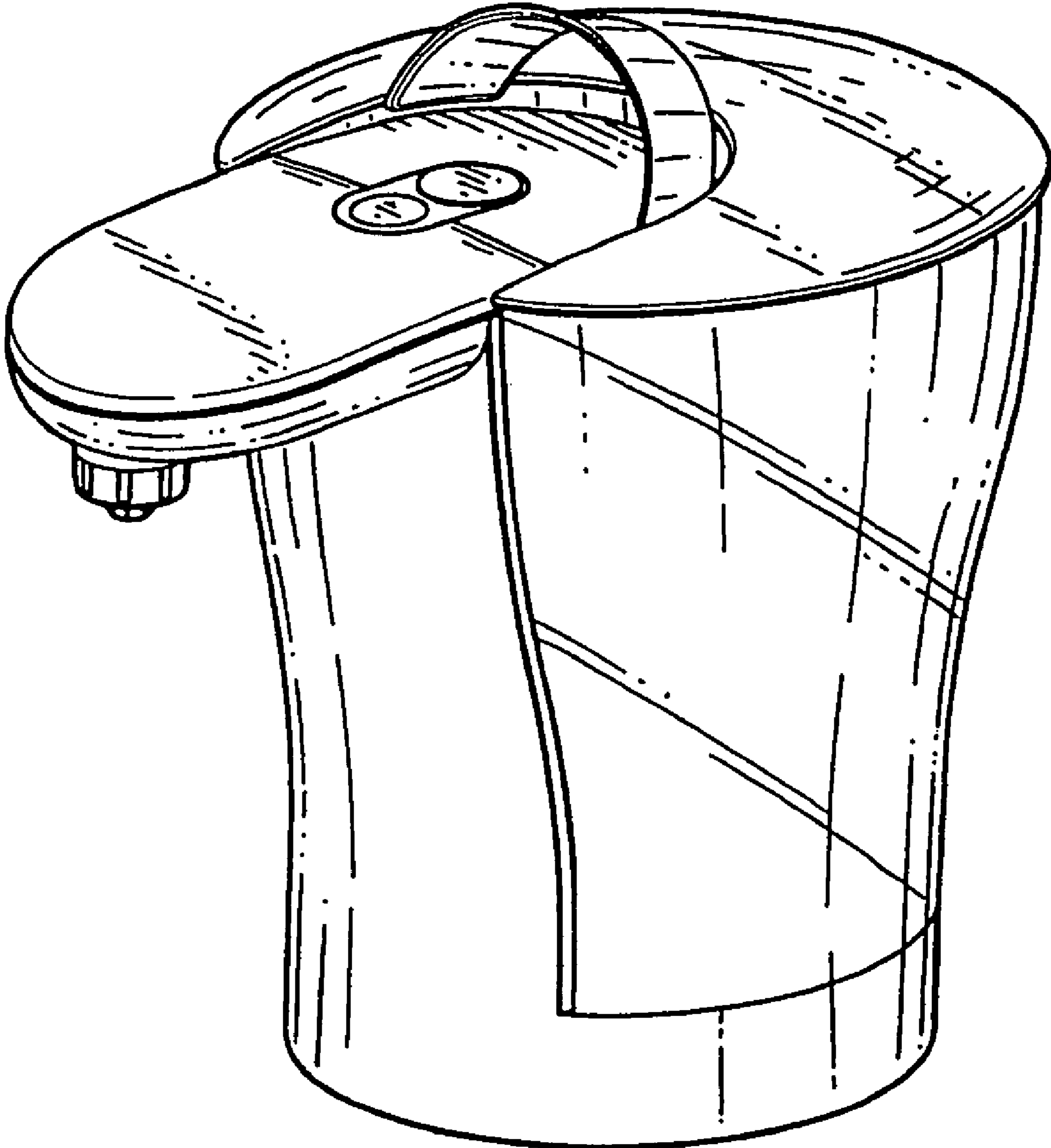


FIG. 1

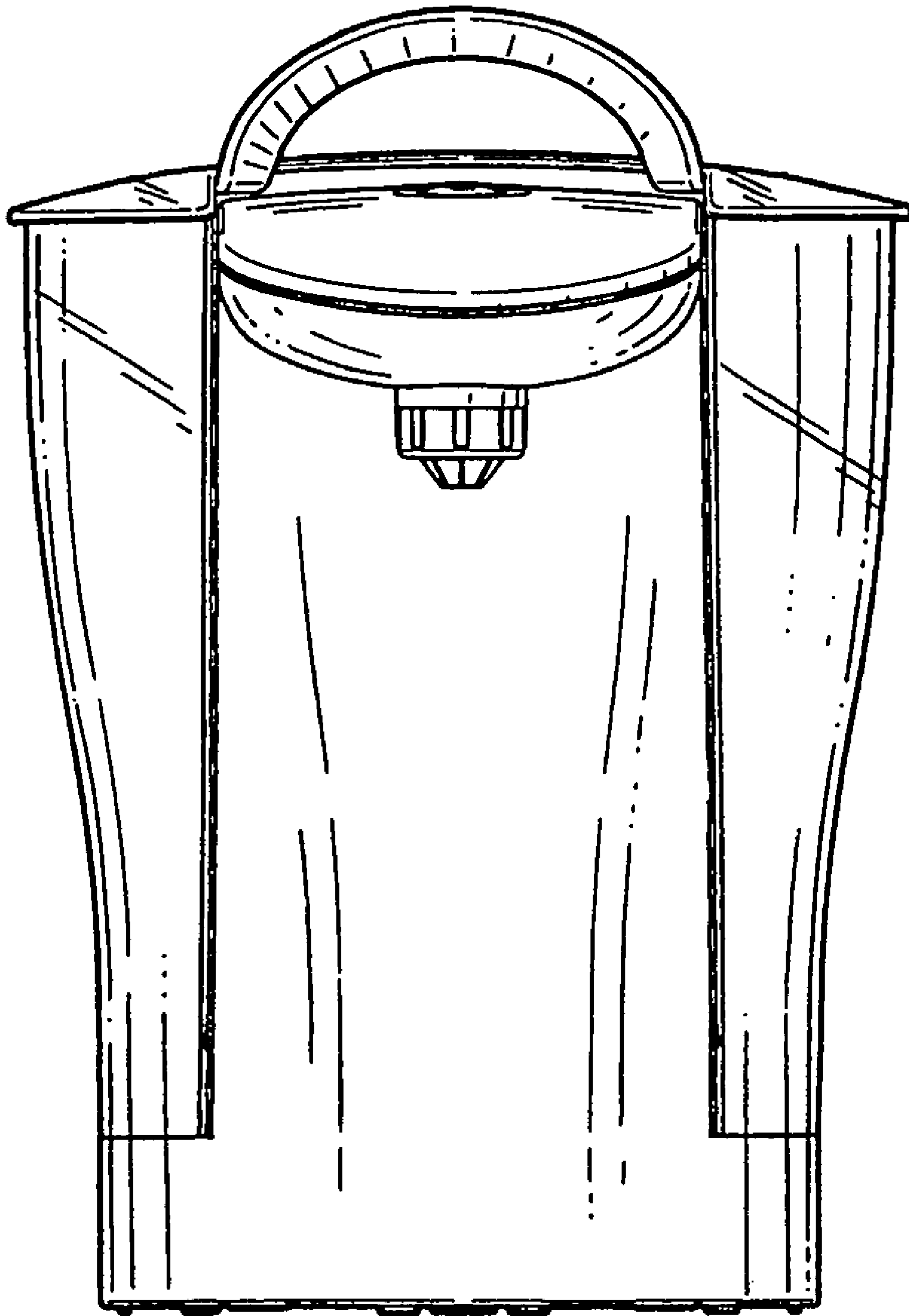


FIG. 2

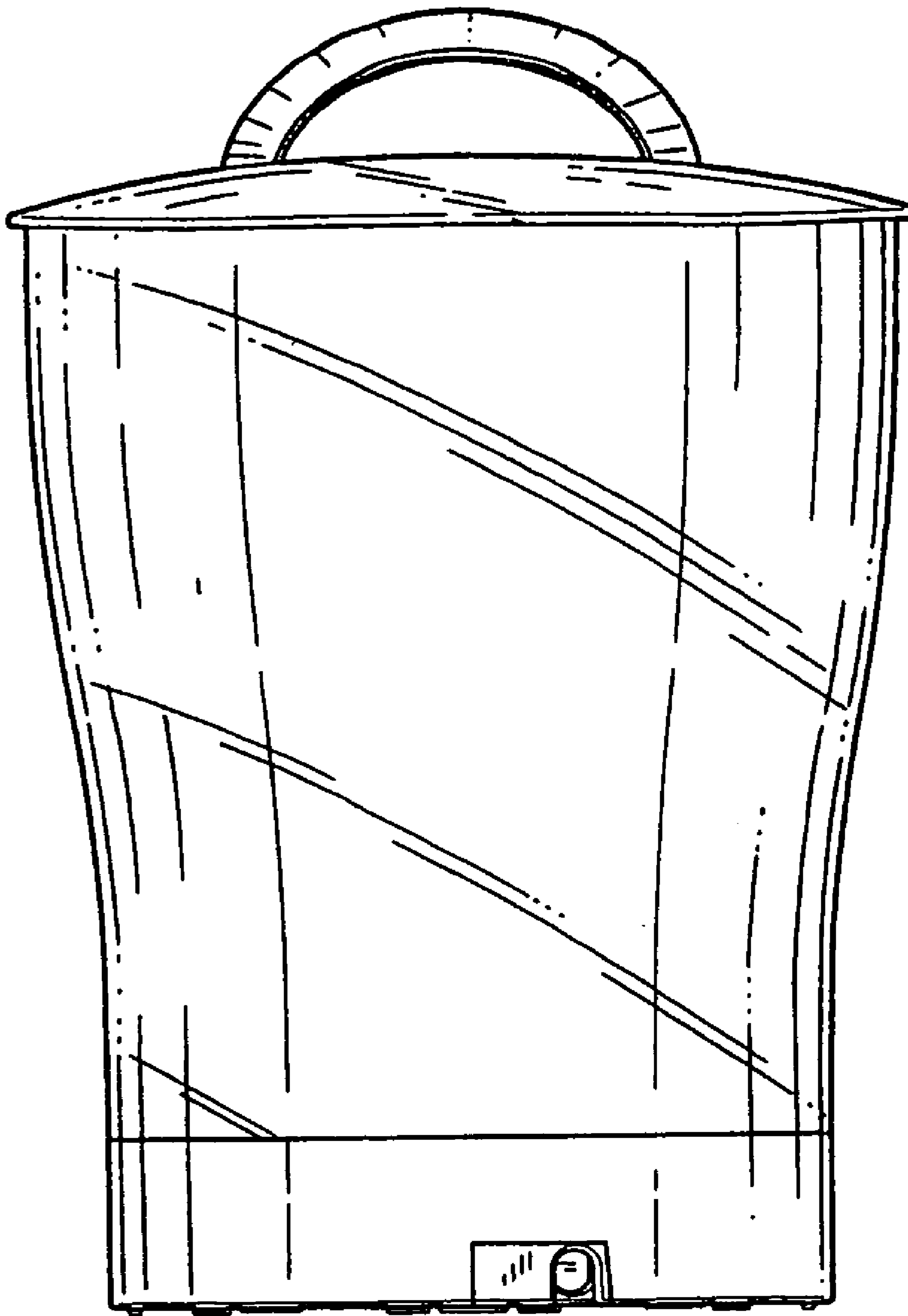


FIG. 3

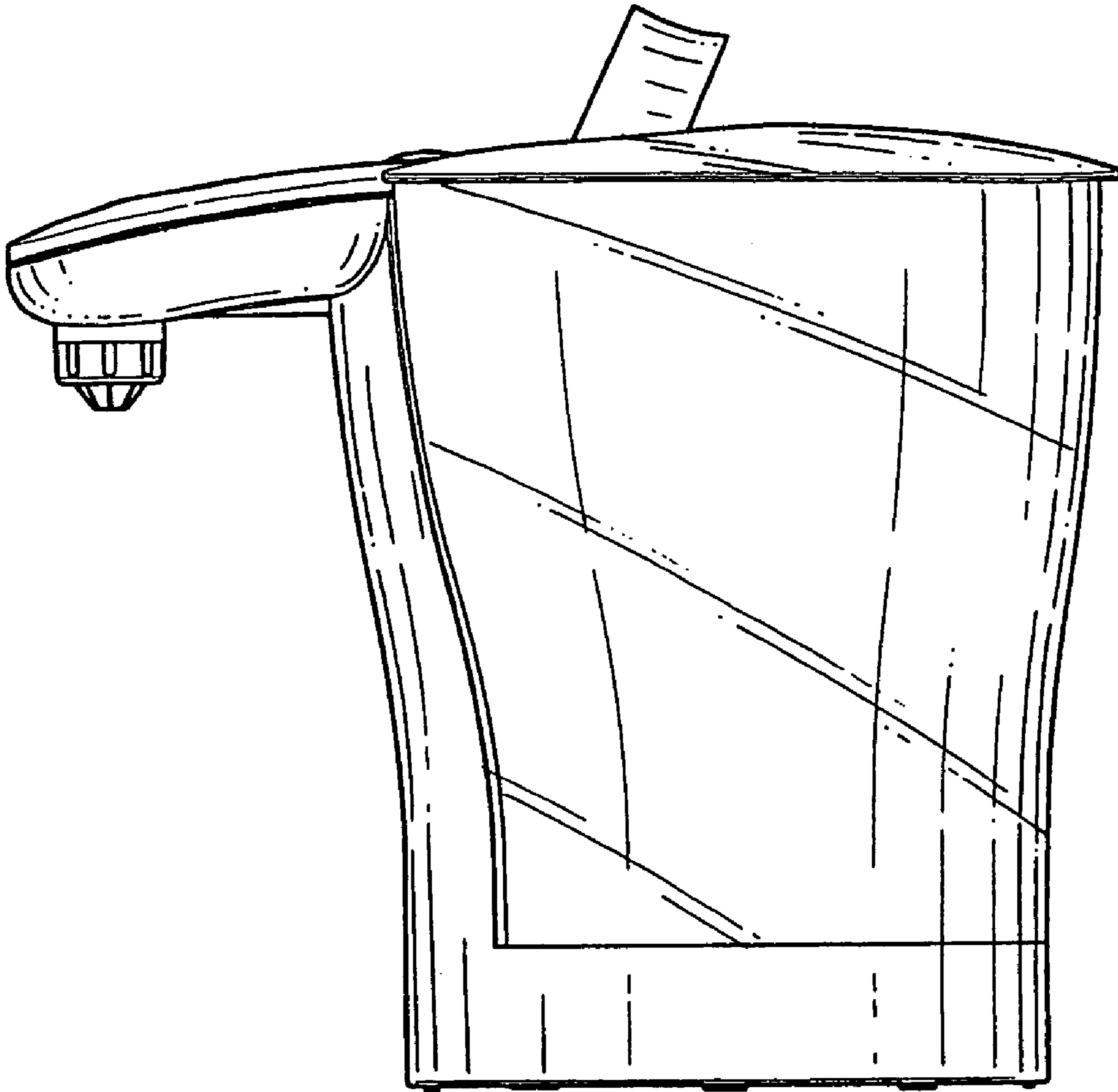


FIG. 4

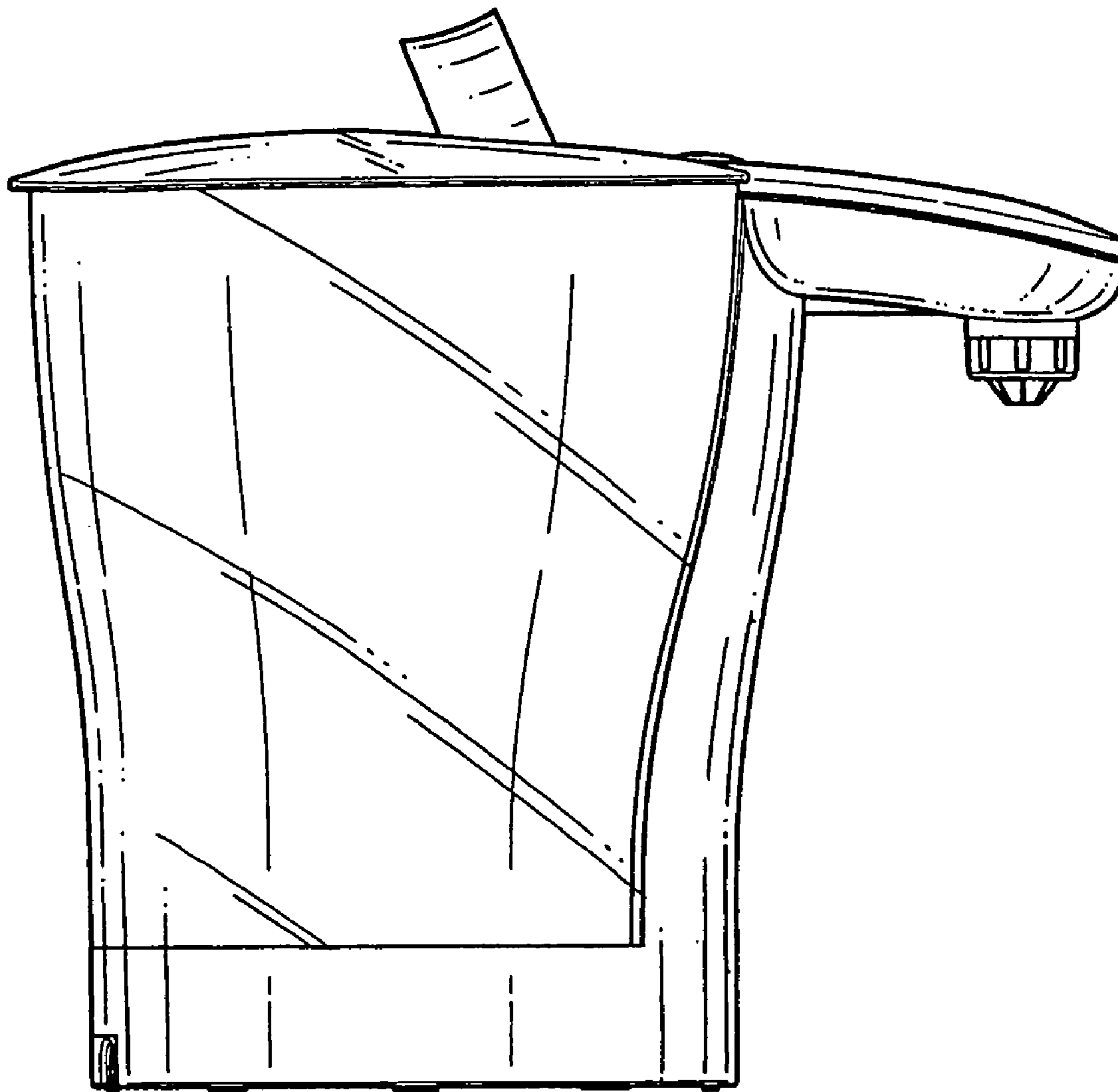


FIG. 5

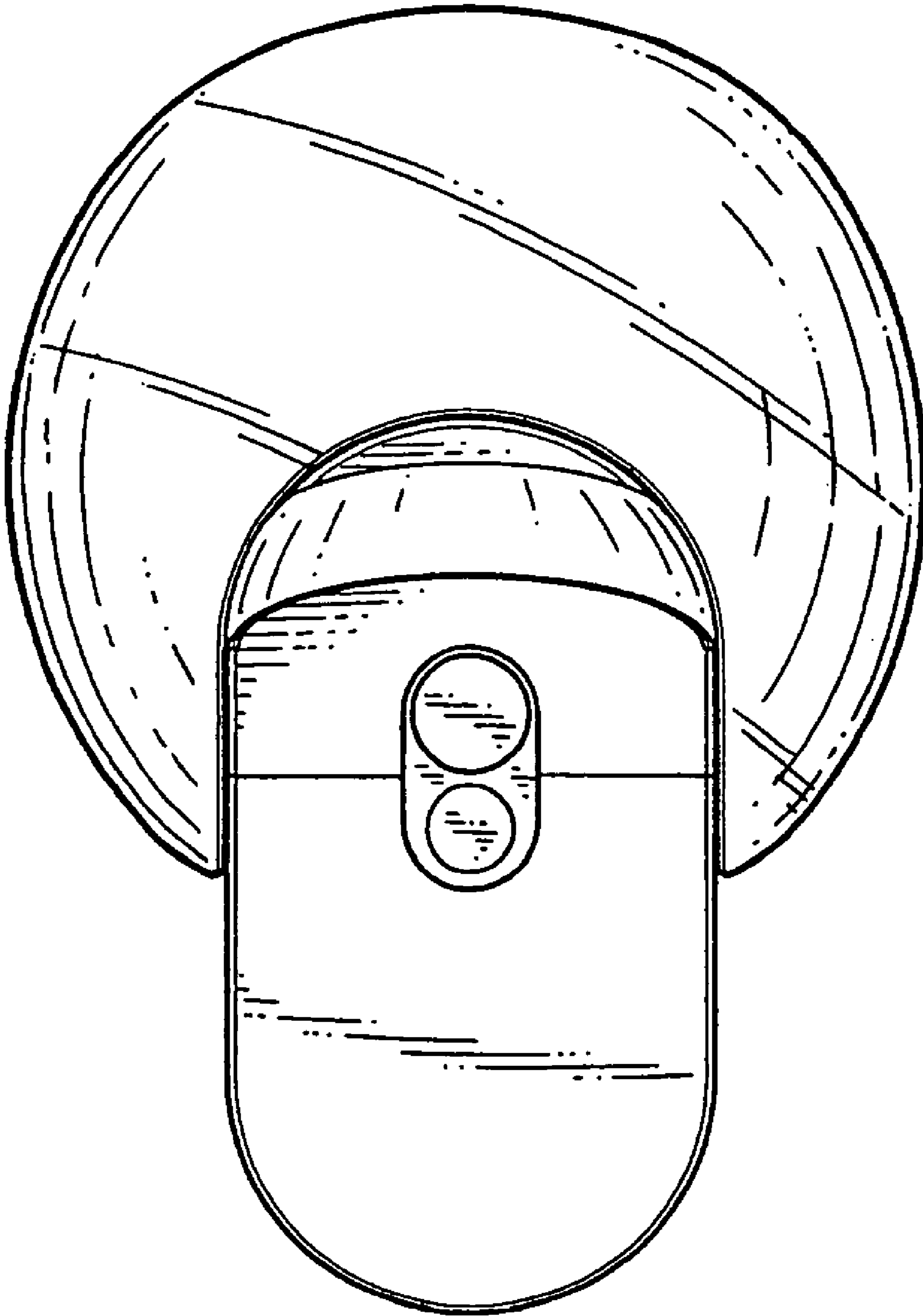


FIG. 6

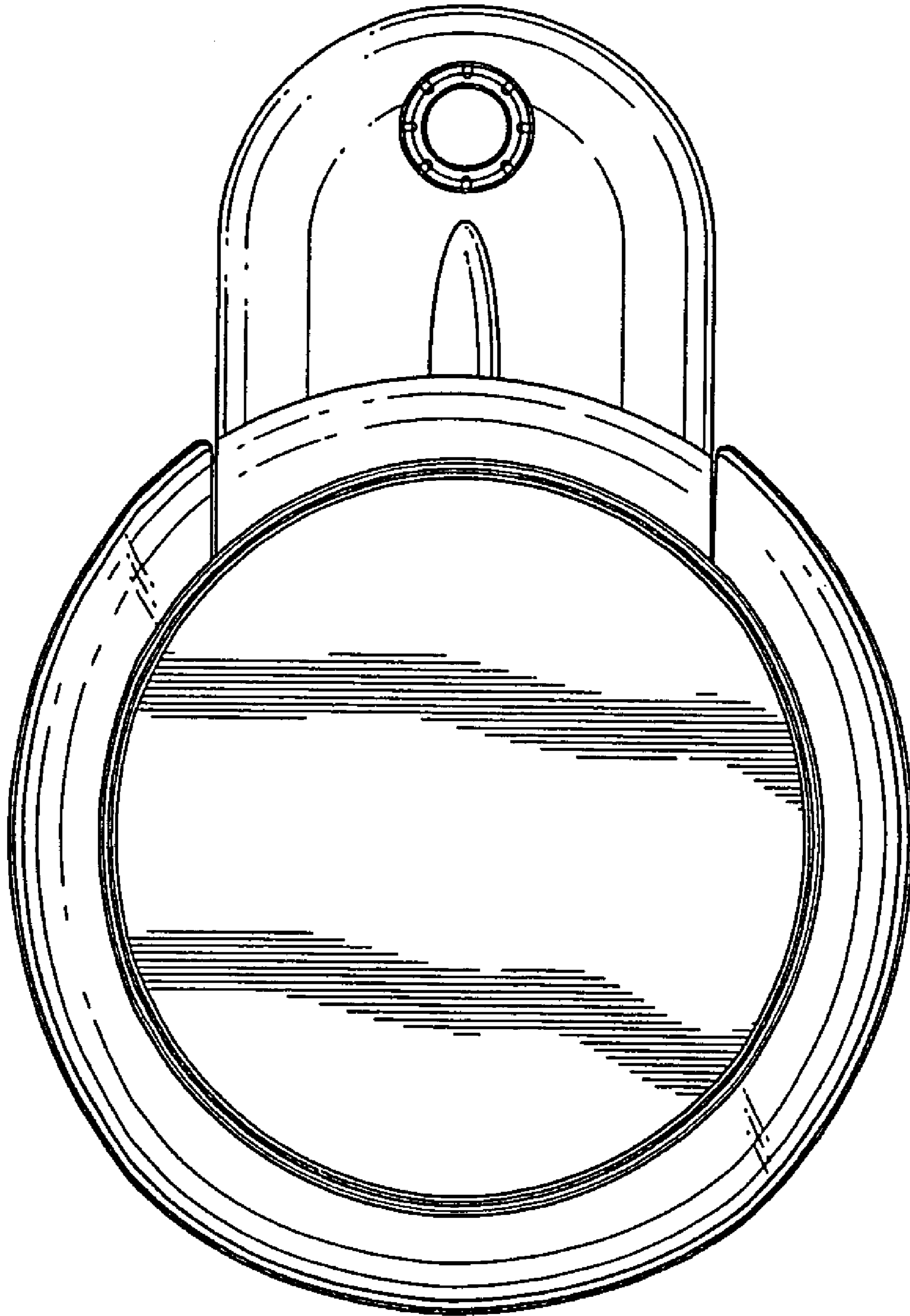


FIG. 7