



US00D556497S

(12) **United States Design Patent**
Harris et al.

(10) **Patent No.:** **US D556,497 S**

(45) **Date of Patent:** **** Dec. 4, 2007**

(54) **BEVERAGE BREWING MACHINE**

(75) Inventors: **Daryl Harris**, Irvine, CA (US); **Robert Curtis**, New York, NY (US)

(73) Assignee: **Mars, Incorporated**, McLean, VA (US)

(**) Term: **14 Years**

(21) Appl. No.: **29/268,428**

(22) Filed: **Nov. 7, 2006**

Related U.S. Application Data

(63) Continuation of application No. 29/256,023, filed on Mar. 16, 2006.

(51) **LOC (8) Cl.** **07-01**

(52) **U.S. Cl.** **D7/309; D7/306; D7/311**

(58) **Field of Classification Search** **D7/309-311, D7/306-308; D20/4, 8; 99/279, 300, 304, 99/305, 293, 281, 280; 219/432; 222/129.1-129.4**
See application file for complete search history.

(56) **References Cited**

U.S. PATENT DOCUMENTS

| | | | | | | |
|-----------|---|---|---------|------------------|-------|--------|
| 4,742,767 | A | * | 5/1988 | Komatsu et al. | | 99/280 |
| D369,268 | S | * | 4/1996 | Assmann et al. | | D7/309 |
| D402,153 | S | * | 12/1998 | Saltet | | D7/309 |
| D404,604 | S | * | 1/1999 | Pochopien et al. | | D7/309 |
| D414,647 | S | * | 10/1999 | Driscoll et al. | | D7/309 |
| D444,985 | S | * | 7/2001 | Wu | | D7/309 |
| D445,627 | S | * | 7/2001 | Naft et al. | | D7/309 |
| D447,903 | S | * | 9/2001 | Lin | | D7/309 |
| D475,567 | S | * | 6/2003 | Hsu | | D7/309 |

| | | | | | | |
|----------|---|---|---------|---------------|-------|--------|
| D479,087 | S | * | 9/2003 | Yao | | 7/309 |
| D479,088 | S | * | 9/2003 | Yao | | D7/309 |
| D479,939 | S | * | 9/2003 | Au | | D7/309 |
| D488,021 | S | * | 4/2004 | Price et al. | | D7/309 |
| D501,352 | S | * | 2/2005 | Lin | | D7/309 |
| D529,751 | S | * | 10/2006 | Sumser et al. | | D7/309 |
| D530,139 | S | * | 10/2006 | Lin | | D7/309 |

OTHER PUBLICATIONS

U.S. Appl. No. 29/256,024, Daryl Harris et al.

* cited by examiner

Primary Examiner—M. N. Pandozzi

(74) *Attorney, Agent, or Firm*—Arent Fox LLC

(57) **CLAIM**

The ornamental design for a beverage brewing machine, as shown and described.

DESCRIPTION

FIG. 1 is a perspective view of the top, front side and left side view of a beverage brewing machine showing our new design;

FIG. 2 is a left side elevation view thereof;

FIG. 3 is a back side elevation view thereof;

FIG. 4 is a right side elevation view thereof;

FIG. 5 is a front side elevation view thereof; and,

FIG. 6 is a top plan view thereof.

The bottom view of the beverage brewing machine forms no part of the claimed design.

1 Claim, 6 Drawing Sheets

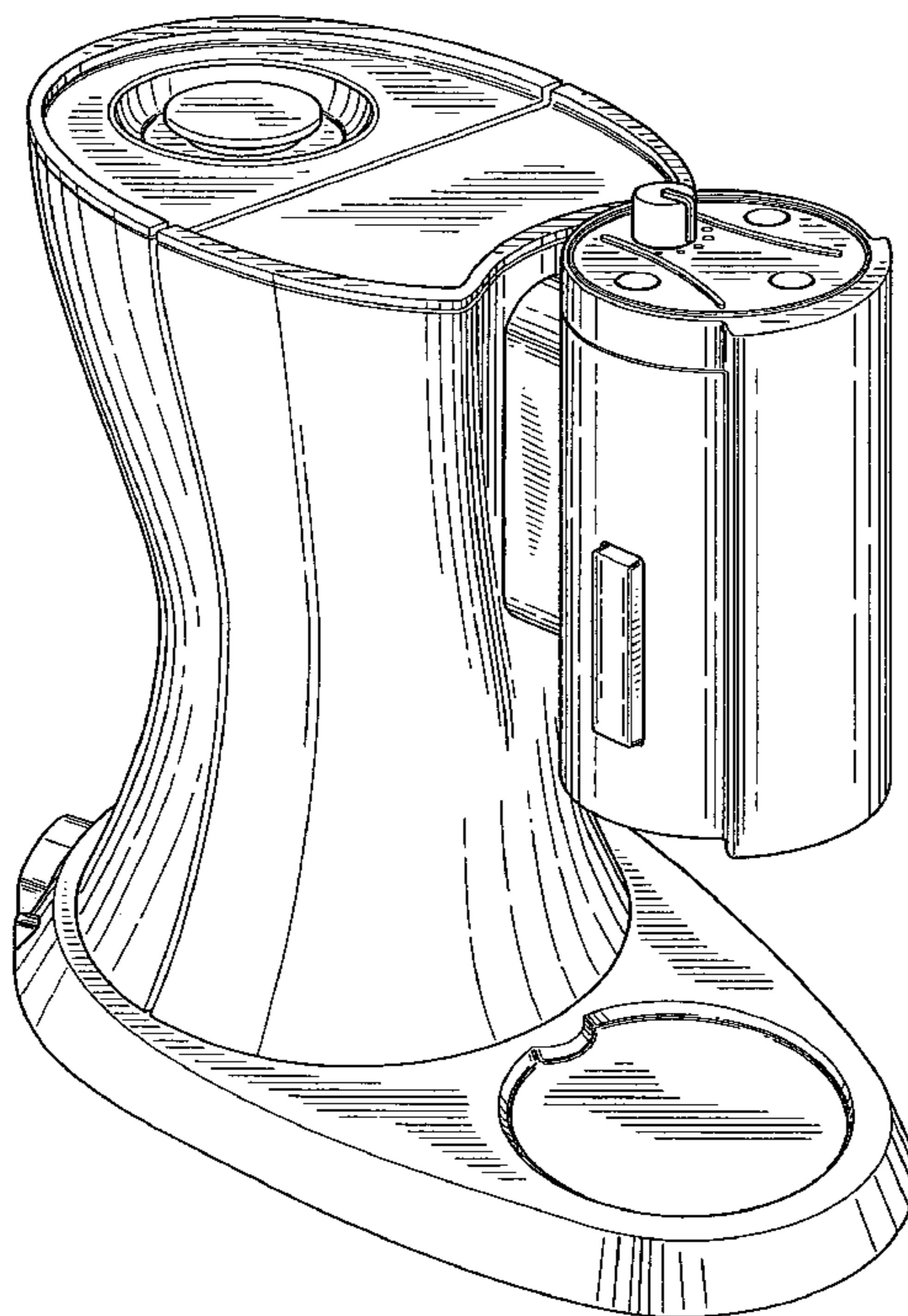
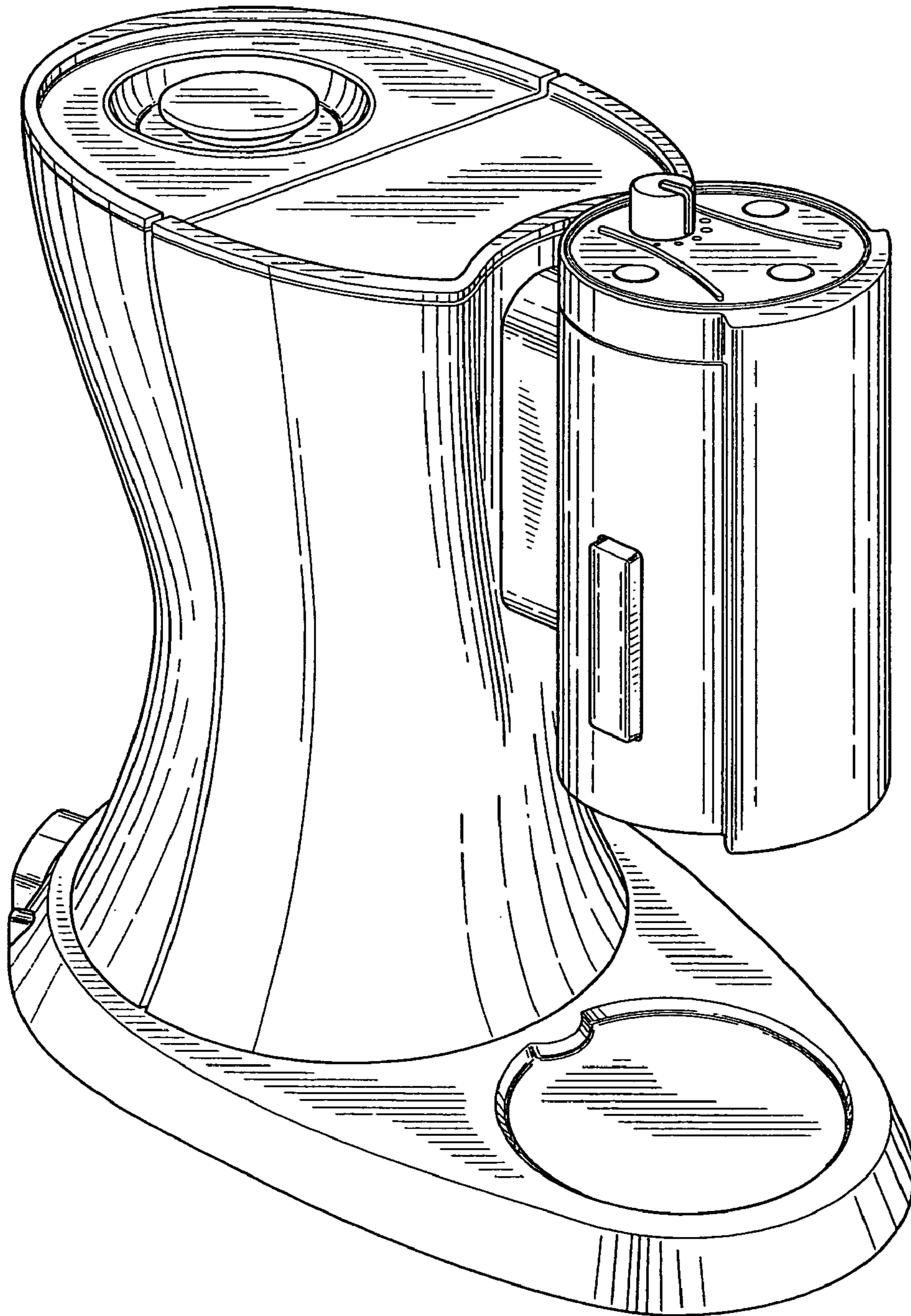


FIG. 1



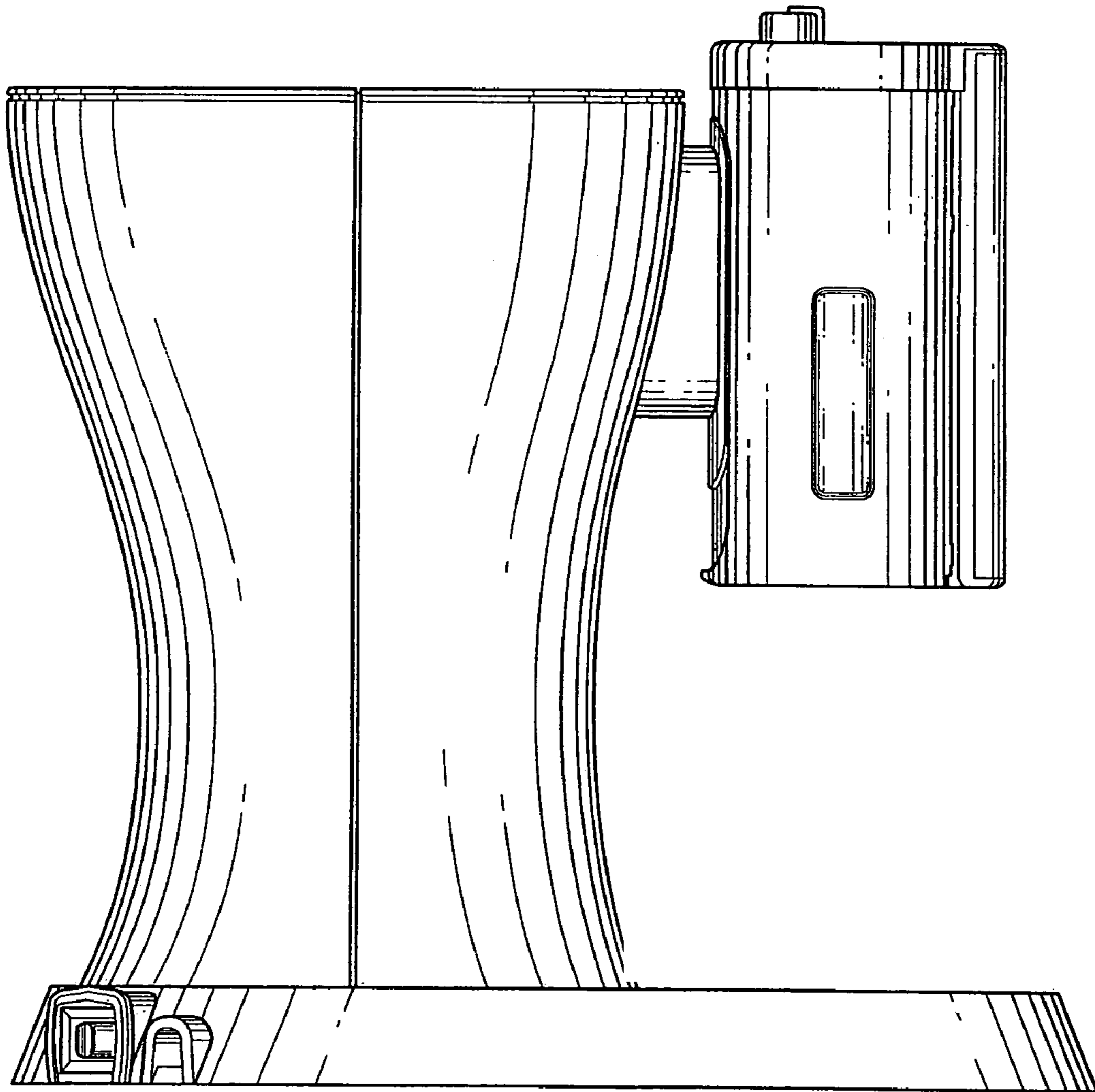


FIG. 2

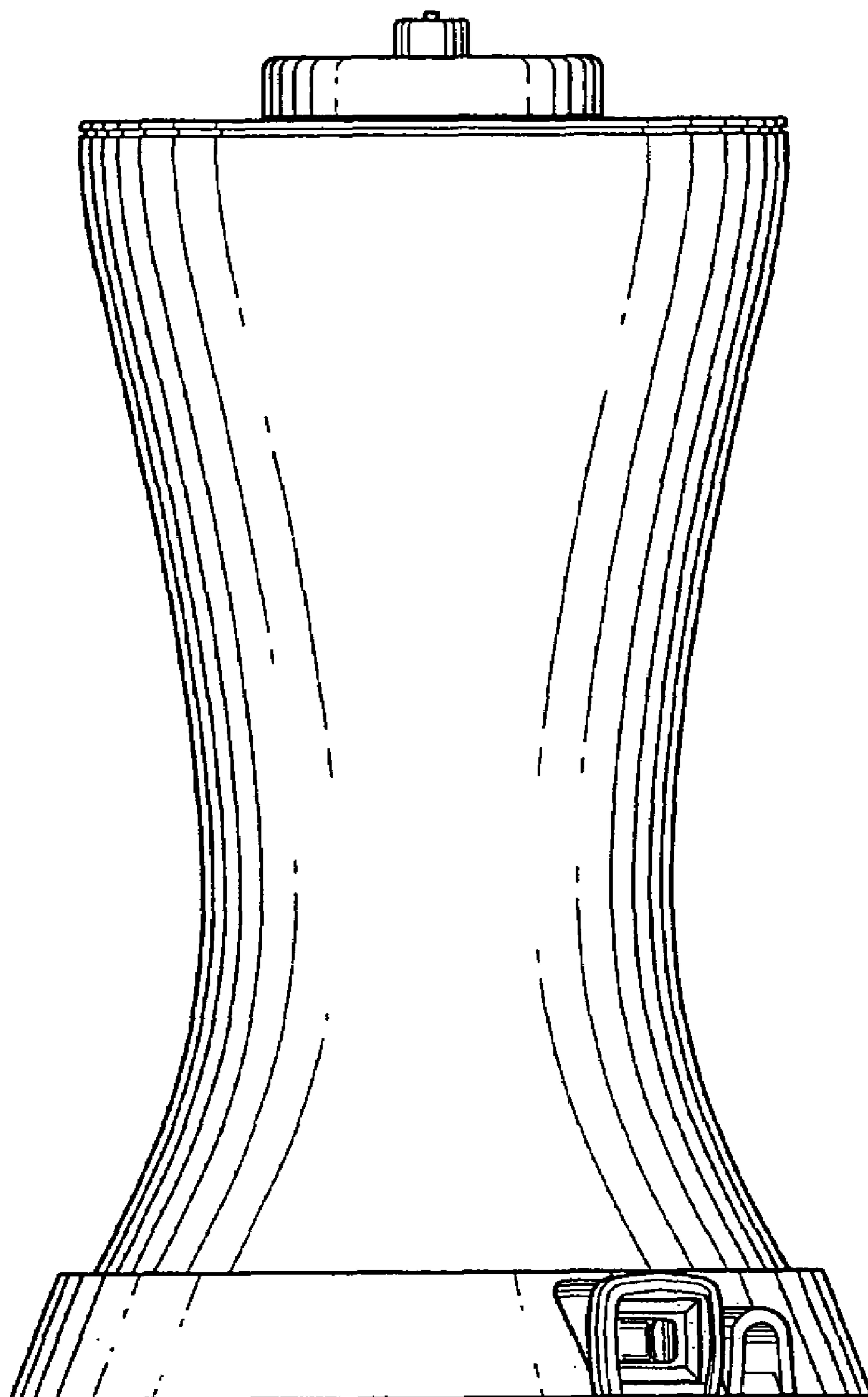


FIG. 3

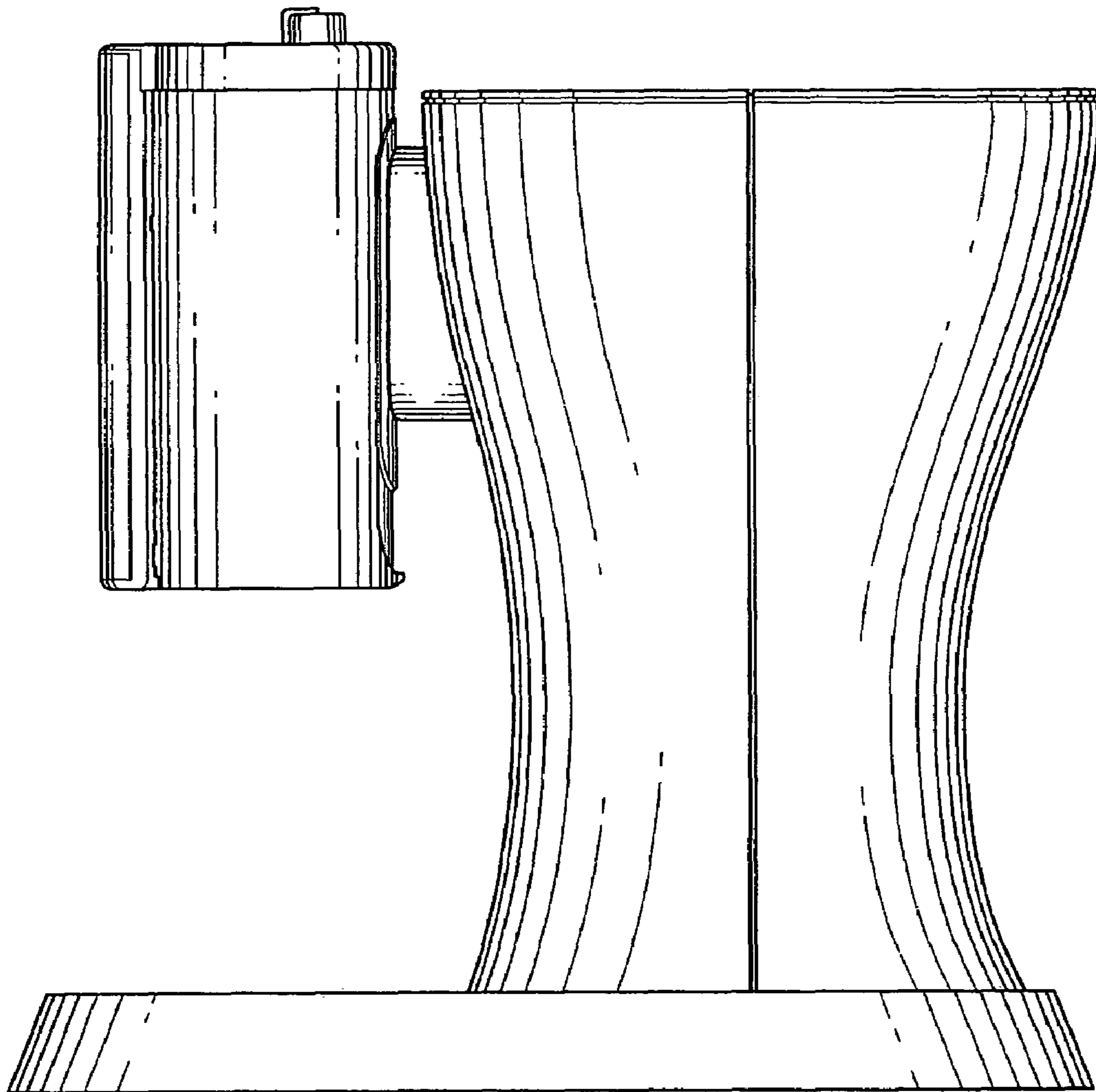


FIG. 4

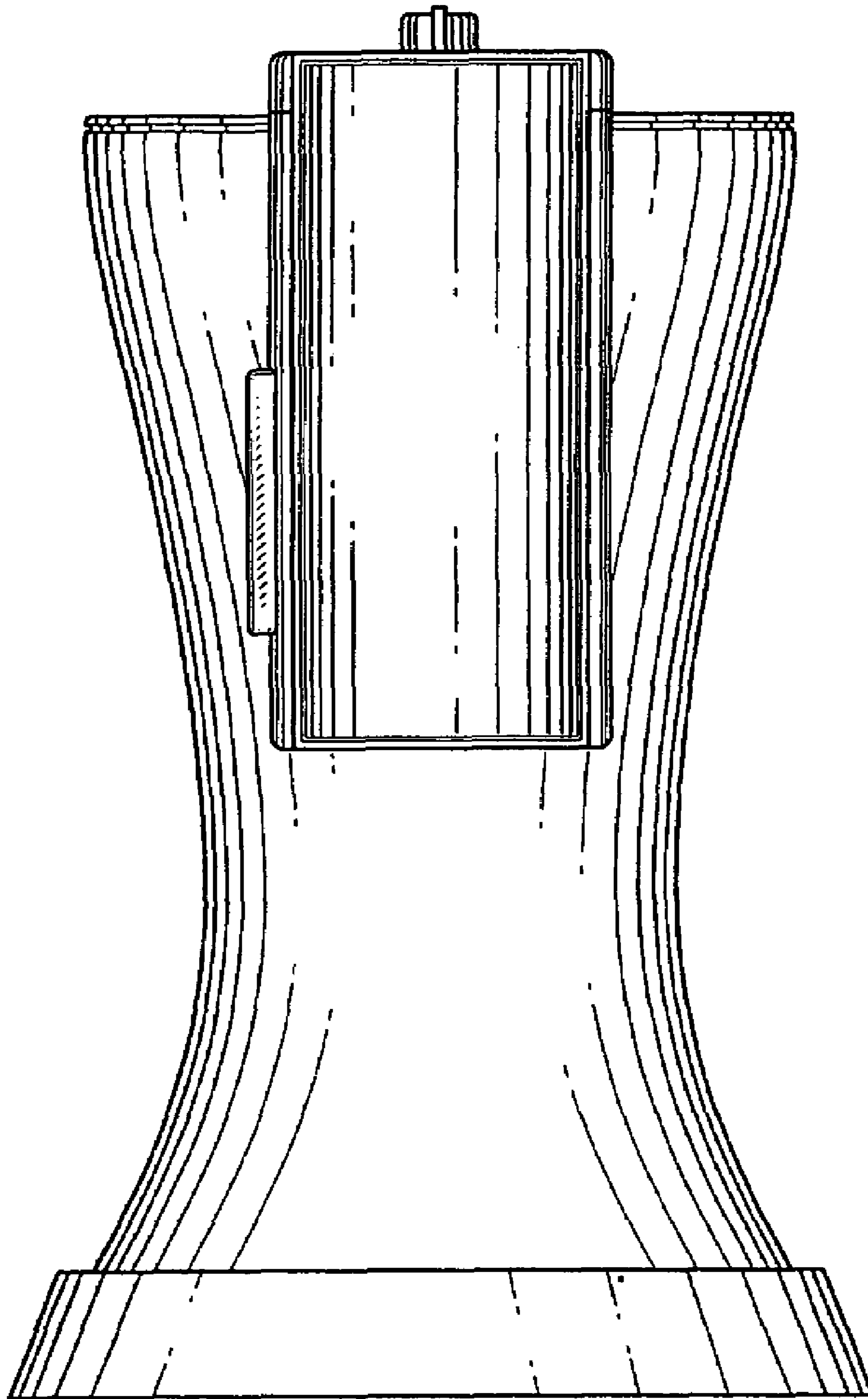


FIG. 5

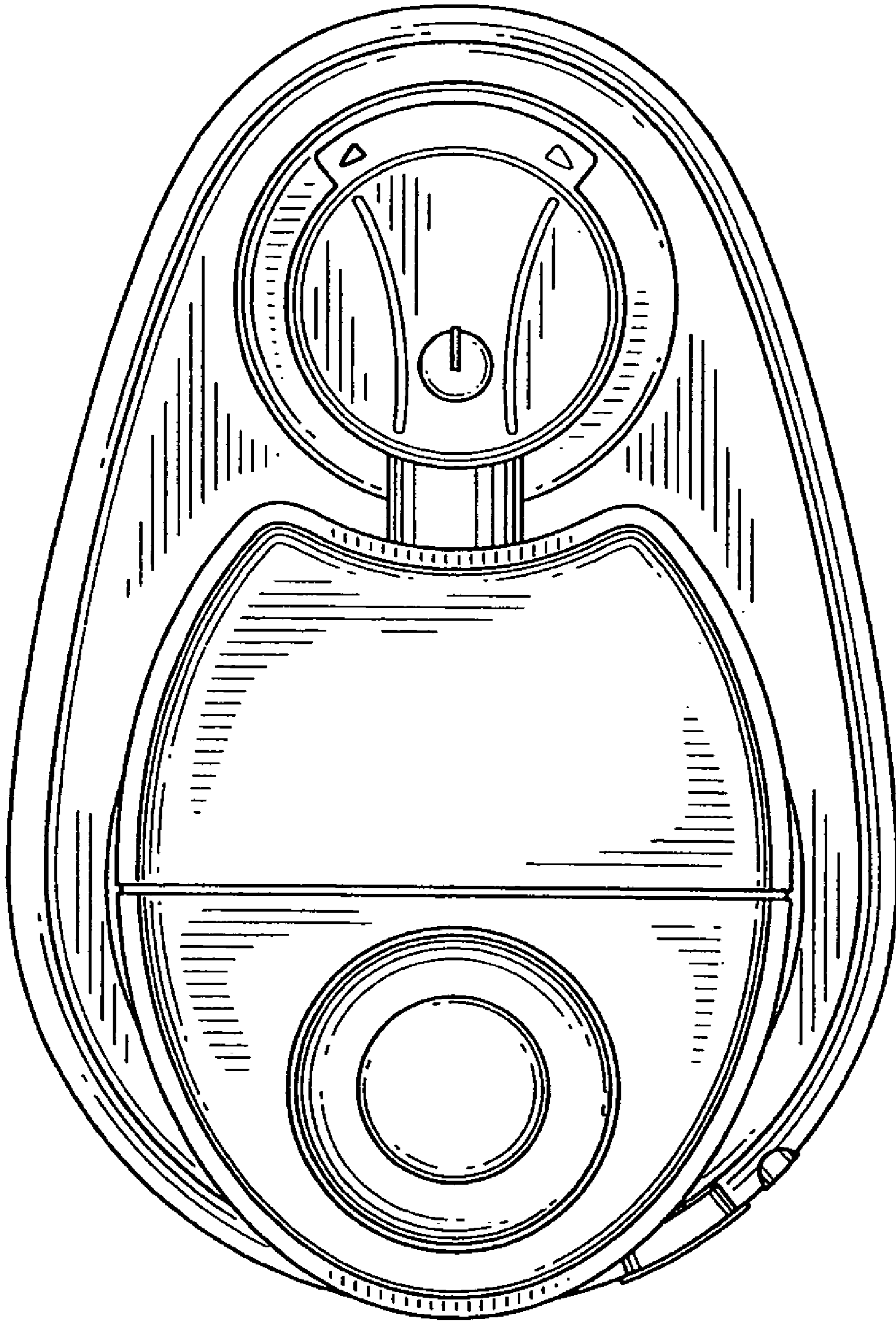


FIG. 6