



US00D556496S

(12) **United States Design Patent**
Fung

(10) **Patent No.:** **US D556,496 S**

(45) **Date of Patent:** **** Dec. 4, 2007**

(54) **COFFEE MAKER**

D543,771 S * 6/2007 Julemont D7/309

(75) Inventor: **Kam Fai Fung**, Tuen Mun (CN)

* cited by examiner

(73) Assignee: **Conair Corporation**, Stamford, CT
(US)

Primary Examiner—M. N. Pandozzi

(74) *Attorney, Agent, or Firm*—Lawrence Cruz

(**) Term: **14 Years**

(57) **CLAIM**

(21) Appl. No.: **29/254,497**

The ornamental design for a coffee maker, as shown and described.

(22) Filed: **Feb. 24, 2006**

DESCRIPTION

(51) **LOC (8) Cl.** **07-01**

FIG. 1 is a front perspective view of a coffee maker showing my new design;

(52) **U.S. Cl.** **D7/309; D7/307; D7/308; D7/311**

FIG. 2 is a rear perspective view thereof;

(58) **Field of Classification Search** D7/306–311,
D7/300; 99/293, 299, 323.1, 281, 290
See application file for complete search history.

FIG. 3 is a front view thereof;

FIG. 4 is a right side view thereof;

FIG. 5 is a rear view thereof;

(56) **References Cited**

FIG. 6 is a top view thereof; and,

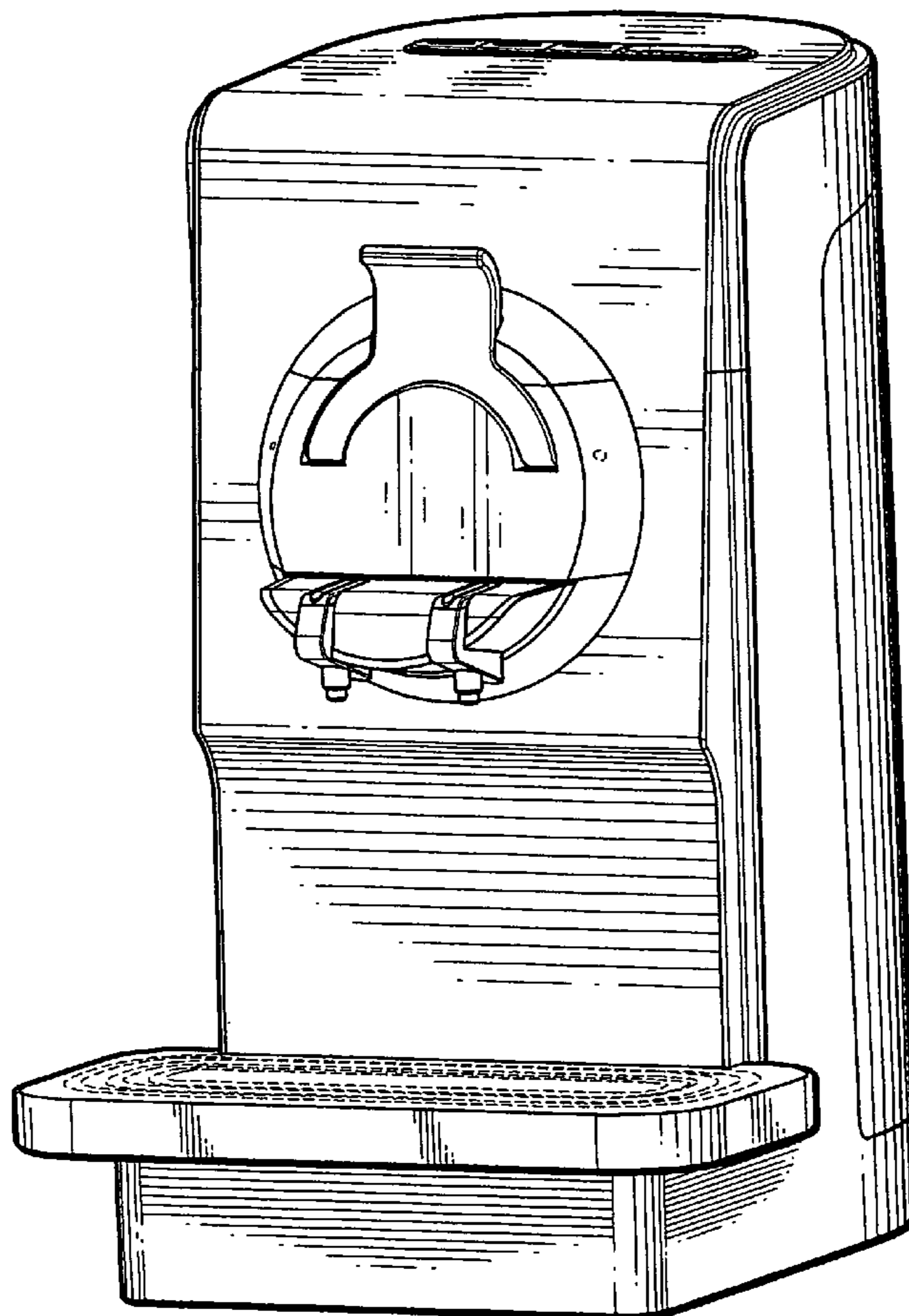
FIG. 7 is a bottom view.

U.S. PATENT DOCUMENTS

The broken lines are shown for illustrative purposes only and form no part of the claimed design.

D495,190 S *	8/2004	Picozza et al.	D7/309
D510,675 S *	10/2005	Ball	D7/306
D540,101 S *	4/2007	Cahen	D7/309
D540,608 S *	4/2007	Cahen	D7/309

1 Claim, 7 Drawing Sheets



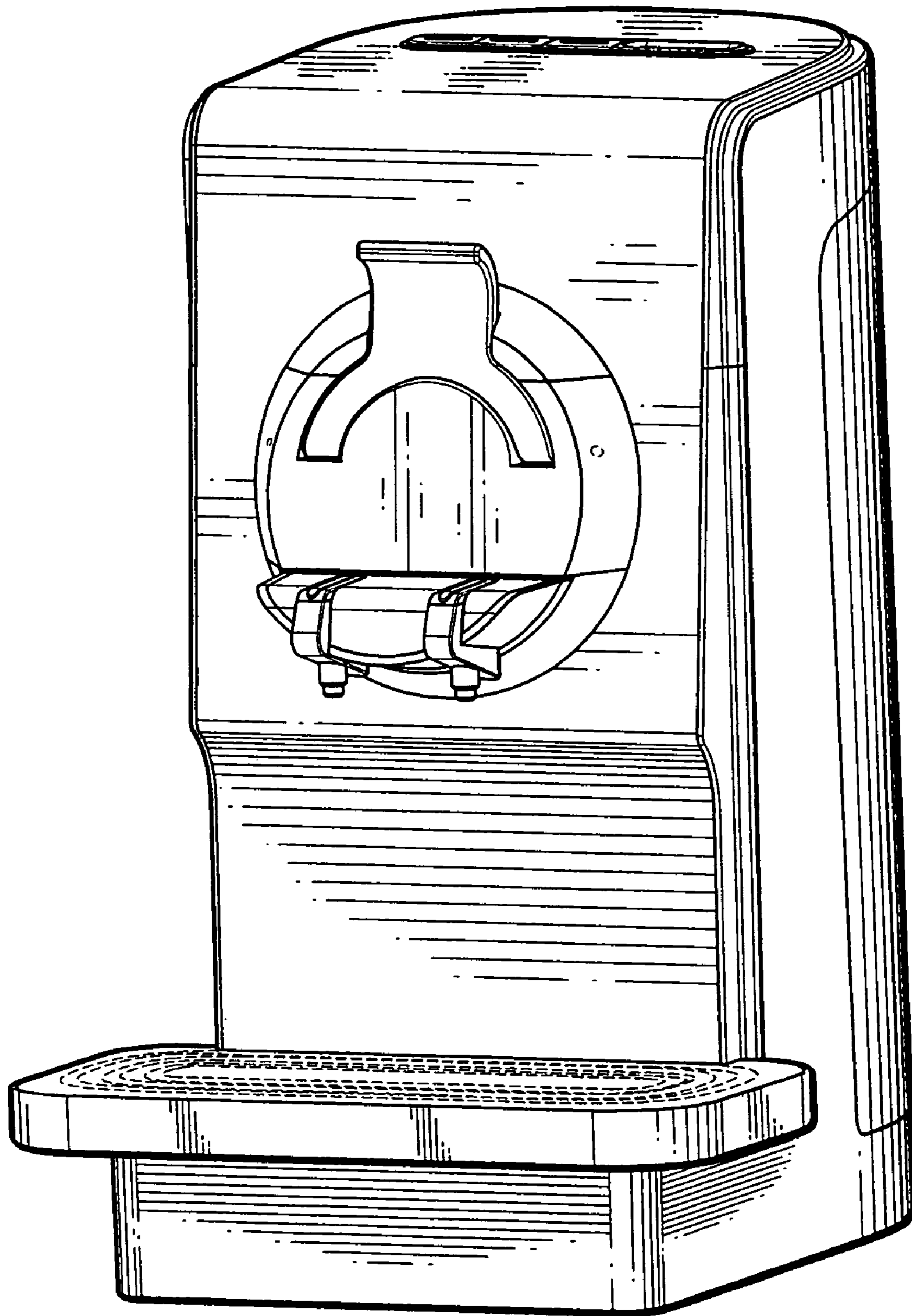


FIG. 1

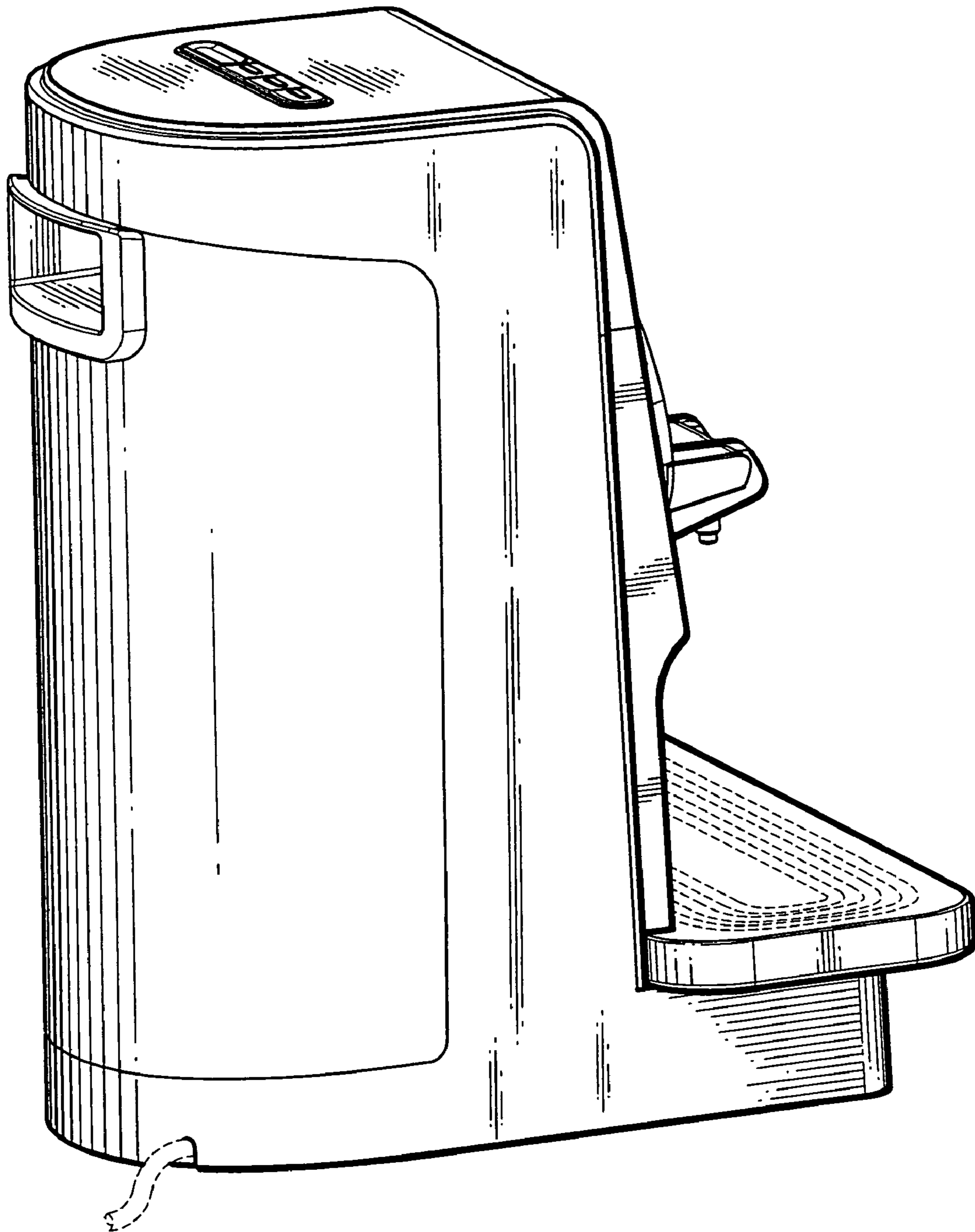


FIG. 2

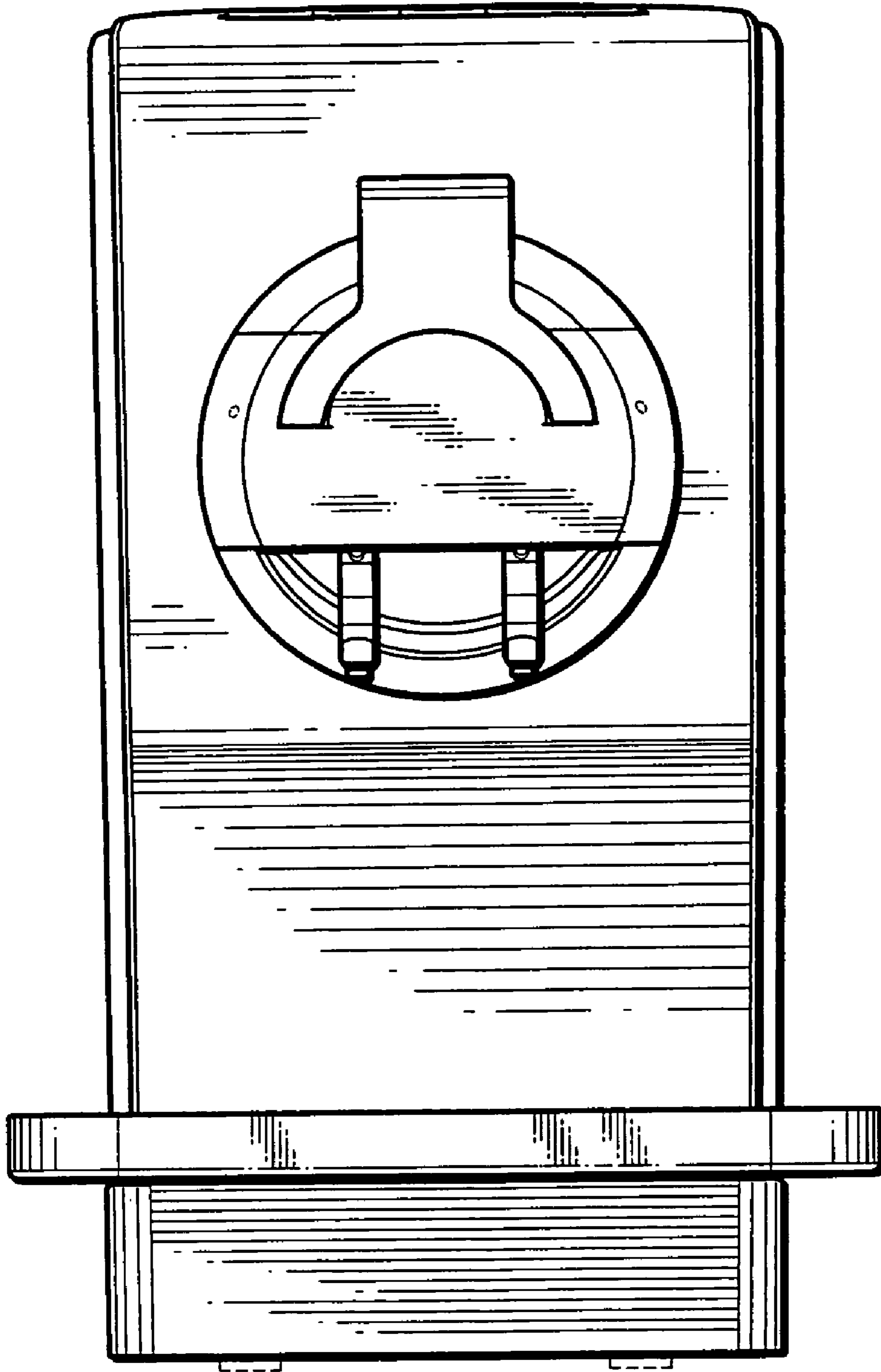


FIG. 3

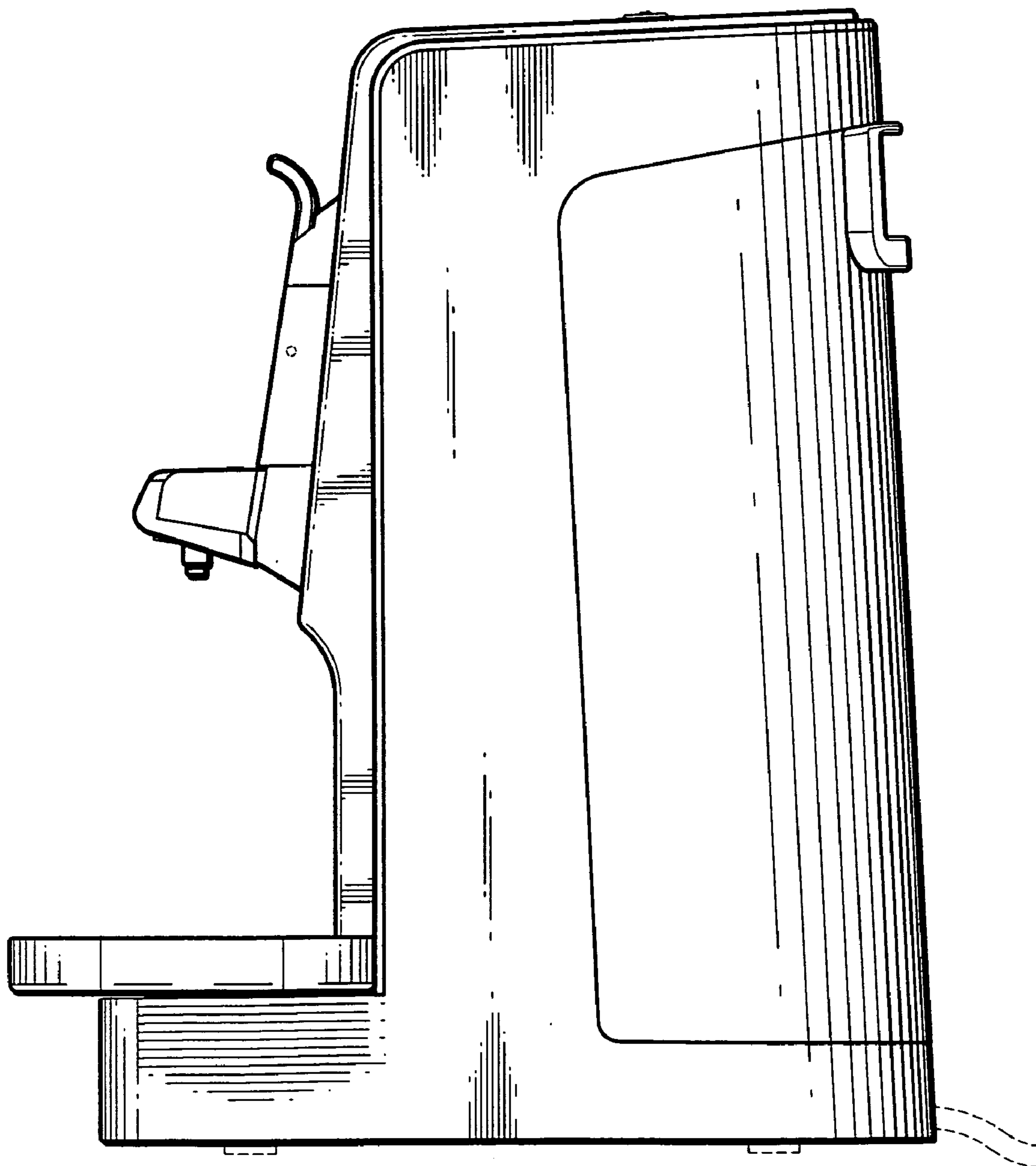


FIG. 4

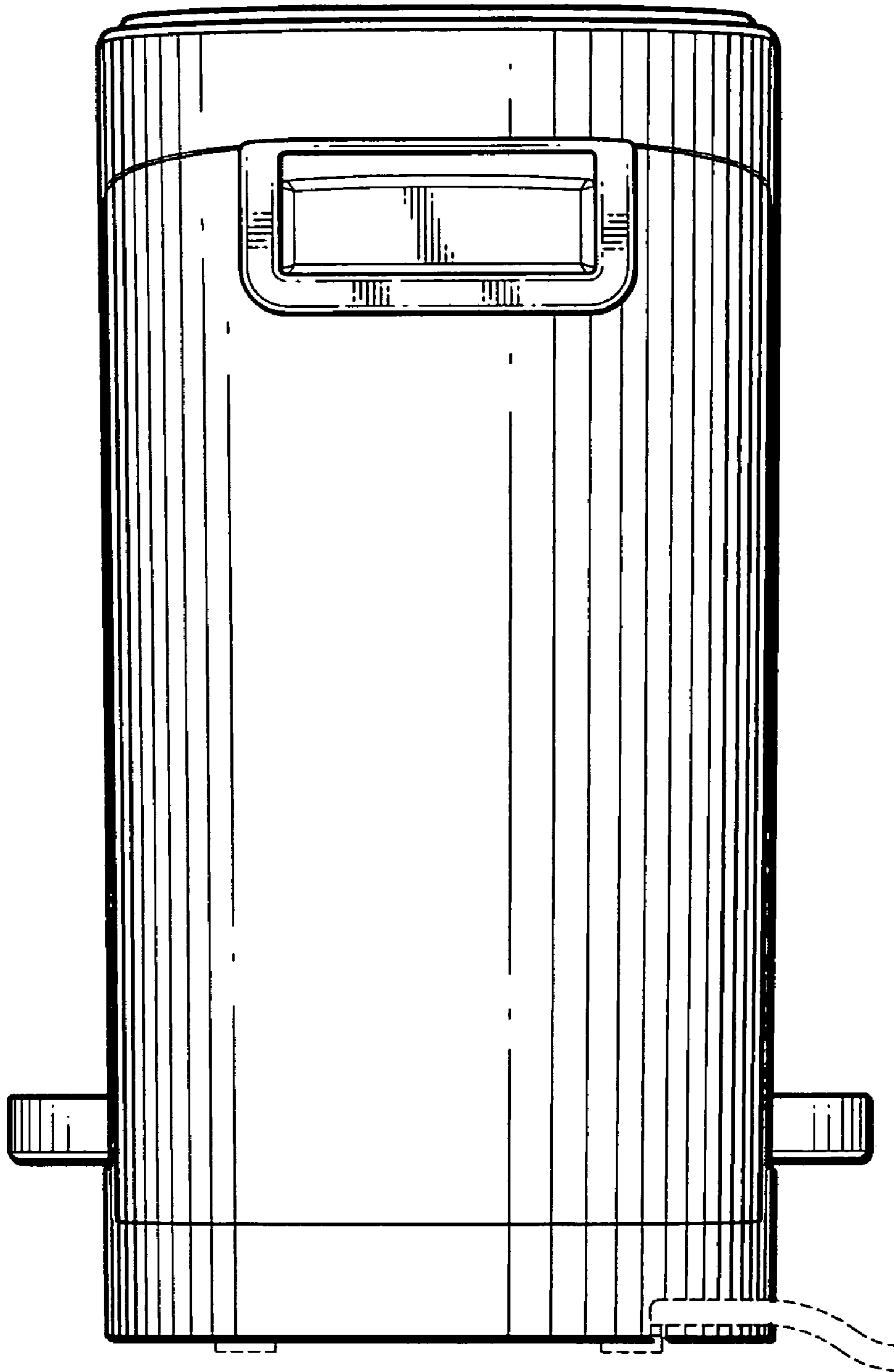


FIG. 5

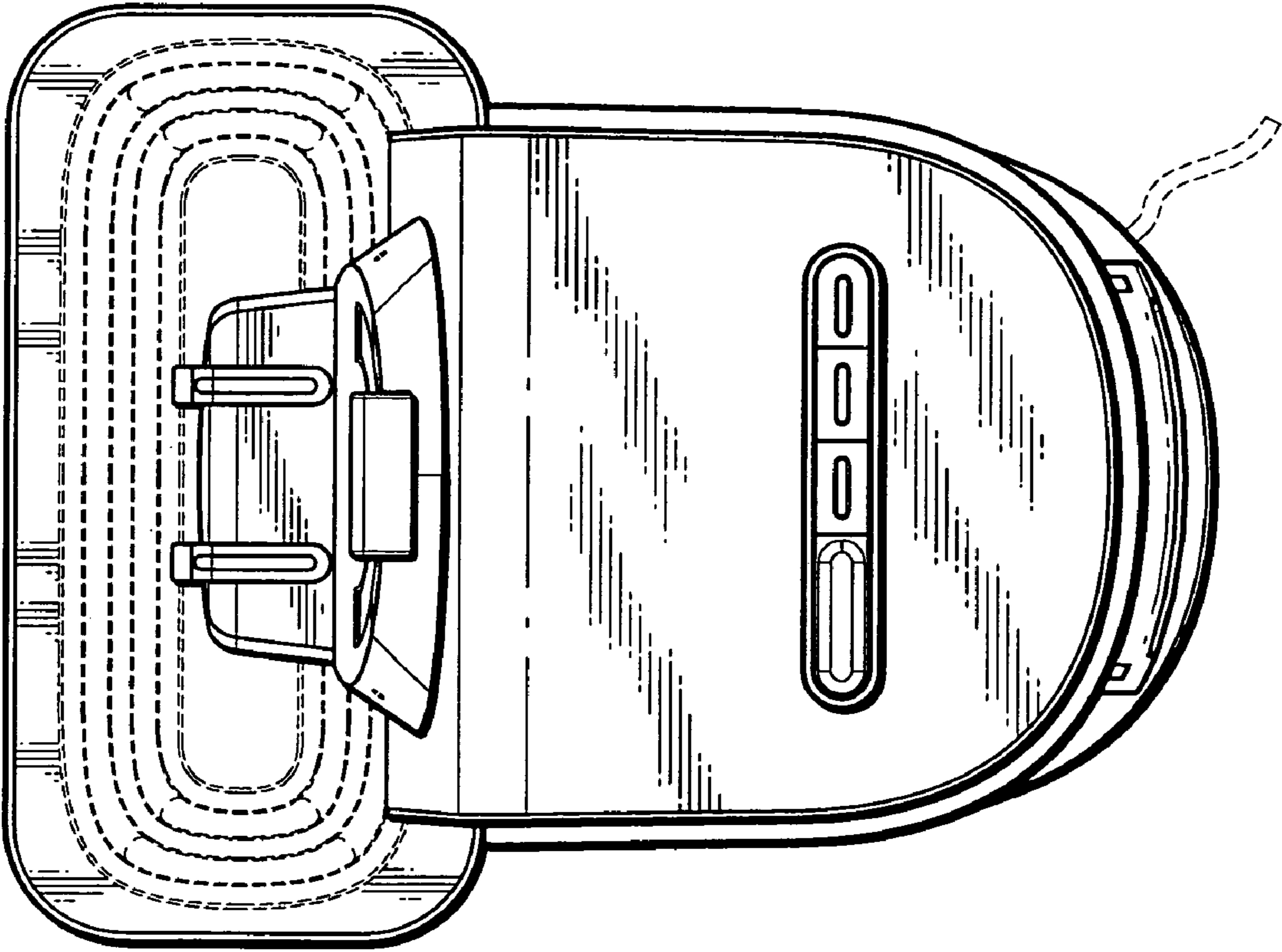


FIG. 6

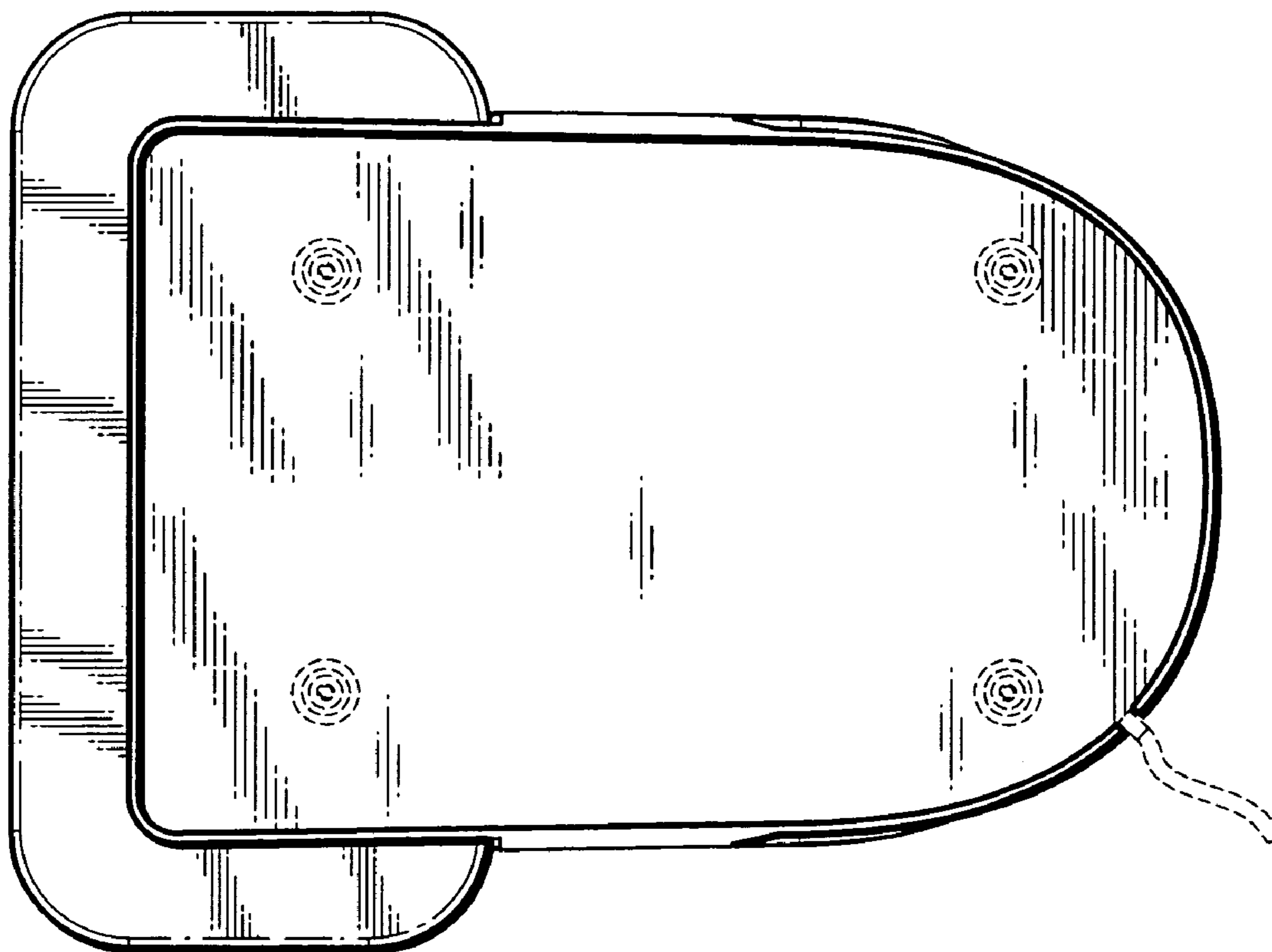


FIG. 7