



US00D556495S

(12) **United States Design Patent**
Davenport

(10) **Patent No.:** **US D556,495 S**

(45) **Date of Patent:** **** Dec. 4, 2007**

(54) **COFFEE MAKER**

(75) Inventor: **David Davenport**, Leichhardt (AU)

(73) Assignee: **Breville Pty Limited**, Botany, New South Wales (AU)

(**) Term: **14 Years**

(21) Appl. No.: **29/218,849**

(22) Filed: **Dec. 9, 2004**

(51) **LOC (8) Cl.** **07-01**

(52) **U.S. Cl.** **D7/309; D7/311**

(58) **Field of Classification Search** D7/309-311,
D7/300, 306; D20/4; 222/82; 99/295, 304,
99/293, 280

See application file for complete search history.

D431,748 S	*	10/2000	Cahen	D7/309
D431,749 S	*	10/2000	Cahen	D7/309
D431,750 S	*	10/2000	Cahen	D7/309
D431,751 S	*	10/2000	Cahen	D7/309
D441,593 S	*	5/2001	Gudefin	D7/309
D449,198 S	*	10/2001	Cahen	D7/309
D449,199 S	*	10/2001	Cahen	D7/309
D449,488 S	*	10/2001	Cahen	D7/309
D477,963 S	*	8/2003	Cahen	D7/309
D486,346 S	*	2/2004	Jonsson	D7/309
D510,675 S	*	10/2005	Ball	D7/306

* cited by examiner

Primary Examiner—M. N. Pandozzi

(74) *Attorney, Agent, or Firm*—Molins & Co.

(57) **CLAIM**

The ornamental design for a coffee maker, as shown and described.

DESCRIPTION

FIG. 1 is a front elevation view of a coffee maker showing my new design;

FIG. 2 is a right side elevation view thereof;

FIG. 3 is a rear elevation view thereof;

FIG. 4 is a left side elevation view thereof;

FIG. 5 is a top view thereof;

FIG. 6 is a bottom view thereof;

FIG. 7 is a front perspective thereof; and,

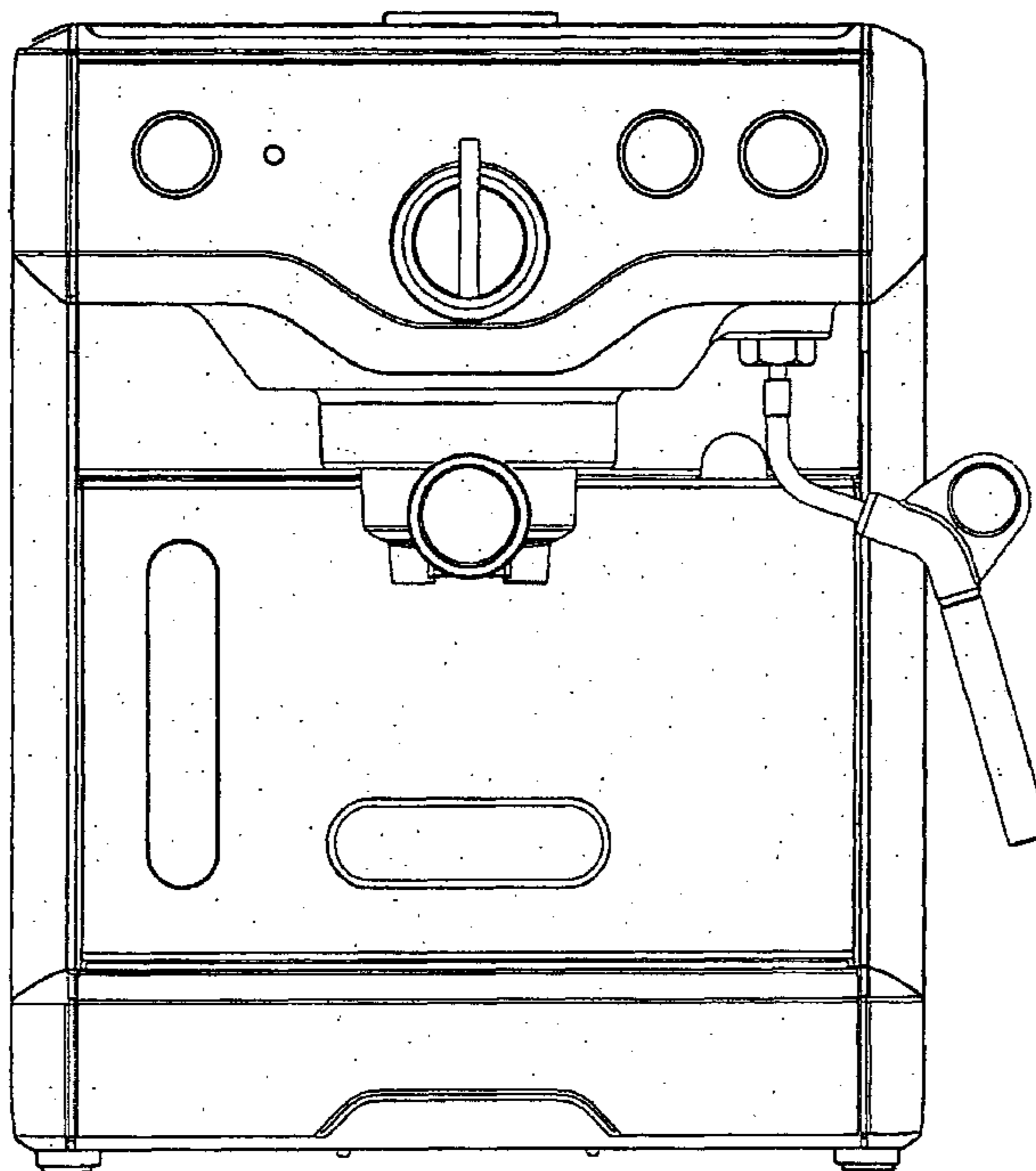
FIG. 8 is a rear perspective thereof.

1 Claim, 7 Drawing Sheets

(56) **References Cited**

U.S. PATENT DOCUMENTS

D323,949 S	*	2/1992	Kahlcke	D7/309
D324,621 S	*	3/1992	Haslacher	D7/309
D326,386 S	*	5/1992	Rakocy et al.	D7/309
D336,206 S	*	6/1993	Littmann	D7/309
D339,499 S	*	9/1993	Seiffert	D7/309
D342,860 S	*	1/1994	Azpiri	D7/309
D344,206 S	*	2/1994	Azpiri	D7/309
D354,193 S	*	1/1995	Storsberg	D7/309
D364,306 S	*	11/1995	Storsberg	D7/309
D395,976 S	*	7/1998	Seiffert et al.	D7/309



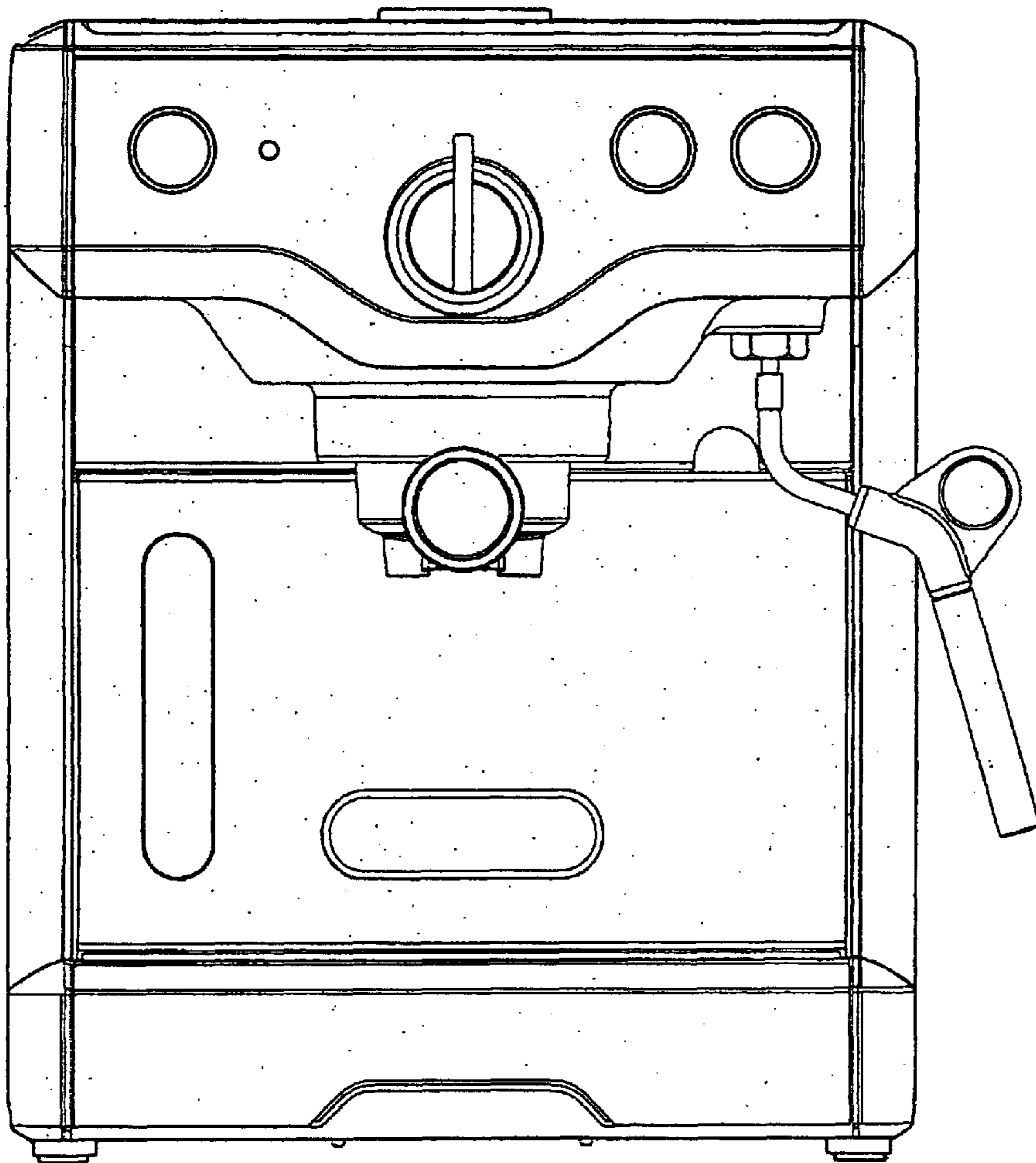


FIGURE 1

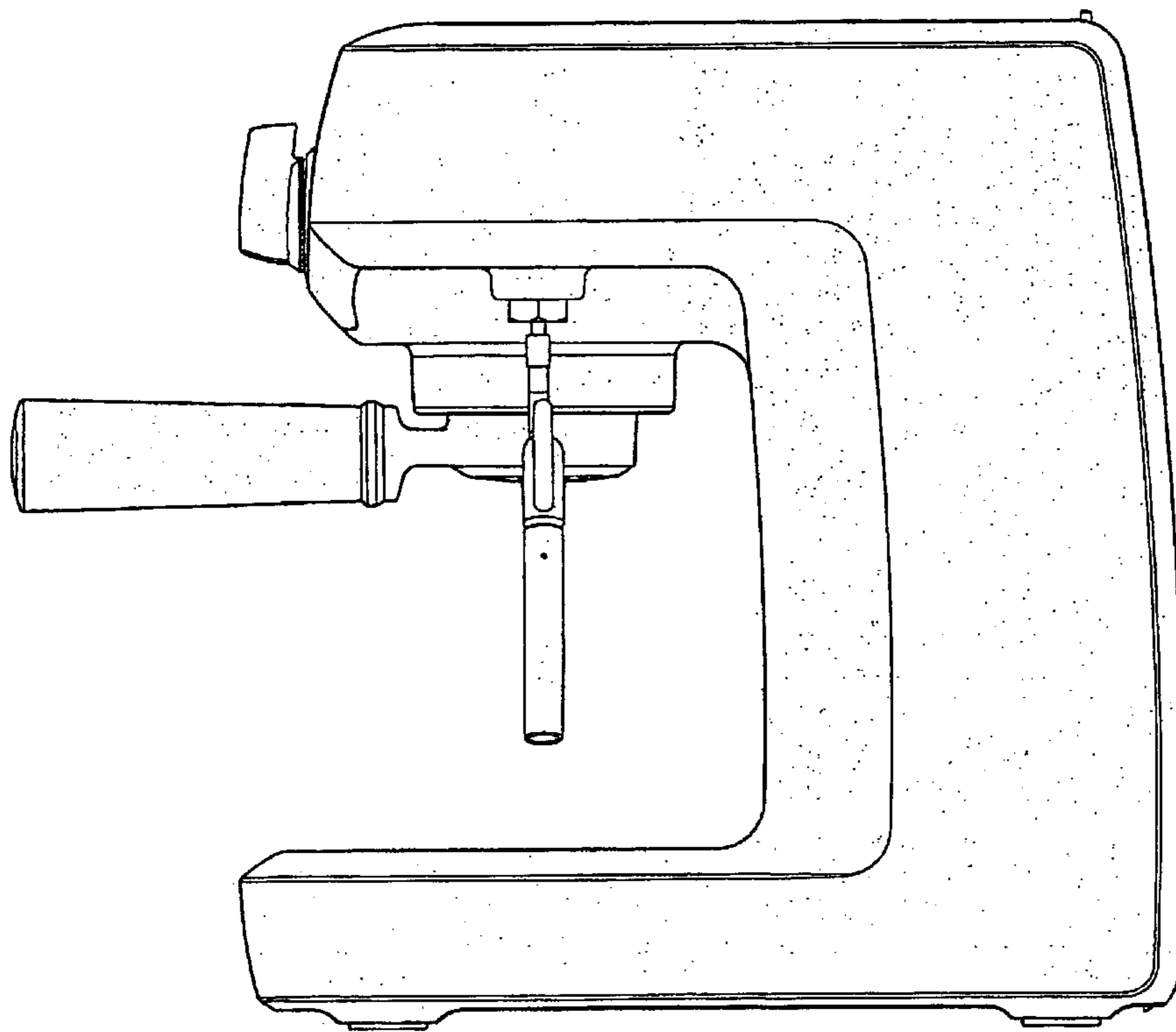


FIGURE 2

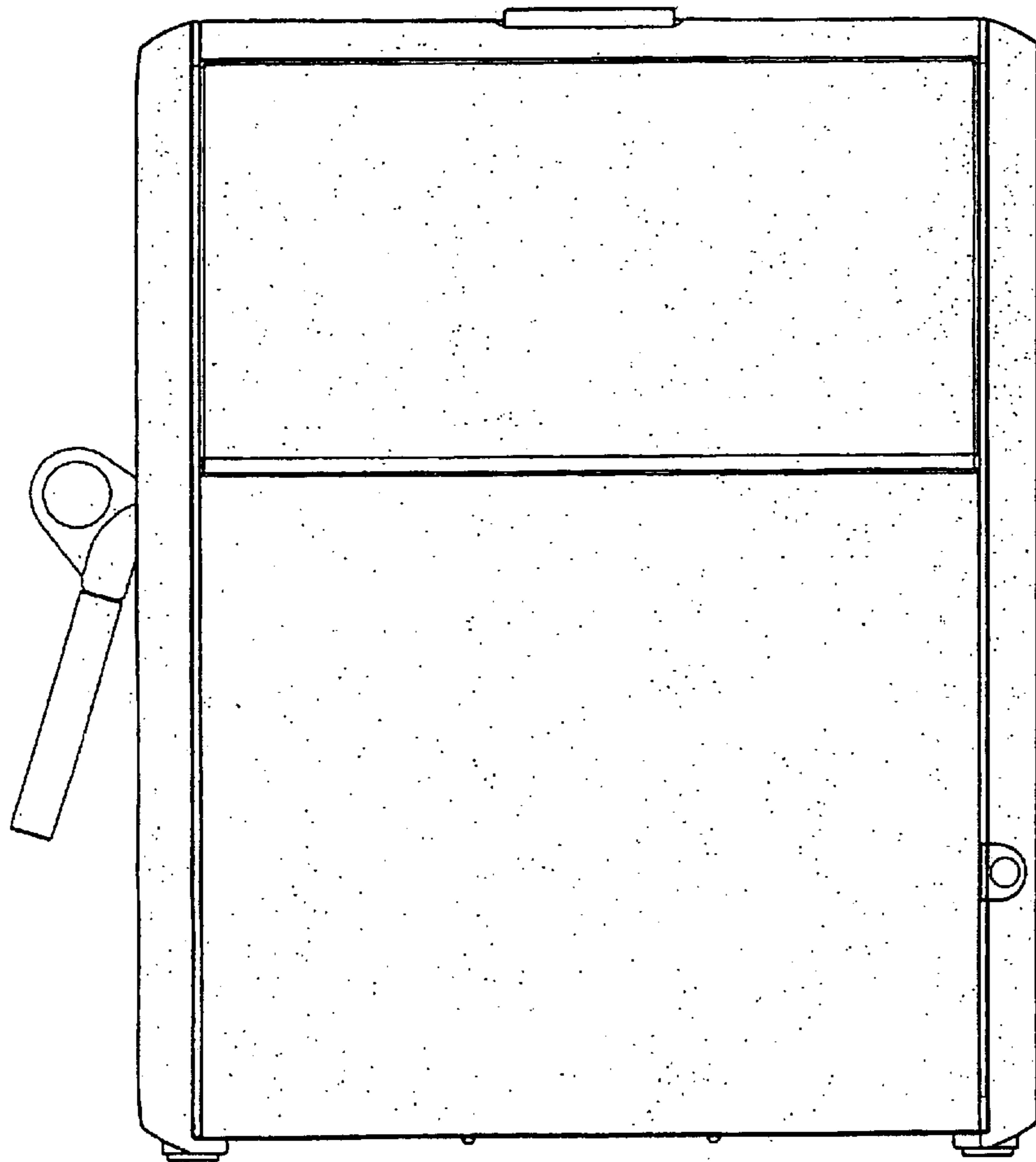


FIGURE 3

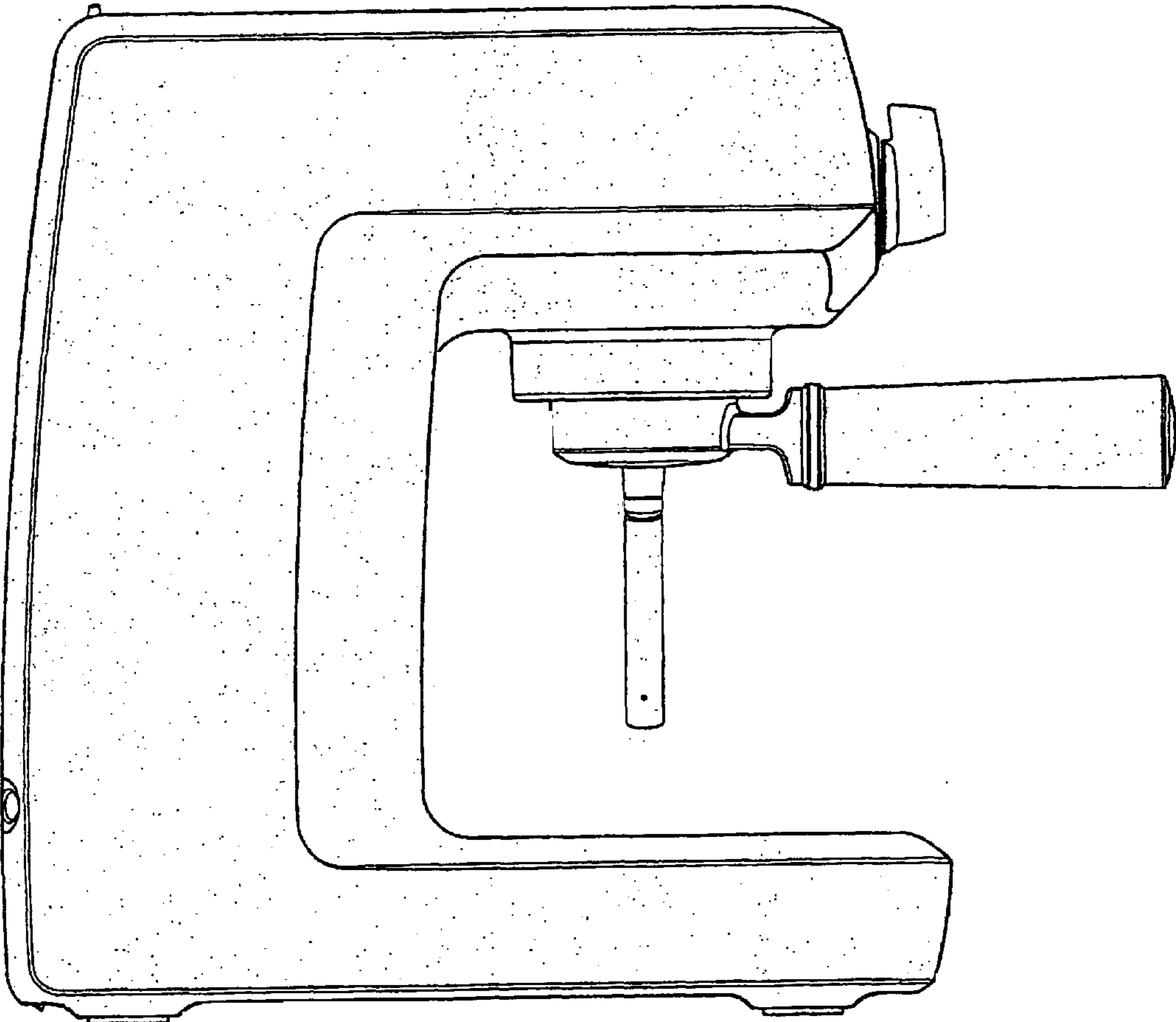


FIGURE 4

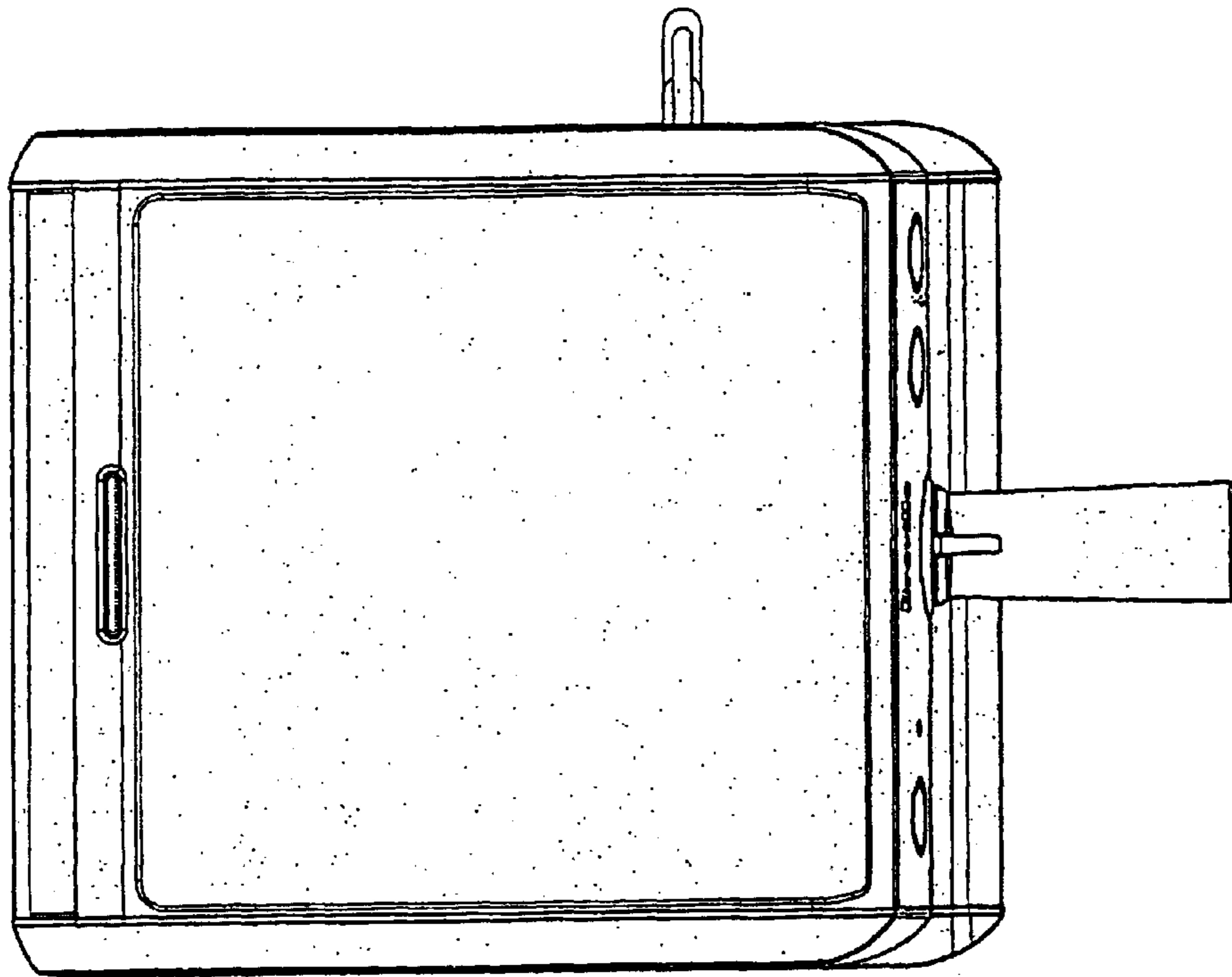


FIGURE 5

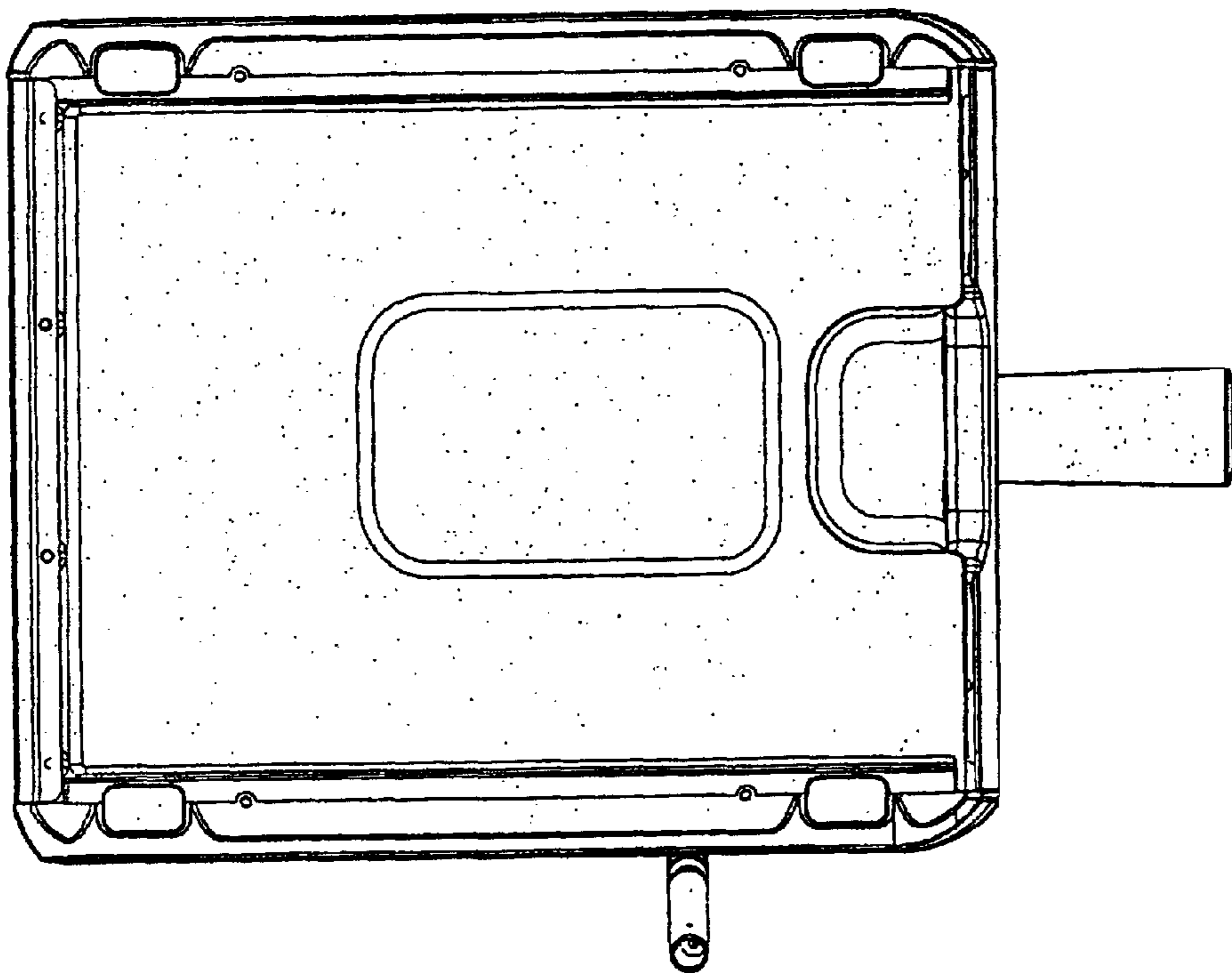


FIGURE 6

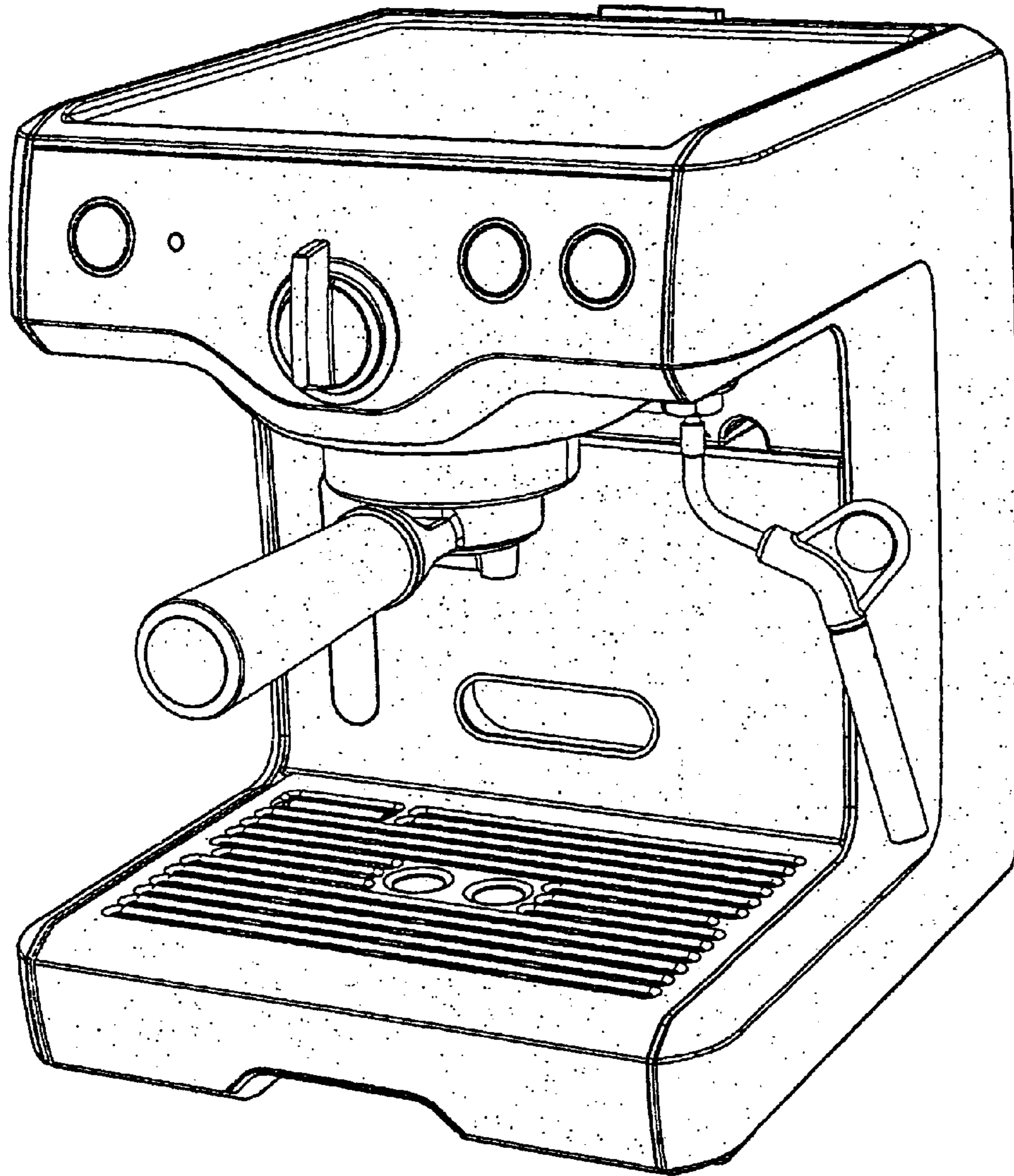


FIGURE 7

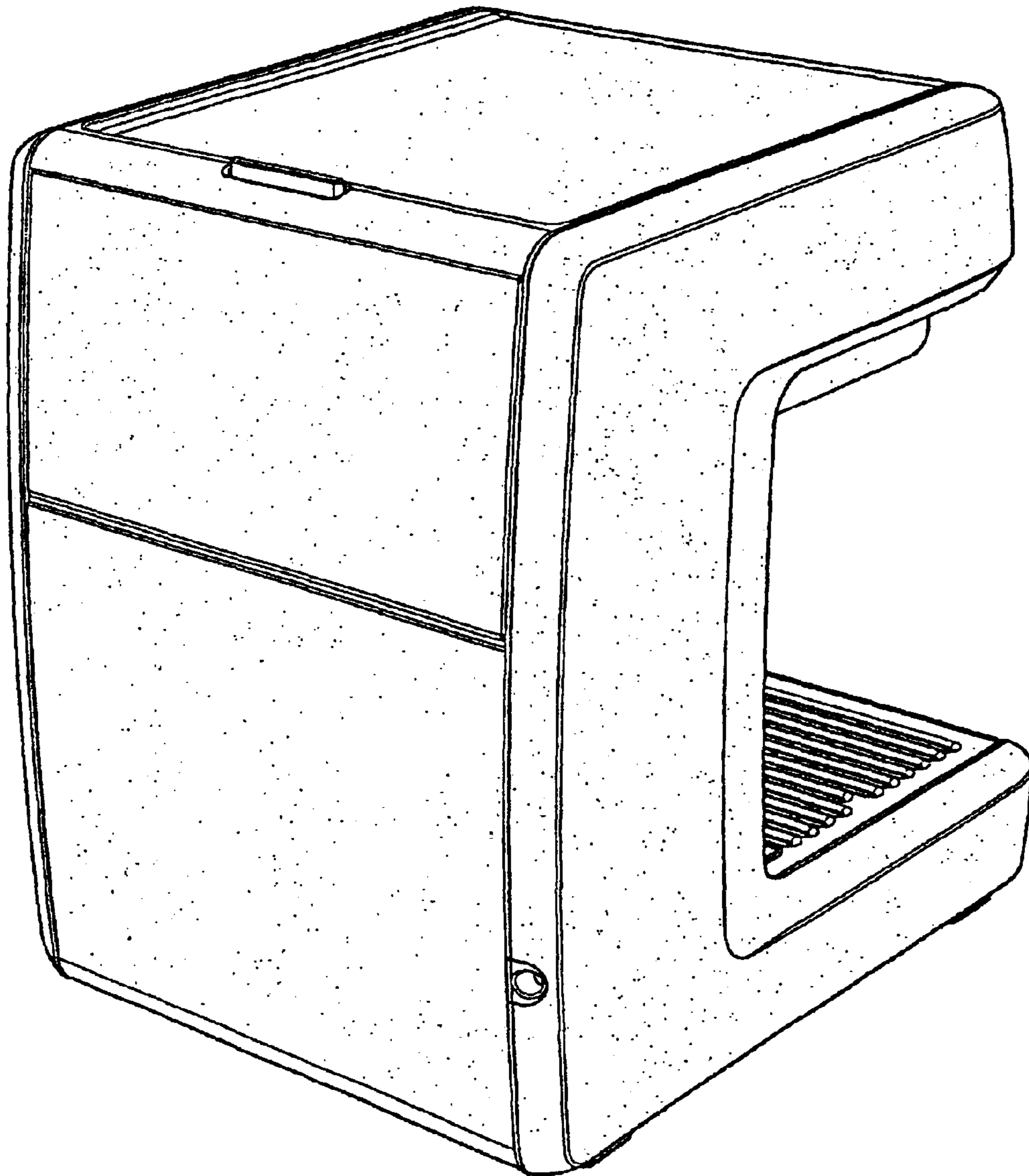


FIGURE 8