



US00D556492S

(12) **United States Design Patent** (10) **Patent No.:** **US D556,492 S**
Diz (45) **Date of Patent:** **** Dec. 4, 2007**

(54) **STORAGE BOX FOR DISK MEDIA**

(75) Inventor: **Luis Michael Simoes Diz**, Chino Hills, CA (US)

(73) Assignee: **Comptree Inc.**, City of Industry, CA (US)

(**) Term: **14 Years**

(21) Appl. No.: **29/212,172**

(22) Filed: **Aug. 27, 2004**

(51) **LOC (8) Cl.** **06-04**

(52) **U.S. Cl.** **D6/632**

(58) **Field of Classification Search** D6/407,
D6/450, 626-635; D9/433, 422, 418, 428,
D9/522, 523, 544, 663; D3/303, 294, 218;
D14/479, 478, 474; 206/751, 755, 457, 312,
206/311, 310, 309, 308.2, 308.1, 307, 303,
206/232, 579, 493, 472; 720/719, 655, 728,
720/734; 211/40; 53/445, 462

See application file for complete search history.

(56) **References Cited**

U.S. PATENT DOCUMENTS

4,700,839	A *	10/1987	Fujii	206/308.3
6,119,872	A *	9/2000	Flores et al.	211/40
6,296,114	B1 *	10/2001	Bubb et al.	206/308.1
D463,277	S *	9/2002	Yang	D9/428
6,712,223	B2 *	3/2004	Kuo	211/40
6,789,668	B2 *	9/2004	Kuo	206/310
6,820,741	B2 *	11/2004	Ferguson et al.	206/310
6,880,697	B2 *	4/2005	Cheng	206/303
6,915,898	B2 *	7/2005	Becker et al.	206/310
7,121,405	B2 *	10/2006	Ito et al.	206/308.1
7,167,096	B2 *	1/2007	Marsilio et al.	340/572.9

OTHER PUBLICATIONS

Meritline.com, 100 CD/DVD Cake Box with Spindle, for CD/DVD Discs Storage, 1, 10, 50, 100, 500 Pack, pp. 1-4, <http://www.meritline.com/dvd-cd-cake-box-spindle-100-storage.html>, visited Aug. 23, 2004.

DVD-RMedia.com, Ritek Ridata G05 8X DVD-R Media with Cake Box 100 Pack, pp. 1-3, <http://www.dvd-rwmedia.com/ritek-8x-dvd-r-100.html>, visited Aug. 23, 2004.

Media Supply, Inc., Taiyo Yuden 80m White Inkjet in Cake Box(300), pp. 1-3, <http://www.mediasupply.com/tyd80wpgrs-600-300.html>, visited Aug. 23, 2004.

CDRom2Go.com, Cake Boxes—CDROM2GO.COM, pp. 1-3, http://www.cdrom2go.com/cd_packaging/cake-box.asp, visited Aug. 23, 2004.

Supermediastore.com, Princo 4X DVD-R Media in Cake Box, pp. 1-5, <http://www.supermediastore.com/princo-dvd-r-4x.html>, visited Aug. 23, 2004.

CDRPlanet.com, Taiyo Yuden 80m Silver Thermal in Cake Box(100), pp. 1-2, <http://www.cdrplanet.com/tyd80sibls-600-100.html>, visited Aug. 23, 2004.

Shentech.com, Optodisc 4.7GB 4xDVD+R Cake Box (Gold color Disk in Spindle), pp. 1-3, <http://www.shentech.com/op44x25dipac.html>, visited Aug. 23, 2004.

* cited by examiner

Primary Examiner—Ian Simmons

Assistant Examiner—Charles D Hanson

(74) *Attorney, Agent, or Firm*—Stoel Rives LLP

(57) **CLAIM**

A storage box for disk media, as shown and described.

DESCRIPTION

FIG. 1 is a perspective view of a storage box for disk media, showing the new design, with top and bottom members in an exploded relationship;

FIG. 2 is a perspective view thereof, in an assembled relationship;

FIG. 3 is a left elevation view thereof;

FIG. 4 is a top plan view thereof;

FIG. 5 is a bottom plan view thereof;

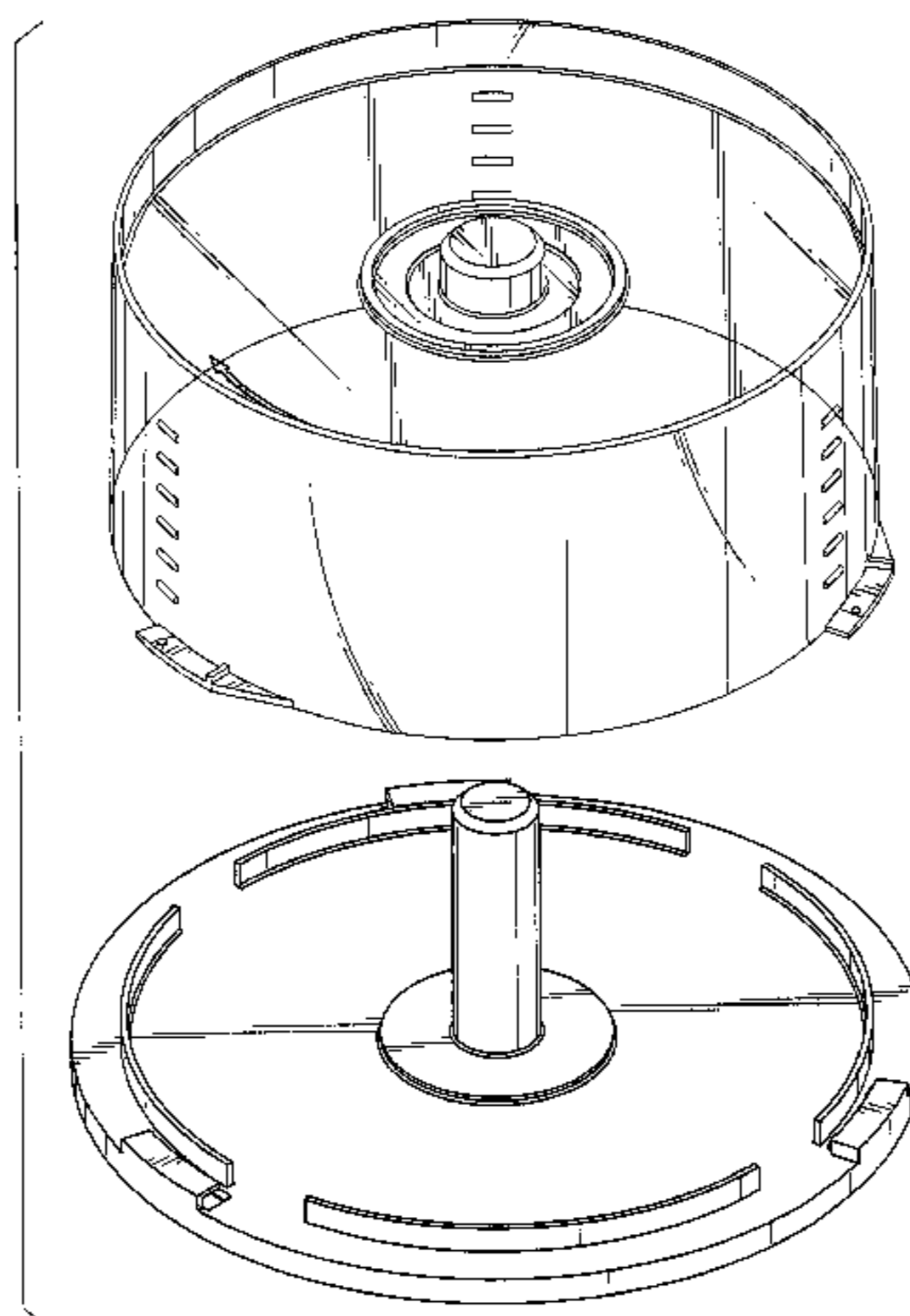
FIG. 6 is a perspective view of a cover thereof, broken away for ease of illustration;

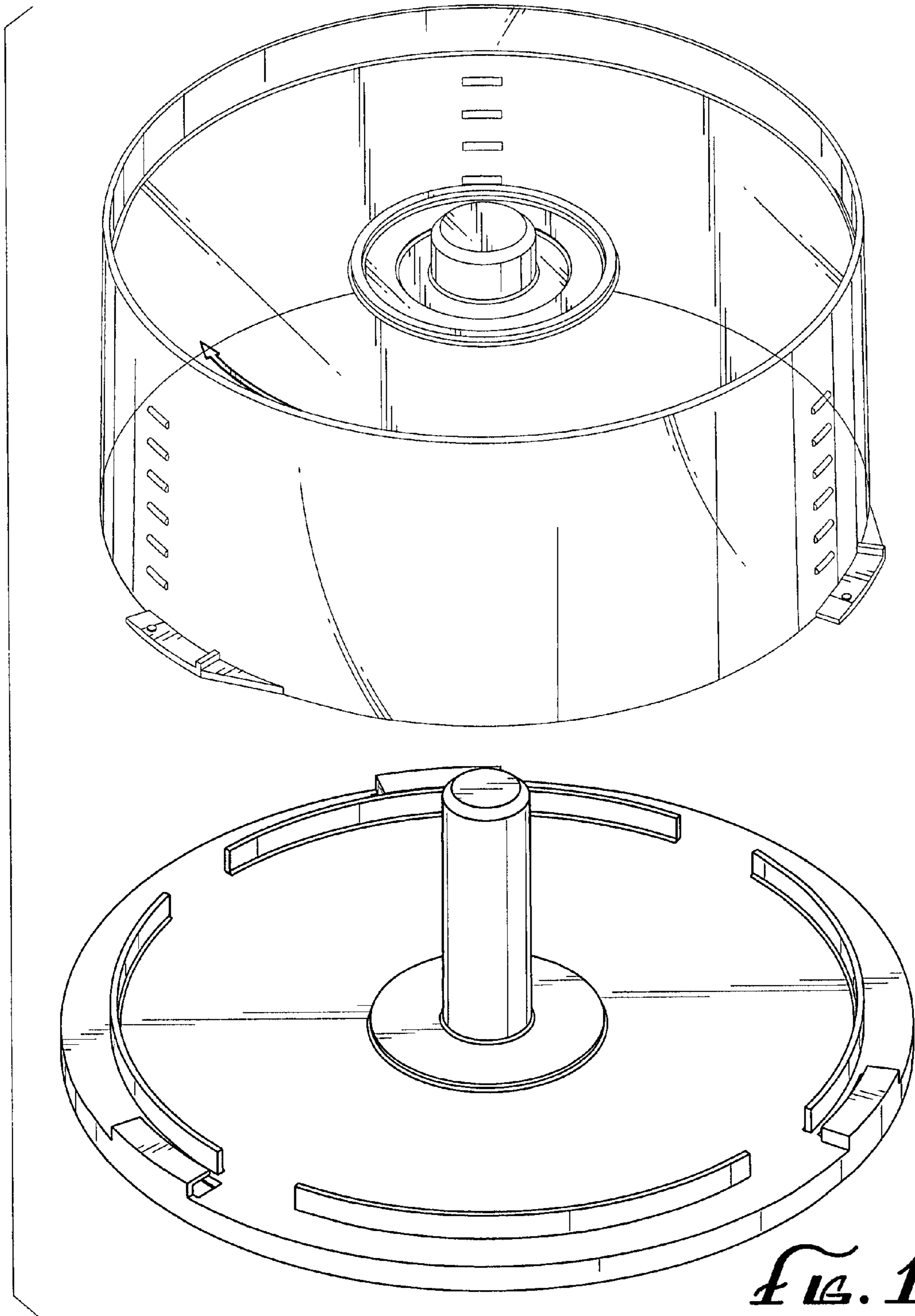
FIG. 7 is a left side elevation view thereof;

FIG. 8 is a top plan view thereof; and,

FIG. 9 is a bottom plan view thereof.

1 Claim, 7 Drawing Sheets





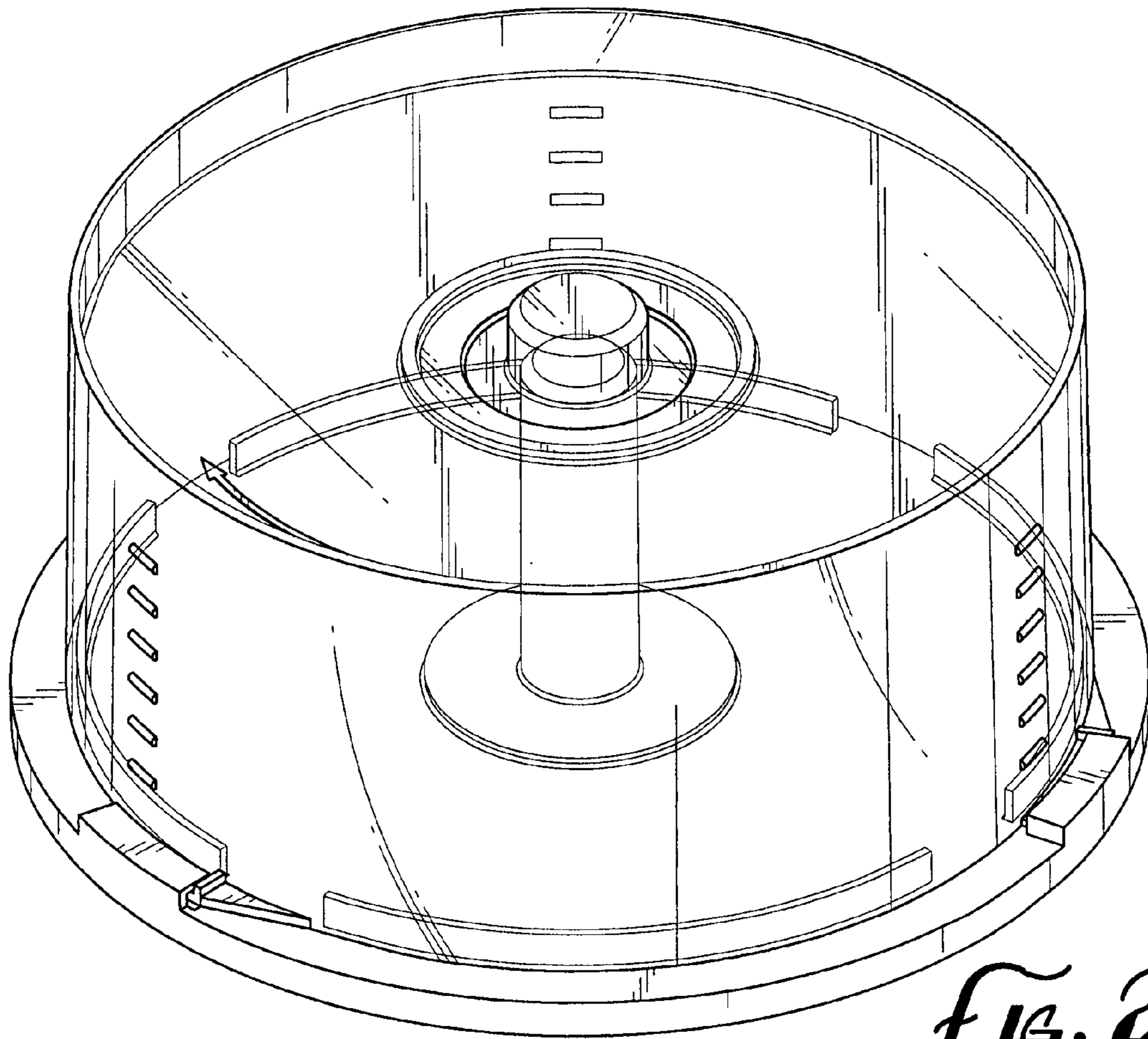


FIG. 2

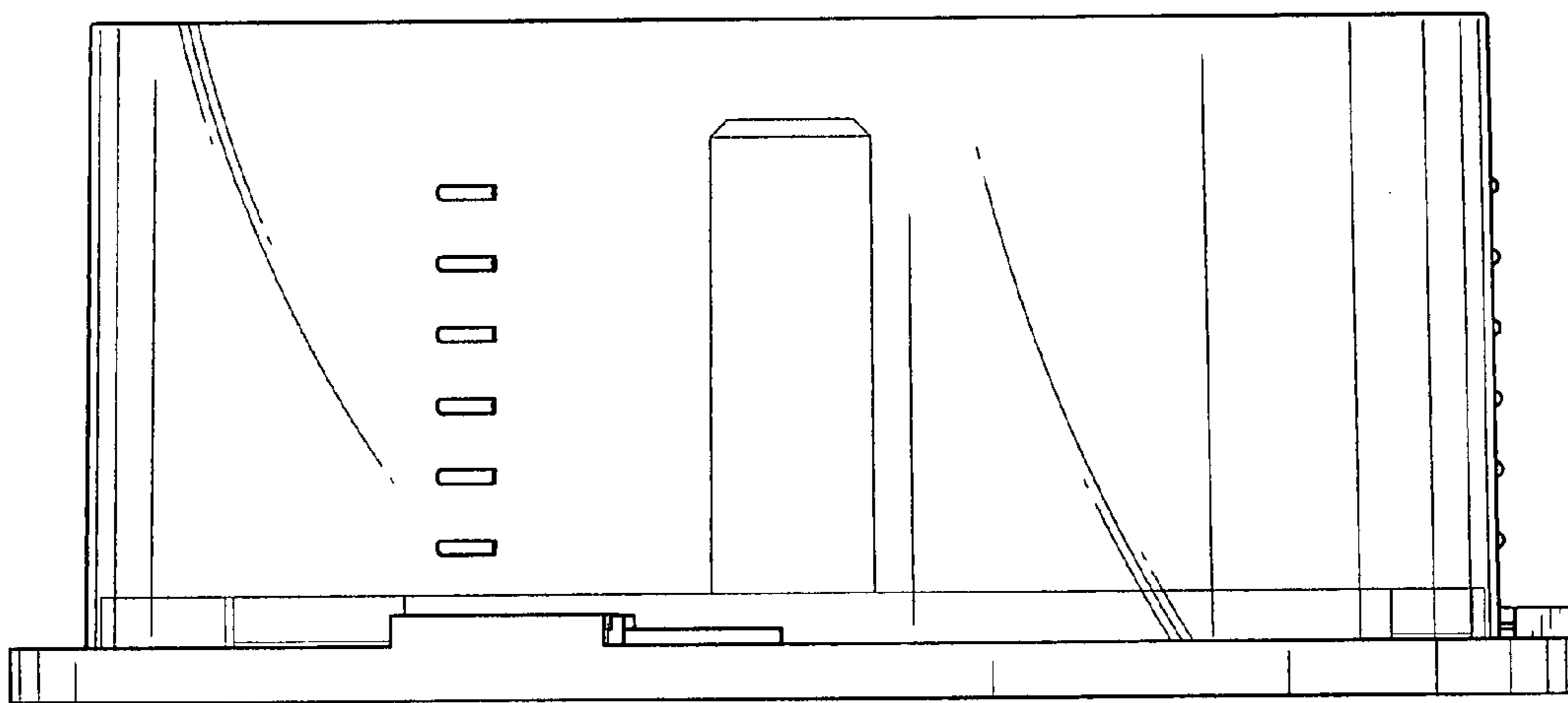


FIG. 3

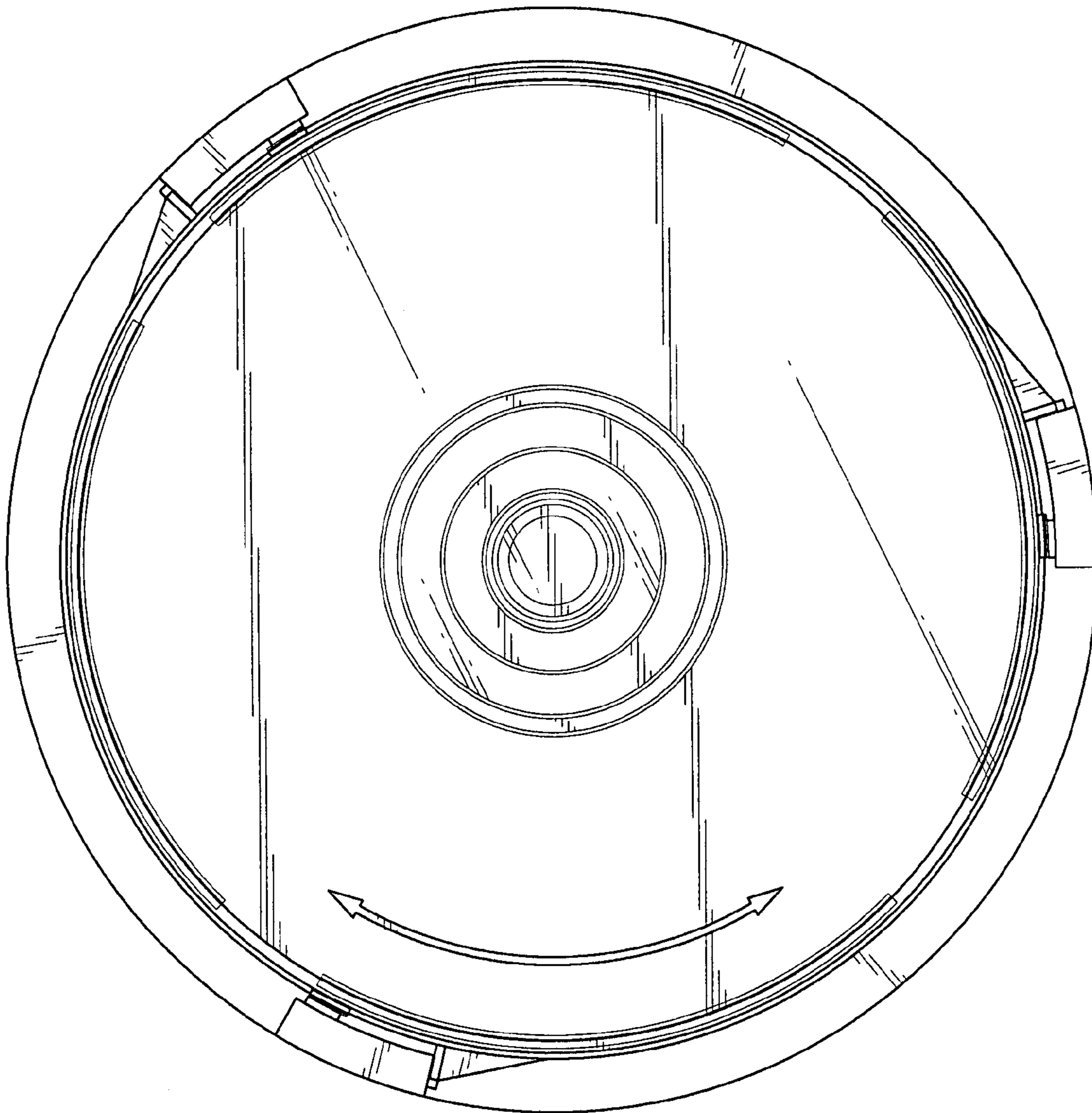


FIG. 4

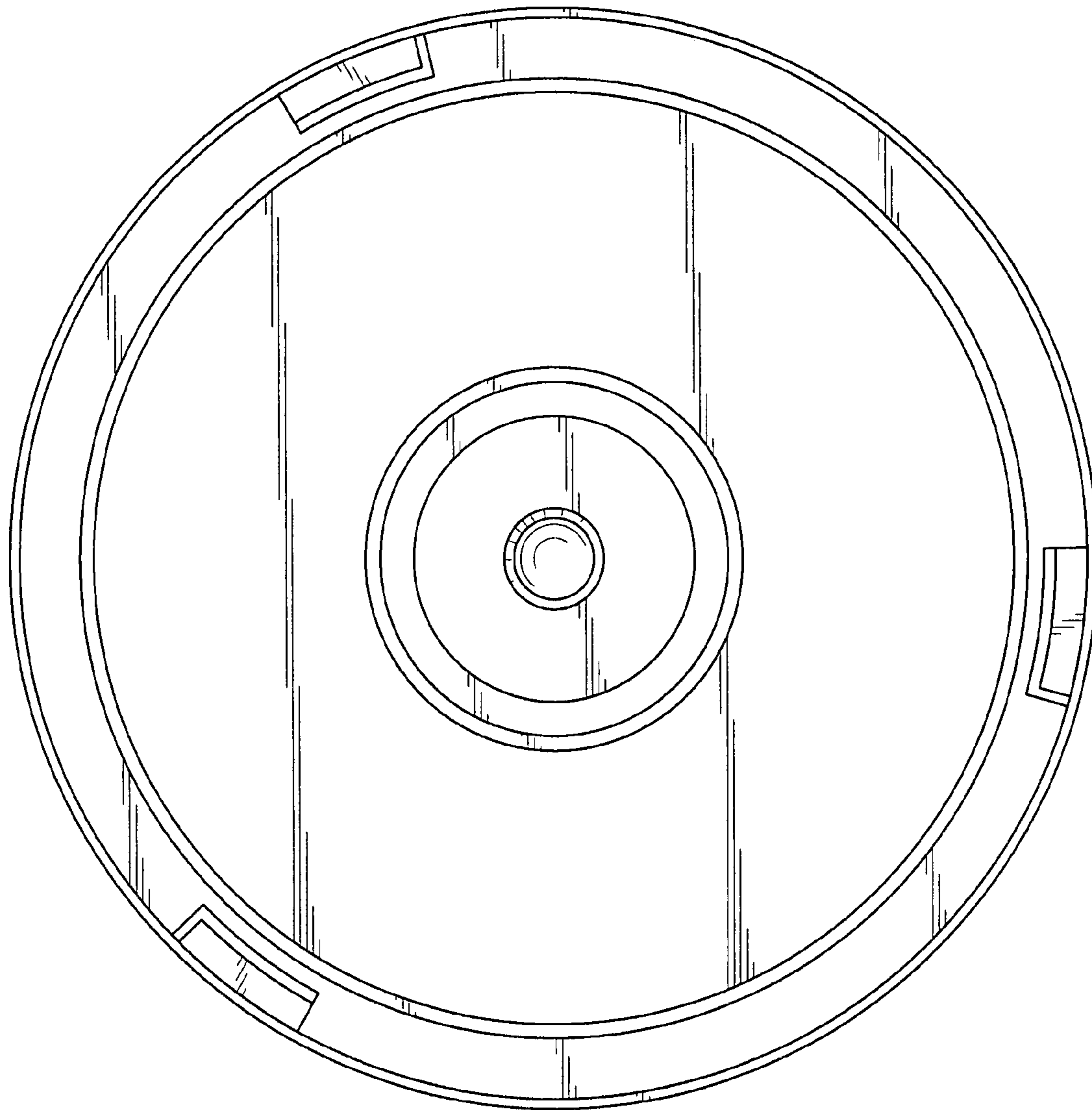


FIG. 5

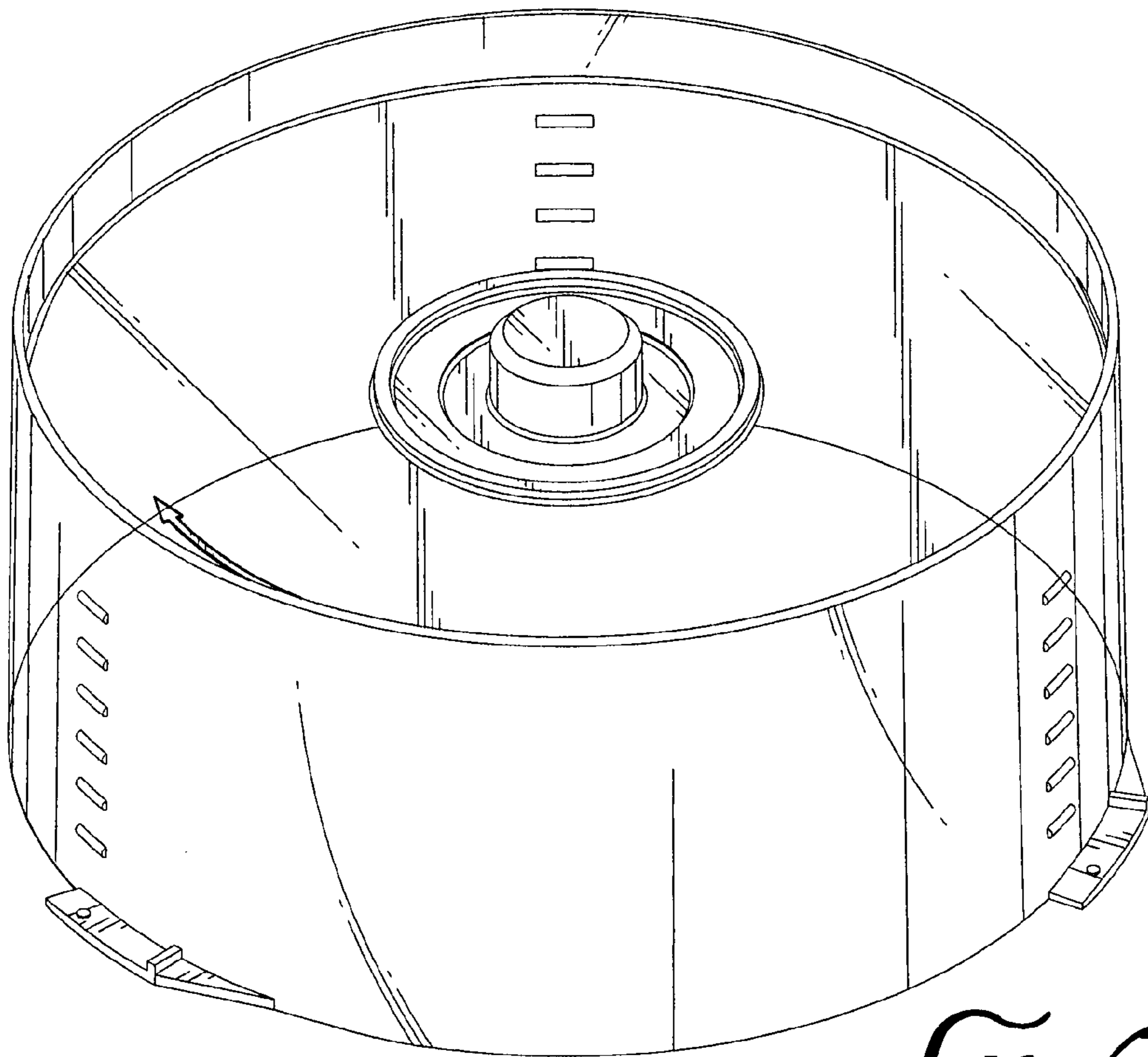


FIG. 6

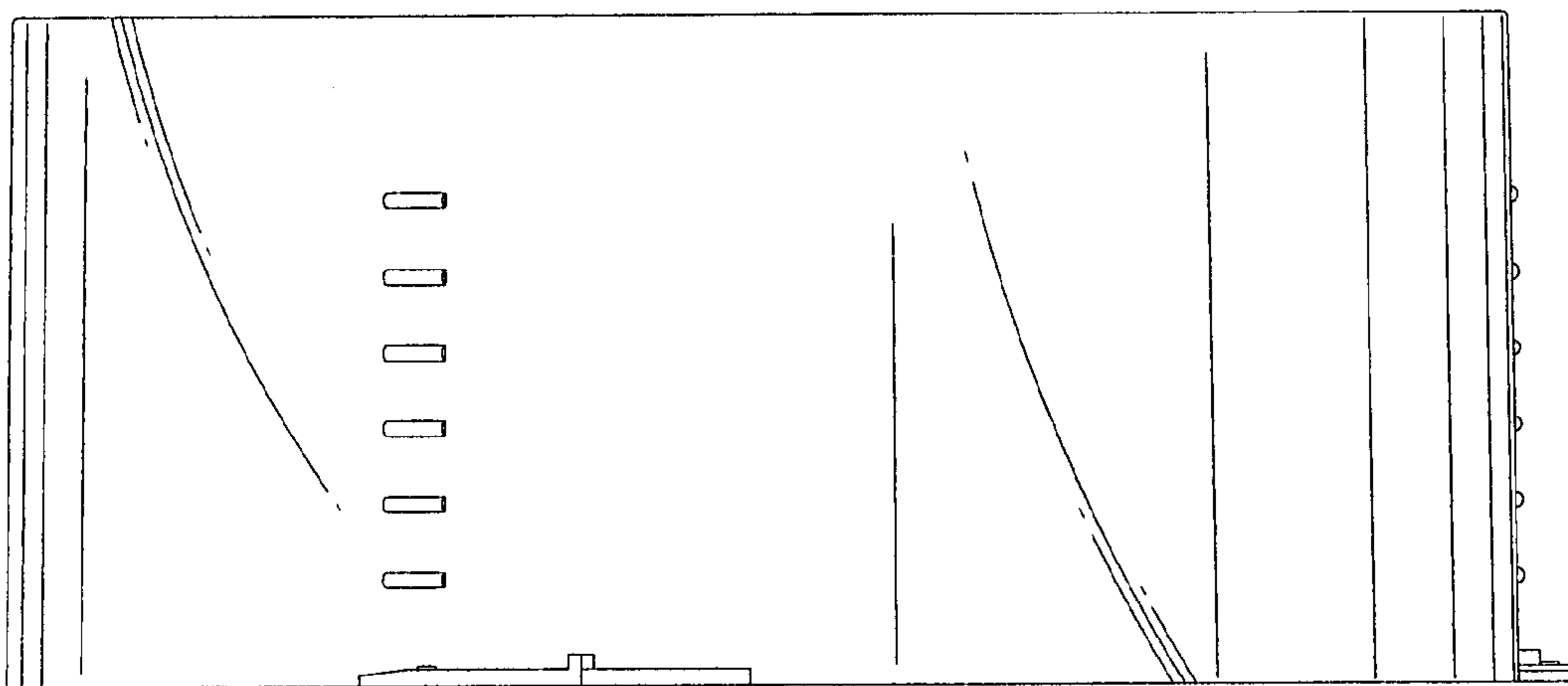


FIG. 7

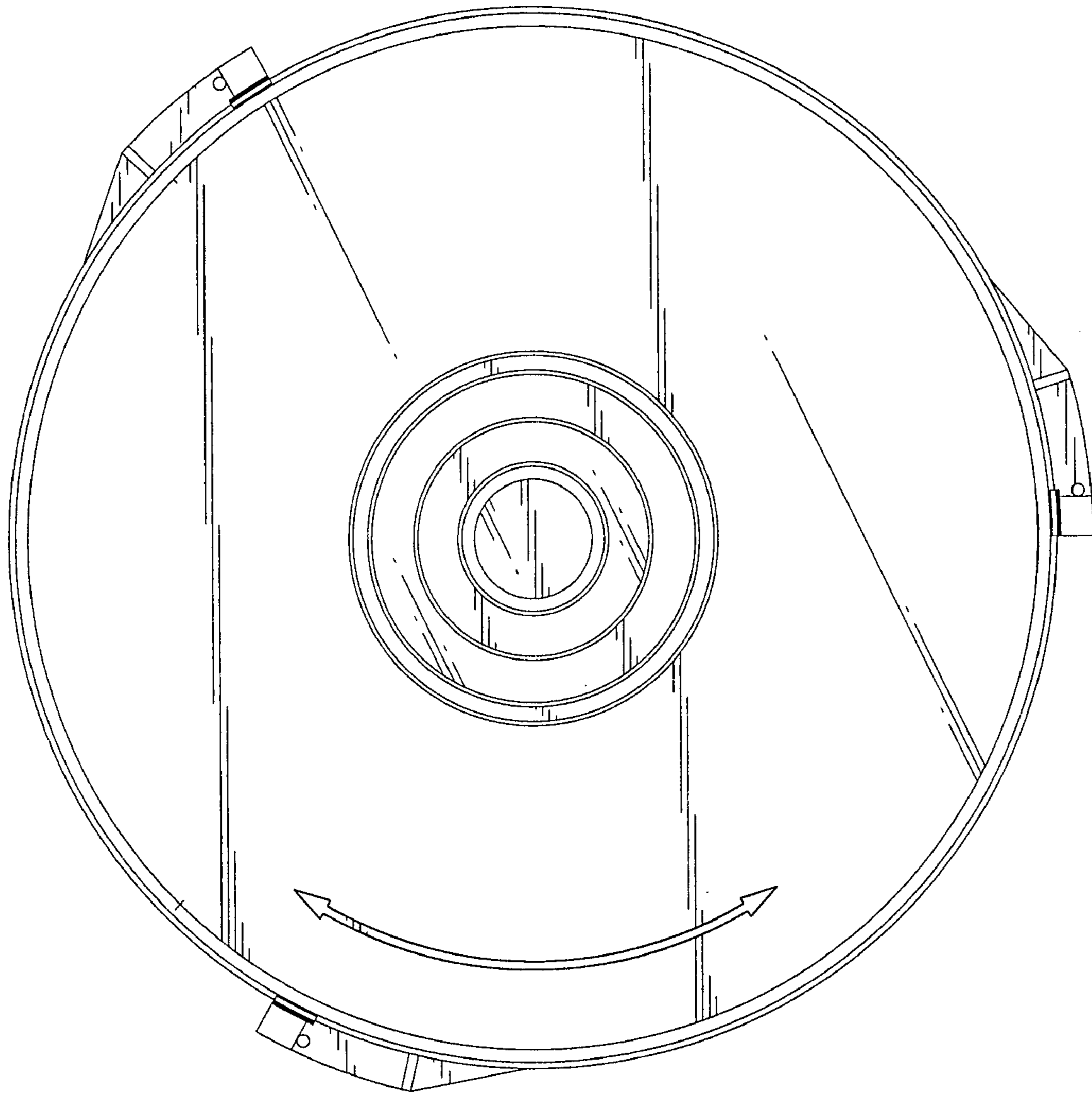


FIG. 8

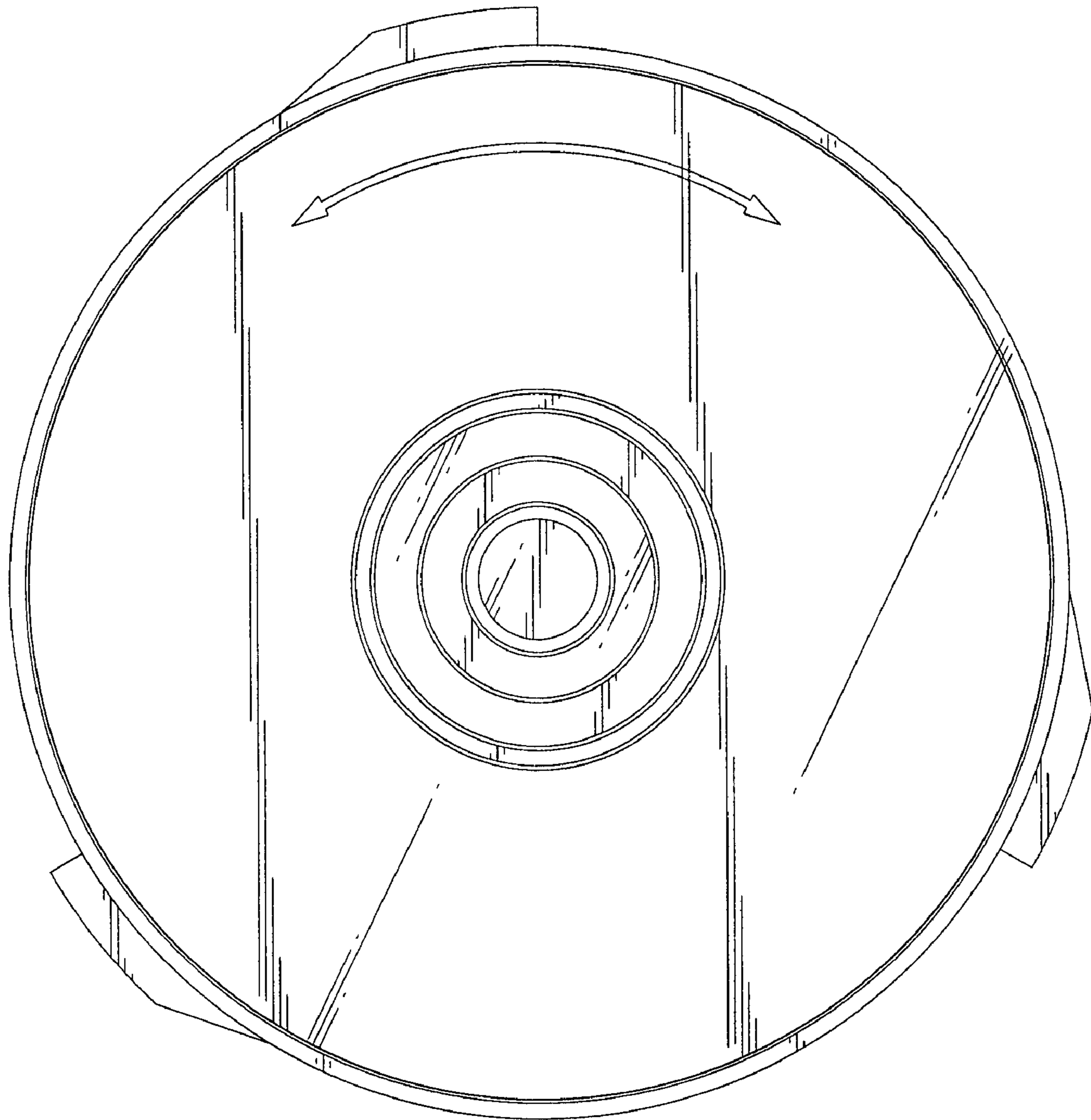


FIG. 9