



US00D556484S

(12) **United States Design Patent** (10) **Patent No.:** **US D556,484 S**
Bender et al. (45) **Date of Patent:** **** Dec. 4, 2007**

(54) **BATHROOM ACCESSORY HOLDER**

(75) Inventors: **Matthew R. Bender**, Huntington Beach, CA (US); **Steven G. Keil**, Strawberry Plains, TN (US)

(73) Assignee: **Blue Ocean Capital, LLC**, Mesa, AZ (US)

(**) Term: **14 Years**

(21) Appl. No.: **29/225,773**

(22) Filed: **Mar. 18, 2005**

Related U.S. Application Data

(63) Continuation-in-part of application No. 10/371,750, filed on Feb. 21, 2003, now abandoned.

(51) **LOC (8) Cl.** **06-04**

(52) **U.S. Cl.** **D6/528**

(58) **Field of Classification Search** D6/512-3, D6/524, 526-8, 534, 539, 540, 553, 563-4; D8/349; D4/107, 125; 40/597; 206/362.1, 206/361; 211/65-6, 69.5, 89.01; 220/483; 248/205.5, 206.2, 309.1, 908; 433/77; 15/143.1, 15/167.1

See application file for complete search history.

(56) **References Cited**

U.S. PATENT DOCUMENTS

1,899,242	A *	2/1933	McNab	248/110
2,177,504	A *	10/1939	Thompson	206/361
2,278,075	A *	3/1942	Hecht	248/205.5
5,402,974	A *	4/1995	Adams	248/205.5
5,839,712	A *	11/1998	Wang	248/316.2
6,305,864	B1 *	10/2001	Nguyen	401/131
D460,307	S *	7/2002	Skarjak	D6/534
6,490,747	B1 *	12/2002	Metwally	15/22.1
6,669,031	B1 *	12/2003	Badonic	211/66
D499,635	S *	12/2004	Osborne	D8/373

2004/0079848	A1 *	4/2004	Wu et al.	248/205.5
2004/0148724	A1 *	8/2004	Katz	15/167.1
2006/0208142	A1 *	9/2006	Adams	248/206.2

* cited by examiner

Primary Examiner—Cathron Brooks

Assistant Examiner—Angela J Lee

(74) *Attorney, Agent, or Firm*—Veronica-Adele R. Cao; Craig Weiss; Weiss & Moy, P.C.

(57) **CLAIM**

The ornamental design for a bathroom accessory holder, as shown and described.

DESCRIPTION

FIG. 1 is a top perspective view of the preferred embodiment of the bathroom accessory holder of the present invention.

FIG. 2 is a bottom view of the bathroom accessory holder of FIG. 1.

FIG. 3 is a perspective view of the bathroom accessory holder of FIG. 1.

FIG. 4 is a top view of the bathroom accessory holder of FIG. 1, showing the protrusions stretched in a substantially oblong shape to clamp a substantially rectangular handle (shown in a top, cross-sectional view) of a bathroom accessory into place.

FIG. 5 is a perspective view of the bathroom accessory holder of FIG. 4, showing a bottom handle portion of a bathroom accessory tightly clamped into place by the plurality of protrusions in the cavity of the bathroom accessory holder; and,

FIG. 6 is a side view of the bathroom accessory holder of FIG. 1.

The broken lines showing a bathroom accessory in use with the bathroom accessory holder is for illustrative purposes only and forms no part of the claimed design.

1 Claim, 1 Drawing Sheet

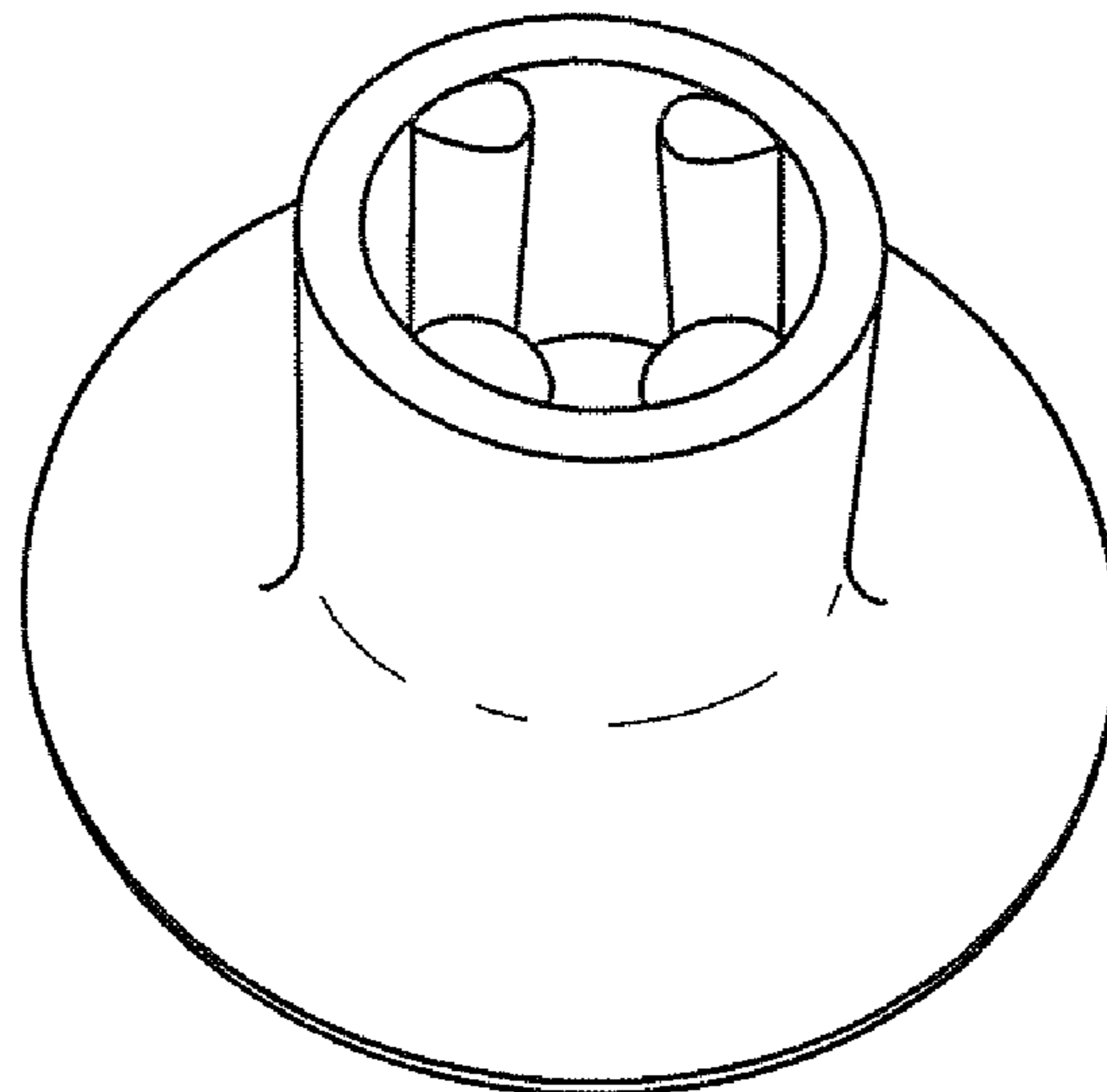


Fig. 1

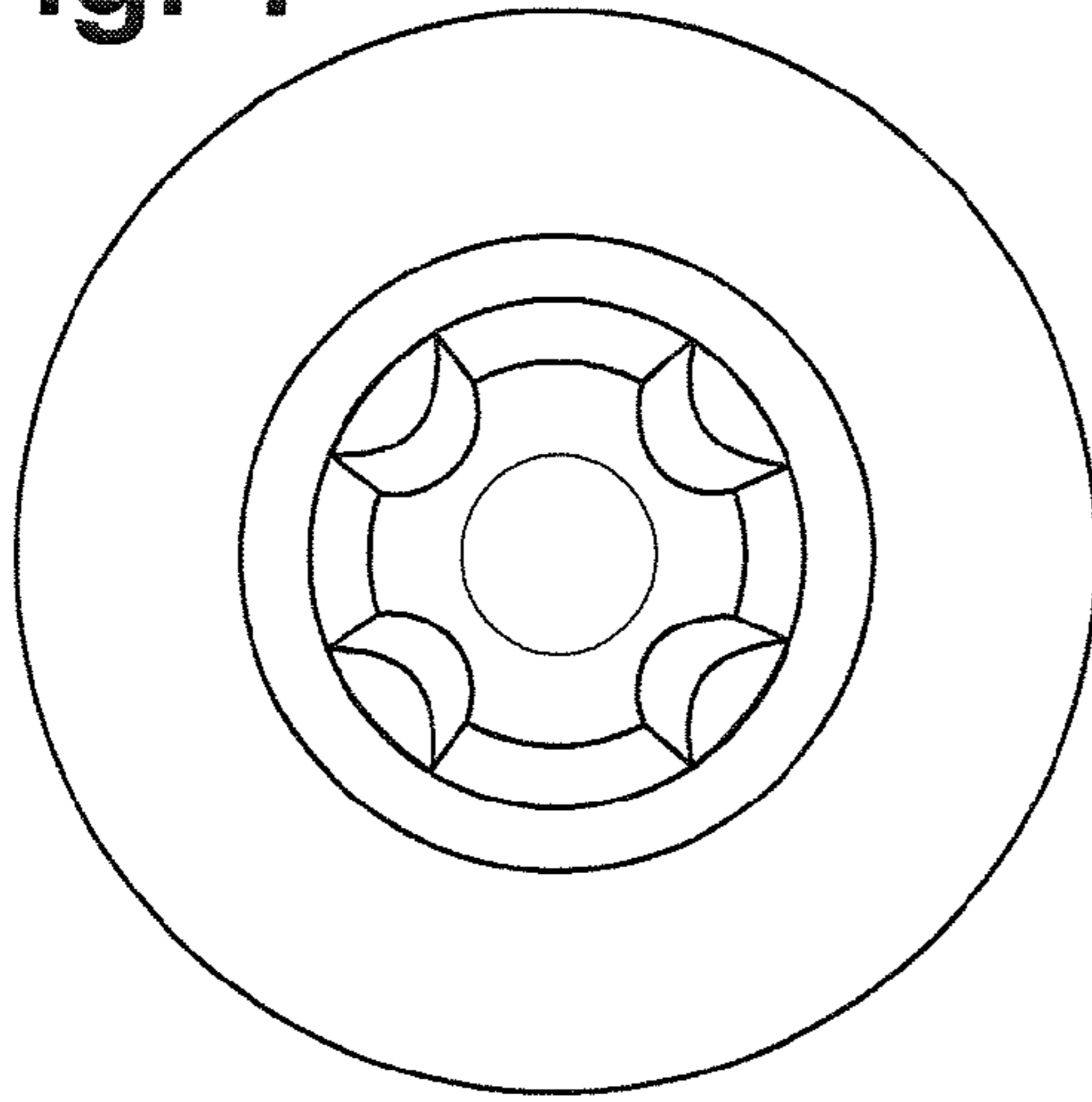


Fig. 2

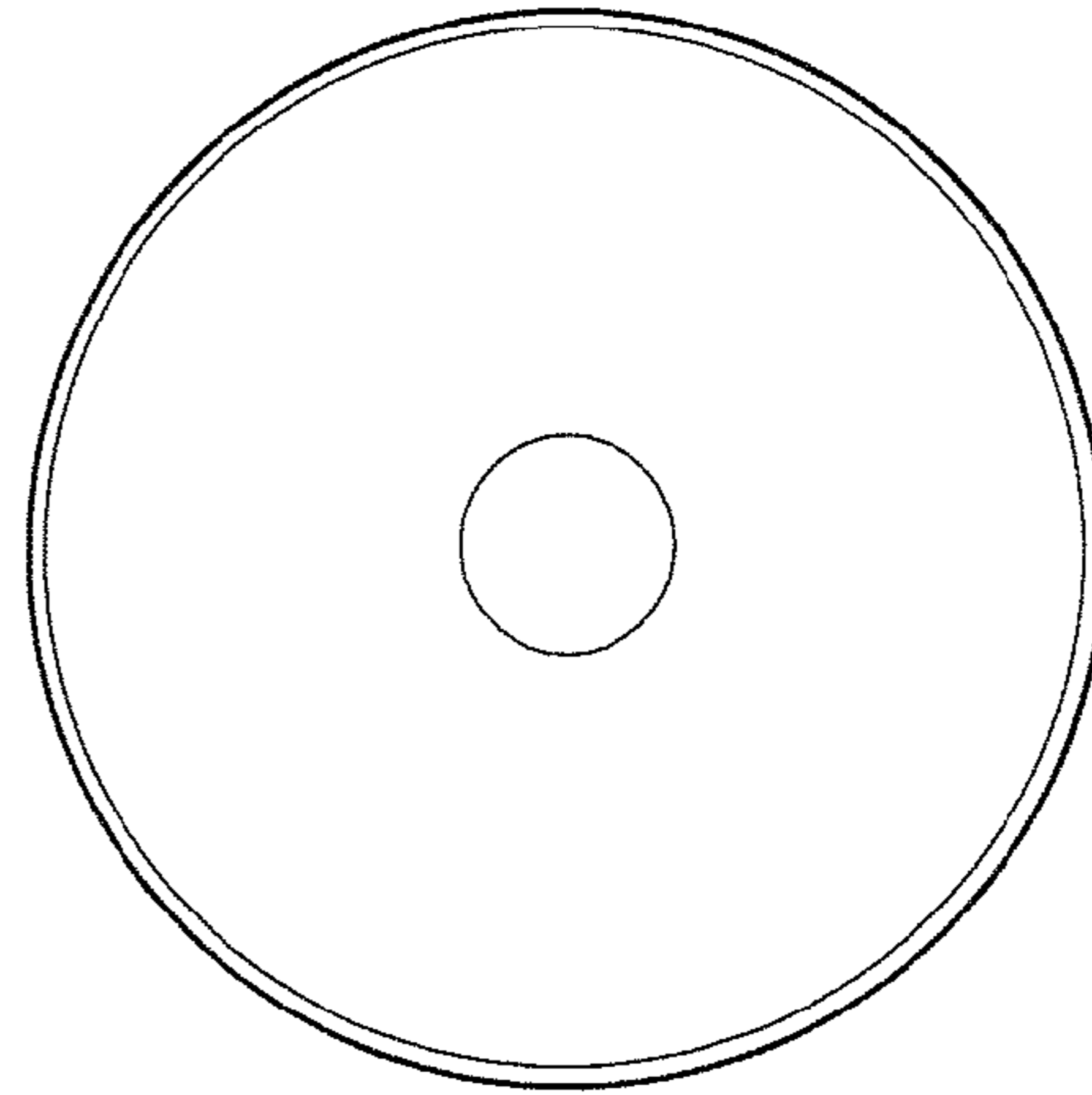


Fig. 3

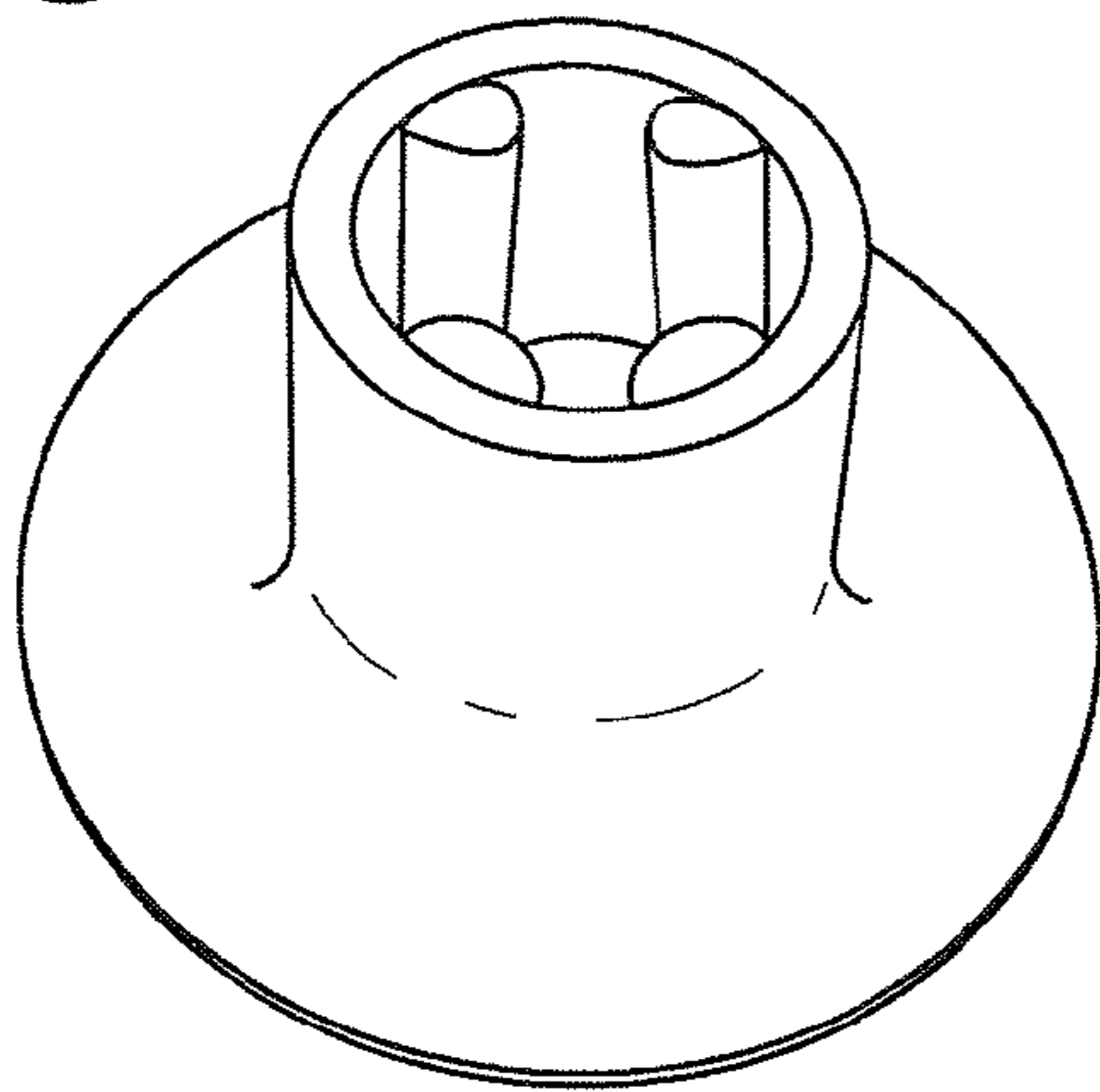


Fig. 4

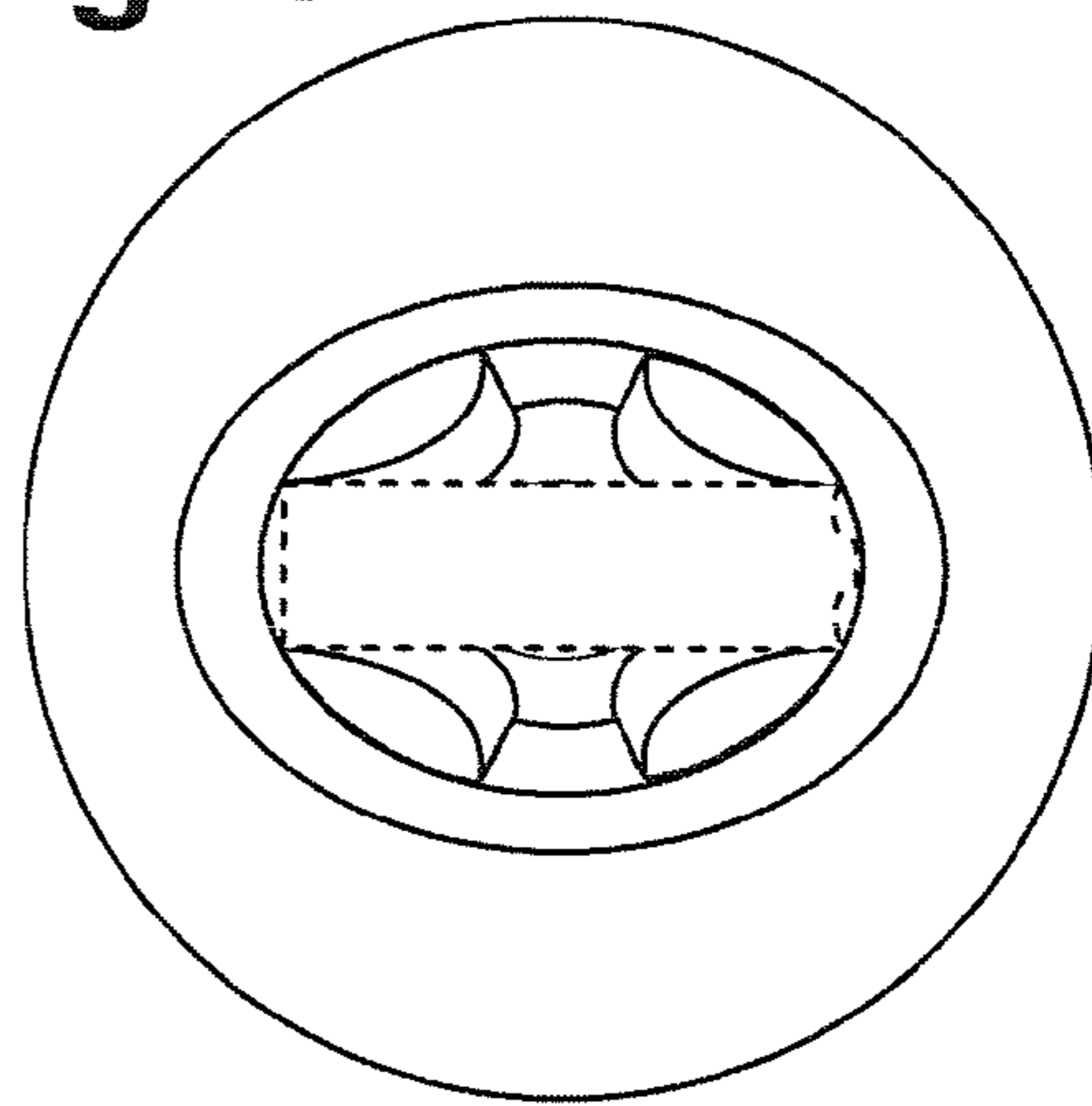


Fig. 5

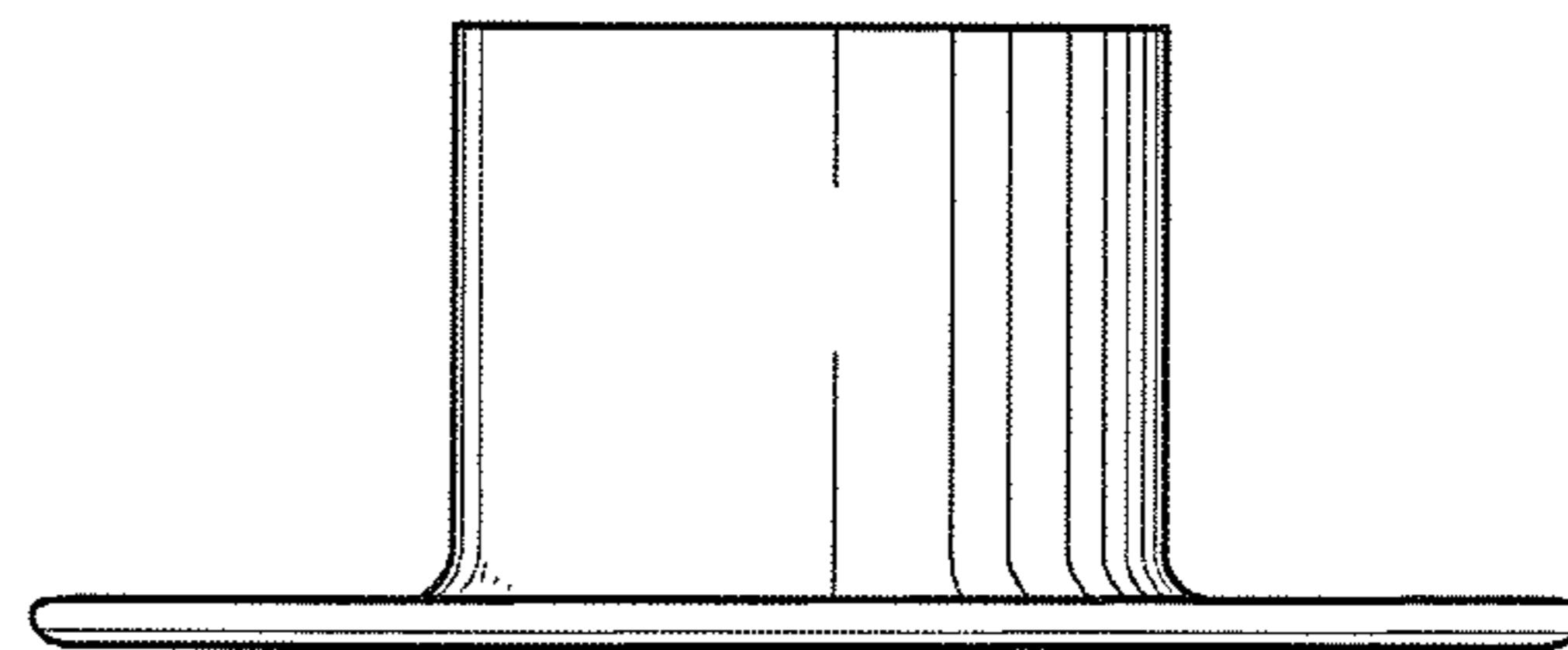
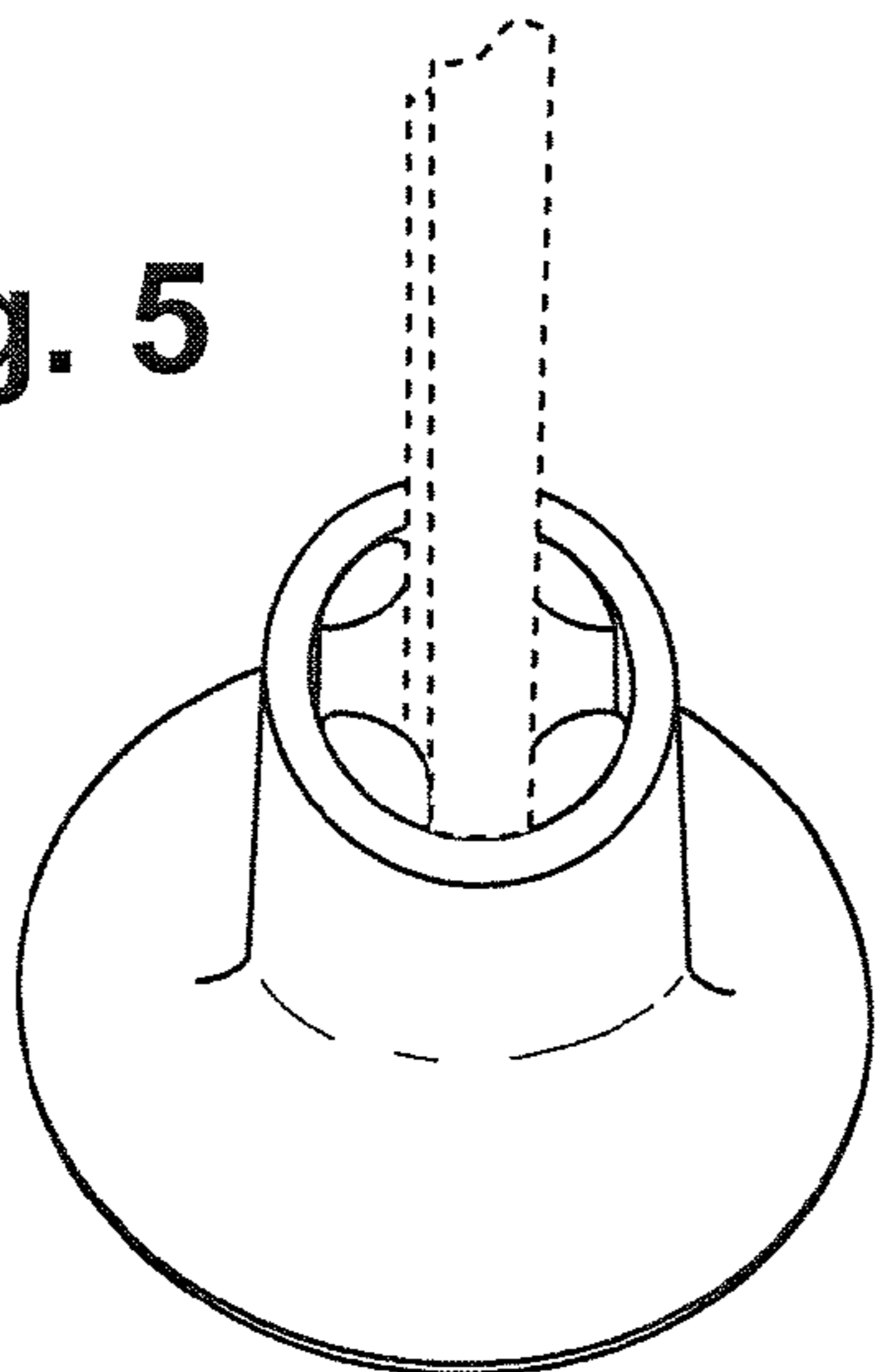


Fig. 6