



US00D556482S

(12) **United States Design Patent** (10) **Patent No.:** **US D556,482 S**
Goeking et al. (45) **Date of Patent:** **** Dec. 4, 2007**

(54) **TISSUE ROLL DISPENSER COVER**

(75) Inventors: **Harold J. Goeking**, Oshkosh, WI (US); **Gregory D. Budz**, Sobieski, WI (US); **Michael R. Kilgore**, Little Suamico, WI (US); **Karl D. Kissinger**, Appleton, WI (US); **Andy L. Kirkpatrick**, Green Bay, WI (US); **John R. Moody**, Winlock, WA (US)

(73) Assignee: **Georgia-Pacific Consumer Products LP**, Atlanta, GA (US)

(**) Term: **14 Years**

(21) Appl. No.: **29/242,371**

(22) Filed: **Nov. 9, 2005**

(51) **LOC (8) Cl.** **20-02**

(52) **U.S. Cl.** **D6/520**

(58) **Field of Classification Search** D6/515-523;
242/560, 570, 590, 598; 312/34.1; 206/389;
211/85.5

See application file for complete search history.

(56) **References Cited**

U.S. PATENT DOCUMENTS

2,930,664 A 3/1960 Liebisch 312/39

(Continued)

FOREIGN PATENT DOCUMENTS

GB 2 245 882 A 1/1992

Primary Examiner—Brian N Vinson

(74) *Attorney, Agent, or Firm*—Joel T. Charlton

(57) **CLAIM**

The ornamental design for a tissue roll dispenser cover, as shown and described.

DESCRIPTION

A portion of the disclosure of this patent document contains material to which a claim for copyright is made. The

copyright owner has no objection to the facsimile reproduction by anyone of the patent document or the patent disclosure as it appears in the Patent and Trademark Office patent file or records, but reserves all other copyright rights whatsoever.

This application relates to the following design applications being filed concurrently herewith: U.S. Design patent application Ser. No. 29/242,372, filed Nov. 9, 2005, entitled Tissue Roll Dispenser; and U.S. Design patent application Ser. No. 29/242,373, filed Nov. 9, 2005, entitled Tissue Roll Dispenser.

This application still further relates to U.S. patent application Ser. No. 11/270,005 filed Nov. 9, 2005, entitled Tissue Roll Dispenser based on the aforementioned Provisional Applications.

FIG. 1 is a front view in elevation of the invention;

FIG. 2 is a perspective view of the inventive tissue roll dispenser cover;

FIG. 3 is a right side view in elevation of the inventive tissue roll dispenser cover;

FIG. 4 is a left side view in elevation of the tissue roll dispenser cover;

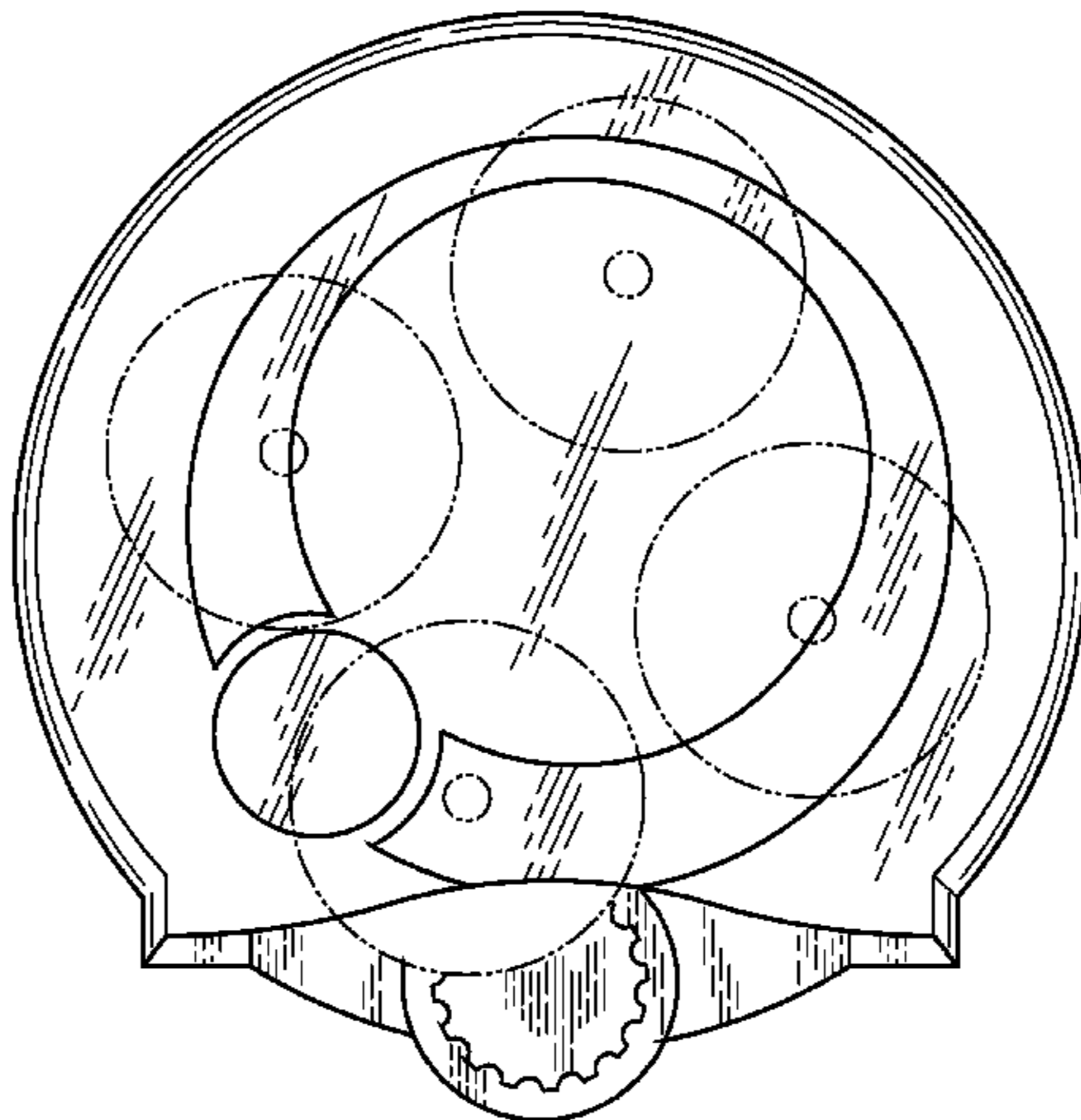
FIG. 5 is a rear view in elevation of the tissue roll dispenser cover;

FIG. 6 is a top plan view of the tissue roll dispenser cover; and,

FIG. 7 is a bottom plan view of the tissue roll dispenser cover.

The tissue roll dispenser cover is shown with 4 rolls of tissue outlined in phantom lines which form no part of the claimed design but are included to illustrate the lucency of the ornamental tissue roll dispenser cover. Likewise, the support elements of the dispenser (shown in lighter color than the cover) form no part of the claimed tissue roll dispenser cover design, but are included to show how it is mounted.

1 Claim, 5 Drawing Sheets



US D556,482 S

Page 2

U.S. PATENT DOCUMENTS

4,108,513	A	8/1978	Lander	312/39	5,636,812	A	6/1997	Conner et al.	242/559.2
4,557,426	A	12/1985	Siciliano	242/55.3	D436,774	S *	1/2001	Engelstein et al.	D6/522
4,989,800	A	2/1991	Tritch	242/55.3	D458,489	S *	6/2002	Omdoll et al.	D6/523
5,310,129	A	5/1994	Whittington et al.	242/55.3	D458,490	S *	6/2002	Omdoll et al.	D6/523
D351,520	S *	10/1994	Frazier et al.	D6/523	6,648,267	B2	11/2003	Stanland et al.	242/559.2
D351,749	S *	10/1994	Omdoll et al.	D6/523	6,752,349	B2	6/2004	Moody et al.	242/560

* cited by examiner

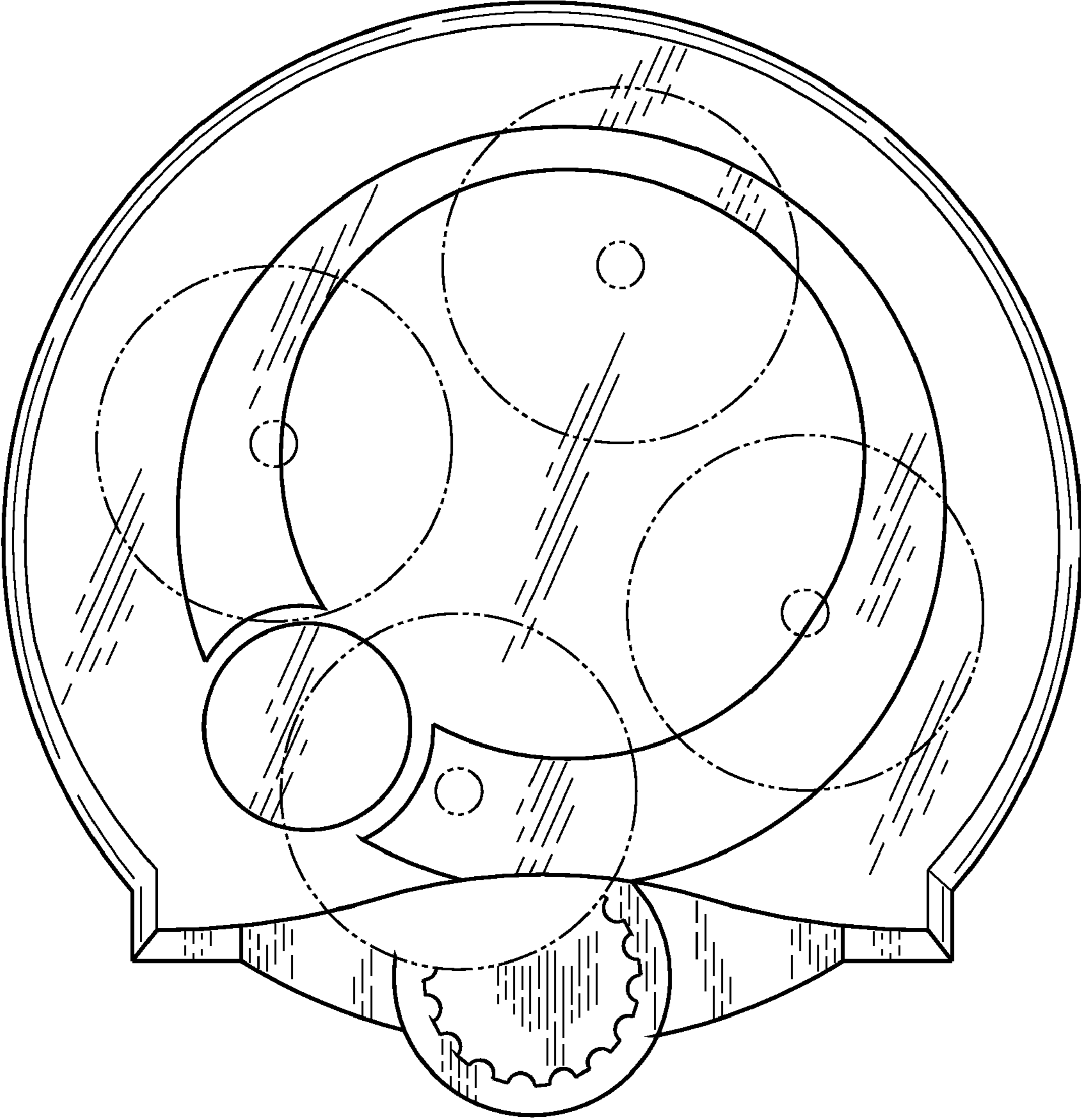


Fig. 1

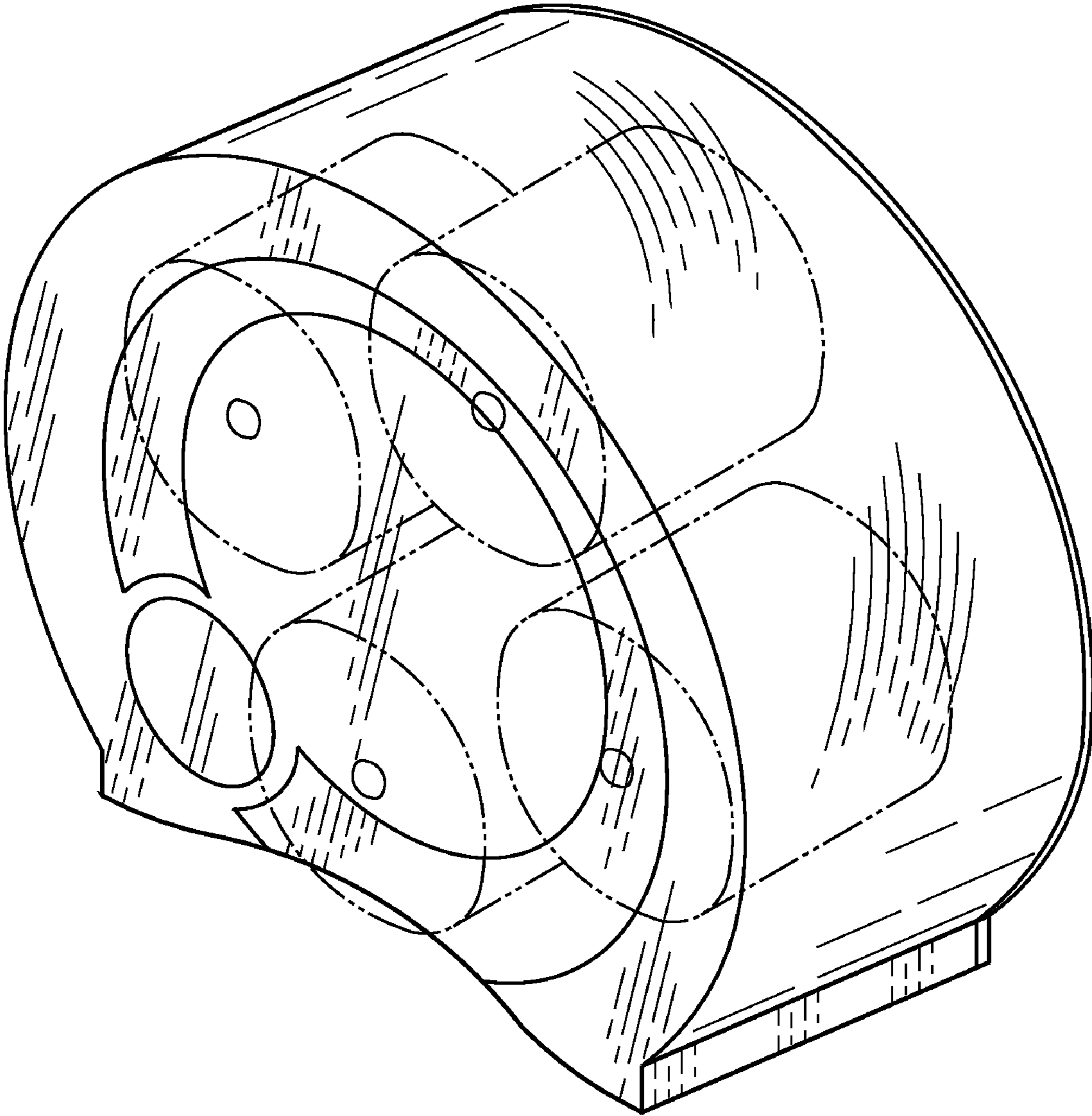


Fig. 2

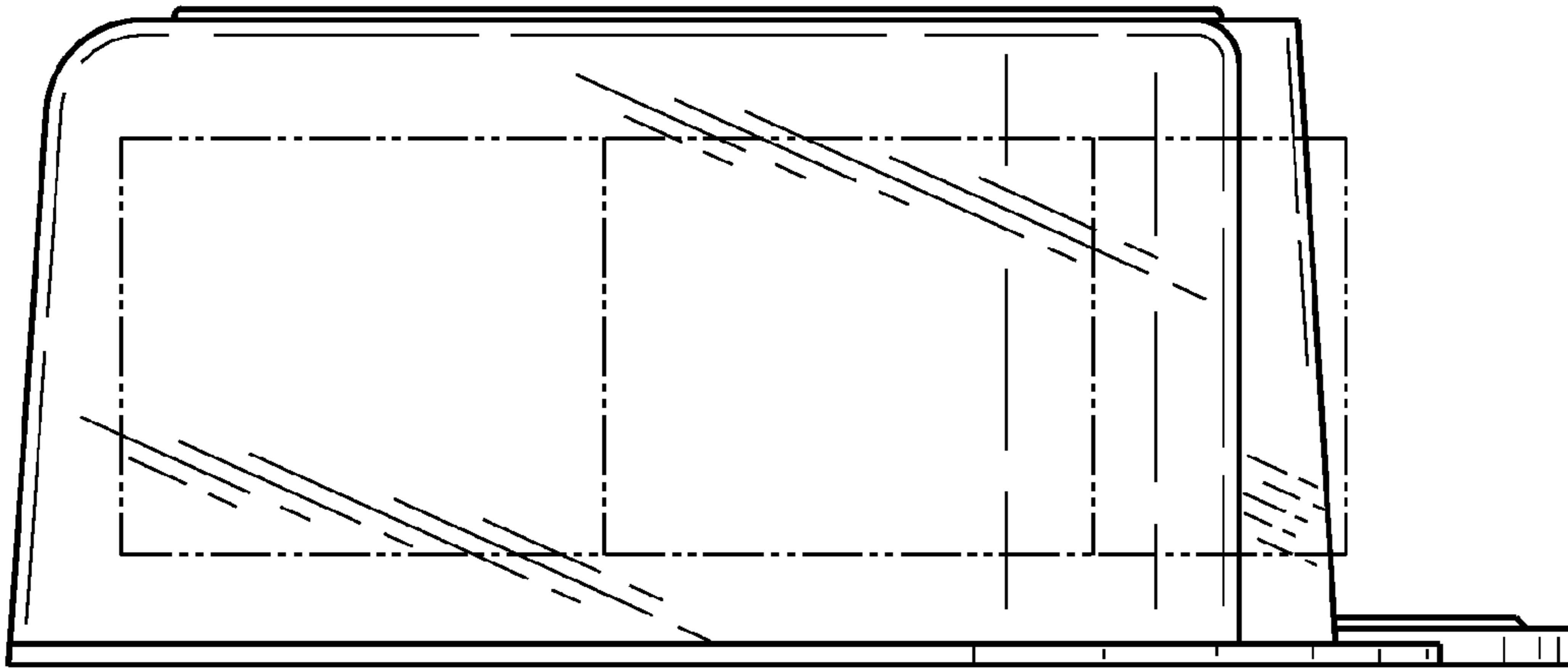


Fig. 4

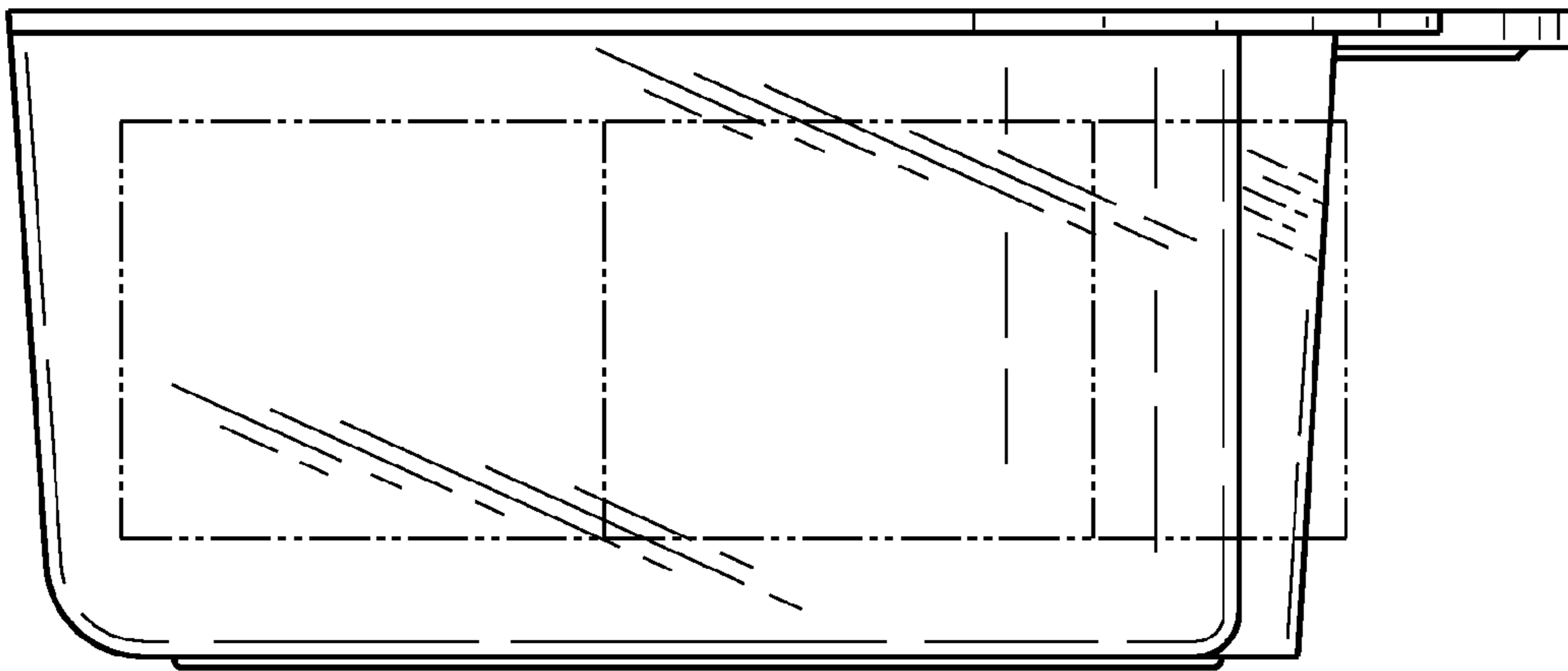


Fig. 3

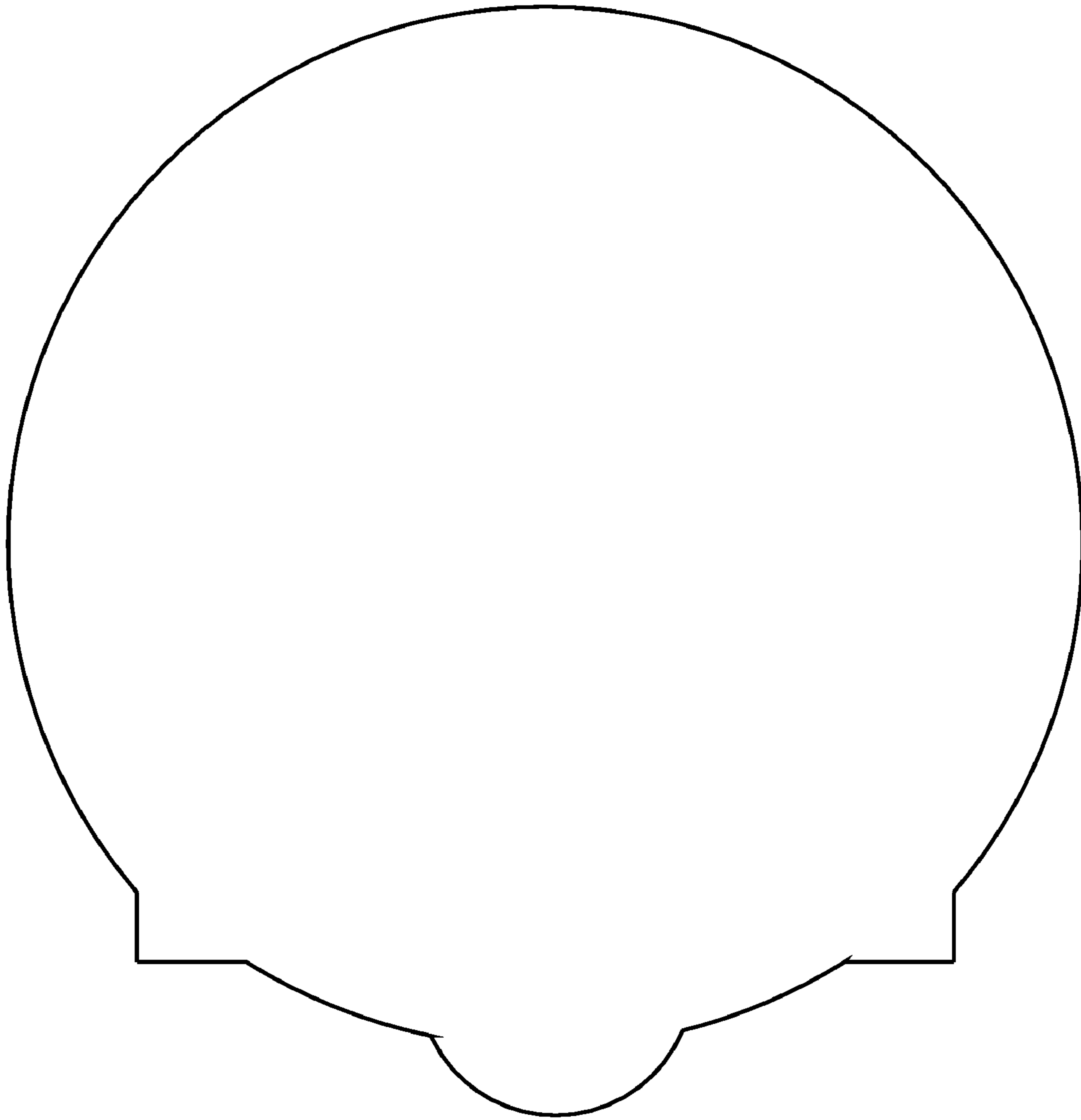


Fig. 5

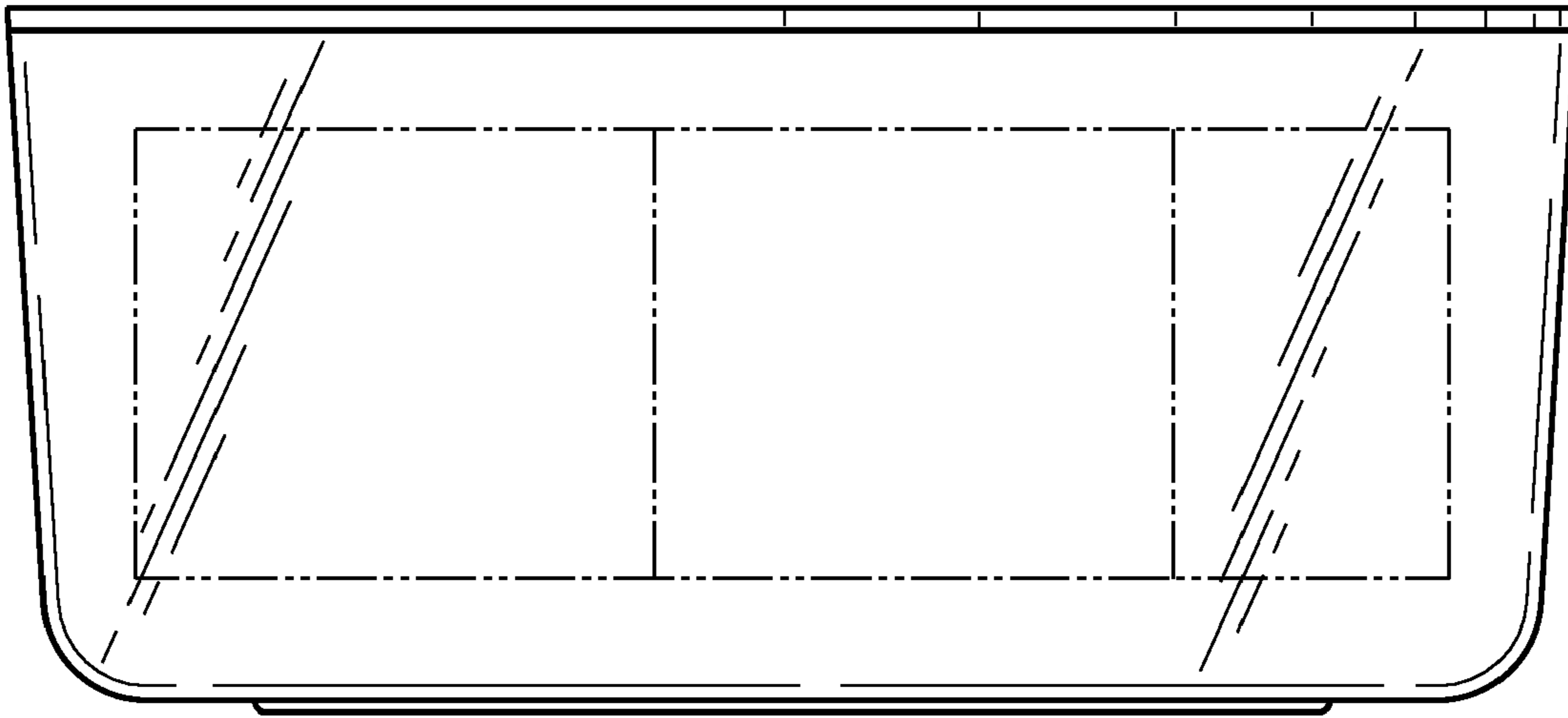


Fig. 6

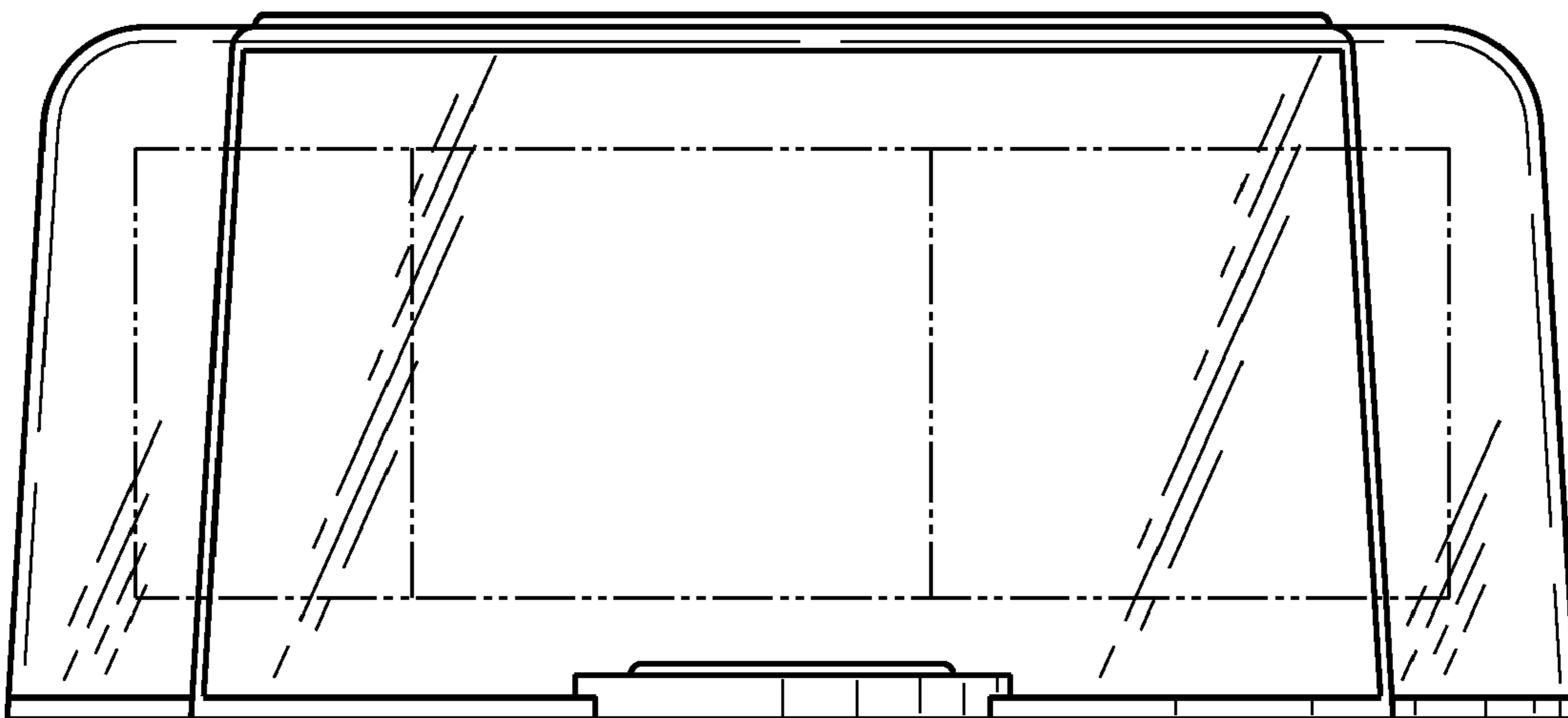


Fig. 7