



US00D556481S

(12) **United States Design Patent**
Harley

(10) **Patent No.:** **US D556,481 S**

(45) **Date of Patent:** **** Dec. 4, 2007**

(54) **CHAIR BACK**

(75) Inventor: **Alex Harley**, Etobicoke (CA)

(73) Assignee: **Allseating Corporation**, Mississauga,
Ontario (CA)

(**) Term: **14 Years**

(21) Appl. No.: **29/274,607**

(22) Filed: **May 9, 2007**

(51) **LOC (8) Cl.** **06-06**

(52) **U.S. Cl.** **D6/502; D6/366**

(58) **Field of Classification Search** D6/334-336,
D6/364, 367, 369, 374, 379, 380, 498, 500-502;
297/411.2, 411.27, 411.36, 452.29, 452.3,
297/452.46, 452.56, 452.64

See application file for complete search history.

(56) **References Cited**

U.S. PATENT DOCUMENTS

D476,821 S *	7/2003	Koepke et al.	D6/366
D479,416 S *	9/2003	Raftery	D6/502
D485,097 S *	1/2004	Raftery	D6/502
D493,627 S *	8/2004	Ma	D6/366
D506,894 S *	7/2005	Harley	D6/502
D507,124 S *	7/2005	Yang	D6/366
D514,832 S *	2/2006	Tsai	D6/366

D534,384 S *	1/2007	Su	D6/502
D539,578 S *	4/2007	Chen	D6/502
D540,079 S *	4/2007	Bock	D6/502
D540,578 S *	4/2007	Chen	D6/502
D541,063 S *	4/2007	Su	D6/366
D548,994 S *	8/2007	Mao	D6/366

* cited by examiner

Primary Examiner—Mimosa De

(74) *Attorney, Agent, or Firm*—Miller Thomson LLP

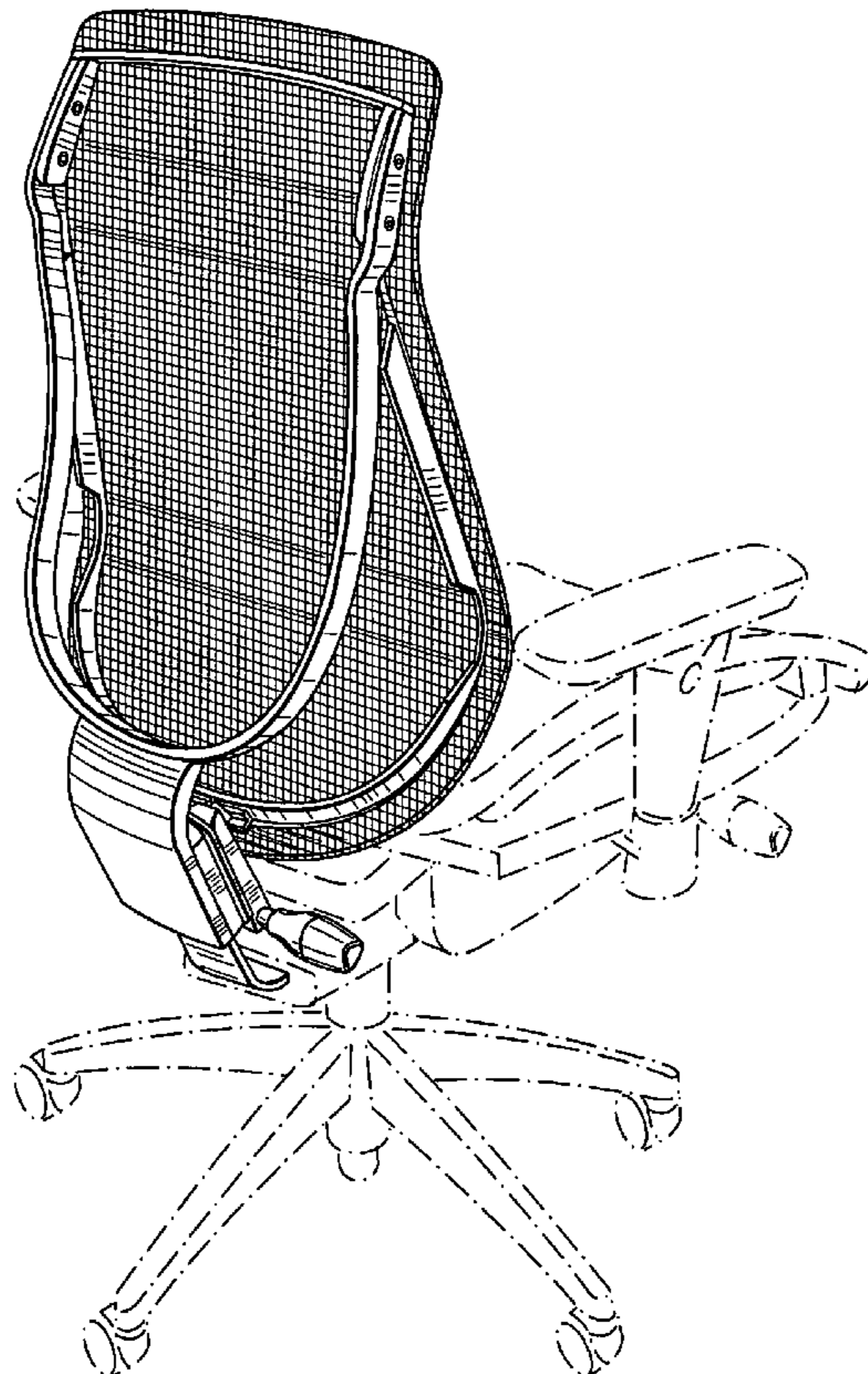
(57) **CLAIM**

The ornamental design for the chair back, as shown and described.

DESCRIPTION

FIG. 1 is a front perspective view of the chair back;
FIG. 2 is a back perspective view of the chair back;
FIG. 3 is a right side view of the chair back;
FIG. 4 is a left side view of the chair back;
FIG. 5 is a front view of the chair back;
FIG. 6 is a back view of the chair back;
FIG. 7 is a top view of the chair back; and,
FIG. 8 is a bottom view of the chair back.

1 Claim, 5 Drawing Sheets



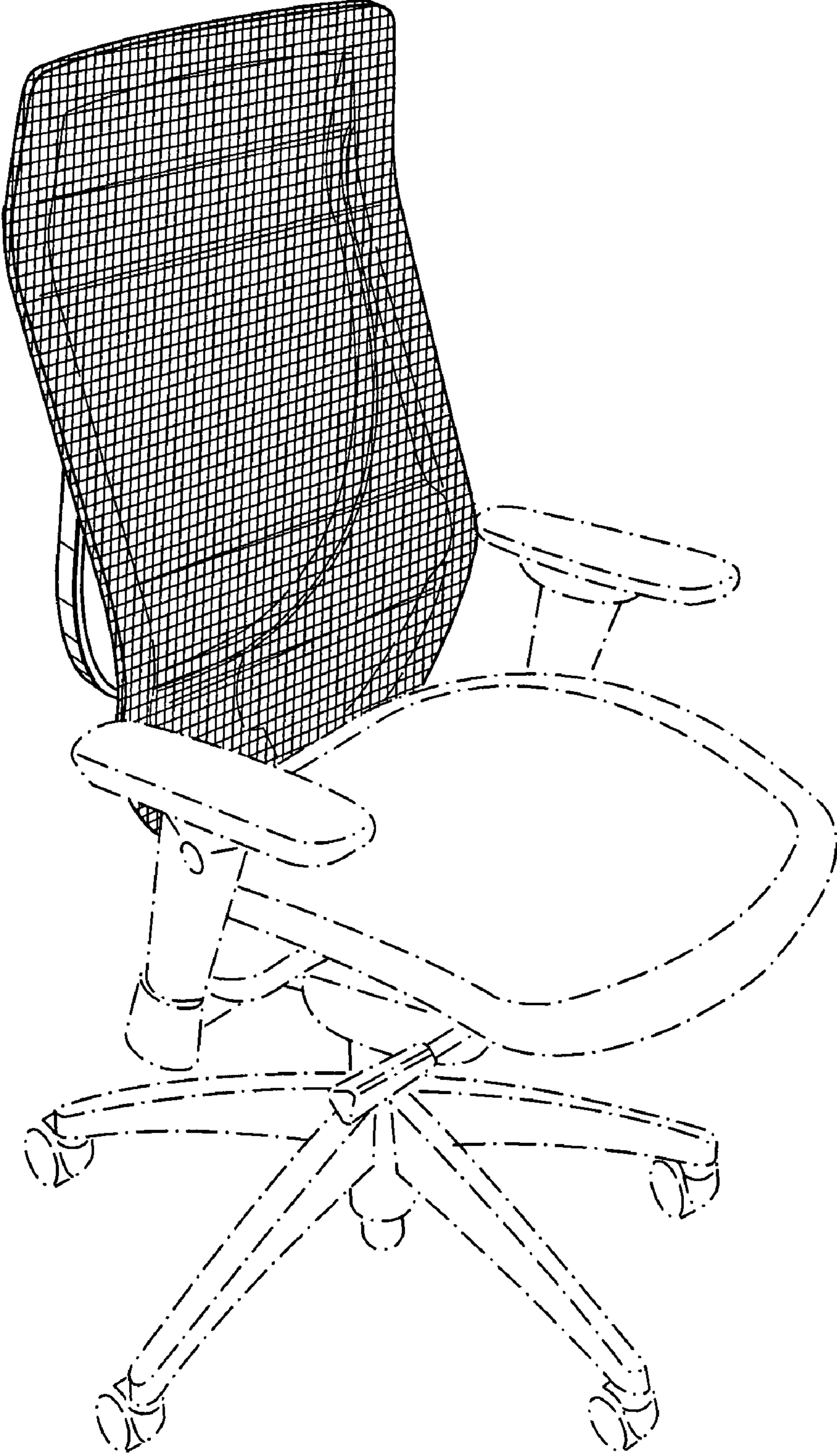


FIG. 1

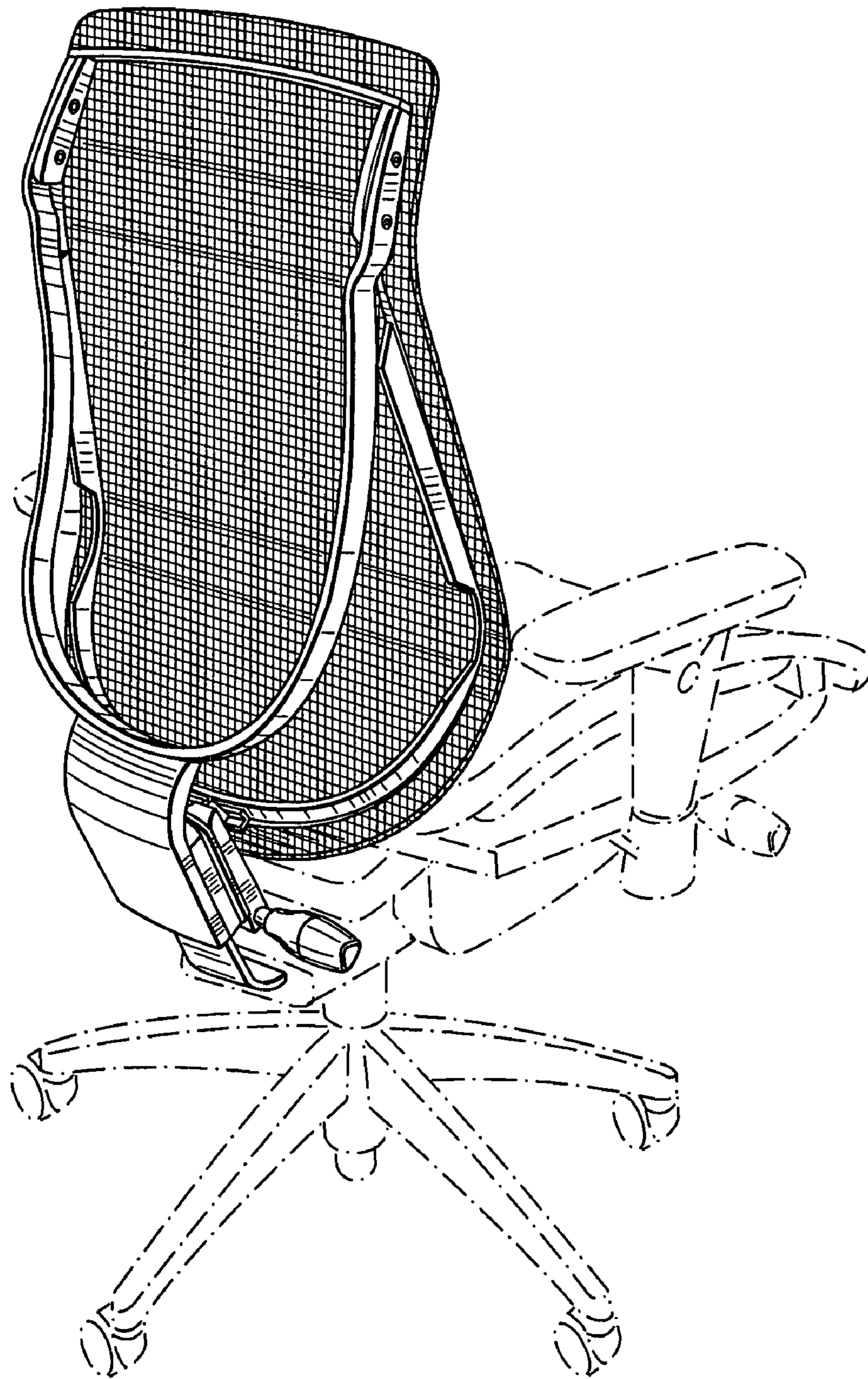


FIG. 2

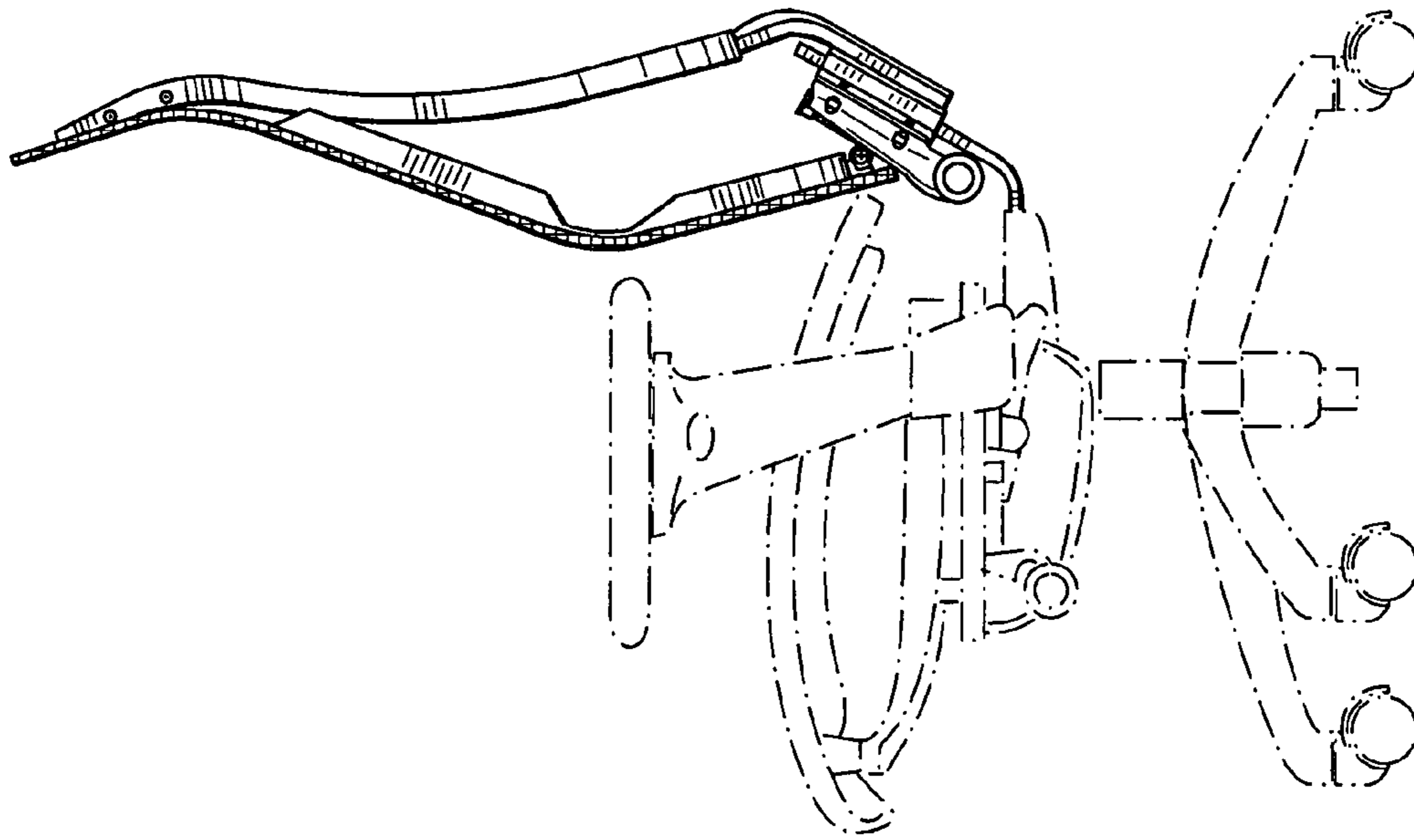


FIG. 5

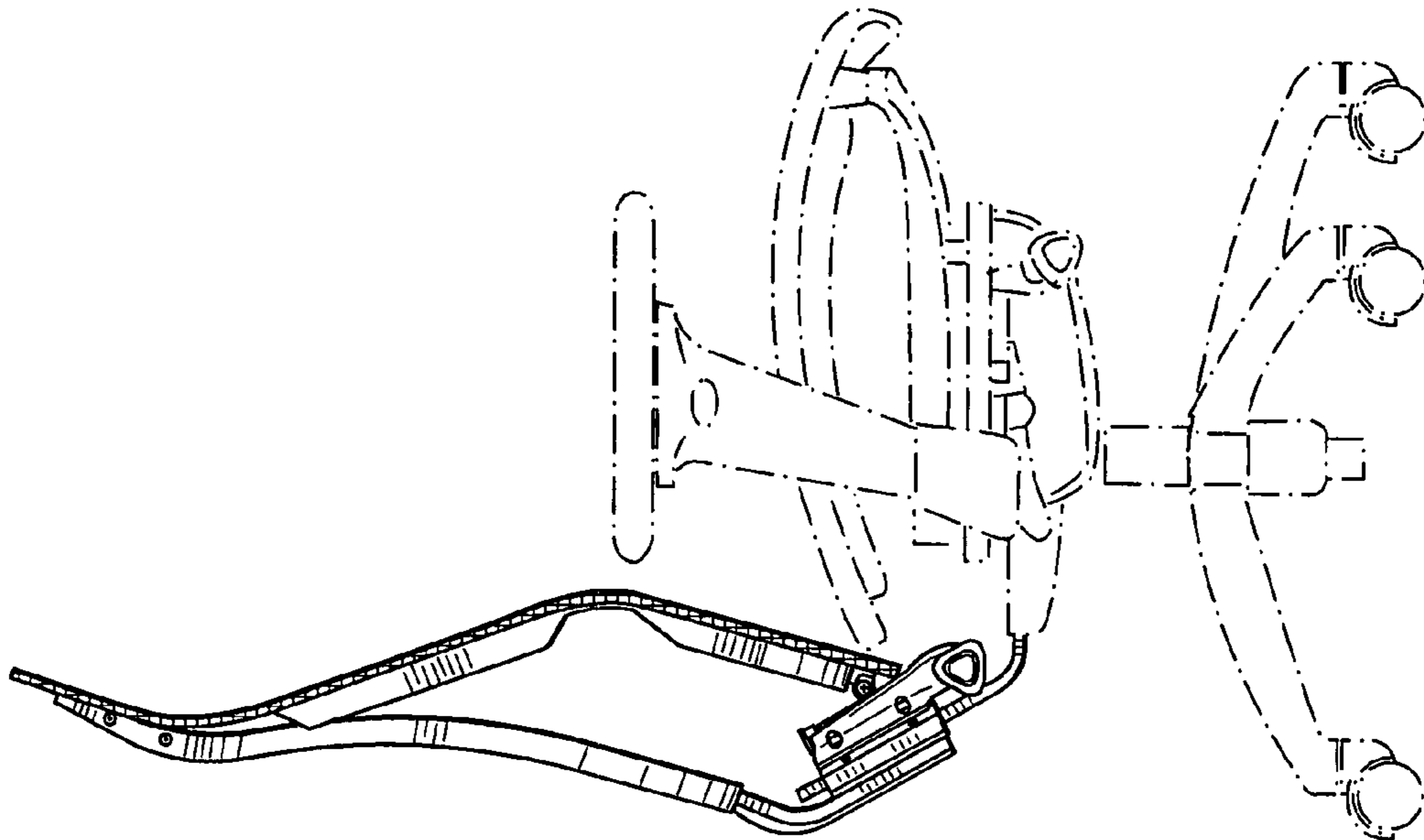


FIG. 3

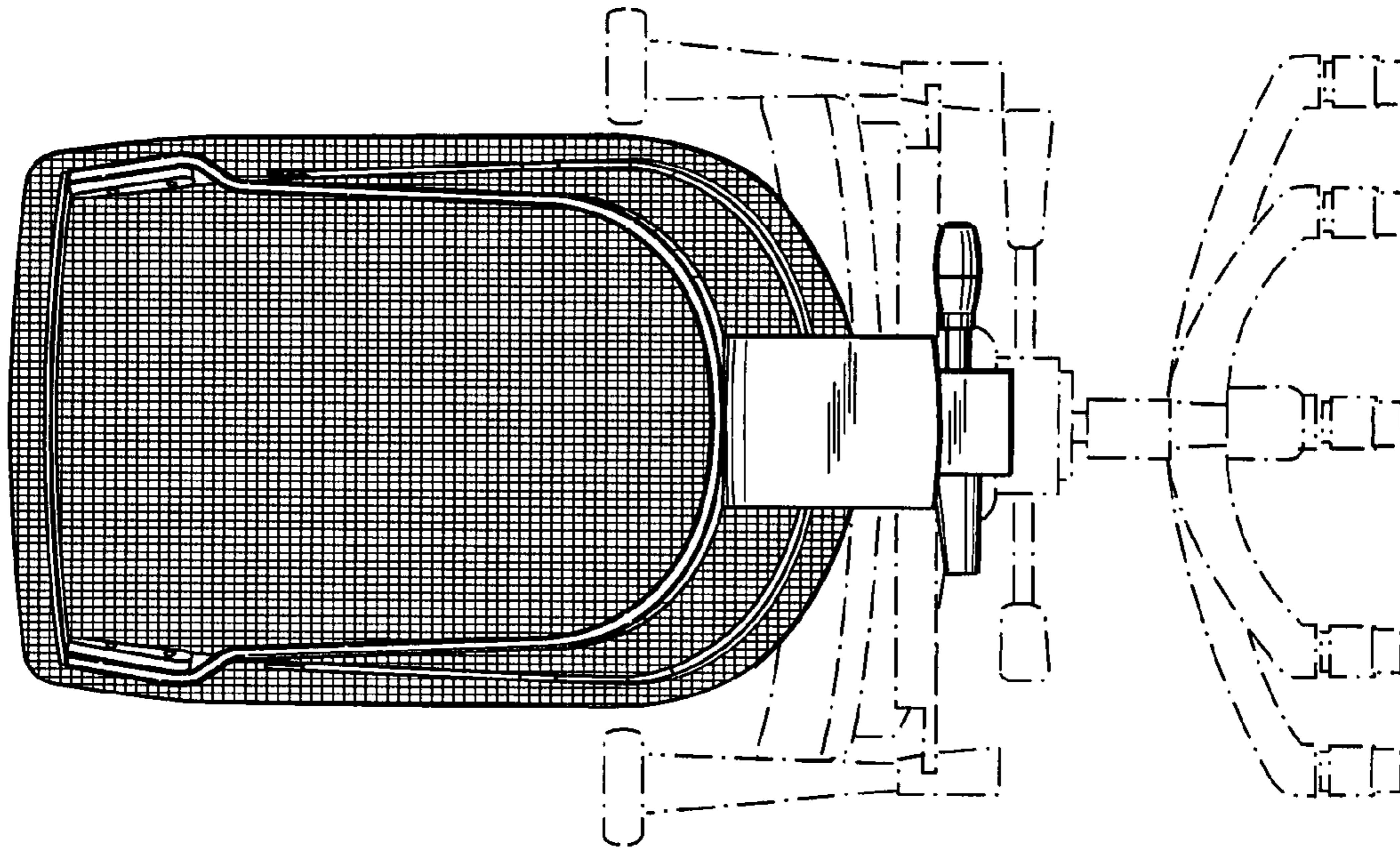


FIG. 6

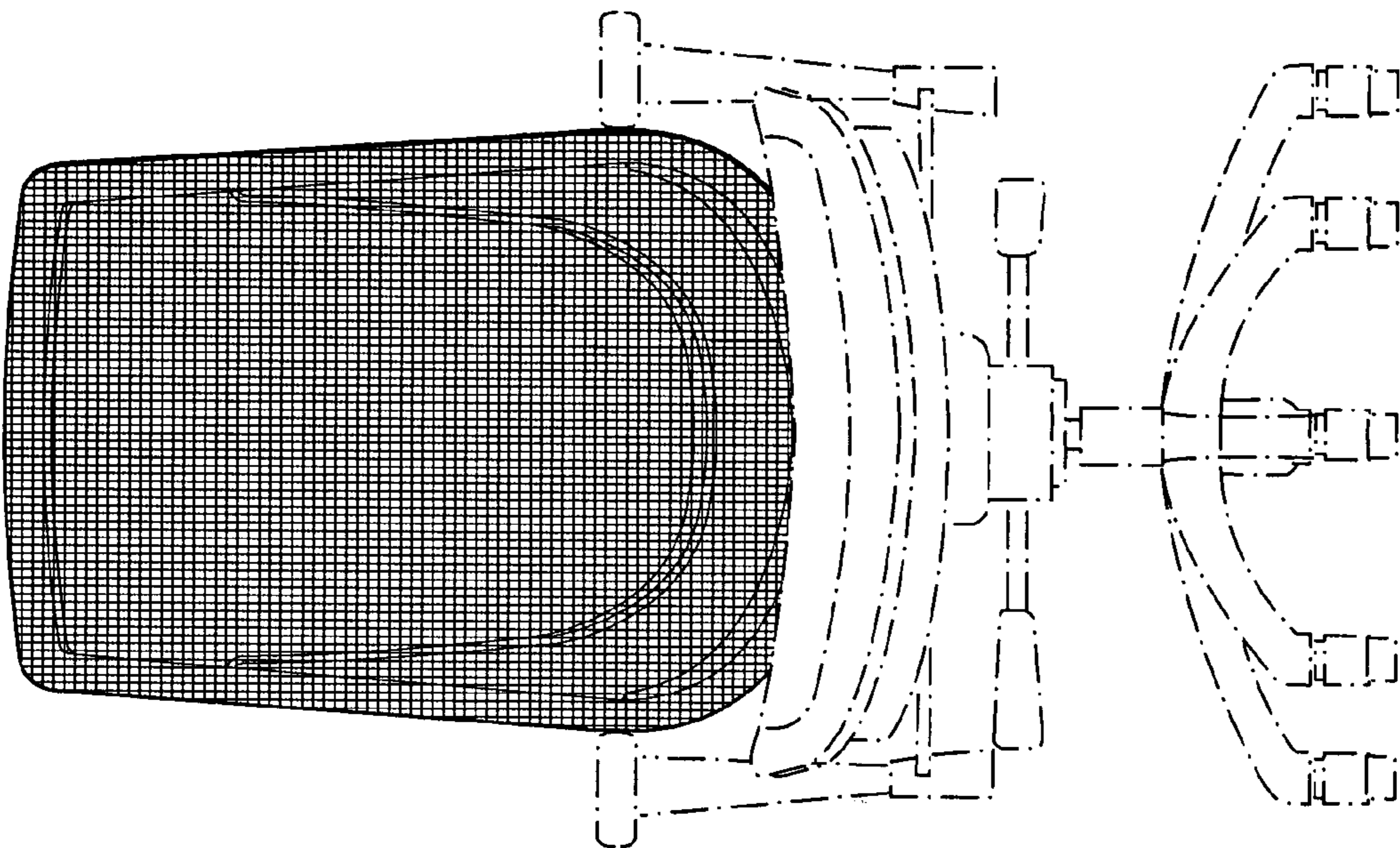


FIG. 4

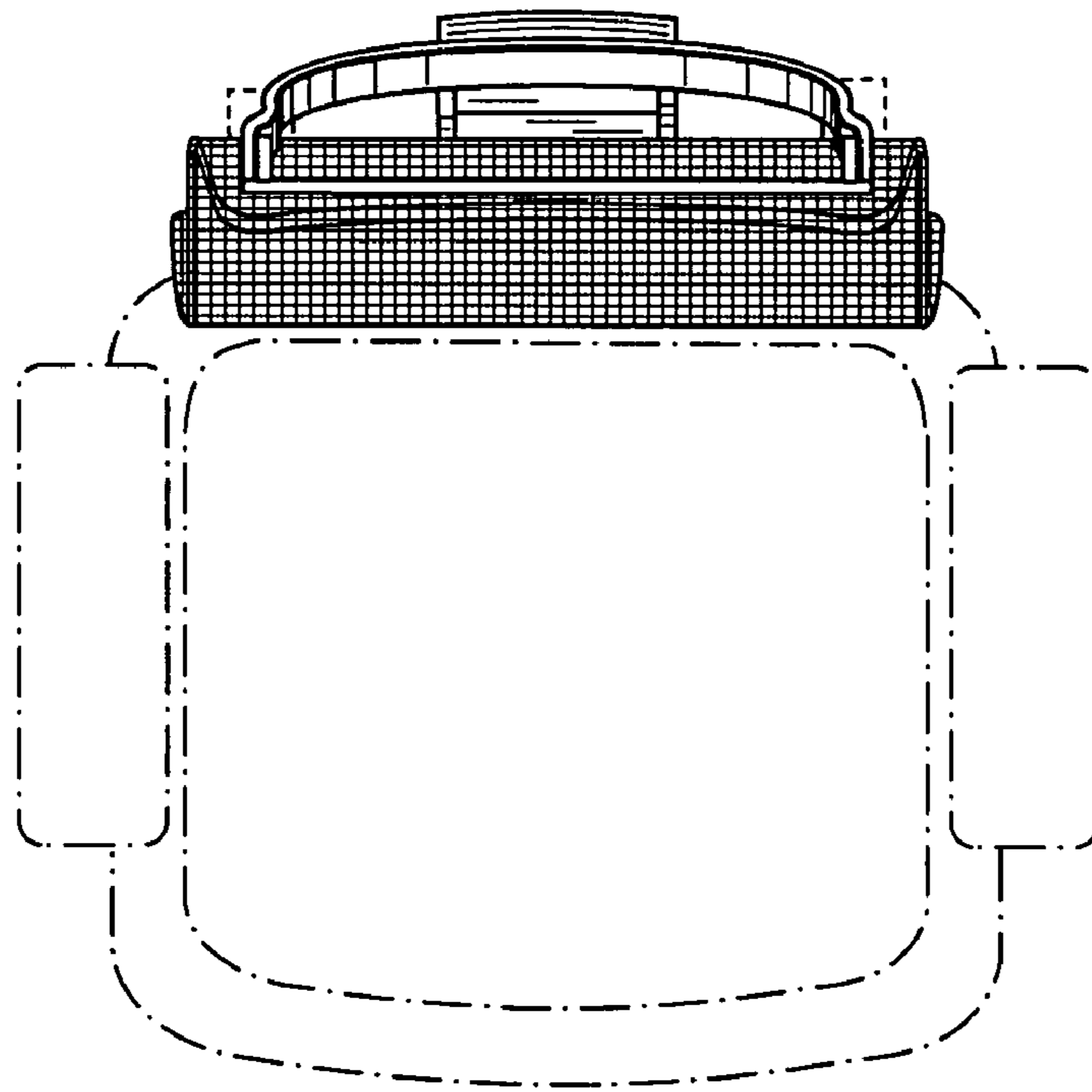


FIG. 7

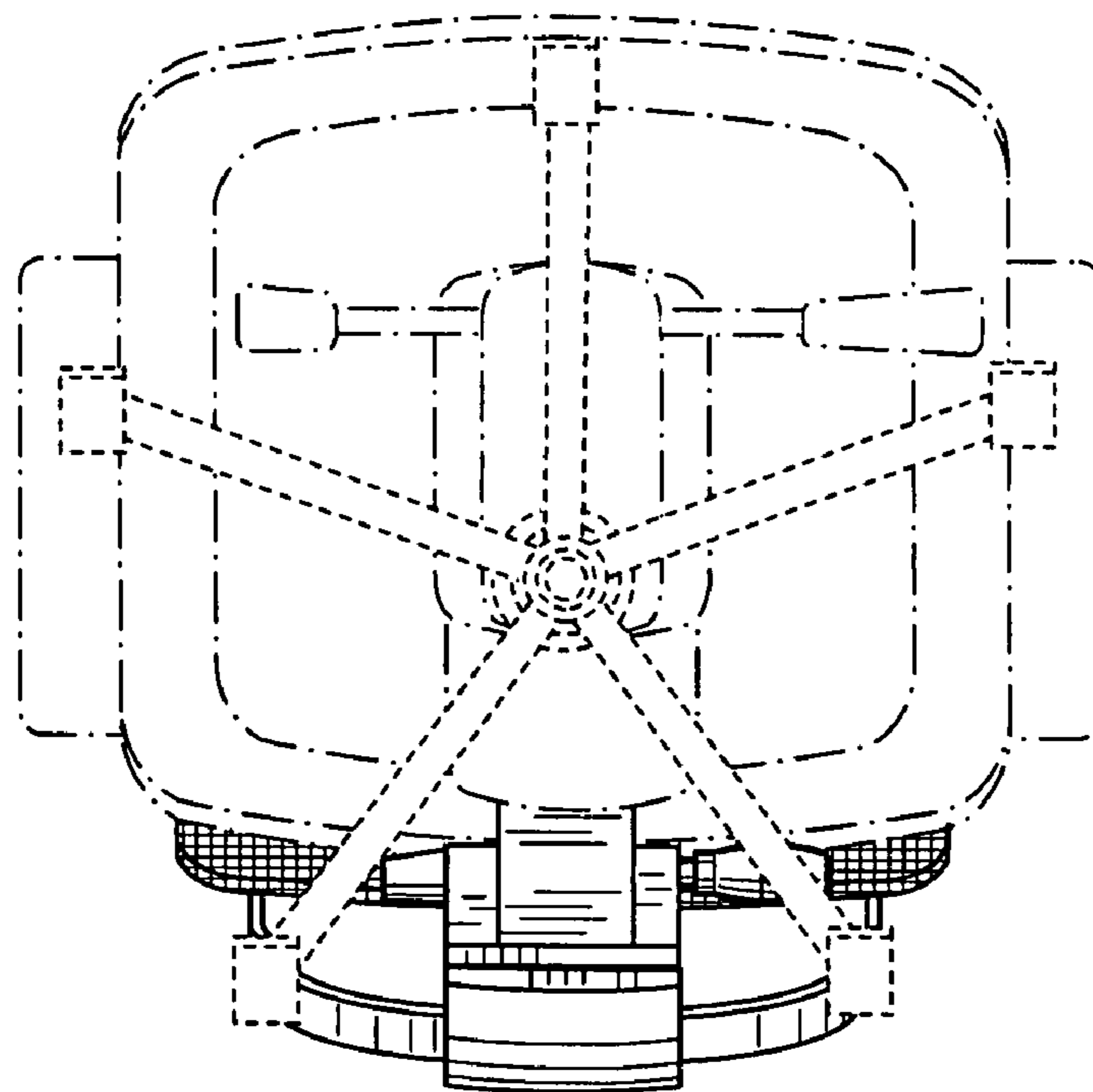


FIG. 8