



US00D556479S

(12) **United States Design Patent**
Tsai

(10) **Patent No.:** **US D556,479 S**

(45) **Date of Patent:** **** Dec. 4, 2007**

(54) **ARMREST**

D505,799 S * 6/2005 Huang D6/366
D530,935 S * 10/2006 Huang D6/366

(75) Inventor: **Hsuan-Chin Tsai**, Chai-Yi Hsien (TW)

* cited by examiner

(73) Assignee: **Fuh Shyan Co., Ltd.**, Chai-Yi Hsien (TW)

Primary Examiner—Mimosa De
(74) *Attorney, Agent, or Firm*—Alan Kamrath; Kamrath & Associates P.A.

(**) Term: **14 Years**

(21) Appl. No.: **29/278,386**

(57) **CLAIM**

(22) Filed: **Mar. 28, 2007**

The ornamental design for an armrest, as shown and described.

(51) **LOC (8) Cl.** **06-06**

(52) **U.S. Cl.** **D6/501; D6/366**

(58) **Field of Classification Search** D6/334-336,
D6/364, 365, 366, 367, 379, 491, 500-502;
297/411.2, 411.27, 411.28, 411.4, 463.1
See application file for complete search history.

DESCRIPTION

FIG. 1 is a perspective view of an armrest showing my new design;

FIG. 2 is a front view thereof;

FIG. 3 is a rear view thereof;

FIG. 4 is a left side elevational view thereof;

FIG. 5 is a right side elevational view thereof;

FIG. 6 is a top view thereof; and,

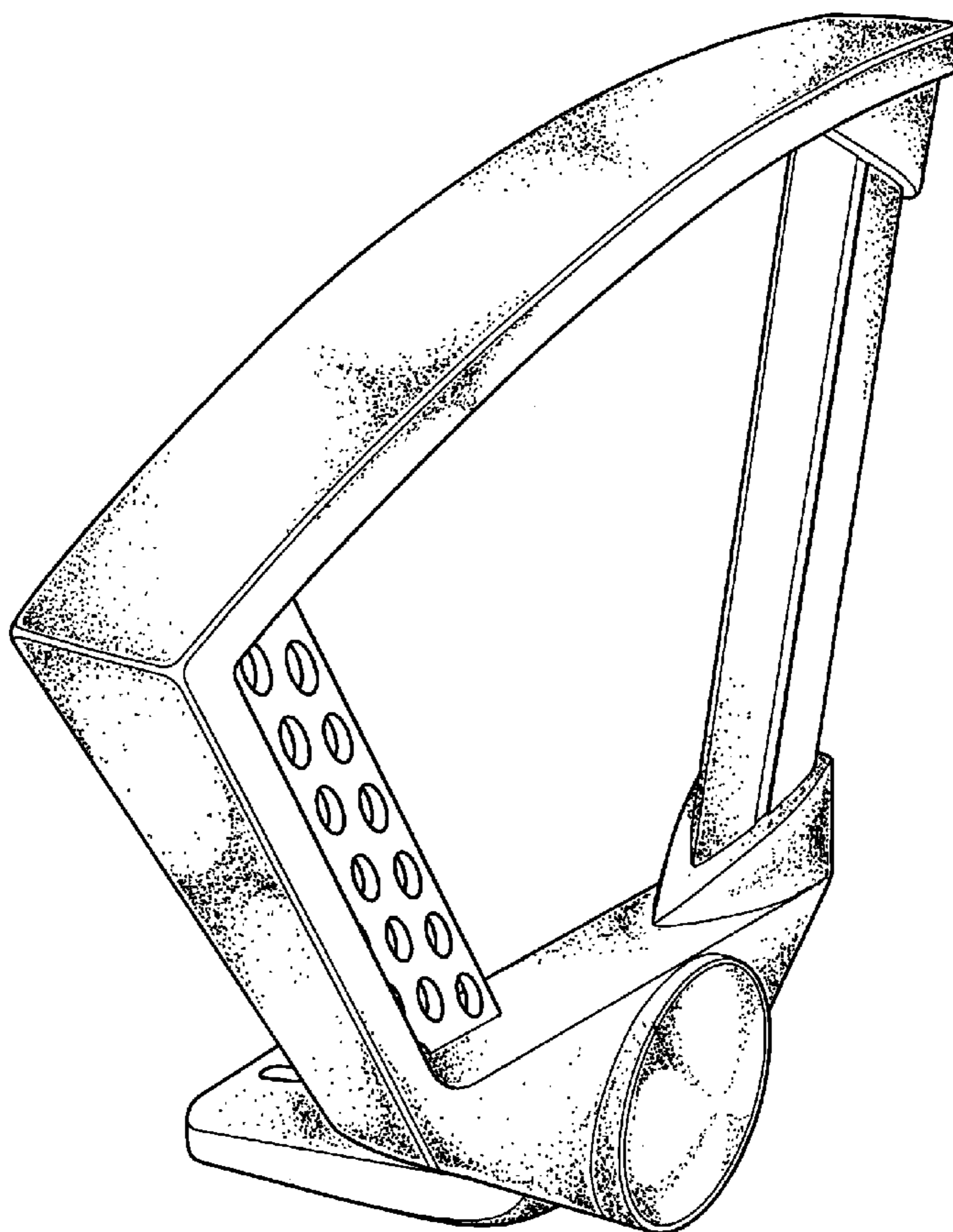
FIG. 7 is a bottom view thereof.

(56) **References Cited**

U.S. PATENT DOCUMENTS

D408,182 S * 4/1999 Tseng D6/501
D441,993 S * 5/2001 Lin D6/500
D446,410 S * 8/2001 Chen D6/500
D458,061 S * 6/2002 Lee D6/501

1 Claim, 7 Drawing Sheets



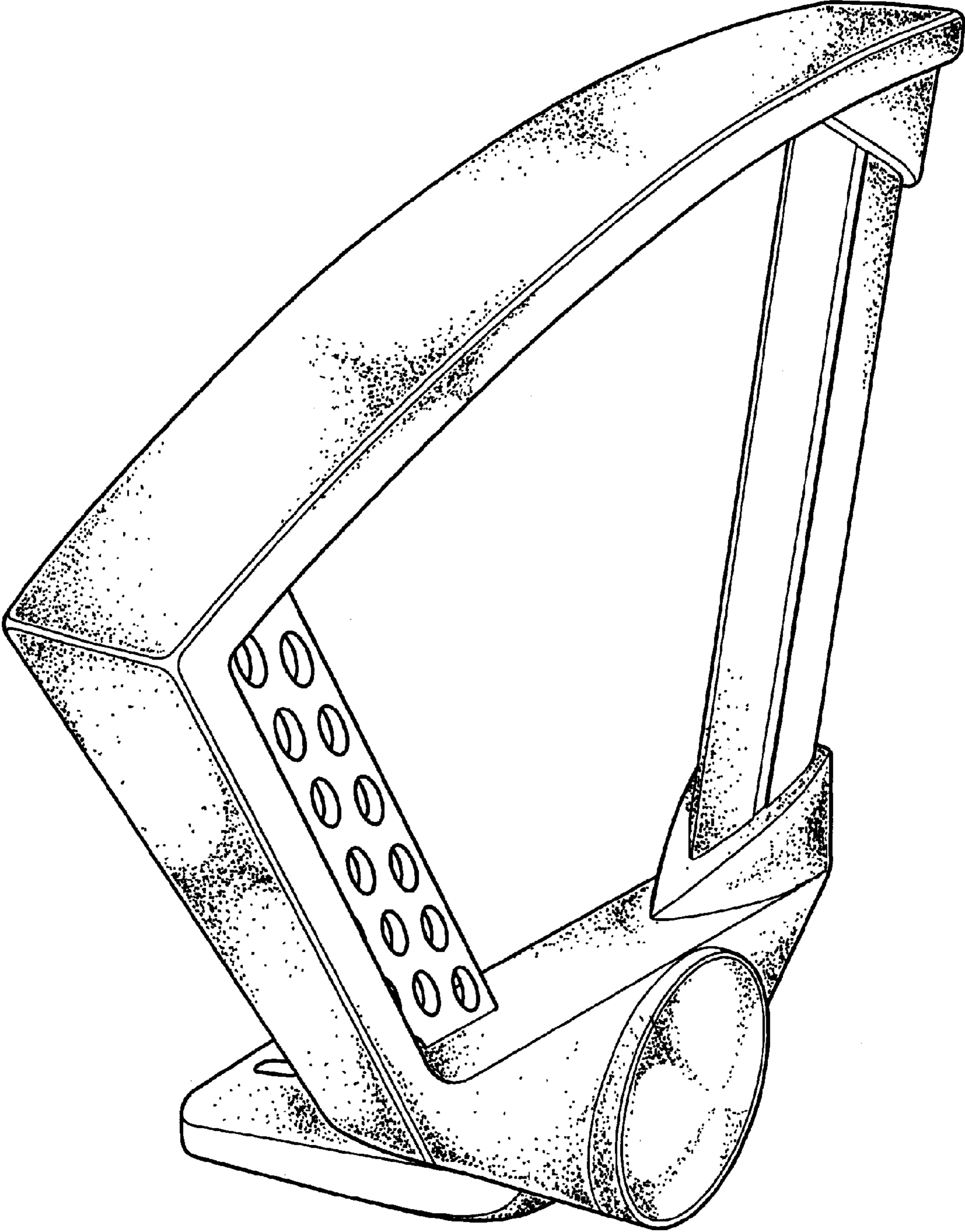


FIG. 1

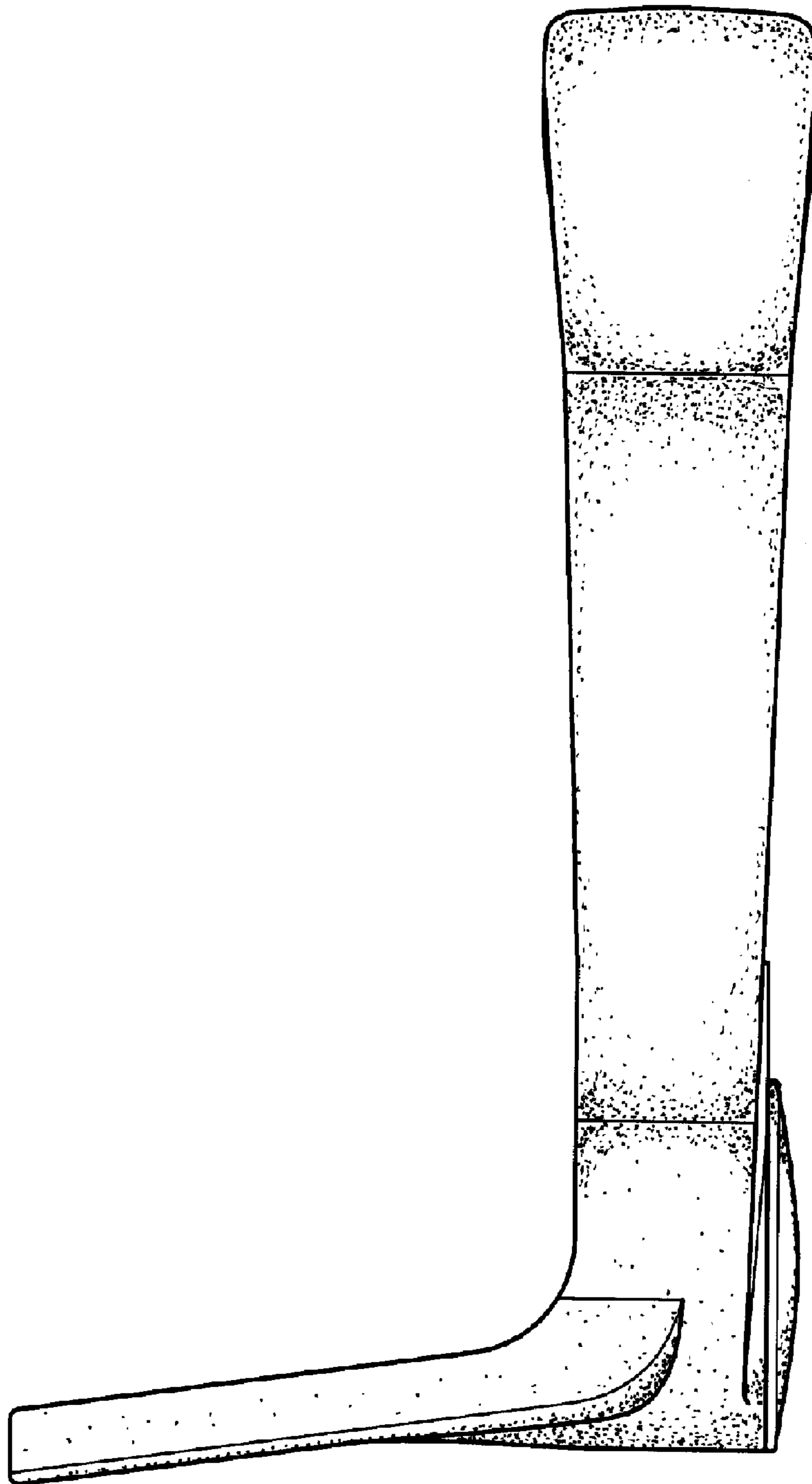


FIG. 2

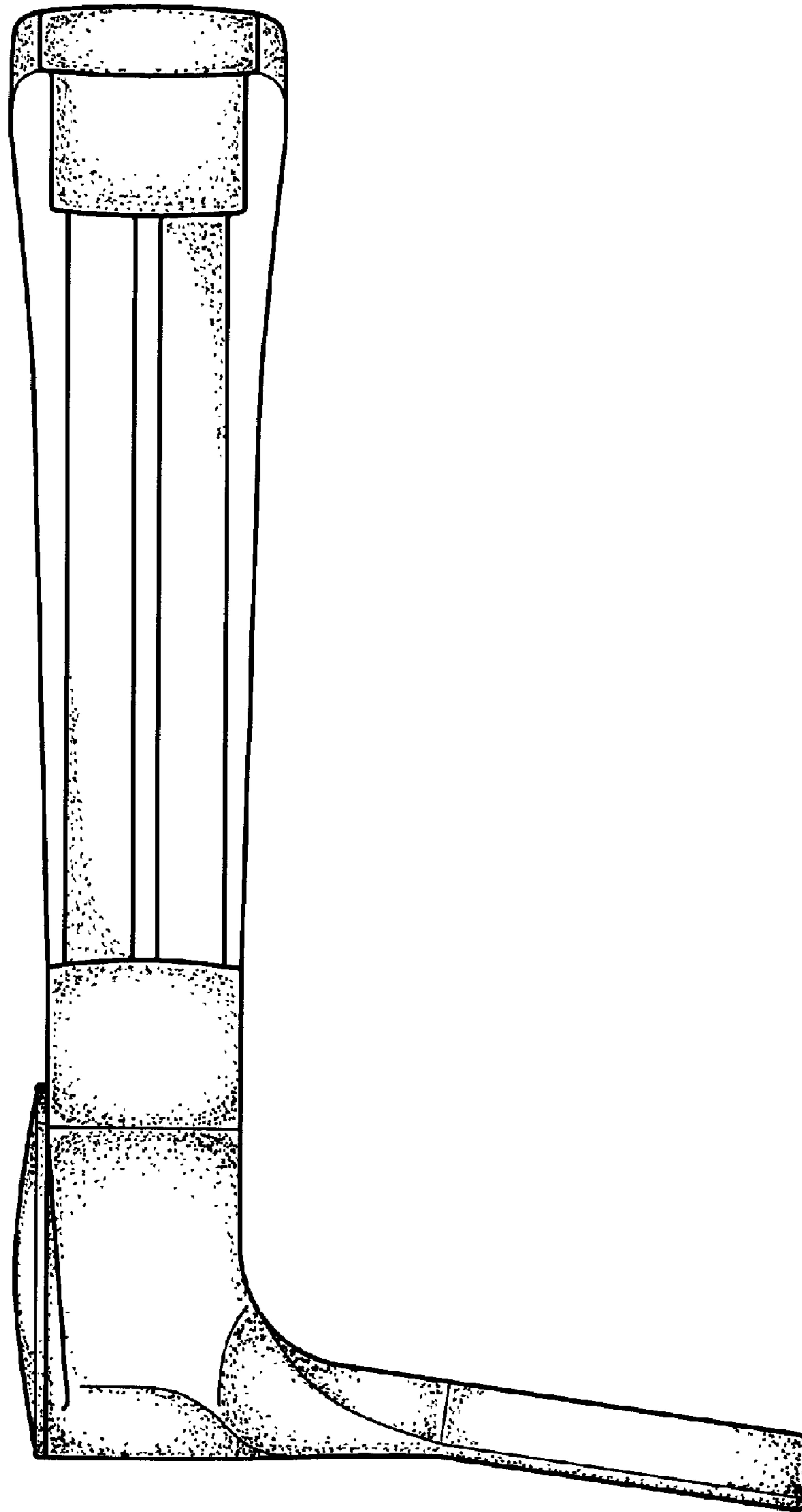


FIG. 3

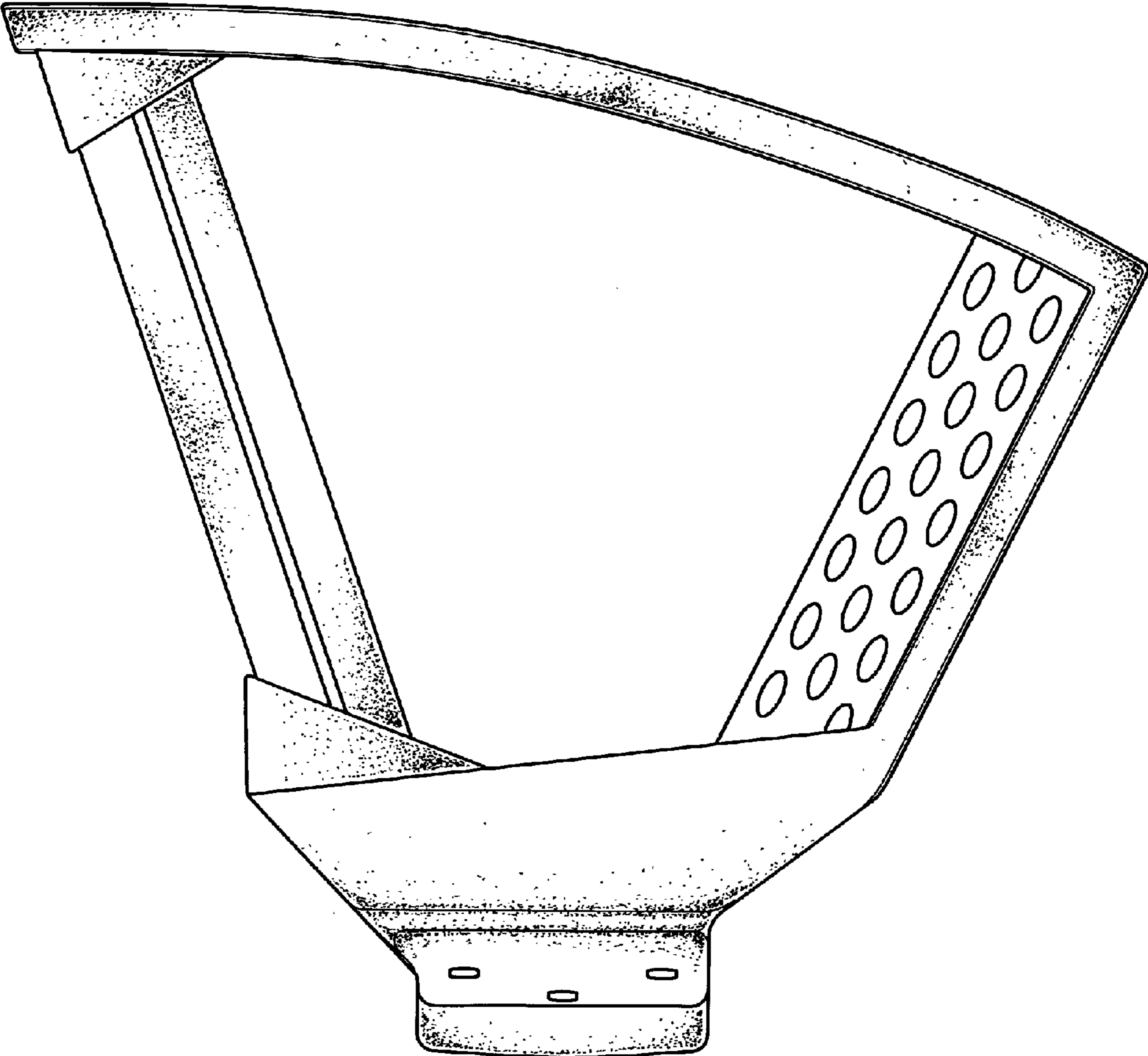


FIG. 4

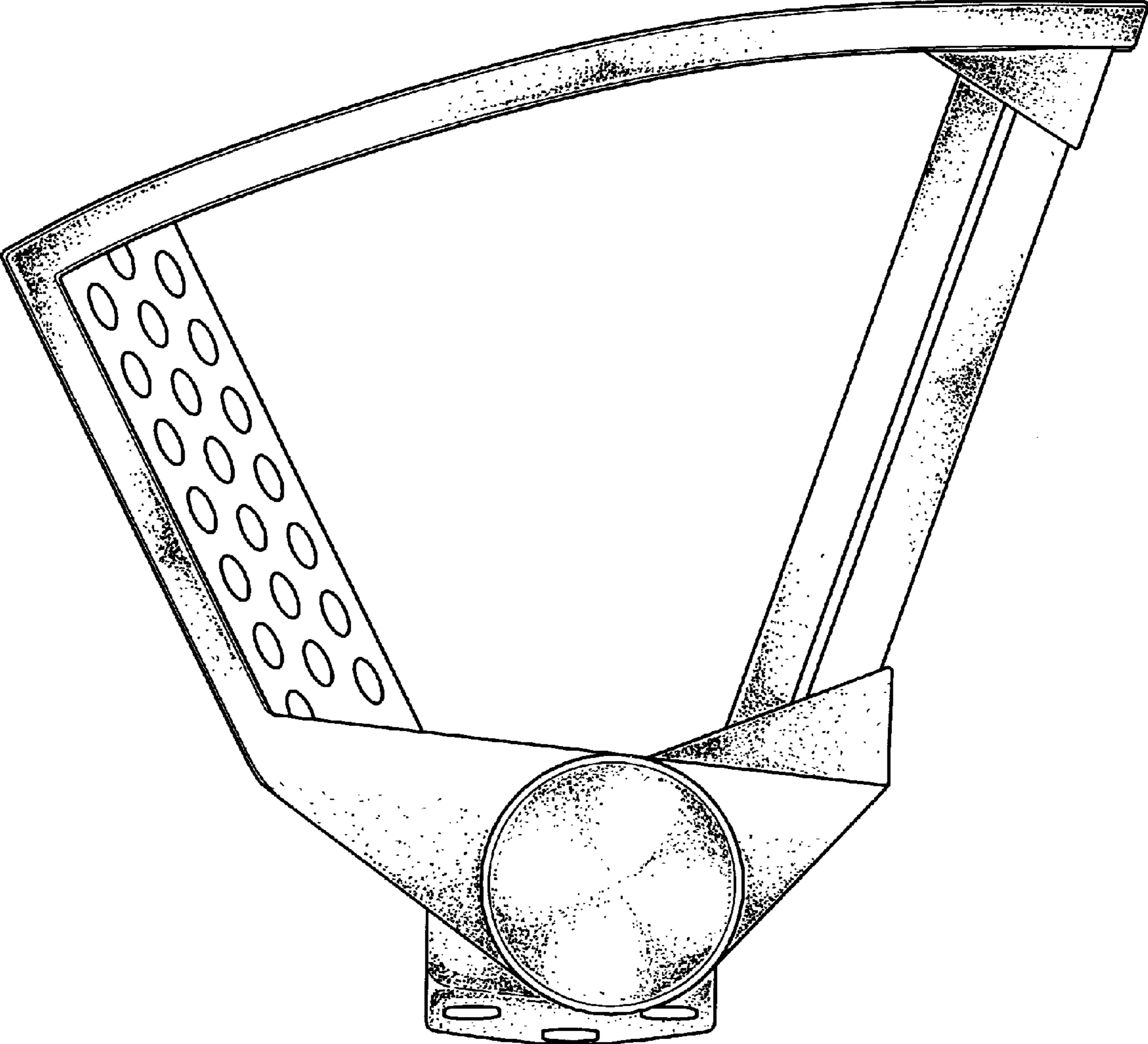


FIG. 5

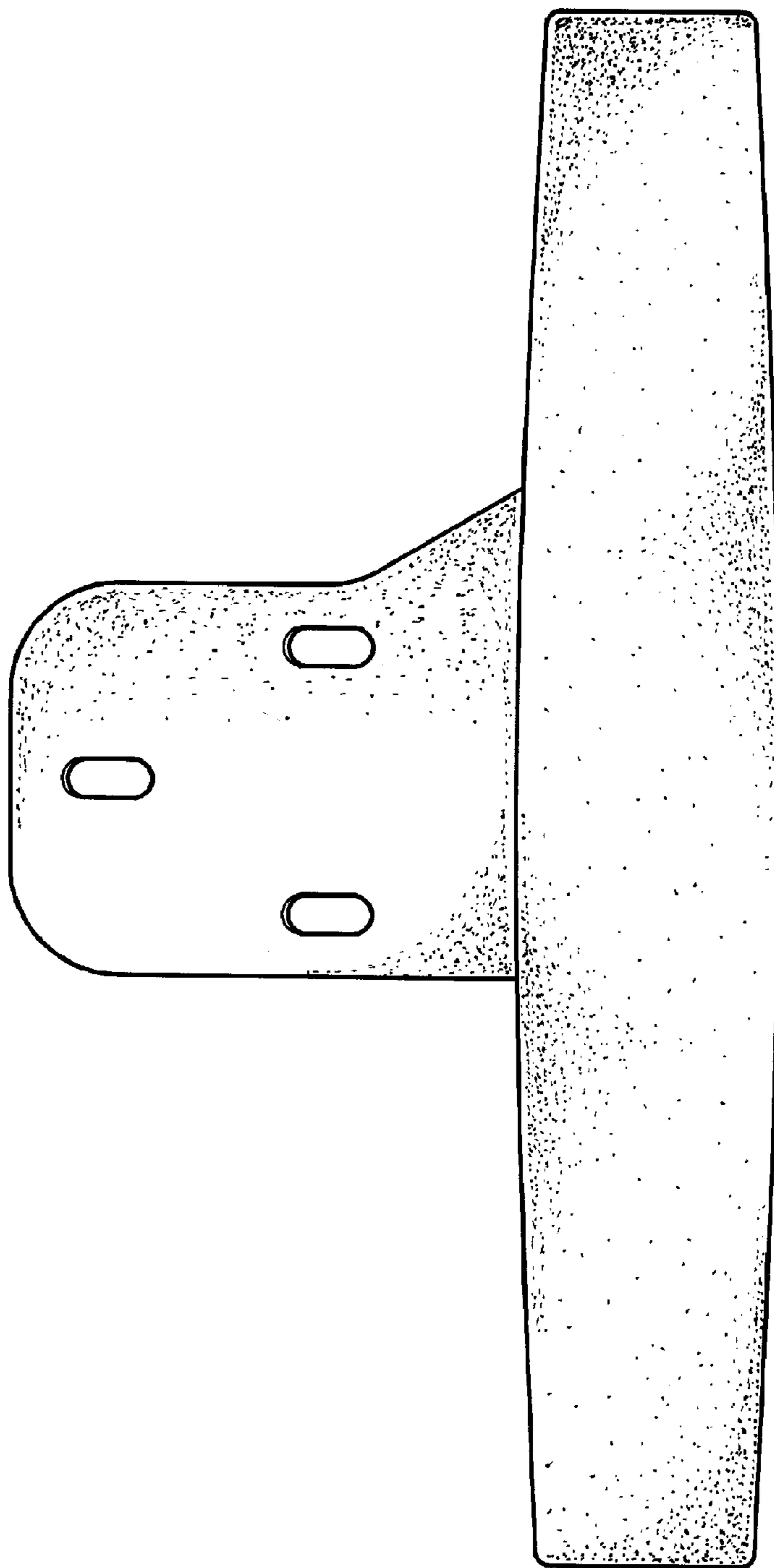


FIG. 6

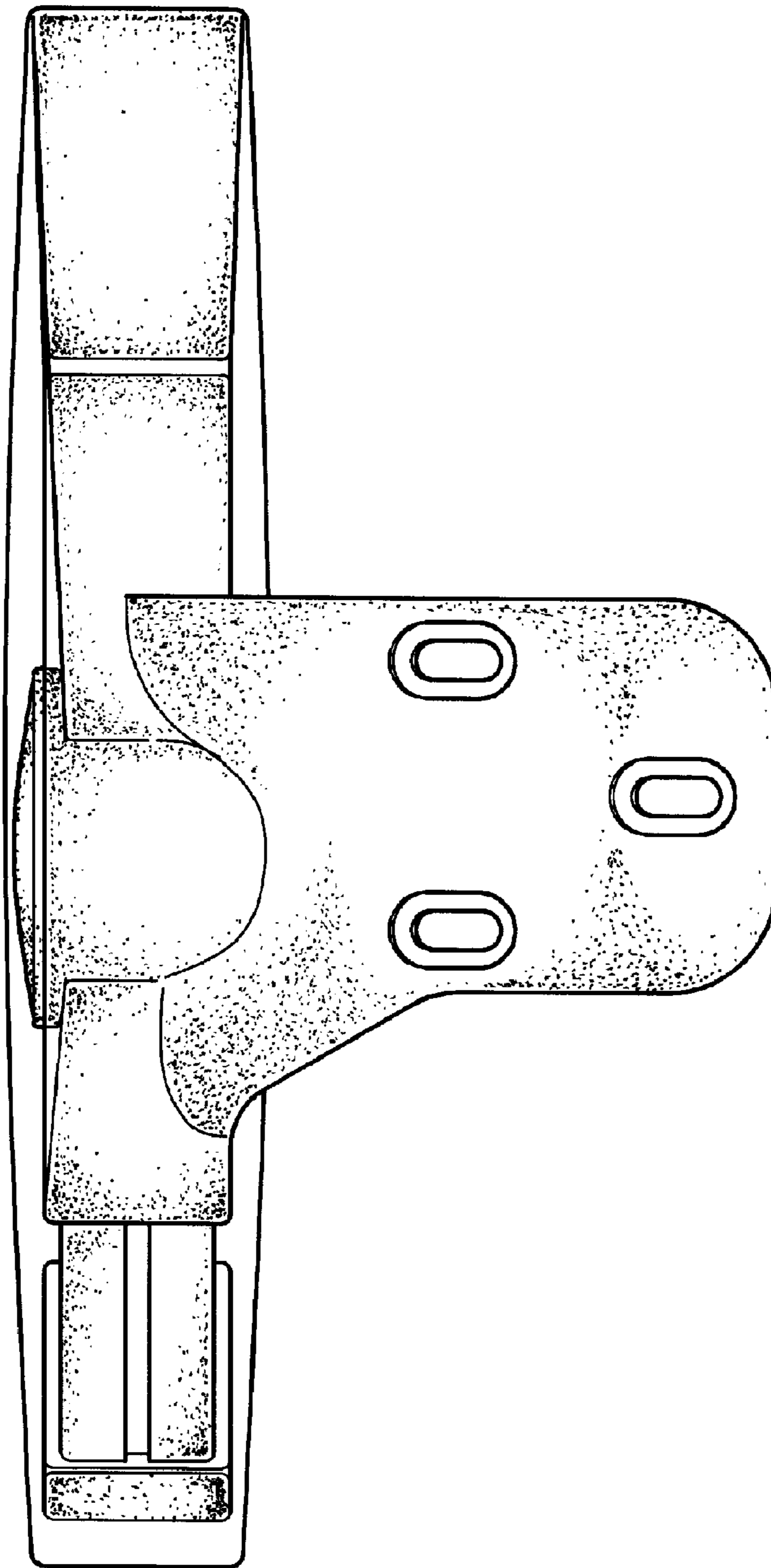


FIG. 7