

US00D556475S

(12) **United States Design Patent**
Butler et al.

(10) **Patent No.:** **US D556,475 S**

(45) **Date of Patent:** **** Dec. 4, 2007**

(54) **ORGANIZER**

(75) Inventors: **Margaret Butler**, Raleigh, NC (US);
Sean Campbell, Raleigh, NC (US);
Manoj Mistry, Raleigh, NC (US);
Anthony Annibale, Raleigh, NC (US);
Melanie C. Sifuentes, Columbia, MD
(US); **Xiao Gang Guo**, Greensburg, PA
(US)

(73) Assignee: **Newell Operating Company**, Atlanta,
GA (US)

(**) Term: **14 Years**

(21) Appl. No.: **29/275,047**

(22) Filed: **Dec. 11, 2006**

(51) **LOC (8) Cl.** **06-06**

(52) **U.S. Cl.** **D6/491; D6/462**

(58) **Field of Classification Search** D6/449,
D6/491, 458, 461-468, 510; D3/306; 206/507,
206/513; 211/126.8, 126.9, 126.14, 133.2,
211/133.5, 181.1; 312/330.1, 348.4
See application file for complete search history.

(56) **References Cited**

U.S. PATENT DOCUMENTS

2,643,167 A	6/1953	Wade	
2,822,229 A	2/1958	Carlson	
2,919,966 A	1/1960	Preston	
3,018,002 A *	1/1962	Glezen	211/126.8
3,114,459 A	12/1963	Kersting	
3,338,466 A *	8/1967	Hare et al.	206/507
3,387,855 A *	6/1968	Oliver	211/133.2
3,409,163 A *	11/1968	Lockwood	211/126.8
D243,042 S	1/1977	Dorn	
4,002,240 A	1/1977	Dorn	
D264,761 S *	6/1982	Dekarski	D3/306
D280,788 S	10/1985	Levin	
4,569,447 A	2/1986	Cifranic	
4,893,885 A	1/1990	Borello	
D323,255 S *	1/1992	Titus	D6/458
D326,946 S *	6/1992	Szuster	D3/306

D360,559 S	7/1995	Grubb et al.
5,437,376 A	8/1995	Larsen
5,586,816 A	12/1996	Geiss, II
D416,169 S	11/1999	Sarnoff et al.
6,161,808 A	12/2000	East et al.

(Continued)

OTHER PUBLICATIONS

AMEROCK, Hide-A-Shelf Hardware Kit catalog sheet.
REV-A-SHELF, LLC, Heavy Duty Mixer Lift catalog sheet.

Primary Examiner—Mimosa De

(74) Attorney, Agent, or Firm—Banner & Witcoff, Ltd.

(57) **CLAIM**

We claim the ornamental design for an organizer, as shown and described.

DESCRIPTION

FIG. 1 is a perspective view of the organizer of the present claimed design;

FIG. 2 is a side view of the organizer shown in FIG. 1, the opposite side view being identical thereto;

FIG. 3 is a top view of the organizer shown in FIG. 1;

FIG. 4 is a rear view of the organizer shown in FIG. 1;

FIG. 5 is a front view of the organizer shown in FIG. 1;

FIG. 6 is bottom view of the organizer shown in FIG. 1;

FIG. 7 is a perspective view of an alternative embodiment of the organizer of the present claimed design;

FIG. 8 is a side view of the organizer shown in FIG. 7, the opposite side view being identical thereto;

FIG. 9 is a top view of the organizer shown in FIG. 7;

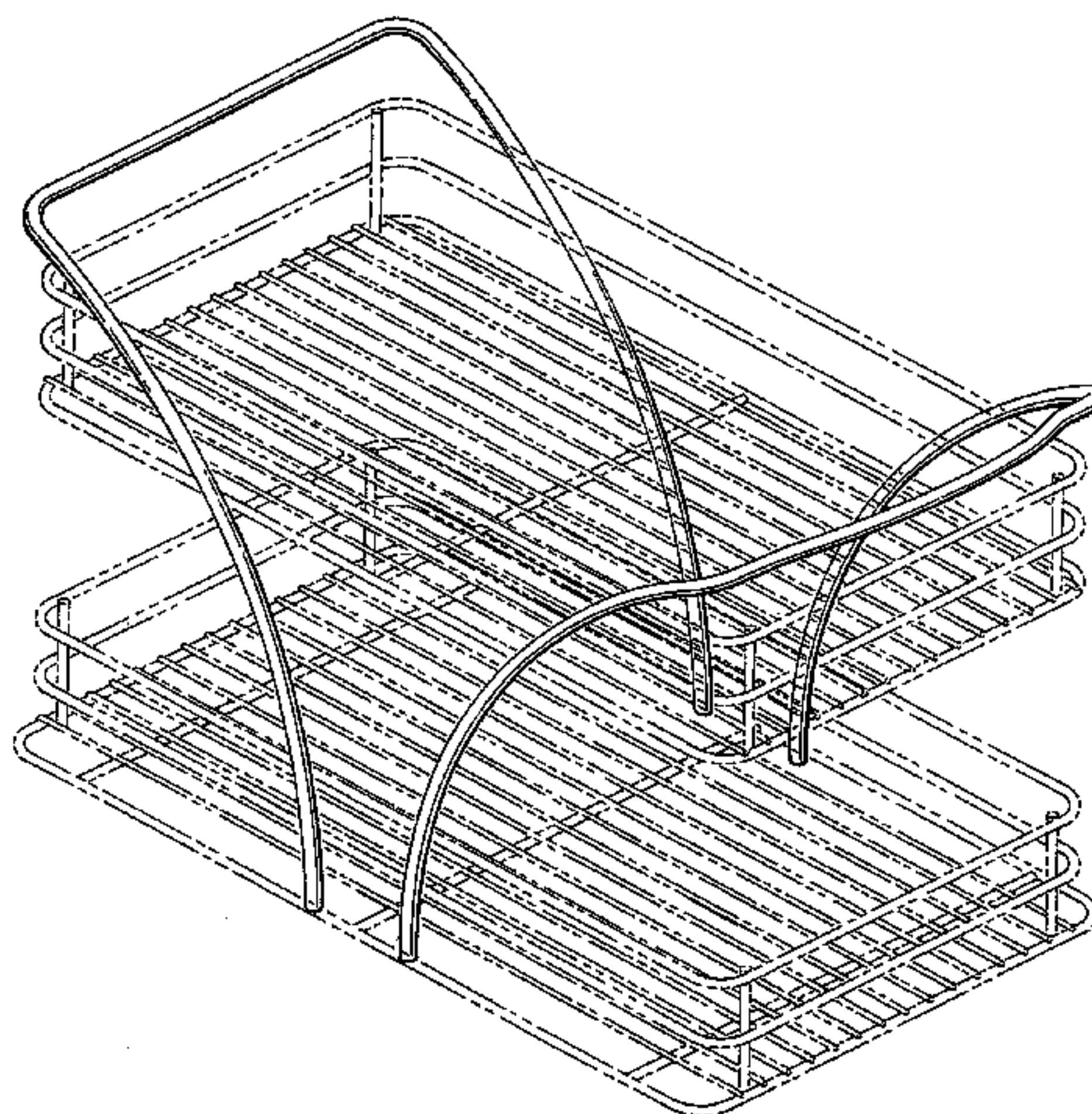
FIG. 10 is a rear view of the organizer shown in FIG. 7;

FIG. 11 is a front view of the organizer shown in FIG. 7; and,

FIG. 12 is a bottom view of the organizer shown in FIG. 7.

Features shown in broken lines in the drawings are not part of the claim.

1 Claim, 6 Drawing Sheets



US D556,475 S

Page 2

U.S. PATENT DOCUMENTS					
			D532,216 S *	11/2006	Calabria et al. D6/462
			D532,993 S *	12/2006	Calabria et al. D6/462
6,520,354 B1	2/2003	Skvorecz	2003/0034318 A1	2/2003	Skvorecz
6,595,475 B2	7/2003	Svabek et al.	2004/0066121 A1	4/2004	Steadman
D485,706 S	1/2004	O'Connell Cooper et al.	2005/0006994 A1	1/2005	Rapier, III
D486,008 S	2/2004	Pospisil et al.	2005/0023230 A1	2/2005	Lin
6,702,411 B2	3/2004	Helver	2005/0218274 A1	10/2005	Skvorecz
6,969,133 B2 *	11/2005	Compagnucci 312/348.4	2005/0269921 A1 *	12/2005	Remmers 312/330.1
D514,354 S	2/2006	Nix et al.			
D532,215 S *	11/2006	Calabria et al. D6/462			

* cited by examiner

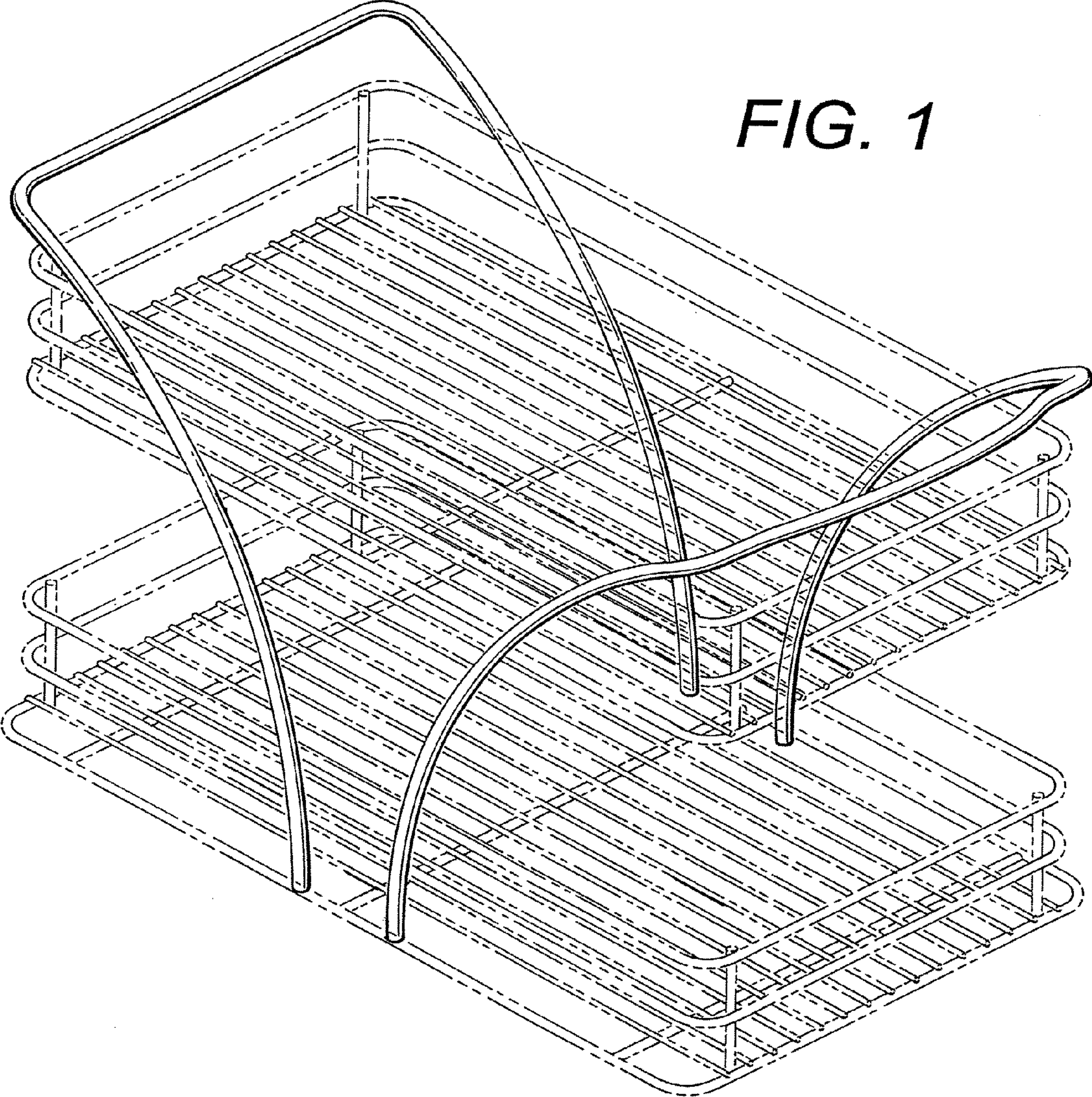


FIG. 1

FIG. 2

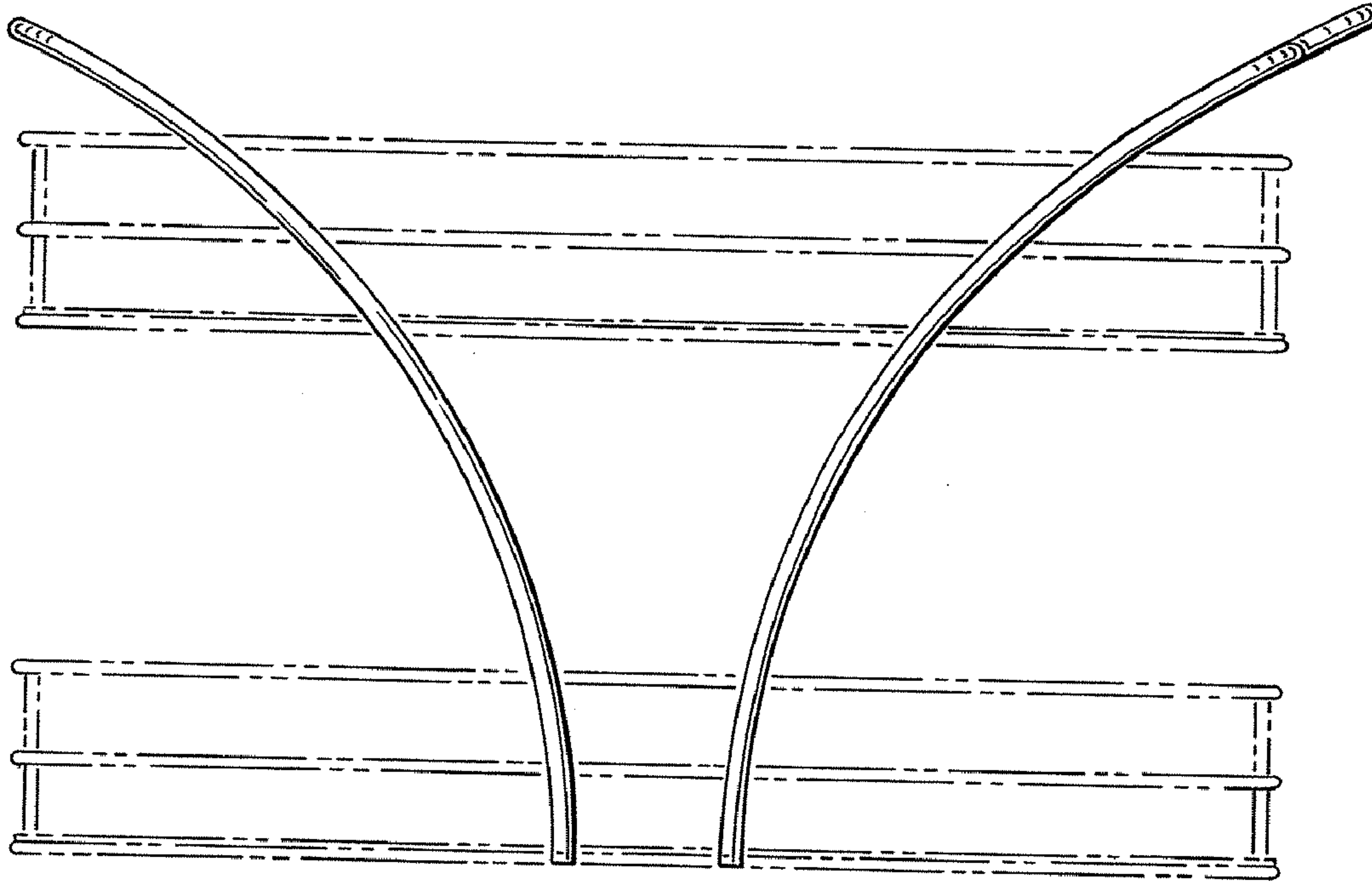


FIG. 3

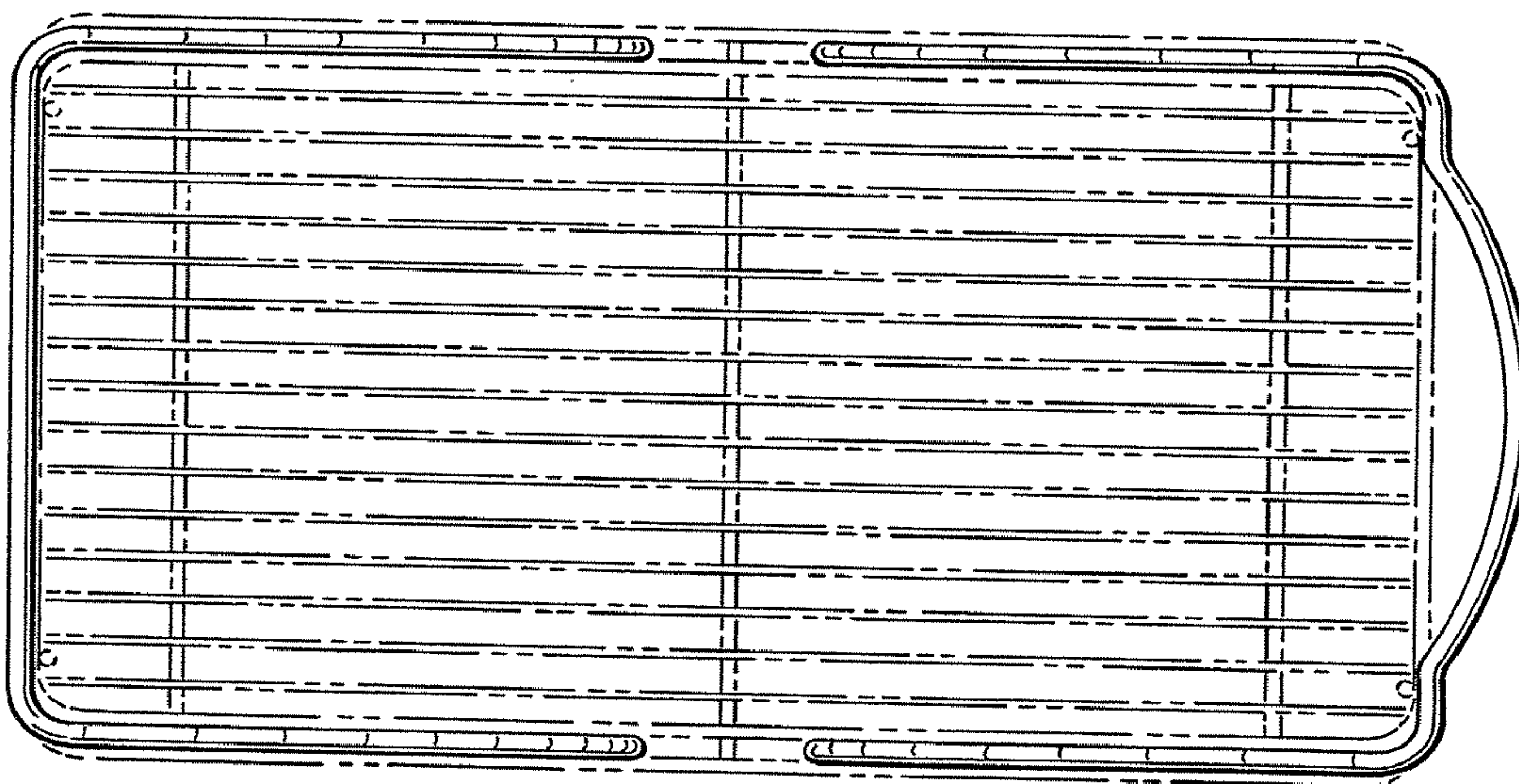


FIG. 4

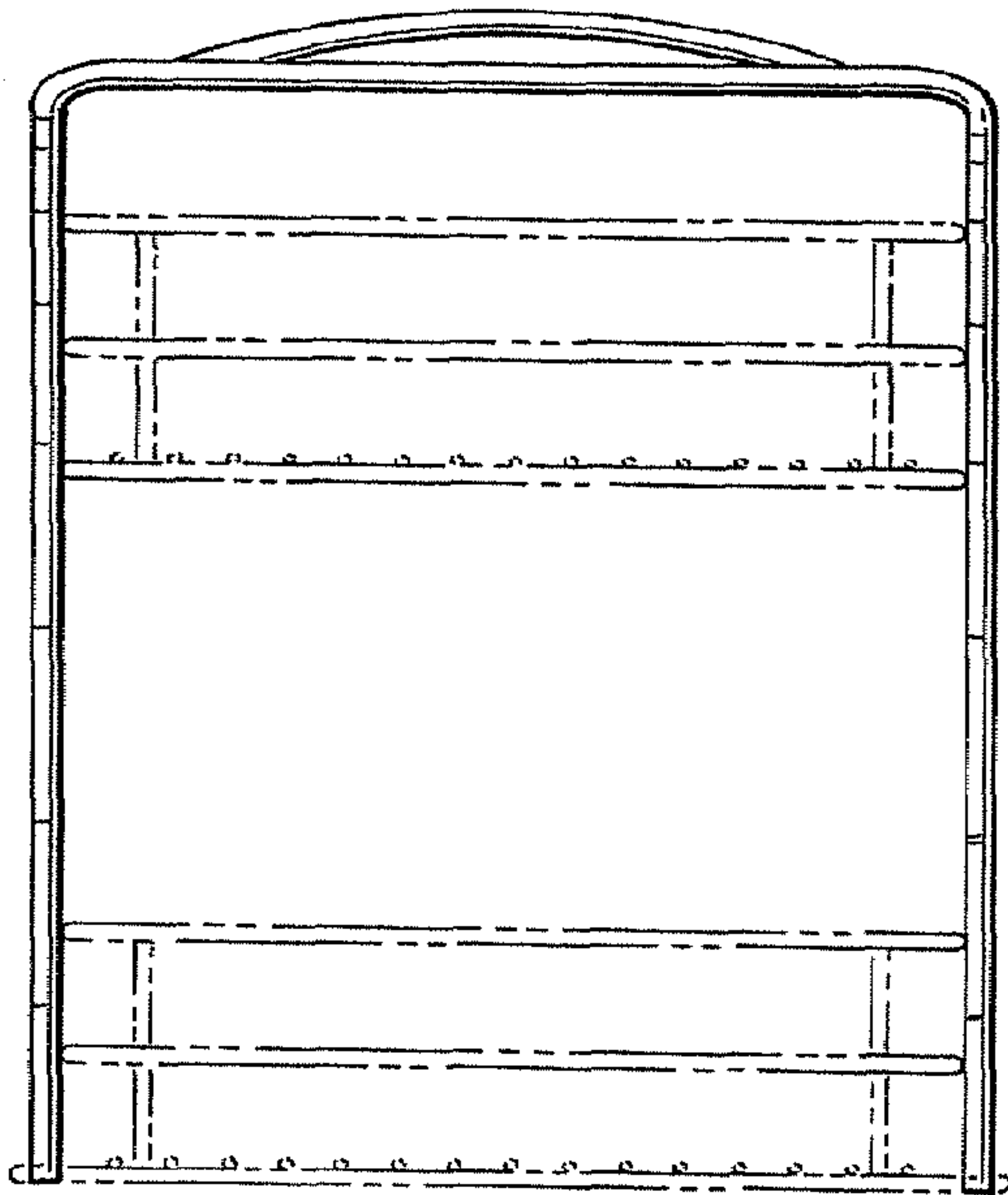


FIG. 5

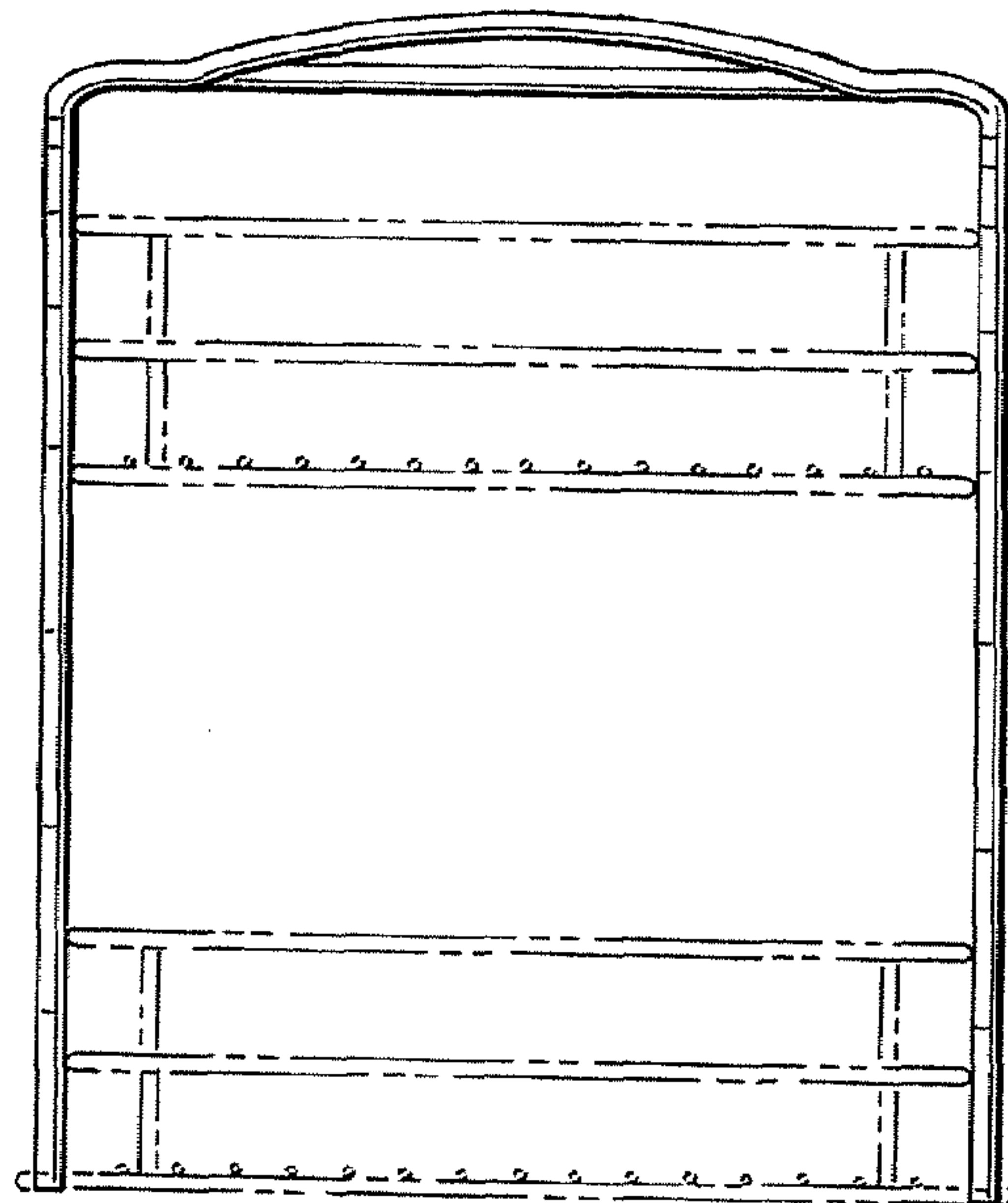
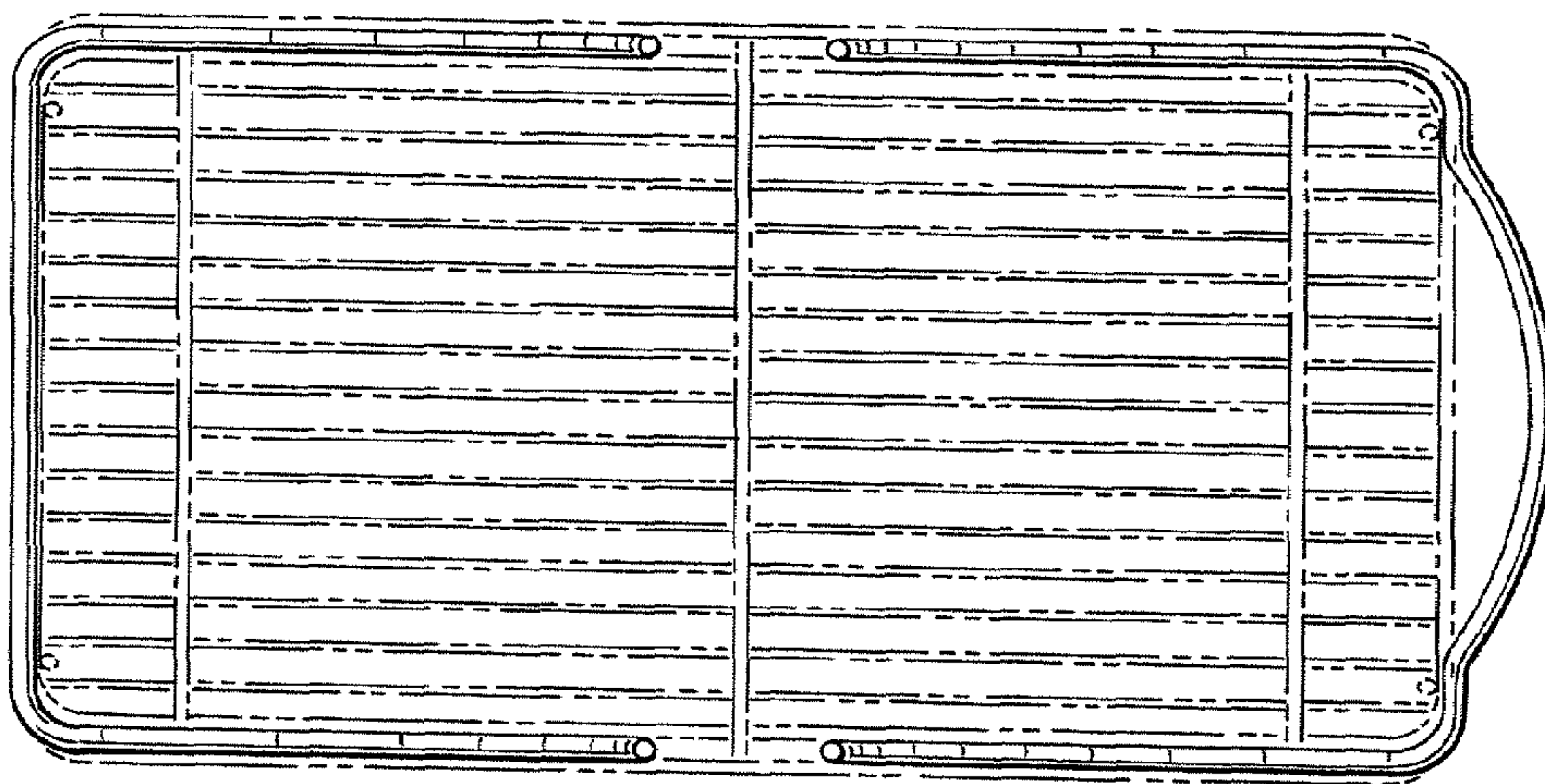


FIG. 6



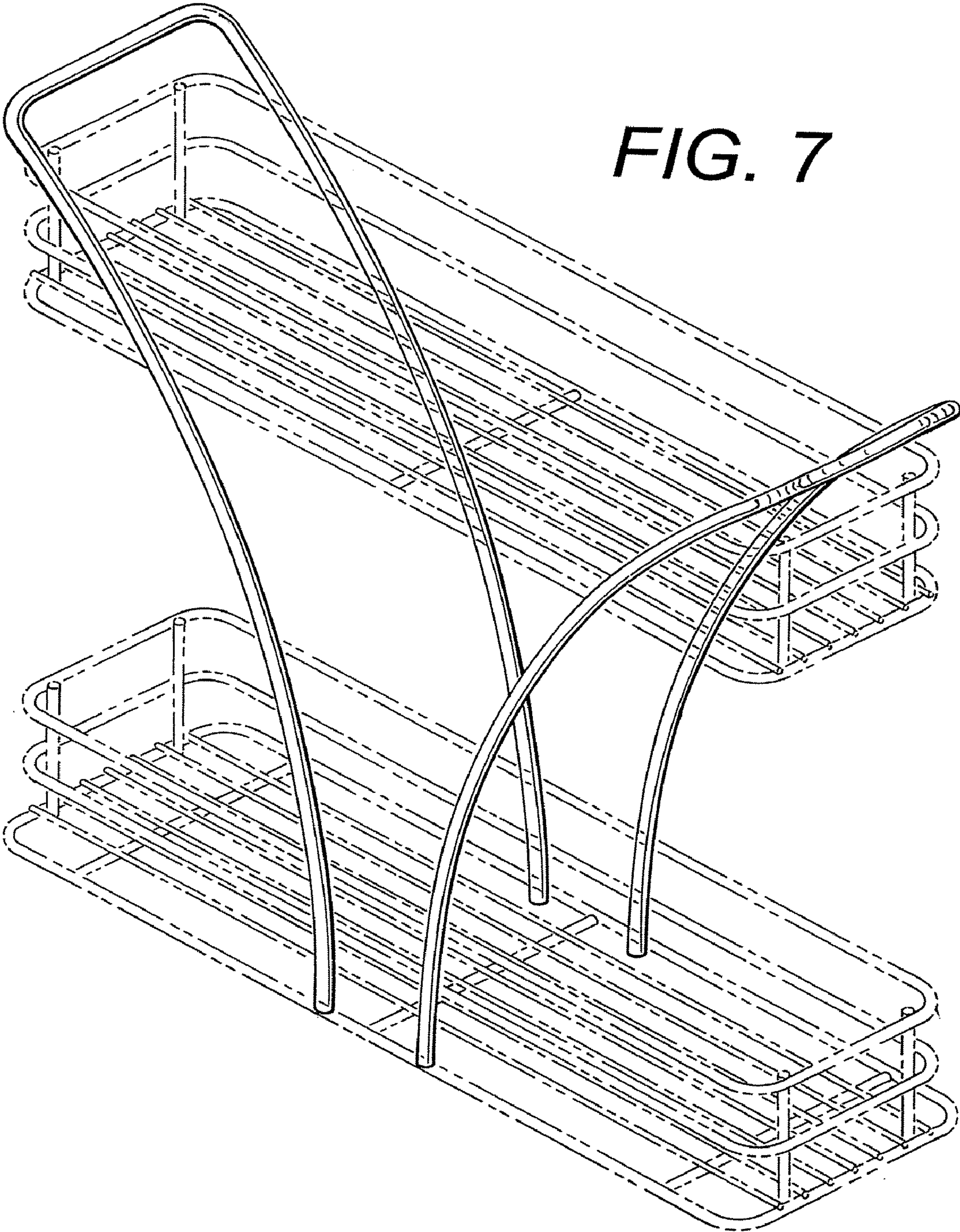


FIG. 8

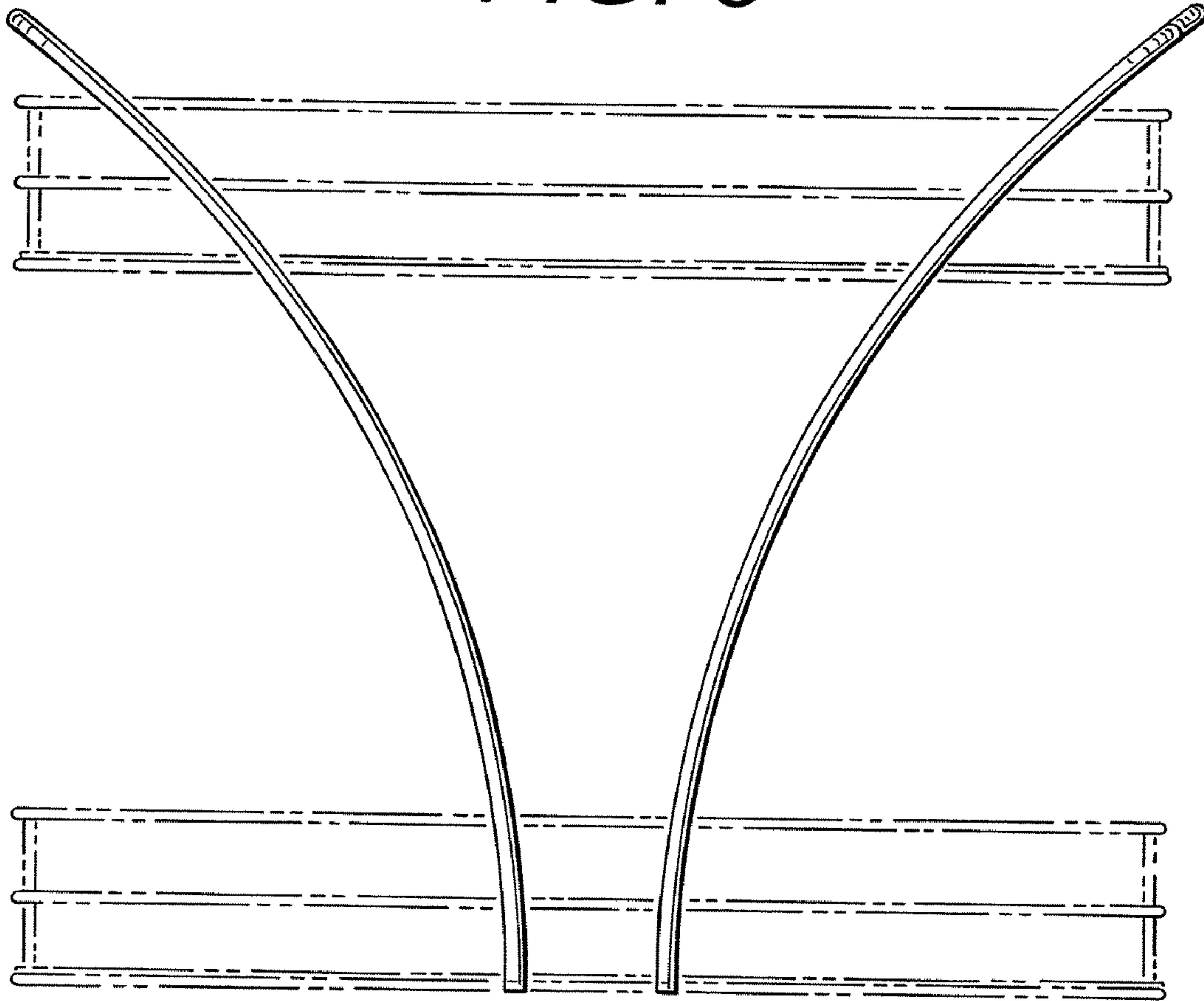


FIG. 9

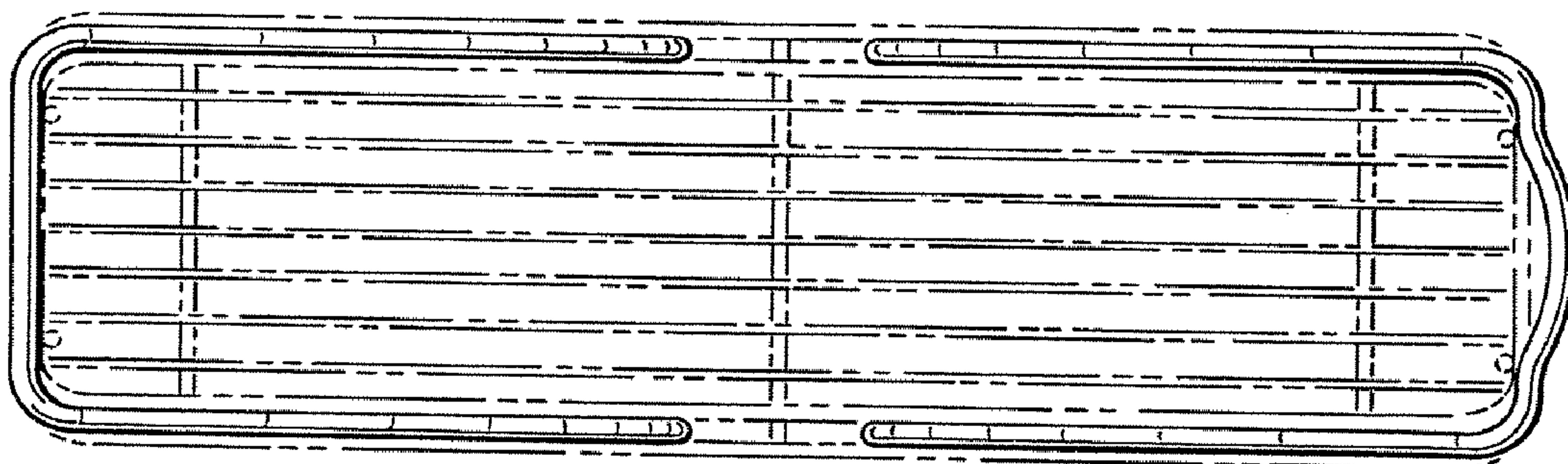


FIG. 10

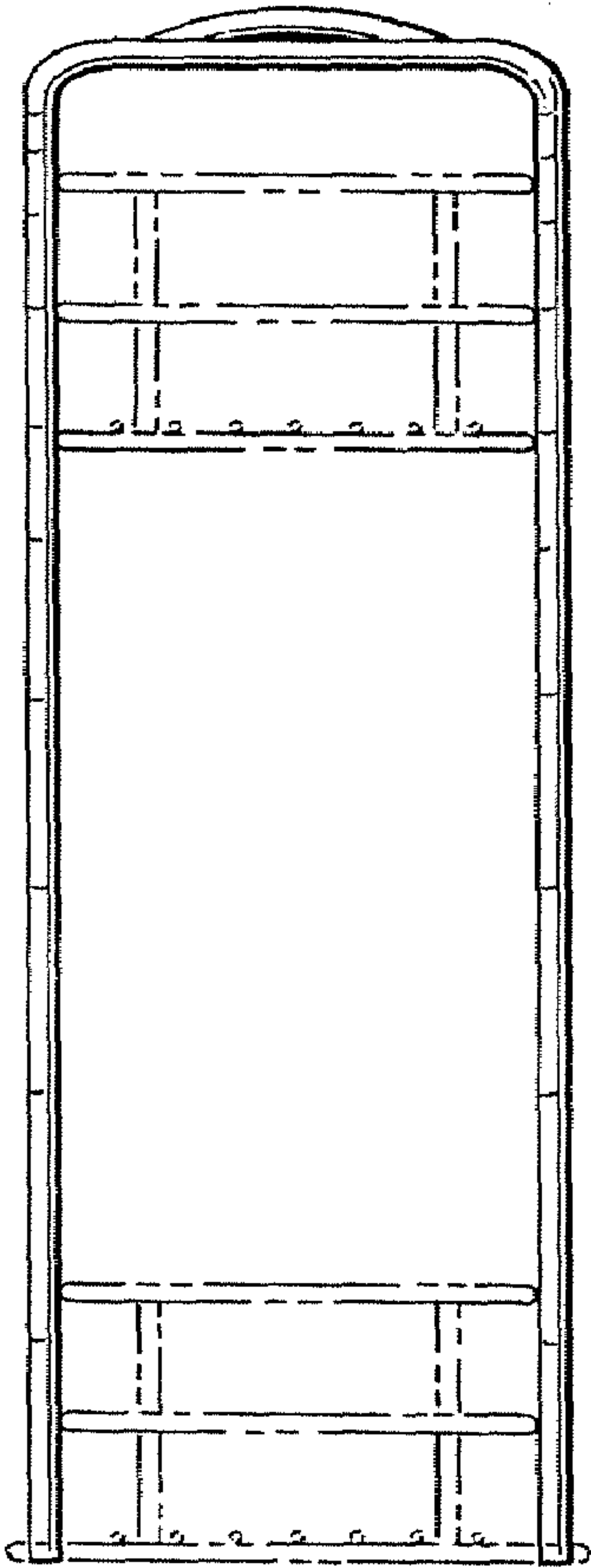


FIG. 11

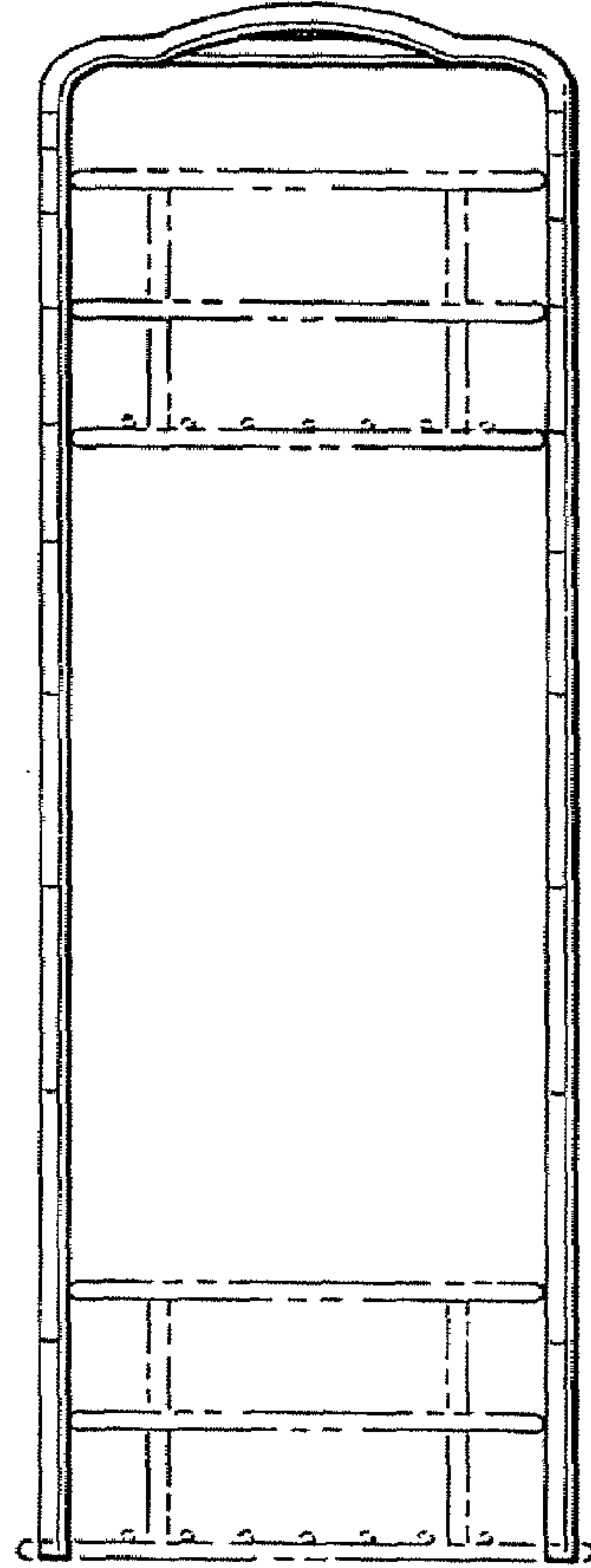


FIG. 12

