



US00D556469S

(12) **United States Design Patent** (10) **Patent No.:** **US D556,469 S**
Adams (45) **Date of Patent:** **** Dec. 4, 2007**

(54) **SEAT**

(75) Inventor: **Lee Adams**, Stafford (GB)

(73) Assignee: **RGE Engineering Co.**, Cambridgeshire (GB)

(**) Term: **14 Years**

(21) Appl. No.: **29/246,837**

(22) Filed: **May 15, 2006**

(30) **Foreign Application Priority Data**

Nov. 17, 2005 (EM) 000434345

(51) **LOC (8) Cl.** **06-01**

(52) **U.S. Cl.** **D6/374**

(58) **Field of Classification Search** D6/50-502;
297/232, 248, 445.1

See application file for complete search history.

(56) **References Cited**

U.S. PATENT DOCUMENTS

D198,843 S *	8/1964	Lockshin	D6/368
D239,746 S *	5/1976	Narduzzi	D6/368
D323,249 S *	1/1992	Schwartz	D6/370
D325,837 S *	5/1992	Schwartz	D6/500
D344,200 S *	2/1994	Schwartz	D6/500
D420,824 S *	2/2000	Lin	D6/370
D437,134 S *	2/2001	Anderson et al.	D6/368
D448,189 S *	9/2001	Jahn	D6/374
D465,939 S *	11/2002	Kolberg	D6/368

D495,156 S * 8/2004 Gower D6/370

* cited by examiner

Primary Examiner—Caron D. Veynar

Assistant Examiner—Abraham Bahta

(74) *Attorney, Agent, or Firm*—Townsend and Townsend and Crew LLP

(57) **CLAIM**

The ornamental design for a seat, as shown and described.

DESCRIPTION

FIG. 1 is a front perspective view of the seat showing my new design;

FIG. 2 is a front view thereof;

FIG. 3 is a side view thereof;

FIG. 4 is a rear view thereof;

FIG. 5 is a plan view thereof;

FIG. 6 is an underside view thereof;

FIG. 7 is a front perspective view of the seat showing an alternative environment;

FIG. 8 is a front view thereof;

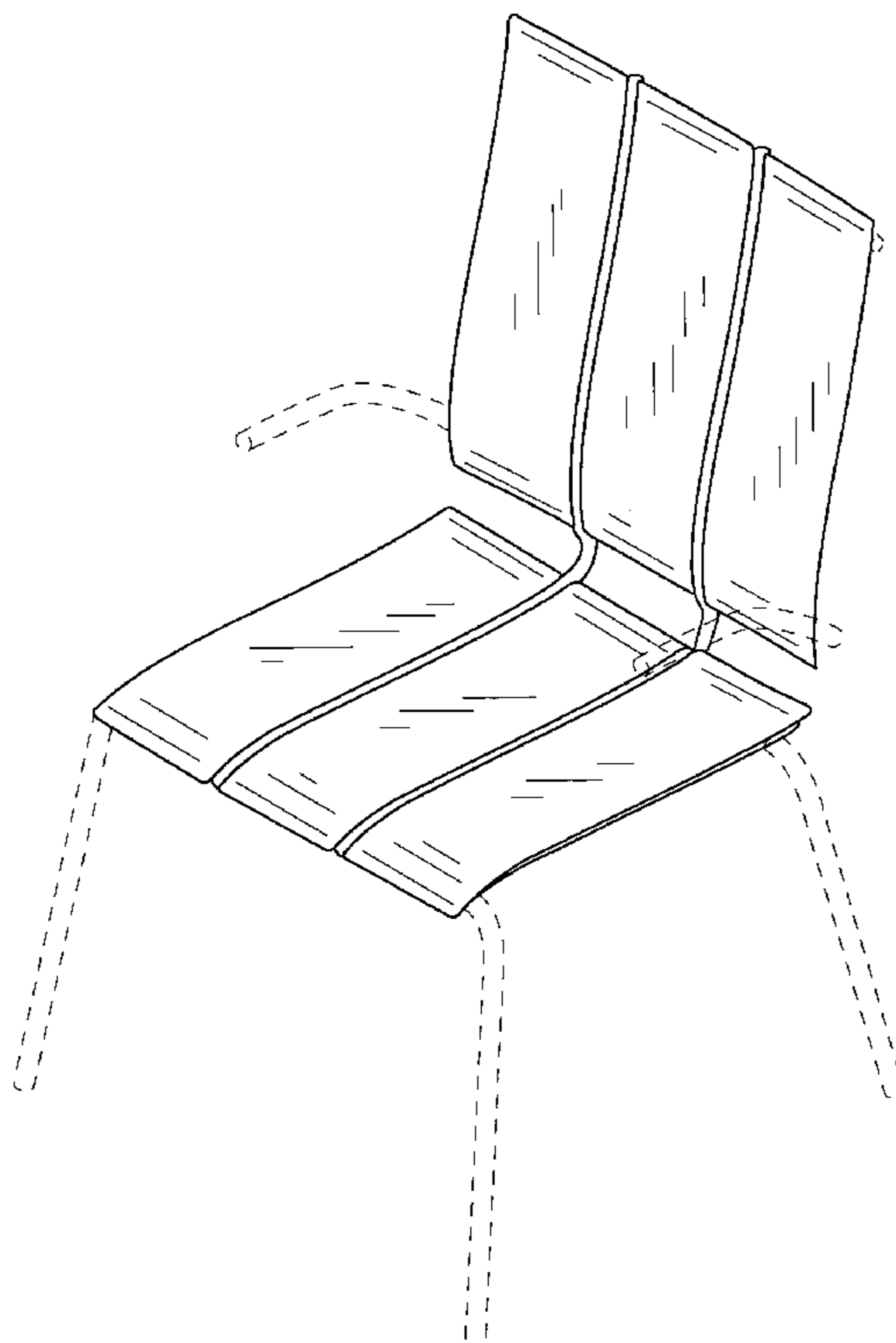
FIG. 9 is a side view thereof;

FIG. 10 is an underside view thereof; and,

FIG. 11 is a rear view thereof.

The broken lines shown in FIGS. 1-11 are for illustrative purposes only and form no part of the claimed design.

1 Claim, 11 Drawing Sheets



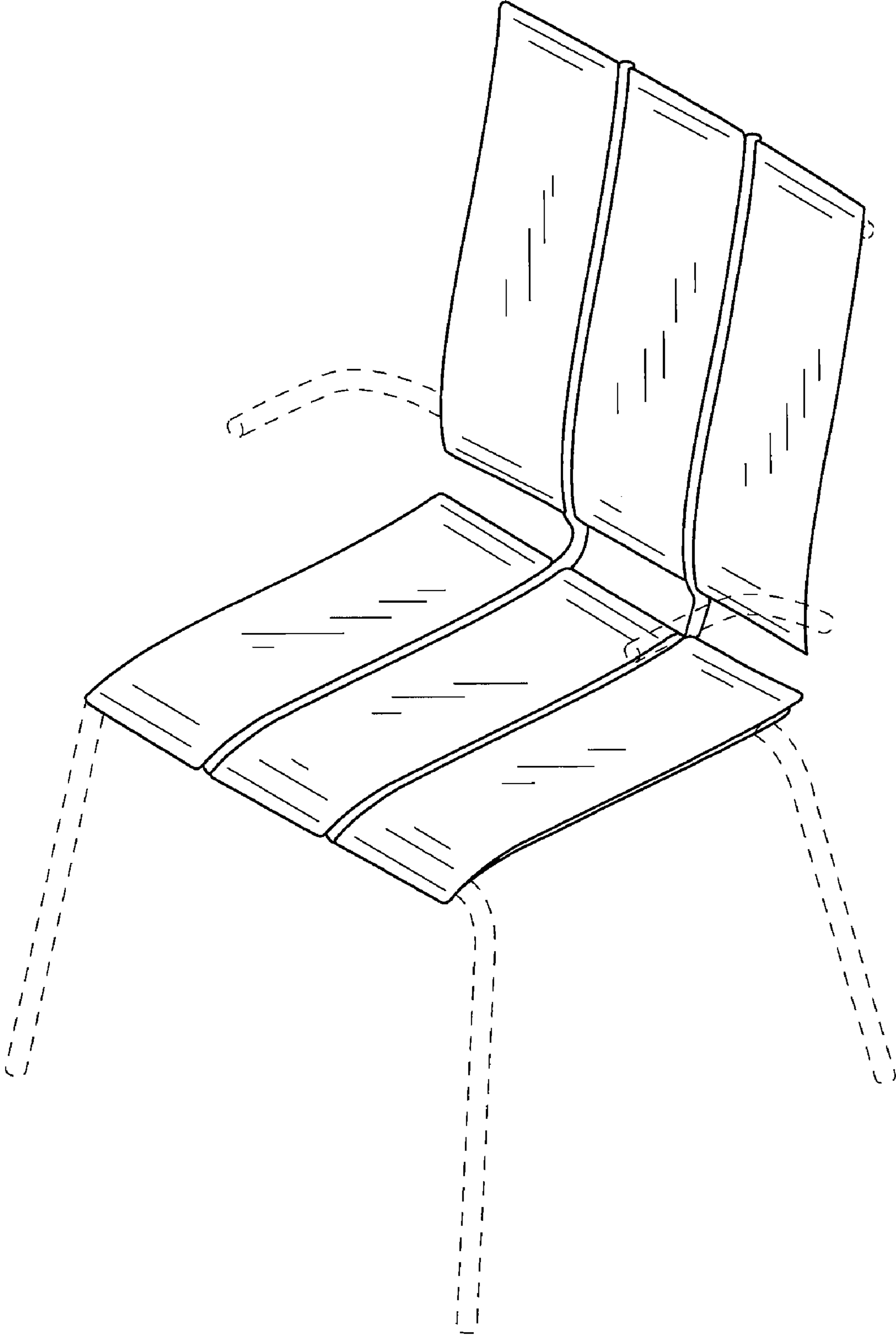


FIG. 1

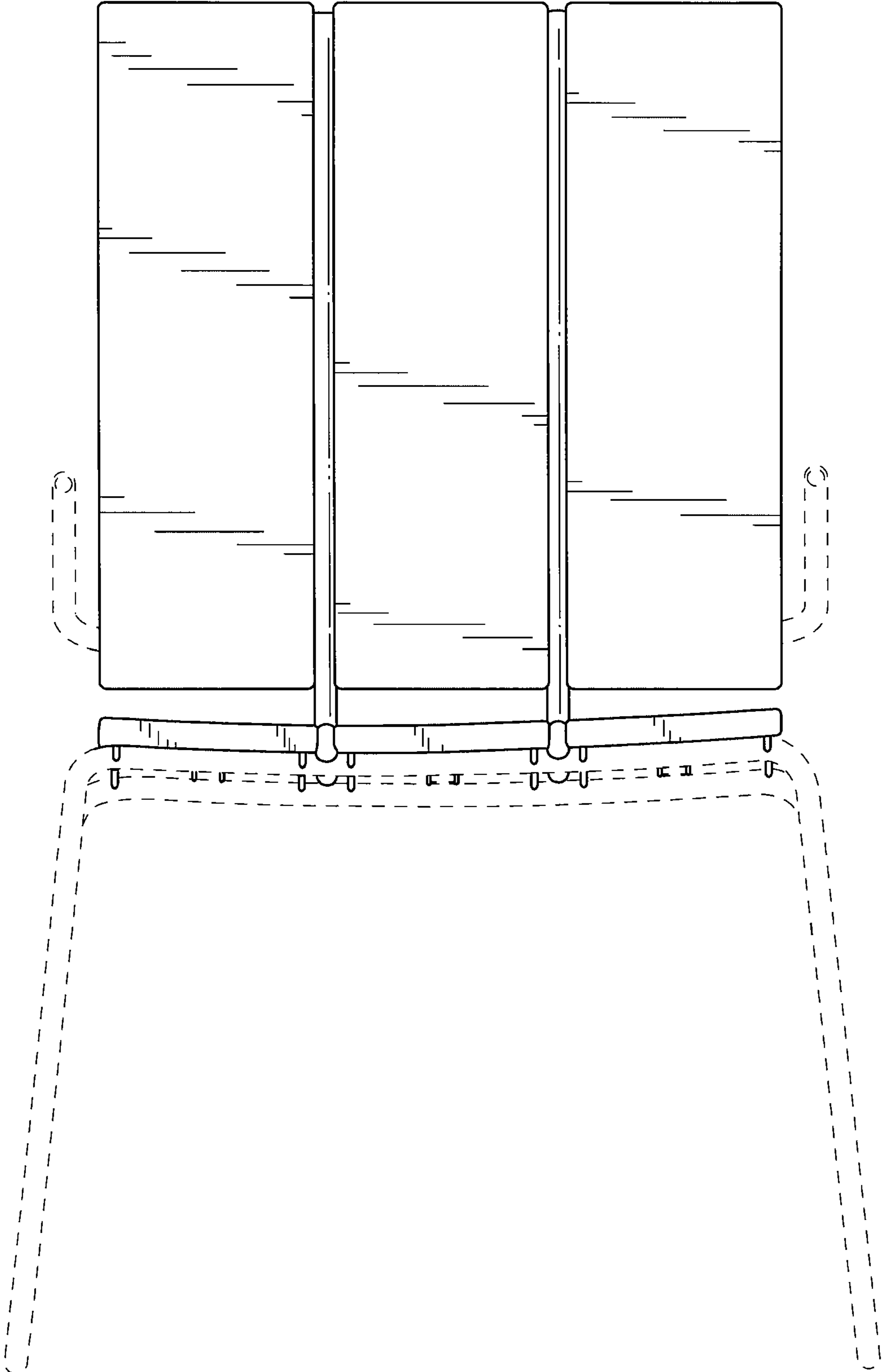


FIG.2

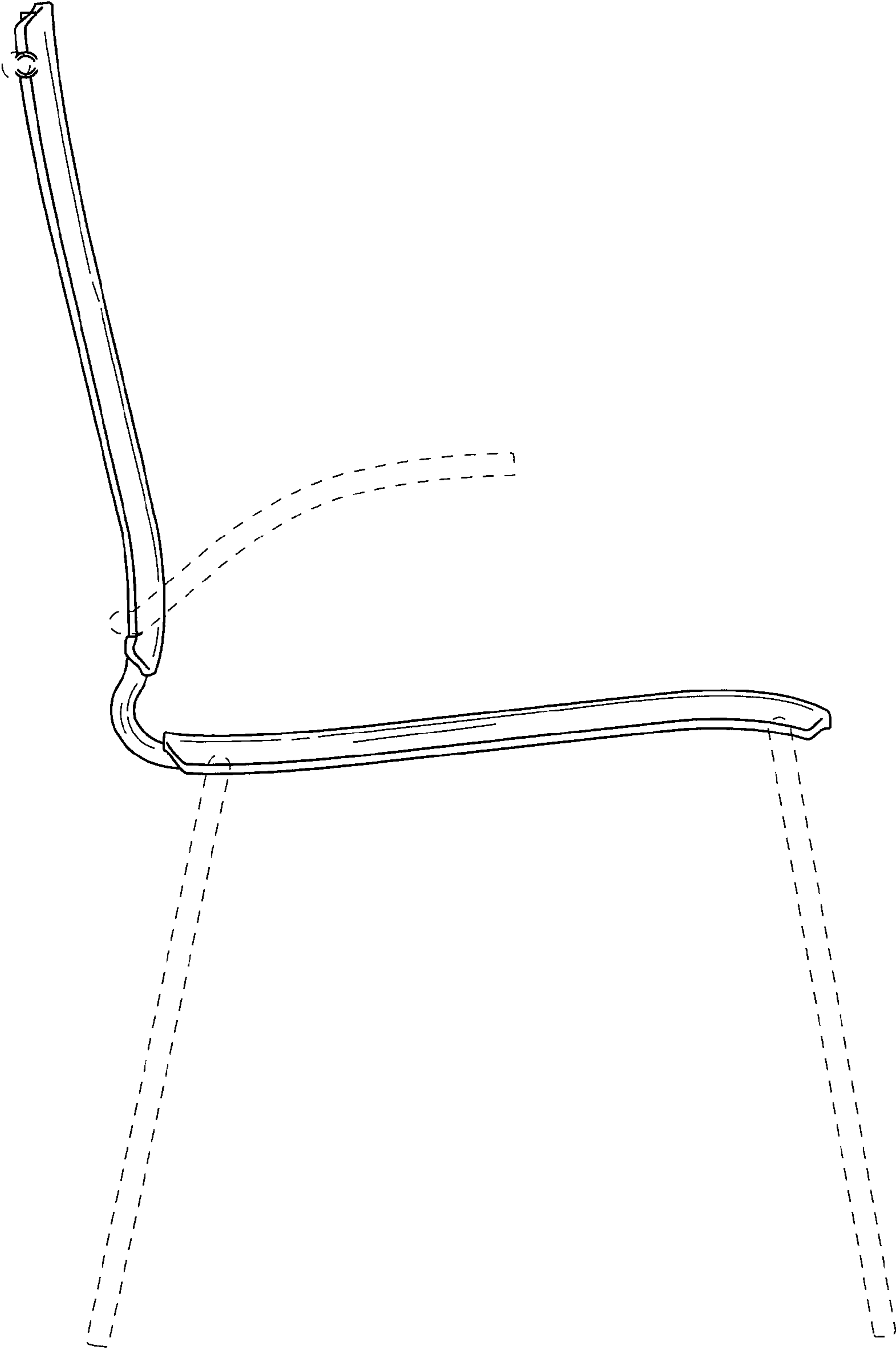


FIG.3

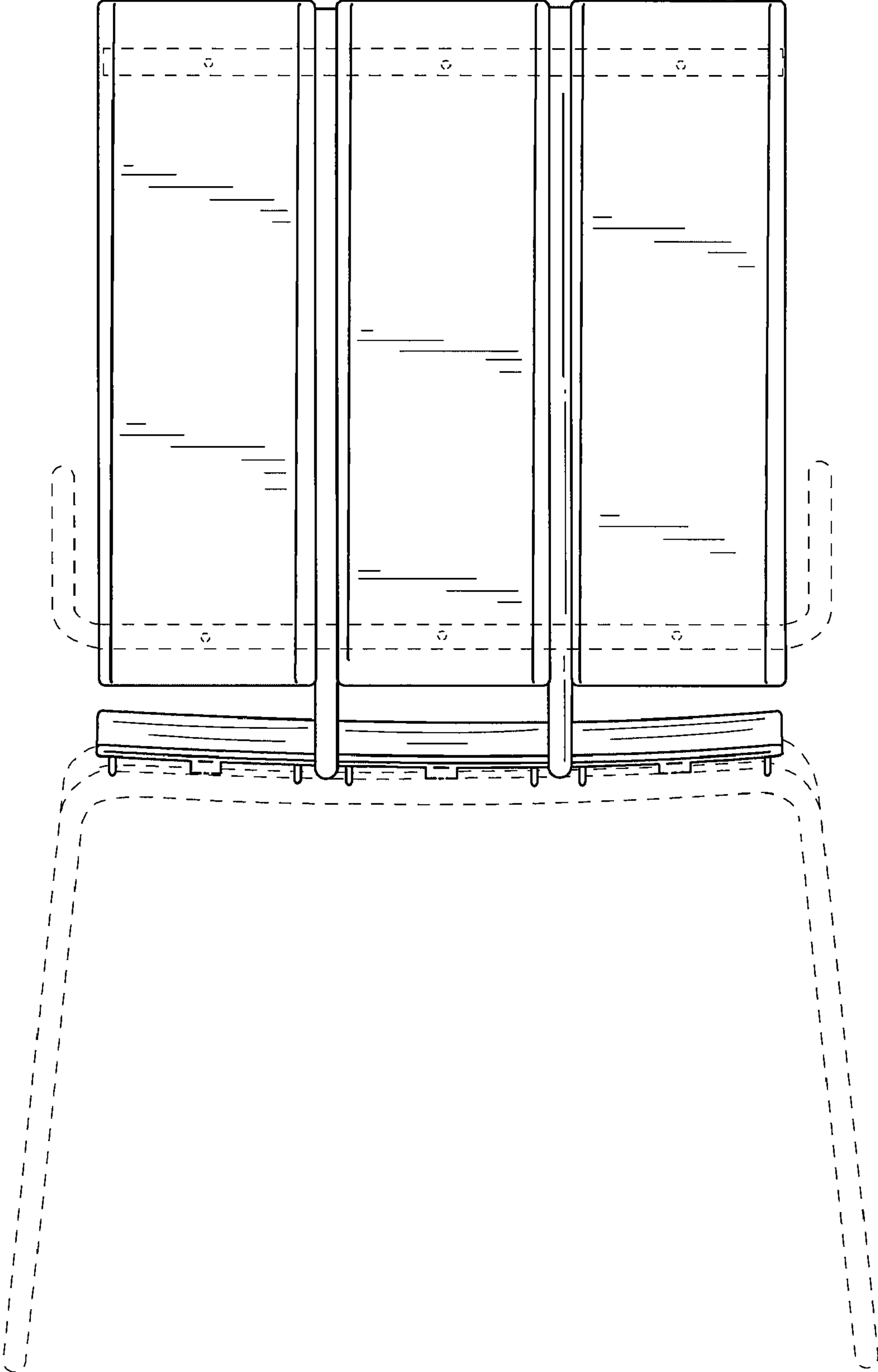


FIG.4

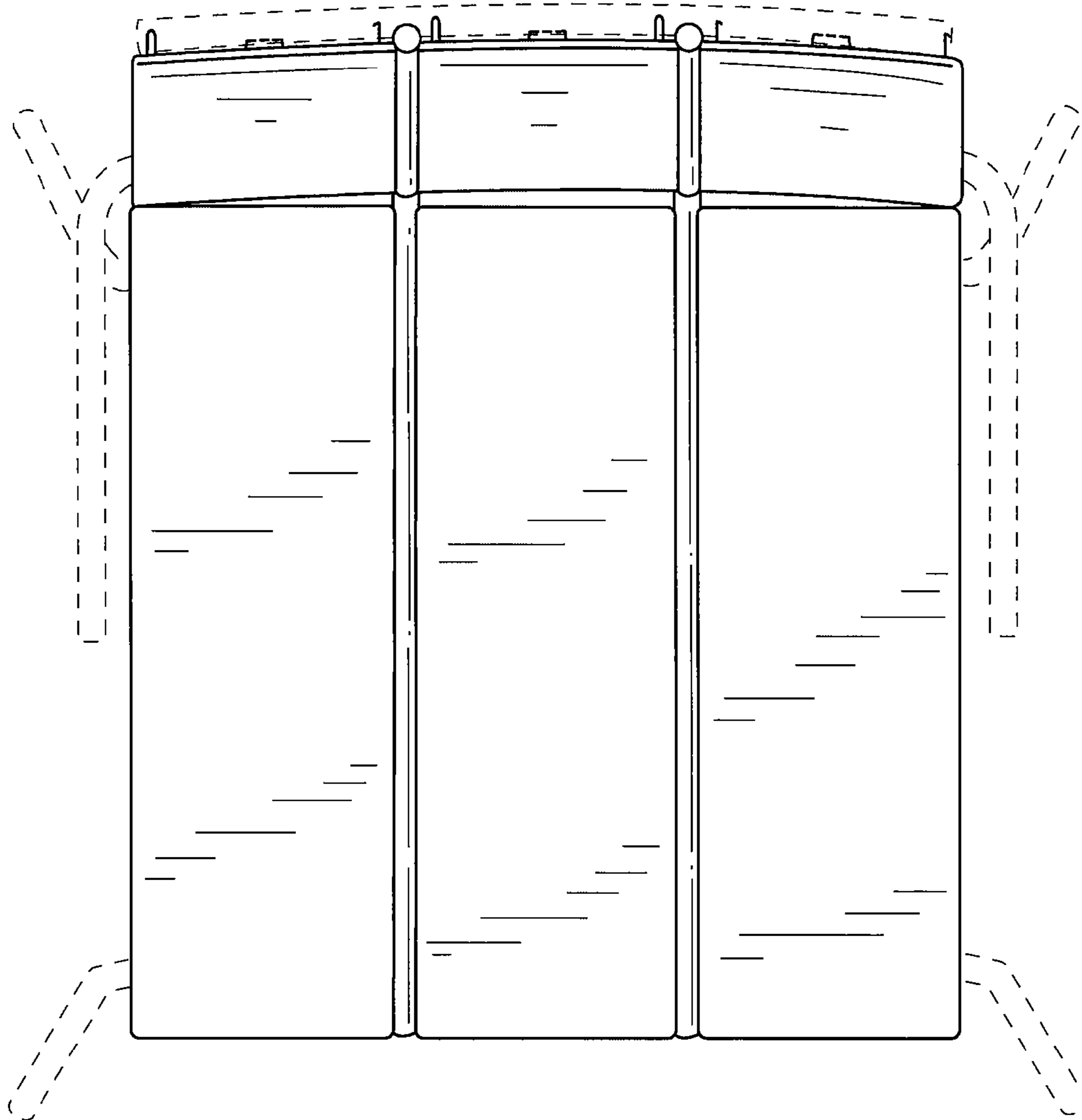


FIG.5

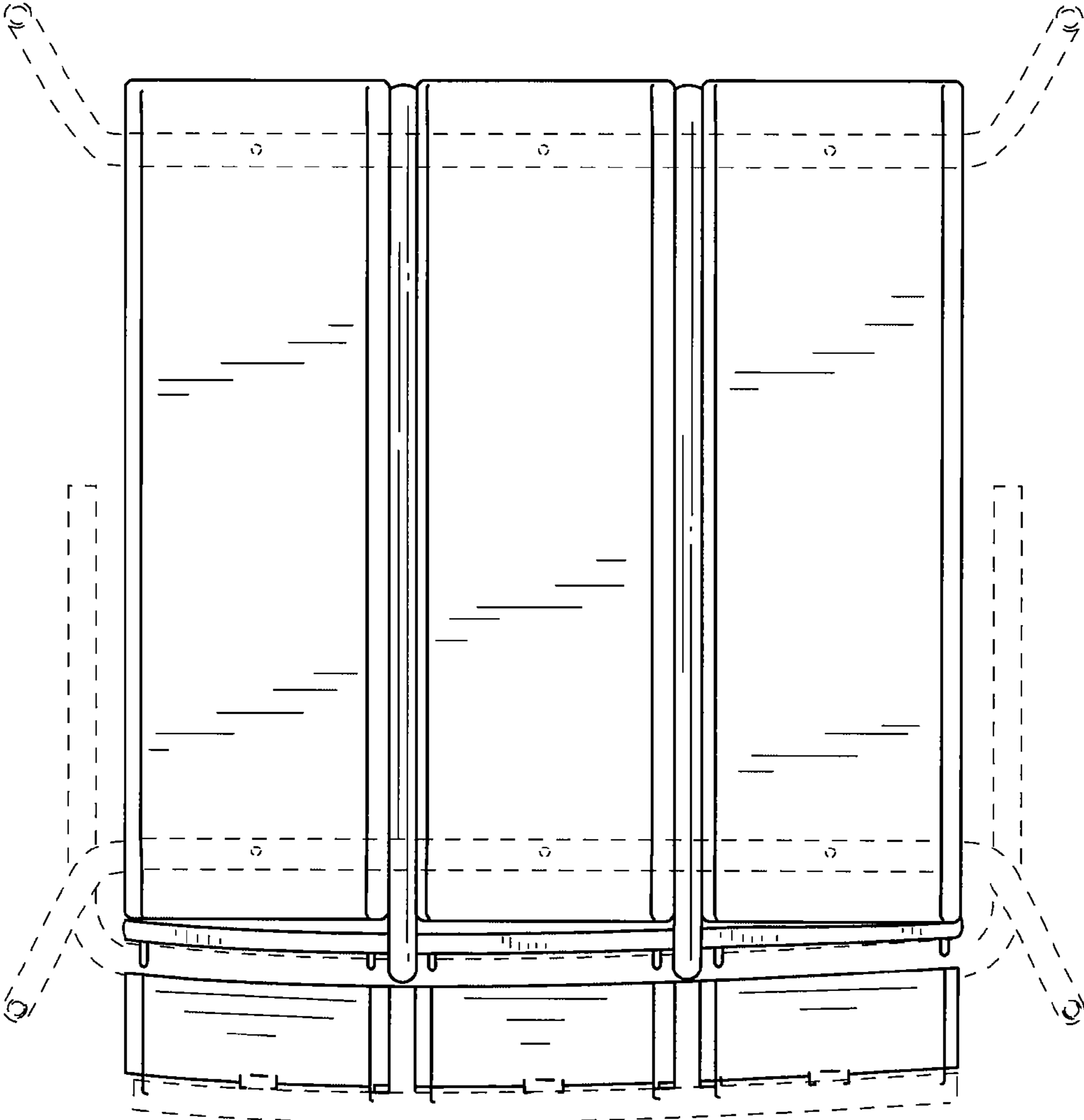


FIG.6

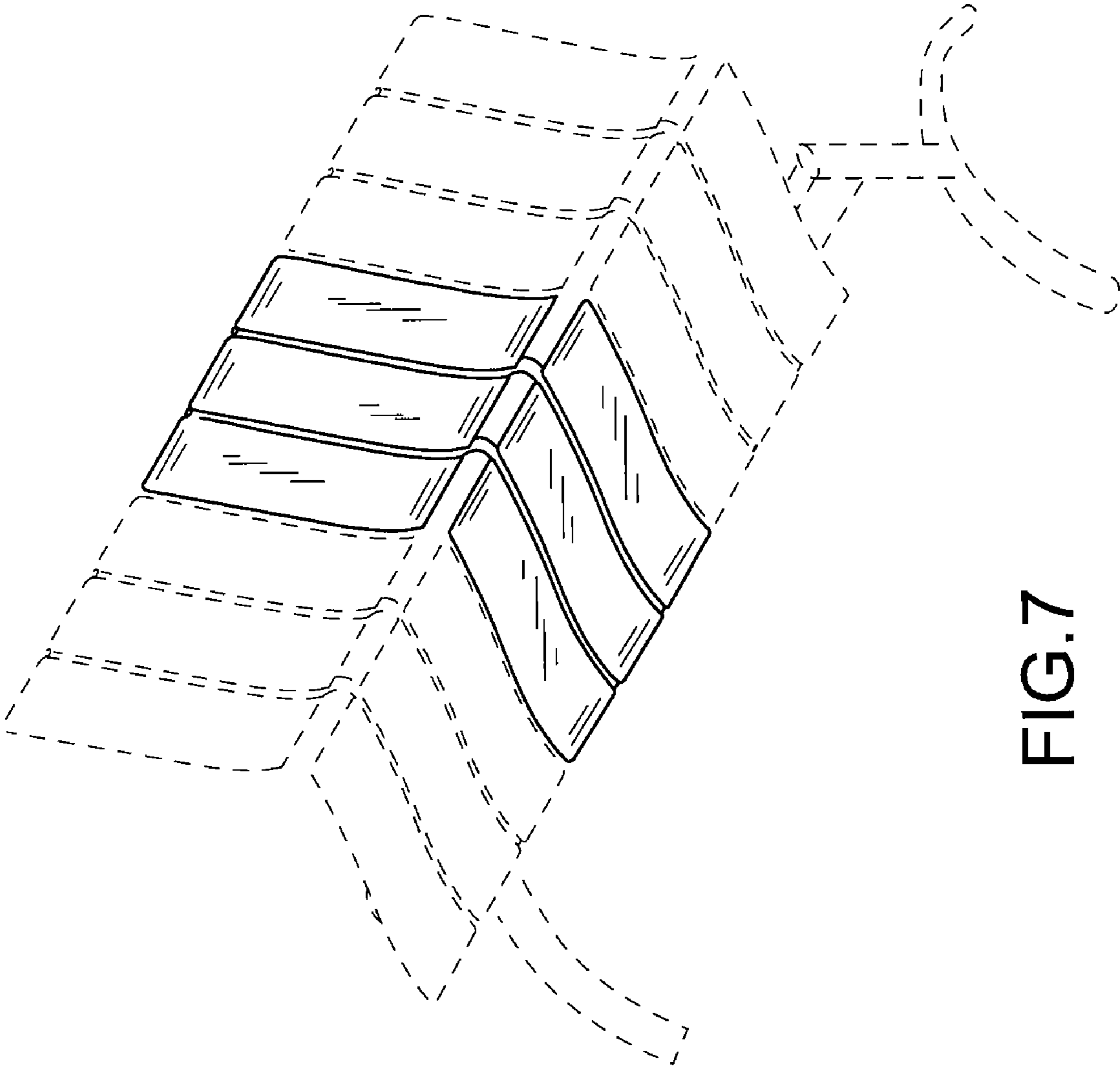


FIG.7

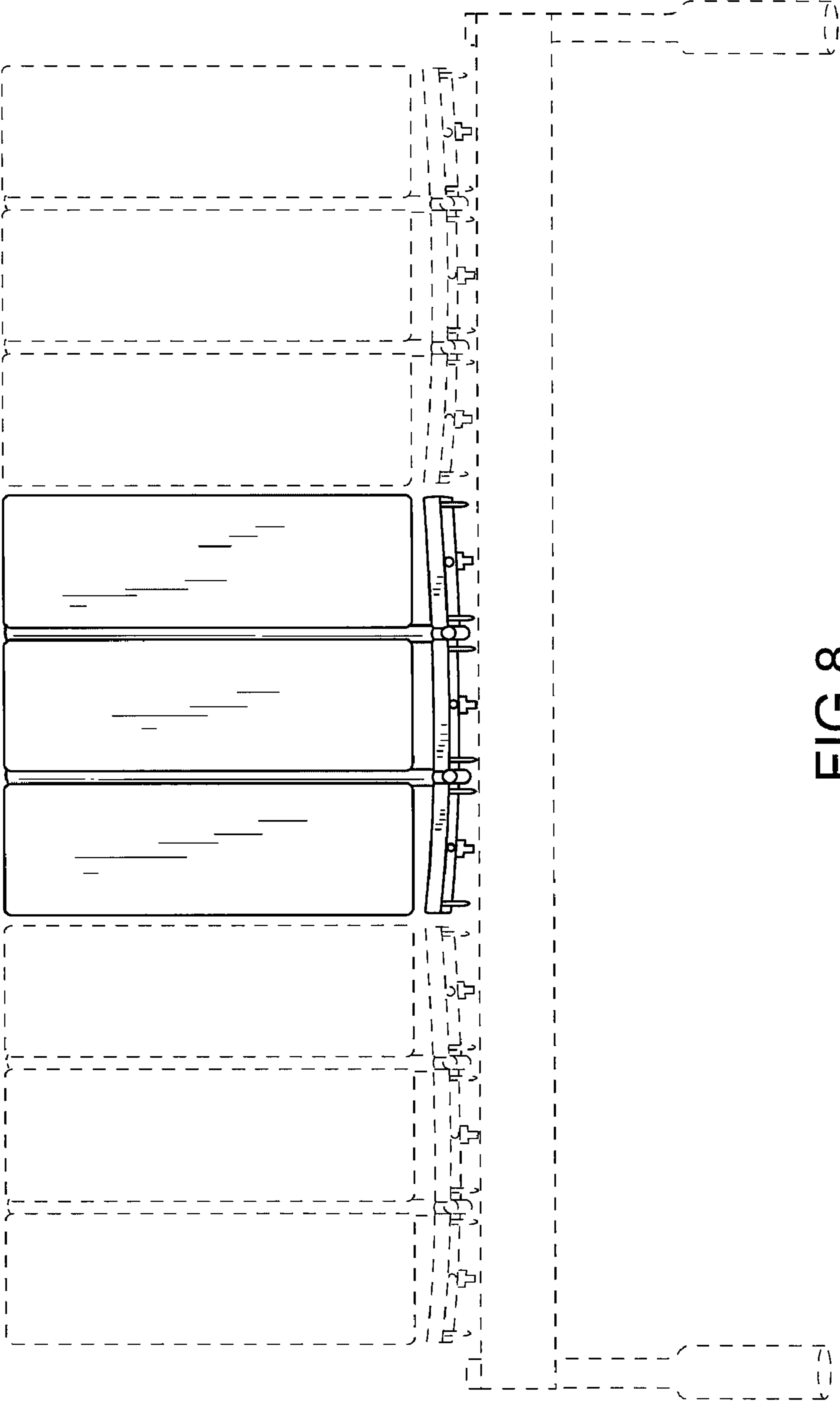


FIG.8

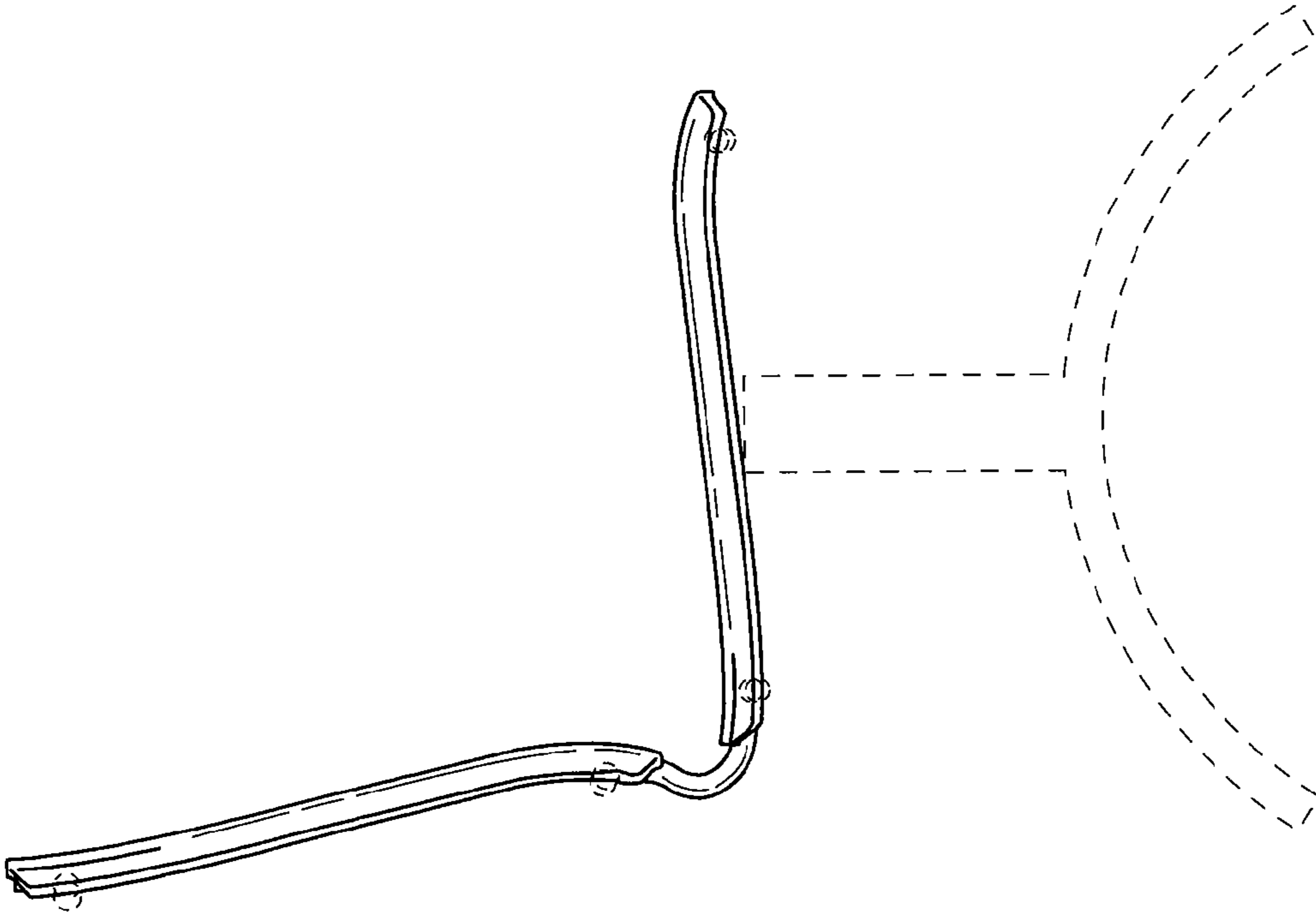


FIG.9

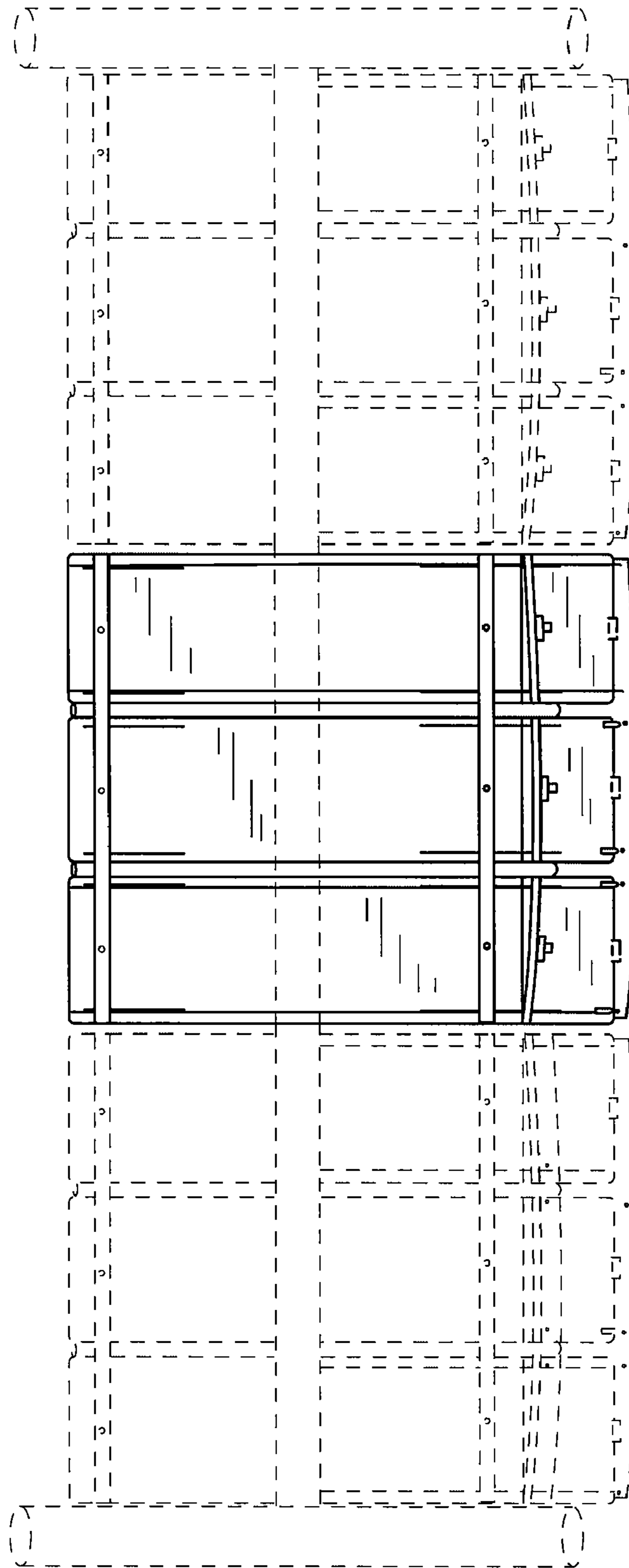


FIG.10

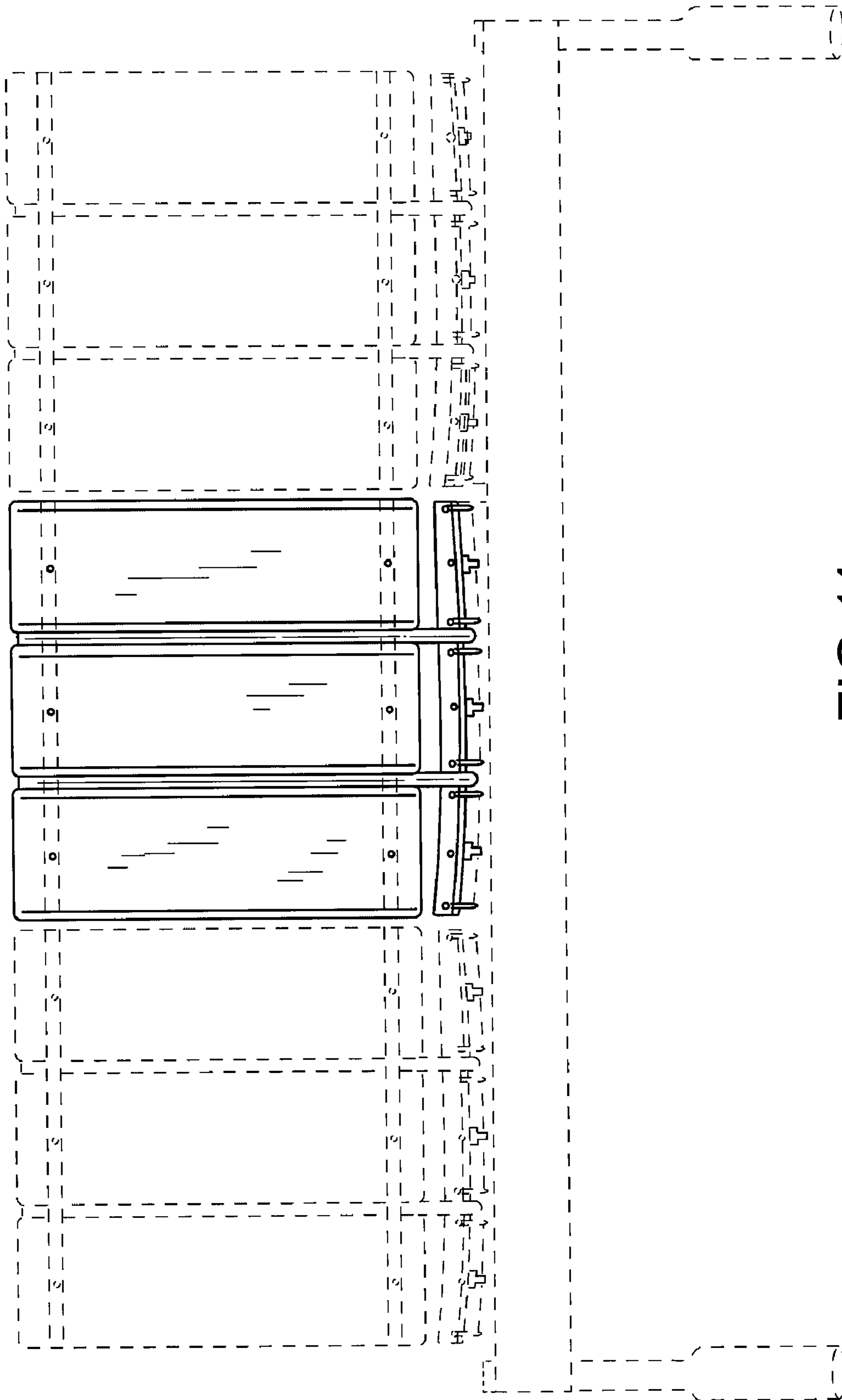


FIG.11