



US00D556467S

(12) **United States Design Patent** (10) **Patent No.:** **US D556,467 S**
Brown et al. (45) **Date of Patent:** **** Dec. 4, 2007**

(54) **CRESCENT COUCH AND BUNK OF A TRUCK VEHICLE**

(75) Inventors: **Steven D. Brown**, Fort Wayne, IN (US); **Zachary B. Beard**, Port Matilda, PA (US); **Jenny Lynn Cargiuolo**, Bedford, MA (US); **Lisa C. Troutman**, Rochester, MN (US); **David L. Maher**, Fort Wayne, IN (US); **Kwan W. Lee**, Troy, MI (US); **Samuel Wagoner**, Woodburn, IN (US); **Kurt A. Ringger**, Bluffton, IN (US); **Mark Cappai**, Lynnwood, WA (US)

(73) Assignee: **International Truck Intellectual Property Company, LLC**, Warrenville, IL (US)

(**) Term: **14 Years**

(21) Appl. No.: **29/248,628**

(22) Filed: **Aug. 24, 2006**
(Under 37 CFR 1.47)

(51) **LOC (8) Cl.** **06-01**

(52) **U.S. Cl.** **D6/356**

(58) **Field of Classification Search** D6/334-336,
D6/356, 367, 368, 374, 381; 296/69, 190.02;
297/63, 65, 232, 331, 354.13

See application file for complete search history.

(56) **References Cited**

U.S. PATENT DOCUMENTS

2,993,529 A * 7/1961 Brown 297/65

3,550,949 A * 12/1970 Bonnaud 296/69
3,669,488 A * 6/1972 Derrickson et al. 296/66
D227,320 S * 6/1973 Dougherty D6/356
3,910,630 A * 10/1975 Runyon et al. 297/63
4,037,872 A * 7/1977 Quakenbush 297/65
4,085,962 A * 4/1978 Wahls 296/69
4,494,792 A * 1/1985 Quercy 297/63
D331,896 S * 12/1992 Pickering D12/221
5,860,702 A * 1/1999 Pilarczyk et al. 297/354.13
D414,046 S * 9/1999 Kort D6/356
D456,624 S * 5/2002 Unamuno D6/356
2007/0035166 A1 * 2/2007 Summerford 297/331

FOREIGN PATENT DOCUMENTS

EP 0 796 579 A1 9/1997

* cited by examiner

Primary Examiner—Mimosa De

(74) *Attorney, Agent, or Firm*—Jeffrey P. Calfa; Gerald W. Askew

(57) **CLAIM**

The ornamental design for a crescent couch and bunk of a truck vehicle, as shown and described.

DESCRIPTION

FIG. 1 is a right, front perspective view of a crescent couch and bunk of a truck vehicle showing our new design;

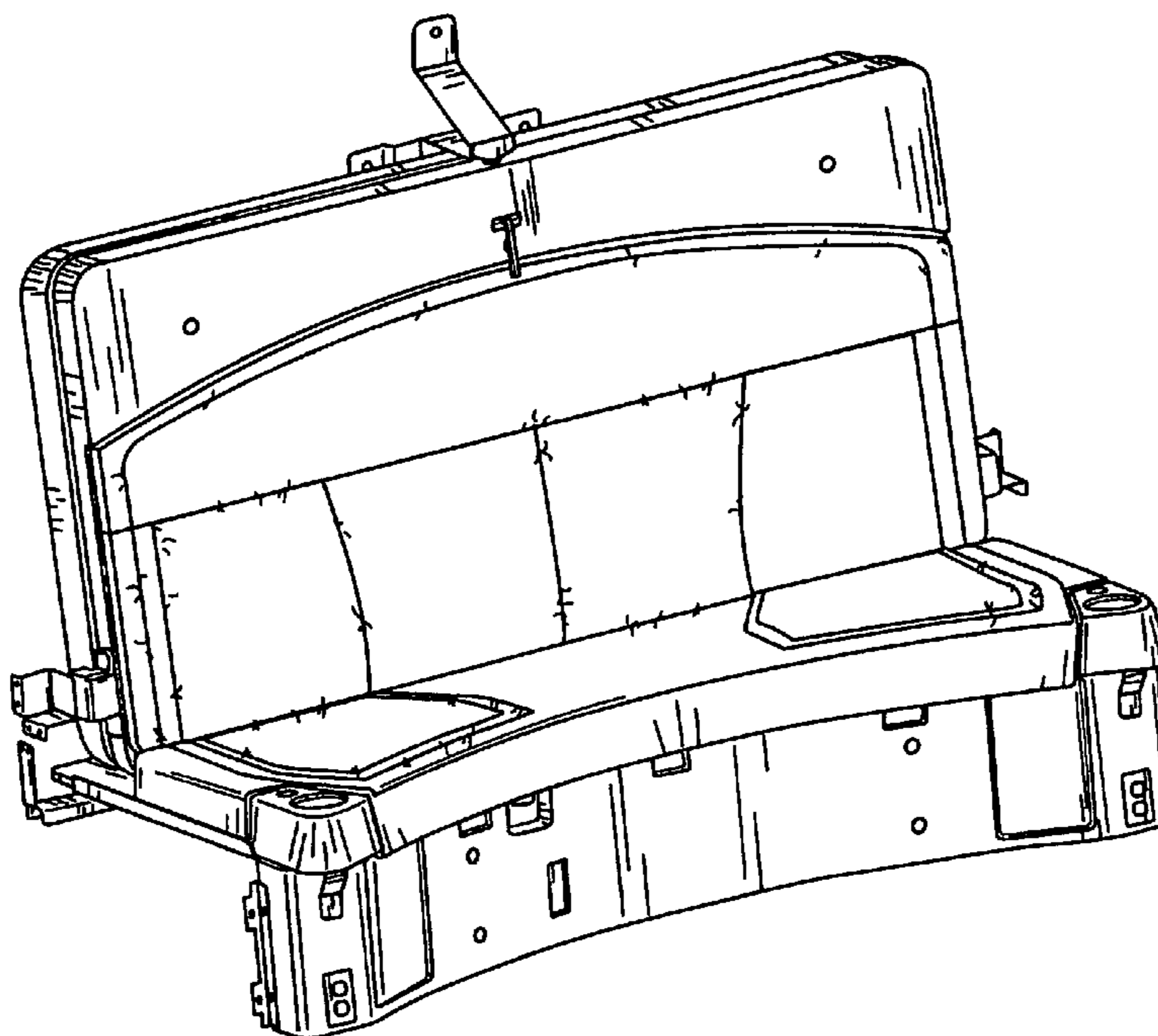
FIG. 2 is a top down view thereof;

FIG. 3 is a front view thereof;

FIG. 4 is a left view thereof; and,

FIG. 5 is a right view thereof.

1 Claim, 3 Drawing Sheets



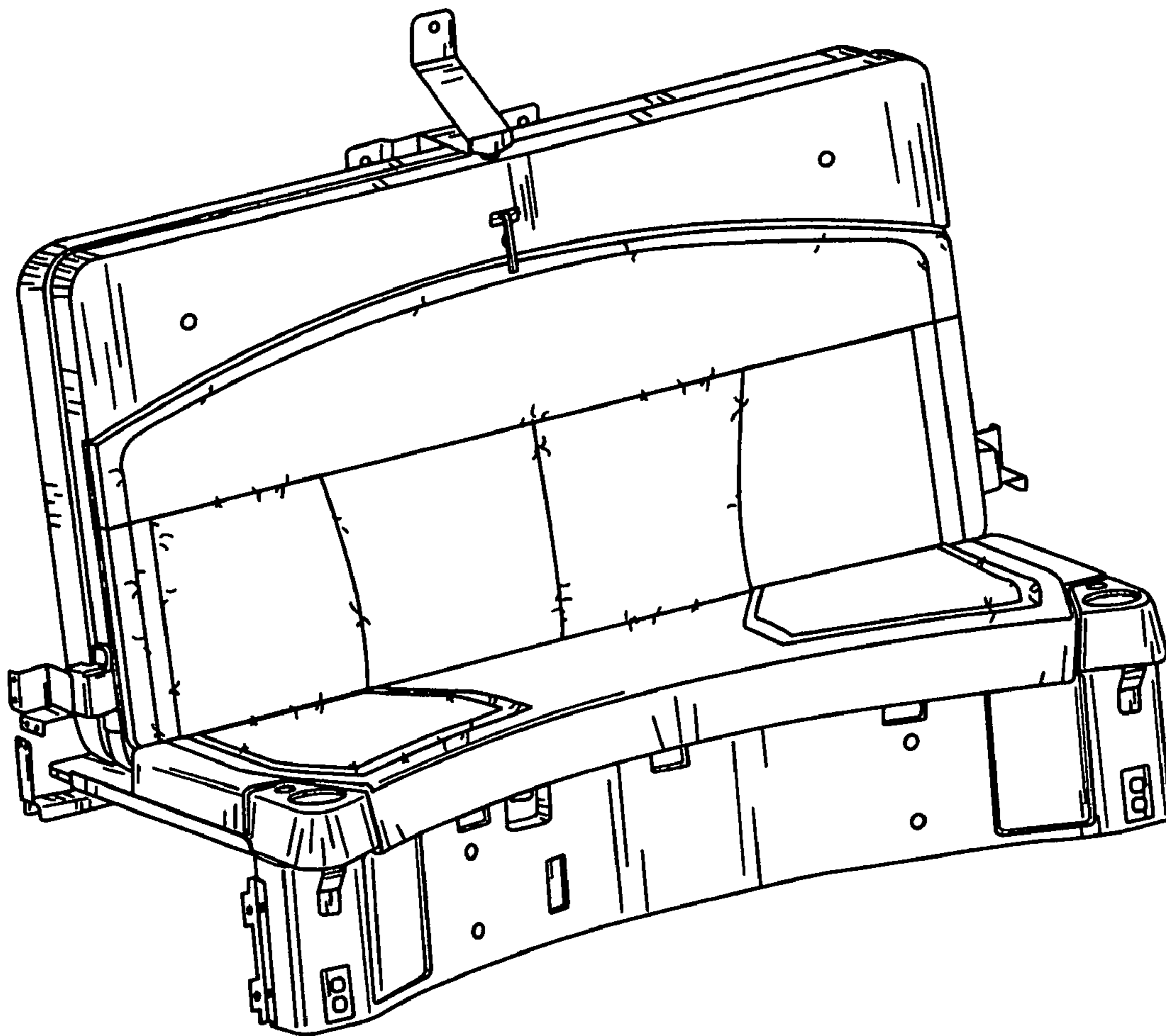


FIG. 1

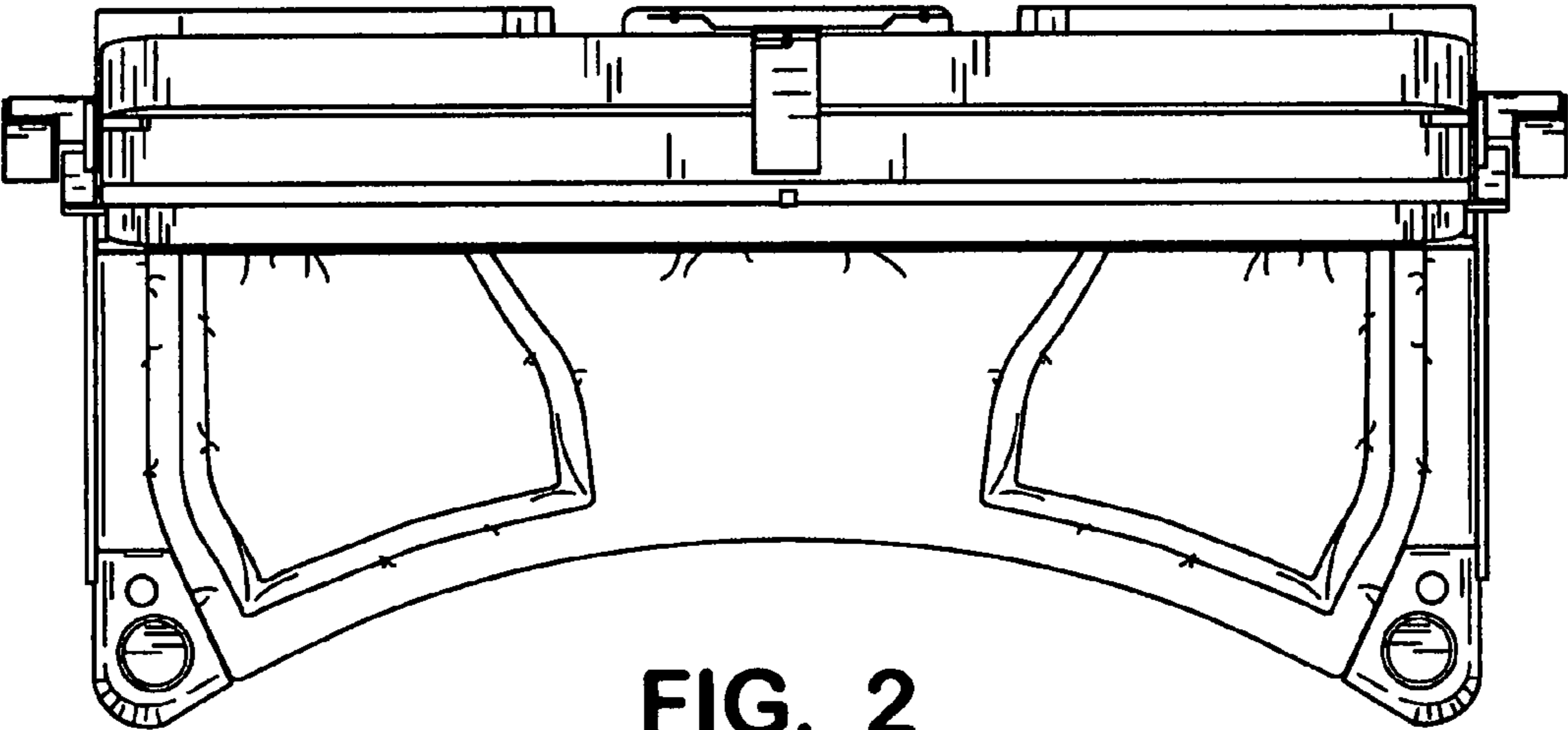


FIG. 2

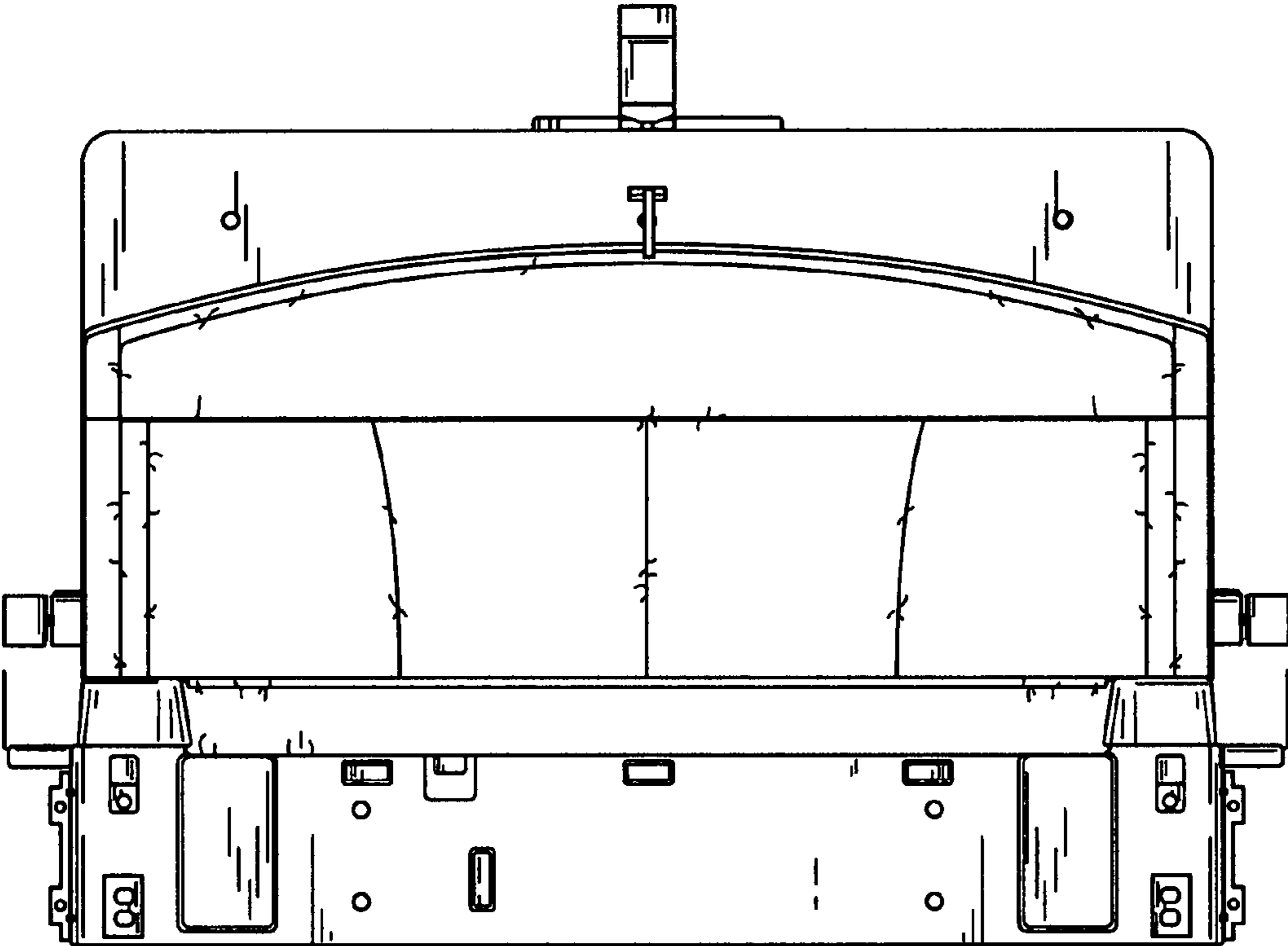


FIG. 3

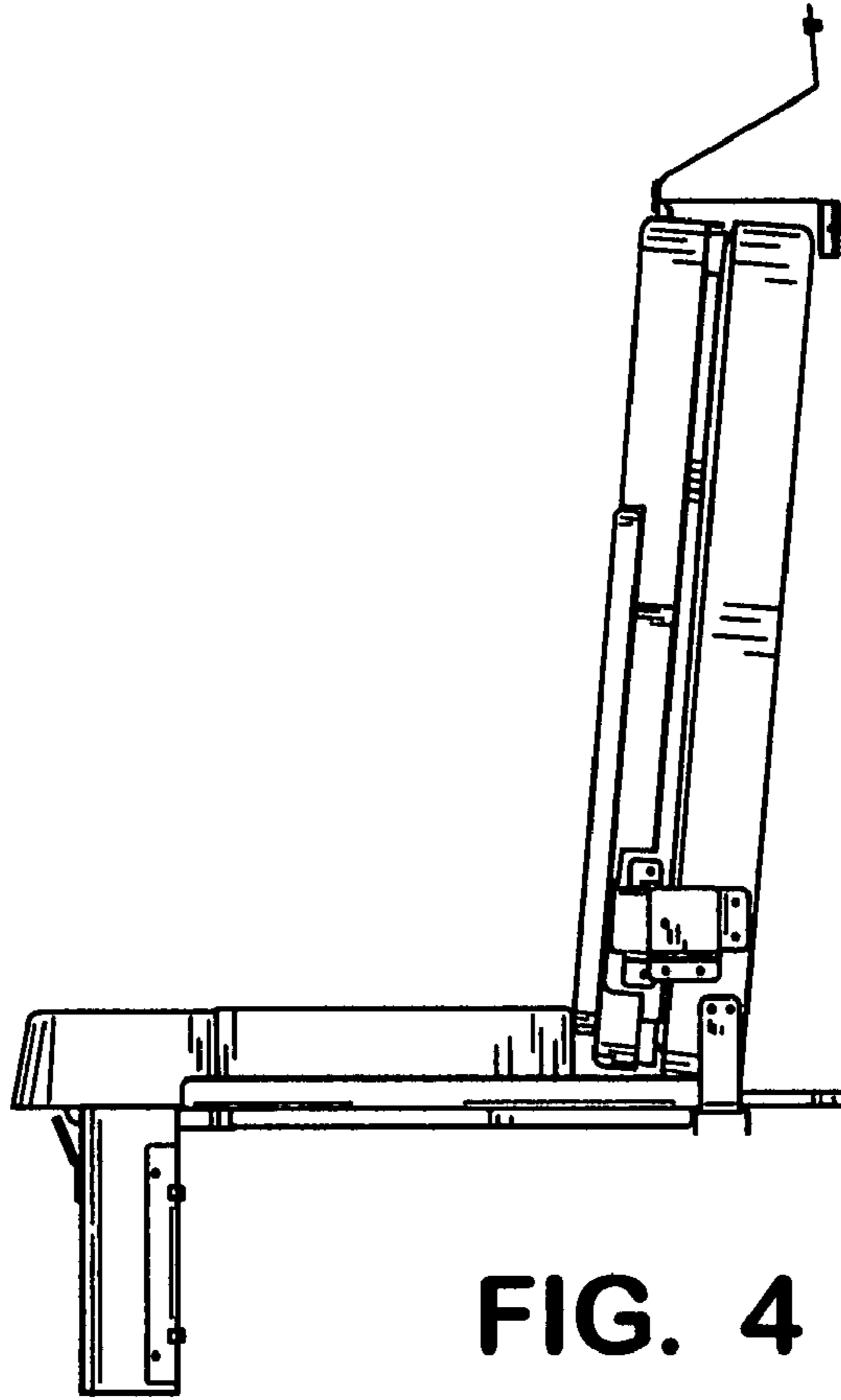


FIG. 4

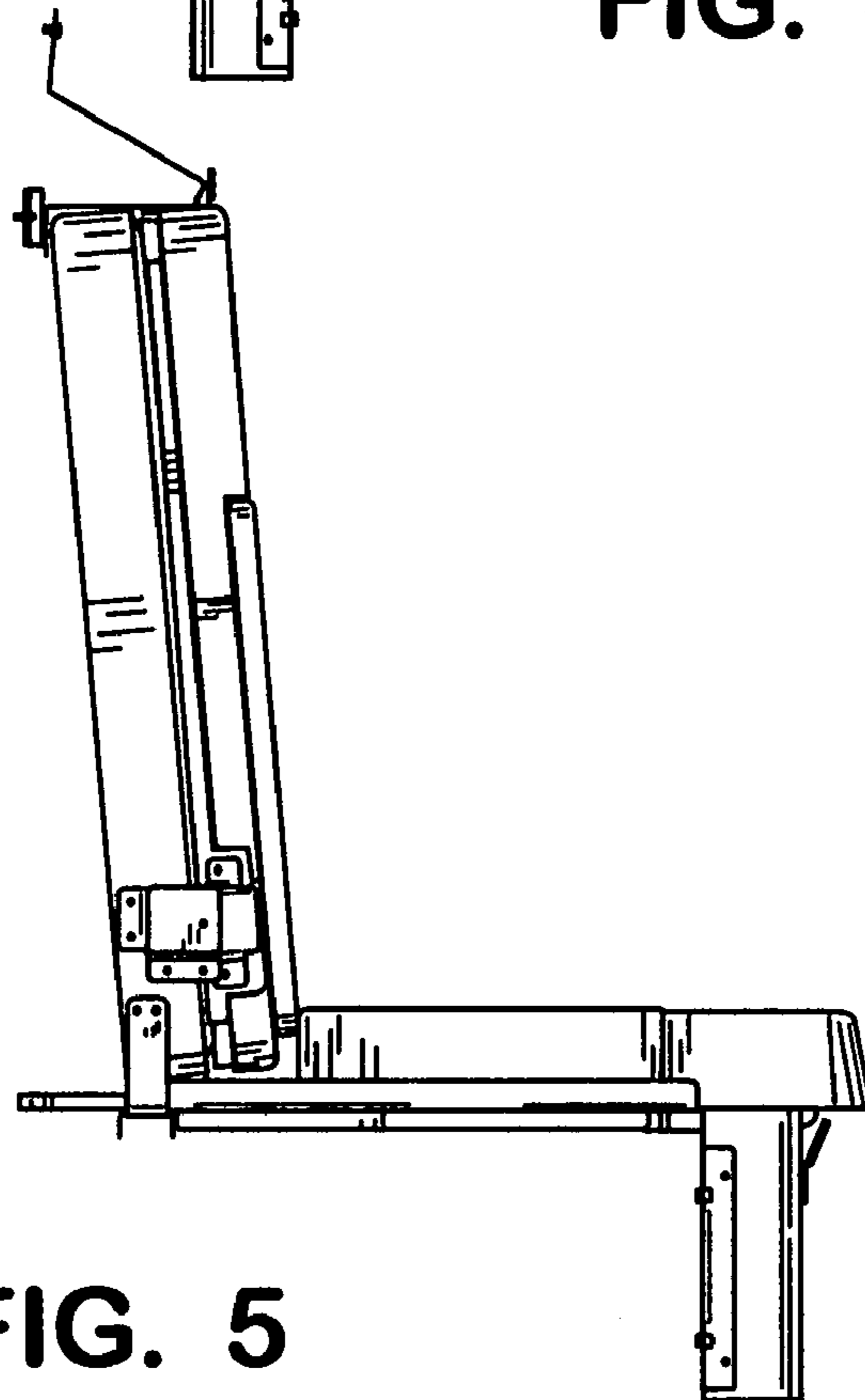


FIG. 5