



US00D556457S

(12) **United States Design Patent**
Ajootian

(10) **Patent No.:** **US D556,457 S**
(45) **Date of Patent:** **** Dec. 4, 2007**

(54) **PERSONAL CARE IMPLEMENT HANDLE**

(57) **CLAIM**

(76) Inventor: **Janice K. Ajootian**, 128 Singleton St.,
Woonsocket, RI (US) 02806

The ornamental design for a personal care implement handle, as shown and described.

(**) Term: **14 Years**

DESCRIPTION

(21) Appl. No.: **29/254,256**

(22) Filed: **Feb. 21, 2006**

(51) **LOC (8) Cl.** **04-02**

(52) **U.S. Cl.** **D4/138; D4/120**

(58) **Field of Classification Search** D4/116,
D4/119, 120, 132, 134, 137, 138; D28/7,
D28/57, 59, 63; D32/42, 51; 15/107, 114,
15/118, 244.1, 143.1, 159.1, DIG. 19; 132/75.6,
132/76.4; 401/6, 28; 601/136-138
See application file for complete search history.

FIG. 1 is a top perspective view of a personal care implement handle showing my new design;

FIG. 2 is a top plan view thereof;

FIG. 3 is a bottom plan view thereof;

FIG. 4 is a left side elevational view thereof; the right side elevational view being the mirror image thereof;

FIG. 5 is a front elevational view thereof;

FIG. 6 is a rear elevational view thereof;

FIG. 7 is a top perspective view of a modified form of a personal care implement handle showing my new design;

FIG. 8 is a top plan view of FIG. 7;

FIG. 9 is a bottom plan view of FIG. 7;

FIG. 10 is a left side elevational view of FIG. 7, the right side elevational view being the mirror image thereof;

FIG. 11 is a front elevational view of FIG. 7; and,

FIG. 12 is a rear elevational view of FIG. 7.

The broken lines showing a bristle support, bristles, and pumice stone in FIGS. 1-12 and the supporting opening in FIGS. 7-9 and 12 are included for the purpose of showing environmental structure that forms no part of the claimed design.

(56) **References Cited**

U.S. PATENT DOCUMENTS

1,012,653	A *	12/1911	Knickerbocker	401/28
1,841,208	A *	1/1932	Retz	451/491
D387,480	S *	12/1997	Esraelian	D28/7
D419,724	S *	1/2000	Chang	D28/59
D452,631	S *	1/2002	Knorr	D7/395
D512,225	S *	12/2005	Chien	D4/120
D521,249	S *	5/2006	Hay et al.	D4/138
7,174,595	B2 *	2/2007	Chen	15/110

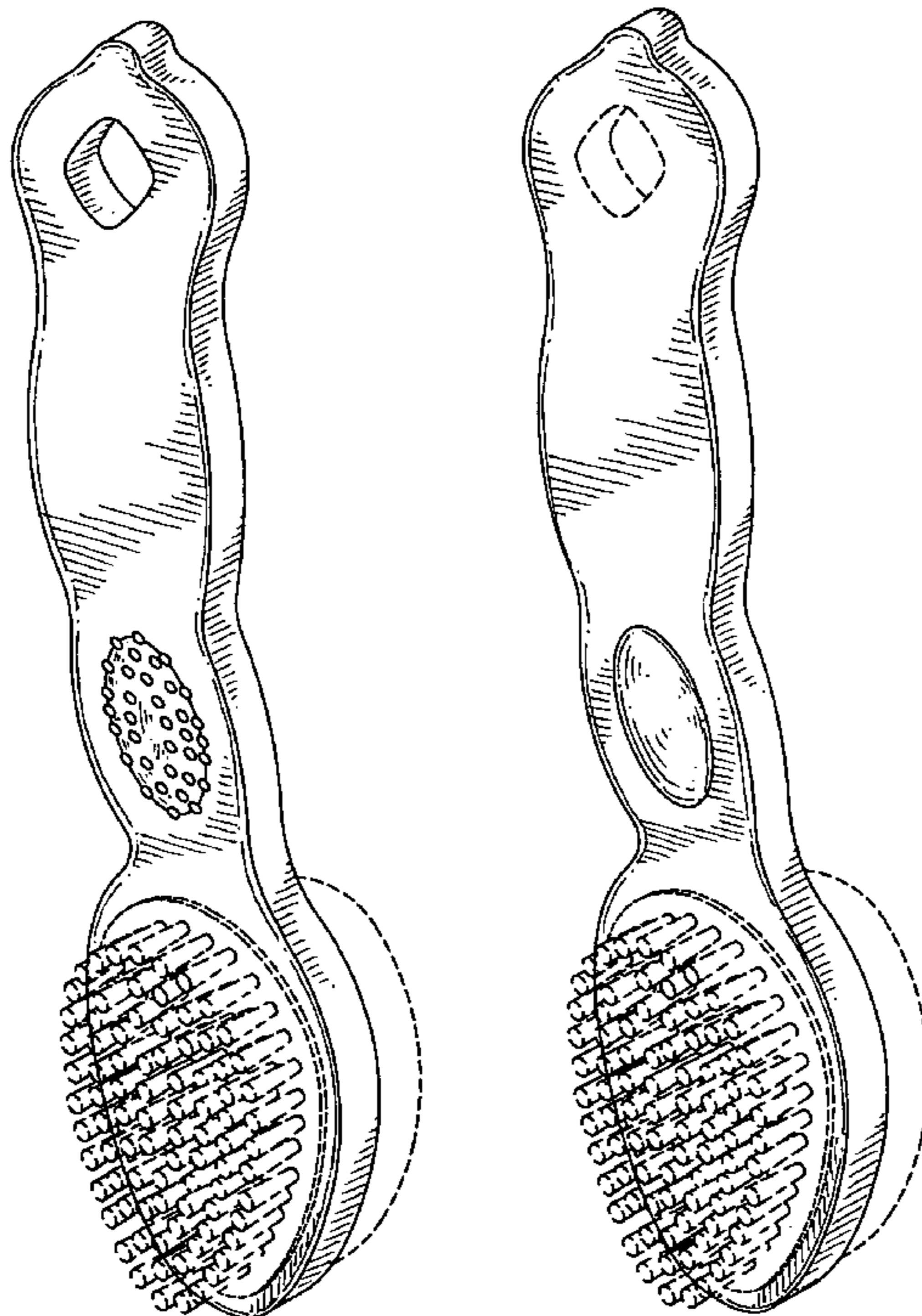
* cited by examiner

Primary Examiner—Cathron Brooks

Assistant Examiner—Lavone D. Tabor

(74) *Attorney, Agent, or Firm*—Robert J Doherty

1 Claim, 6 Drawing Sheets



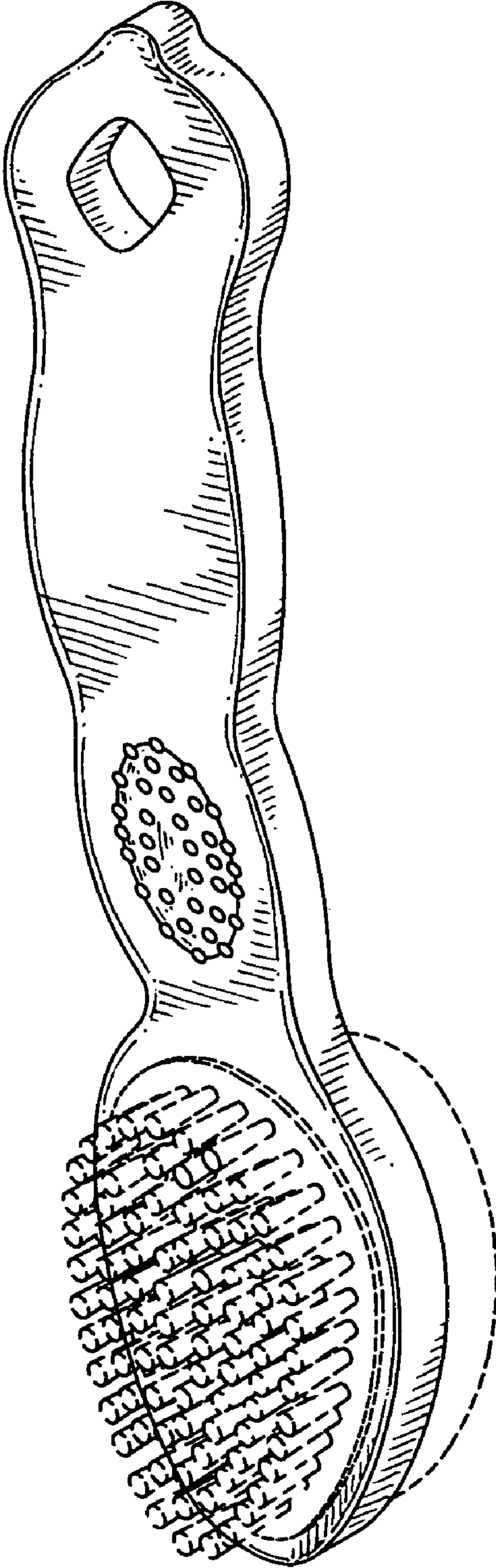


FIG. 1

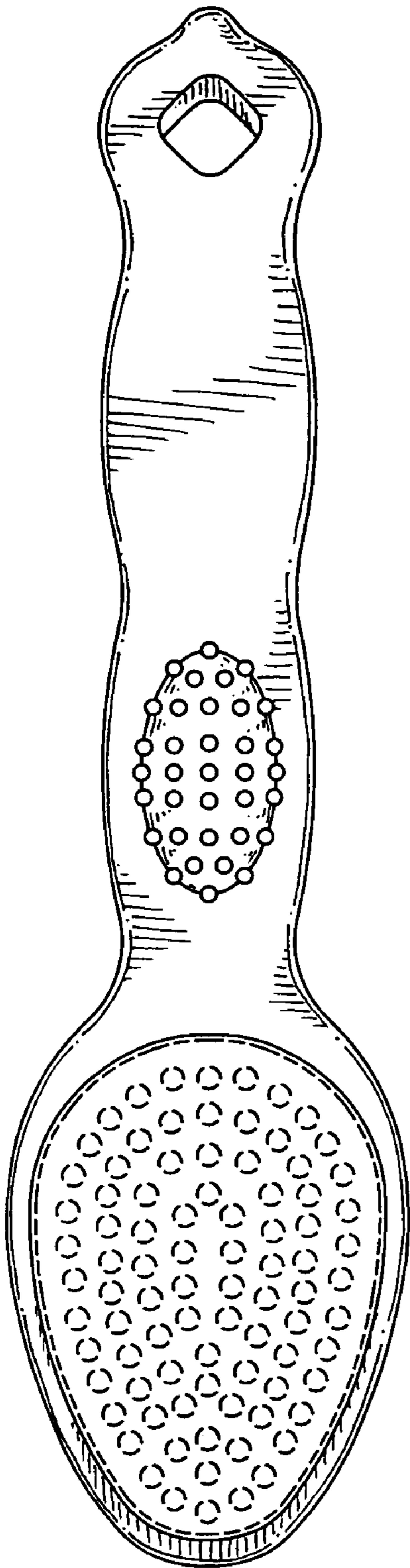


FIG. 2

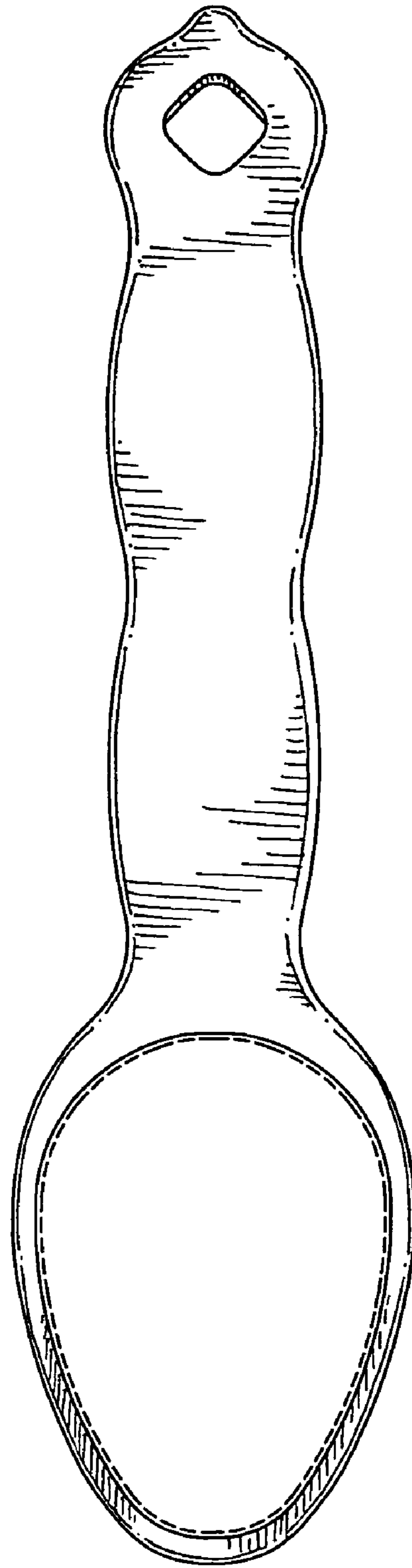


FIG. 3

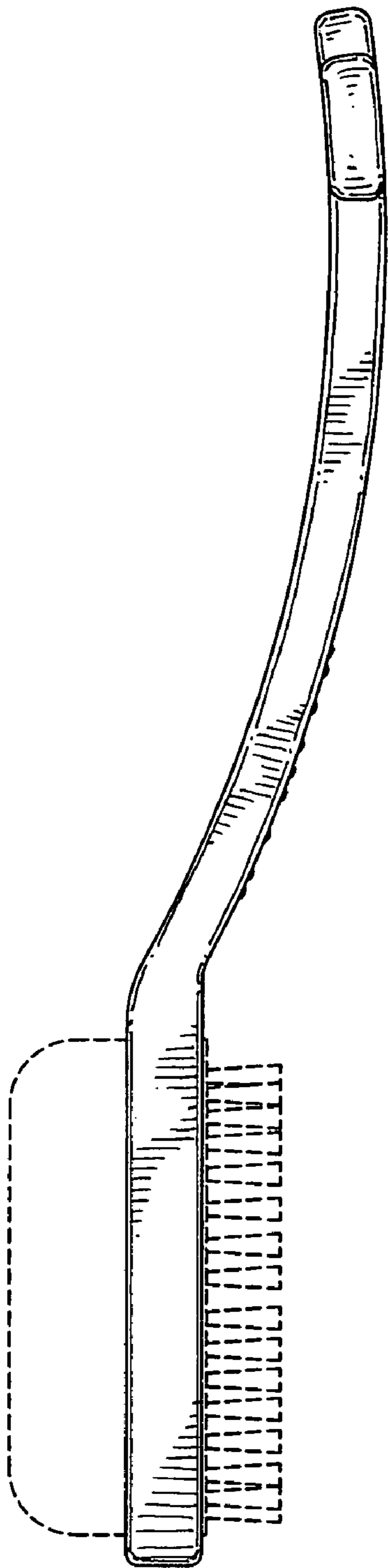


FIG. 4

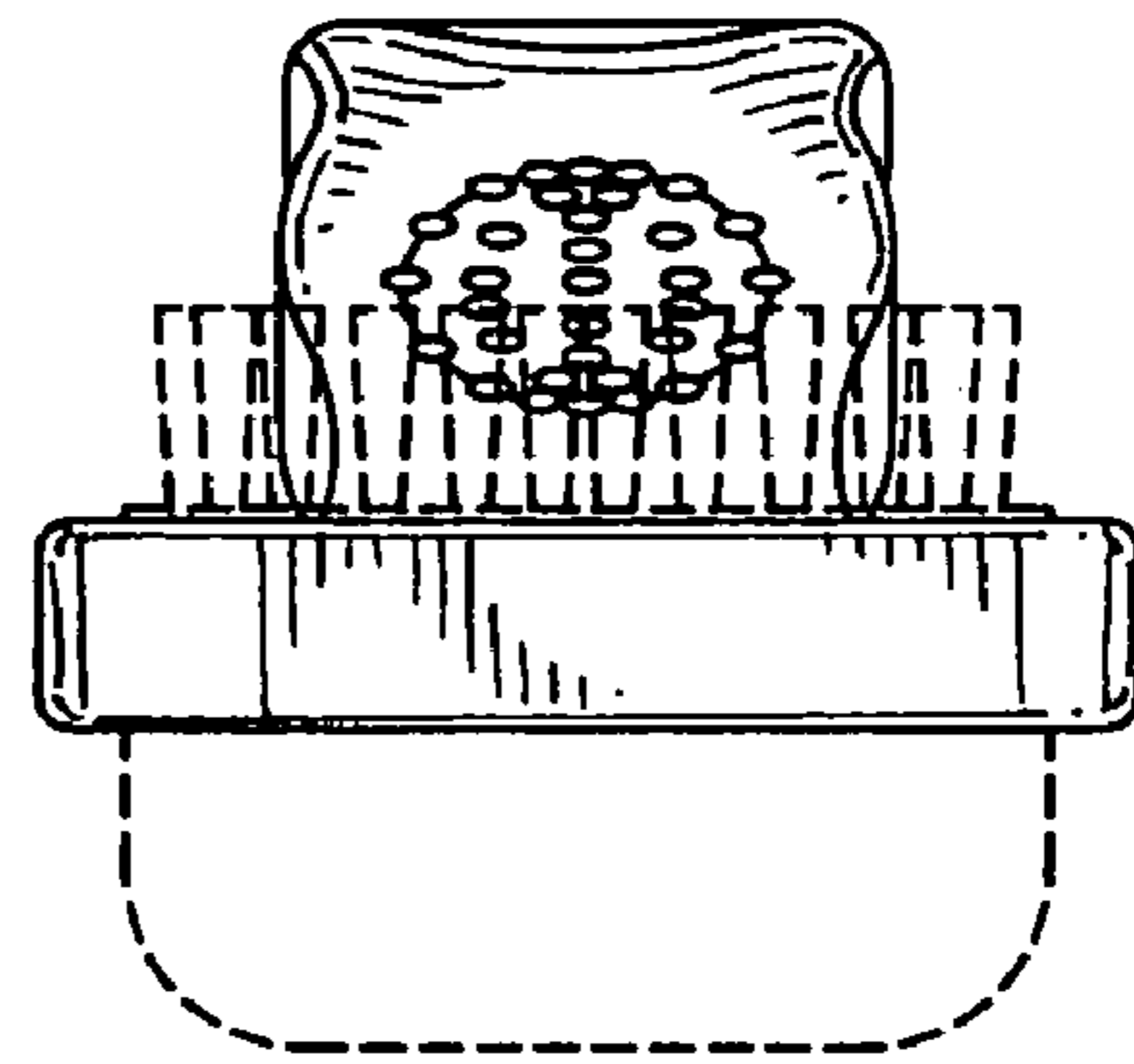


FIG. 5

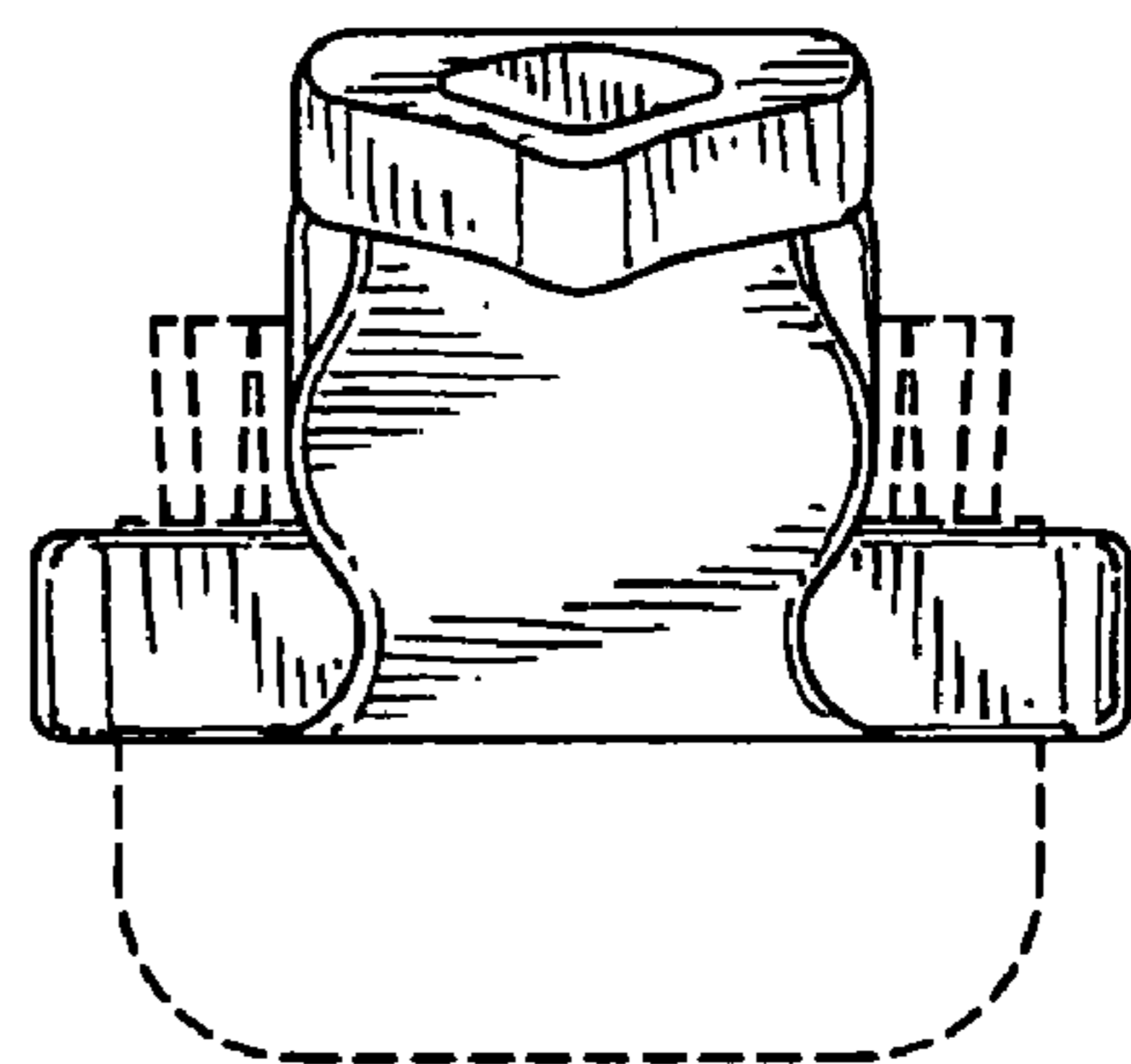


FIG. 6

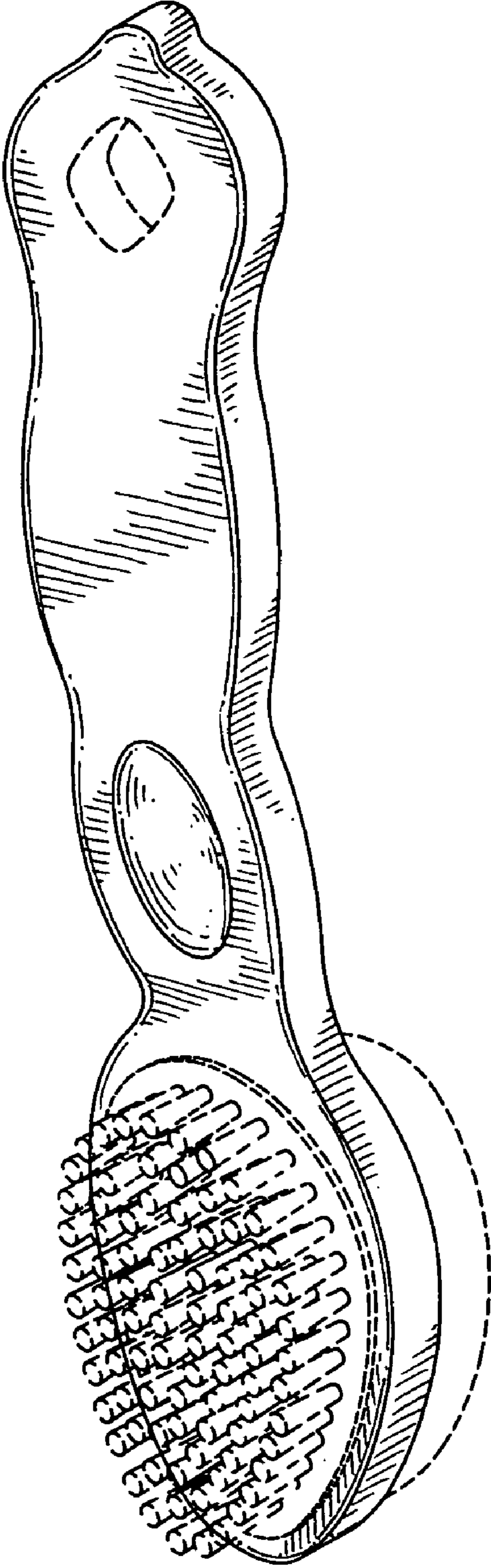


FIG. 7

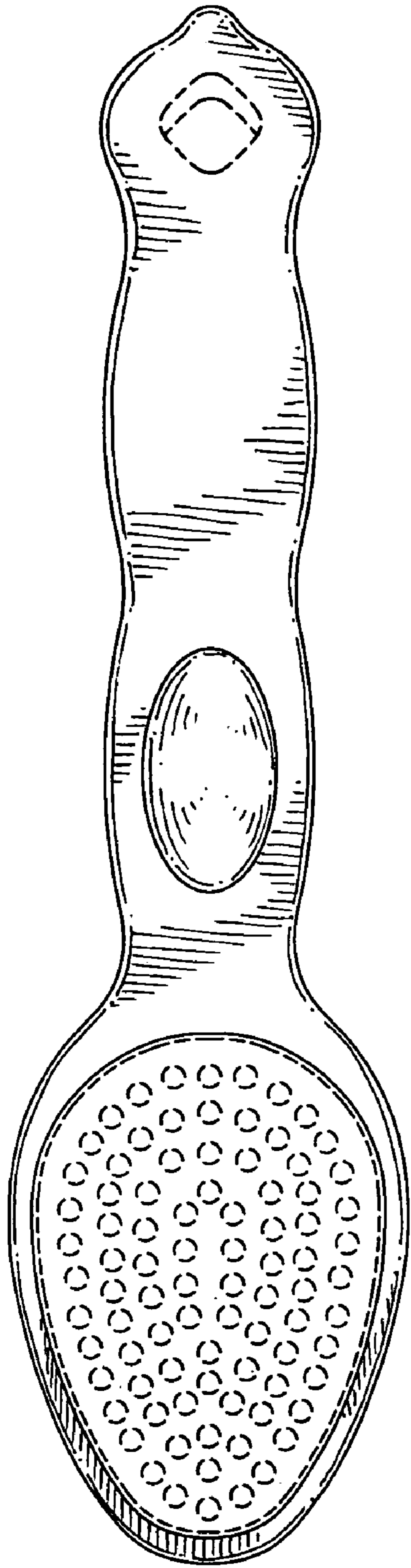


FIG. 8

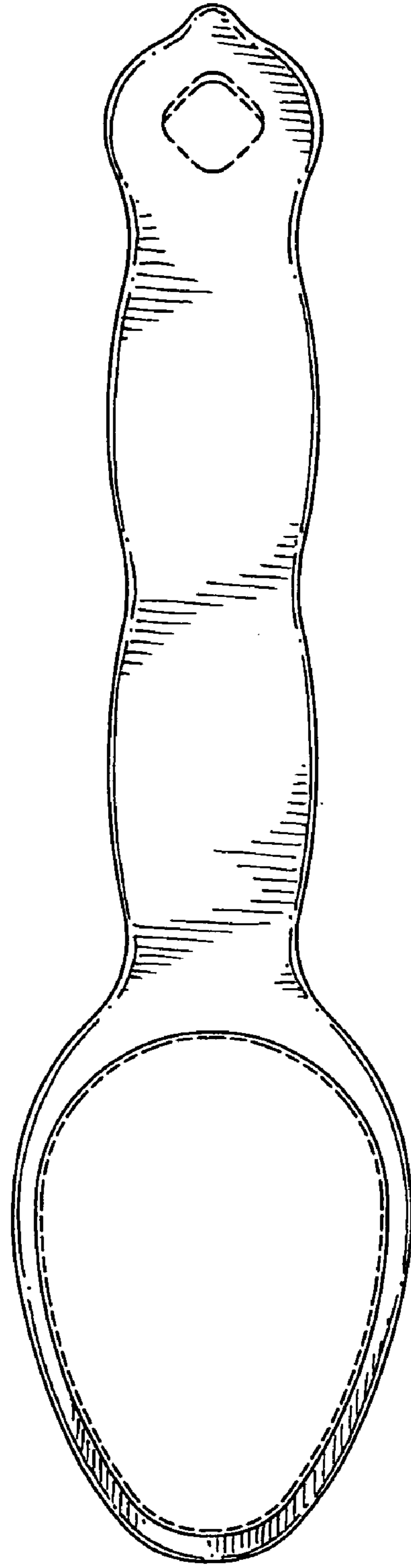


FIG. 9

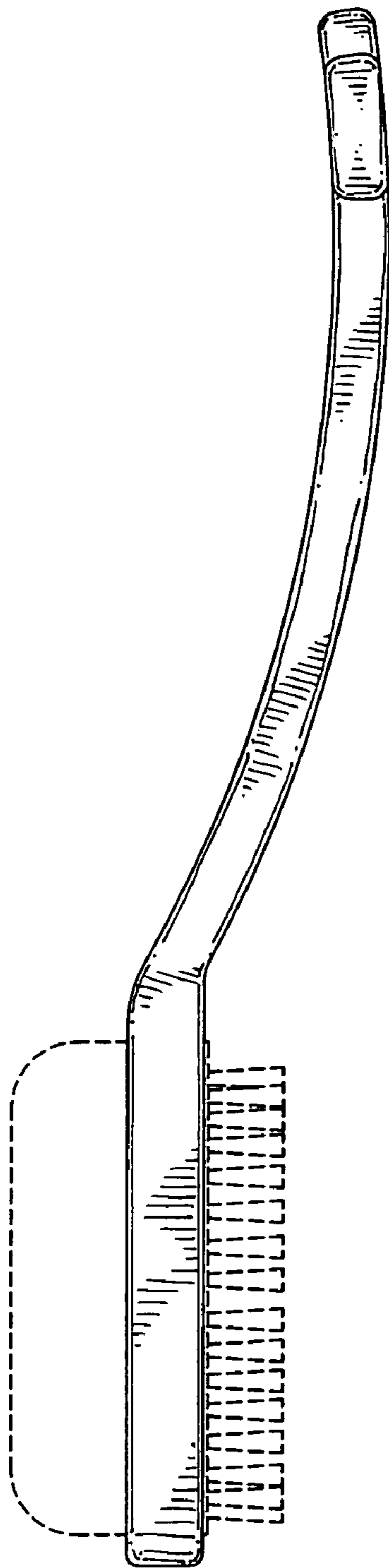


FIG. 10

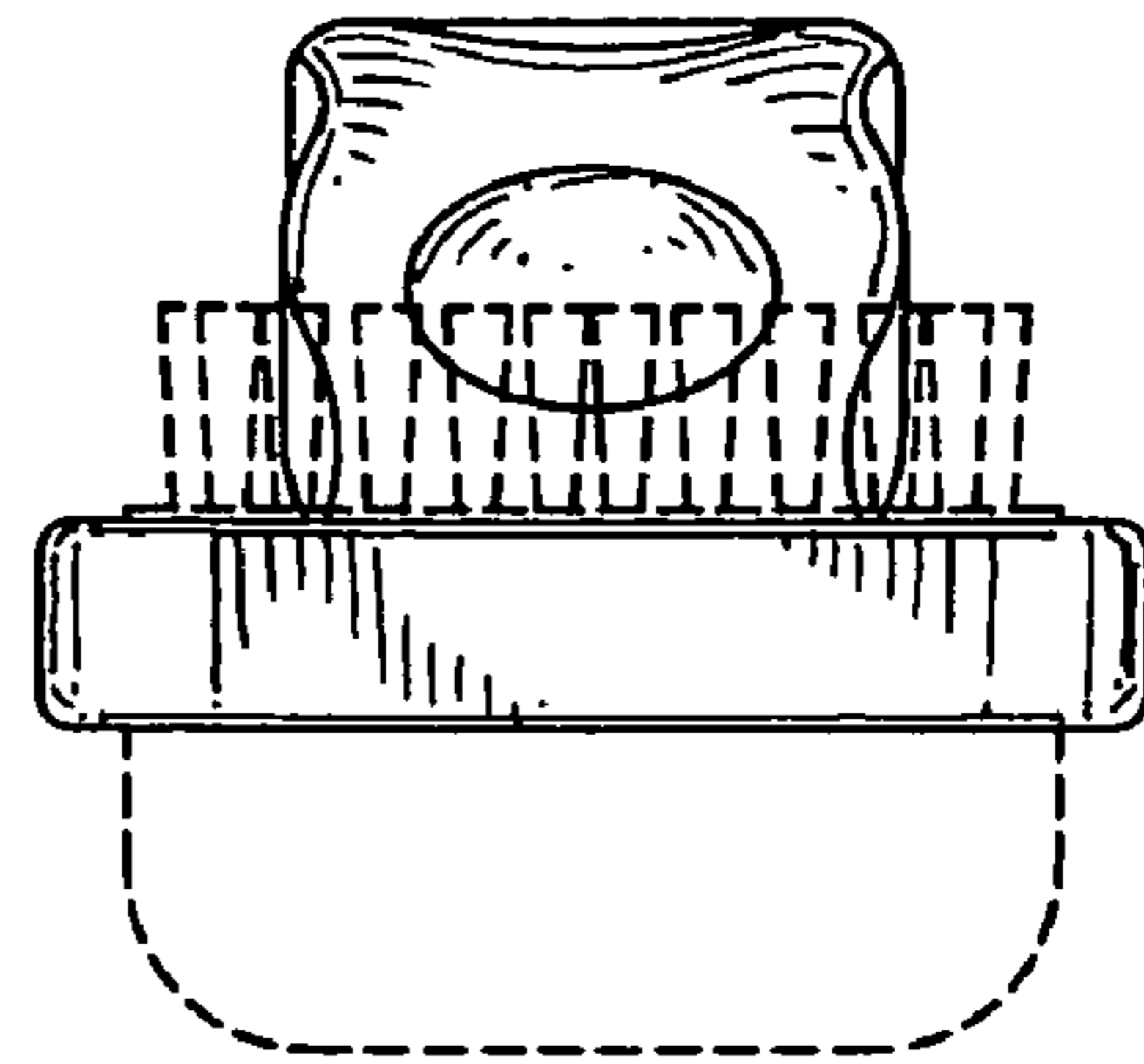


FIG. 11

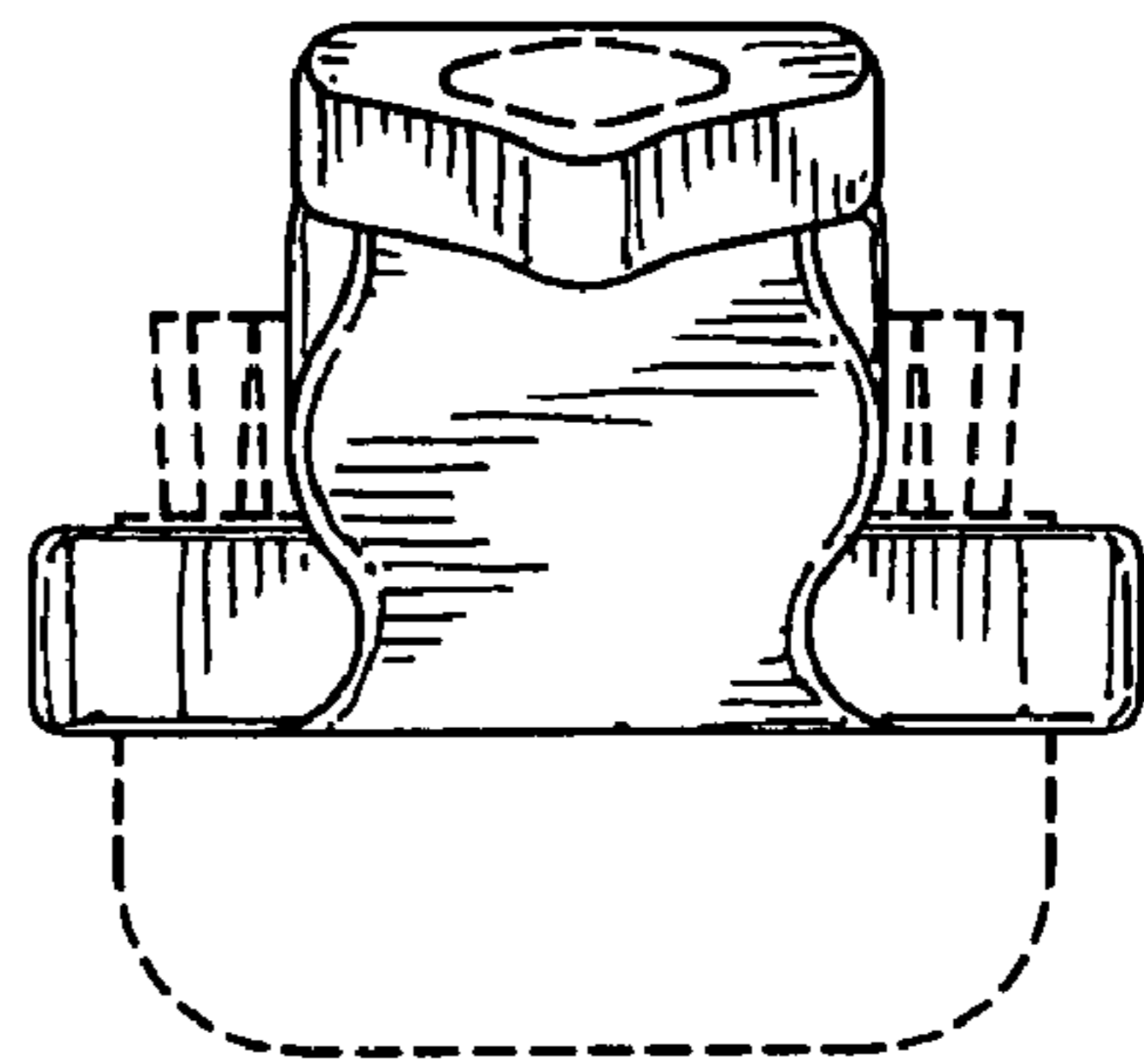


FIG. 12