



US00D556455S

(12) **United States Design Patent**
Williams

(10) **Patent No.:** **US D556,455 S**
(45) **Date of Patent:** **** Dec. 4, 2007**

(54) **COMPACT TOOTHBRUSH WITH FLOSS**

(57) **CLAIM**

(75) **Inventor:** **N. H. Trey Williams**, Wichita Falls, TX (US)

The ornamental design for a compact toothbrush with floss, as shown and described.

(73) **Assignee:** **TLC Dental**, Wichita Falls, TX (US)

(**) **Term:** **14 Years**

DESCRIPTION

(21) **Appl. No.:** **29/254,537**

(22) **Filed:** **Feb. 24, 2006**

(51) **LOC (8) Cl.** **04-02**

(52) **U.S. Cl.** **D4/108; D4/121**

(58) **Field of Classification Search** D4/104-112,
D4/114, 121, 134, 138; 15/167.1, 167.2,
15/184, 185; 132/308, 309, 311; 401/183,
401/184, 272, 278

See application file for complete search history.

FIG. 1 is a perspective view of the compact toothbrush with floss embodying the present invention in the open position;

FIG. 2 is a perspective view of the compact toothbrush with floss embodying the present invention in the closed position;

FIG. 3 is a left end view of the compact toothbrush with floss in the closed position;

FIG. 4 is a right end view of the compact toothbrush with floss in the closed position;

FIG. 5 is a front view of the compact toothbrush with floss embodying the present invention in the closed position;

FIG. 6 is a front view of the compact toothbrush with floss embodying the present invention in the open position;

FIG. 7 is a top view of the compact toothbrush with floss embodying the present invention in the open position;

FIG. 8 is a bottom view of the compact toothbrush with floss embodying the present invention in the open position;

FIG. 9 is a top view of the compact toothbrush with floss embodying the present invention in the closed position; and,

FIG. 10 is a bottom view of the compact toothbrush with floss embodying the present invention in the closed position.

The broken line showing of toothpaste is included for the purpose of illustrating environment and forms no part of the claimed design.

(56) **References Cited**

U.S. PATENT DOCUMENTS

2,740,149	A *	4/1956	Carlson	15/185
2,947,013	A *	8/1960	Silverman	15/105
3,278,965	A *	10/1966	Frazier	15/184
3,816,007	A *	6/1974	Fox	401/146
D300,691	S *	4/1989	Ambasz	D4/108
D362,341	S *	9/1995	Sprague	D4/108
5,599,126	A *	2/1997	Hough	401/184
D516,317	S *	3/2006	Wong	D4/108

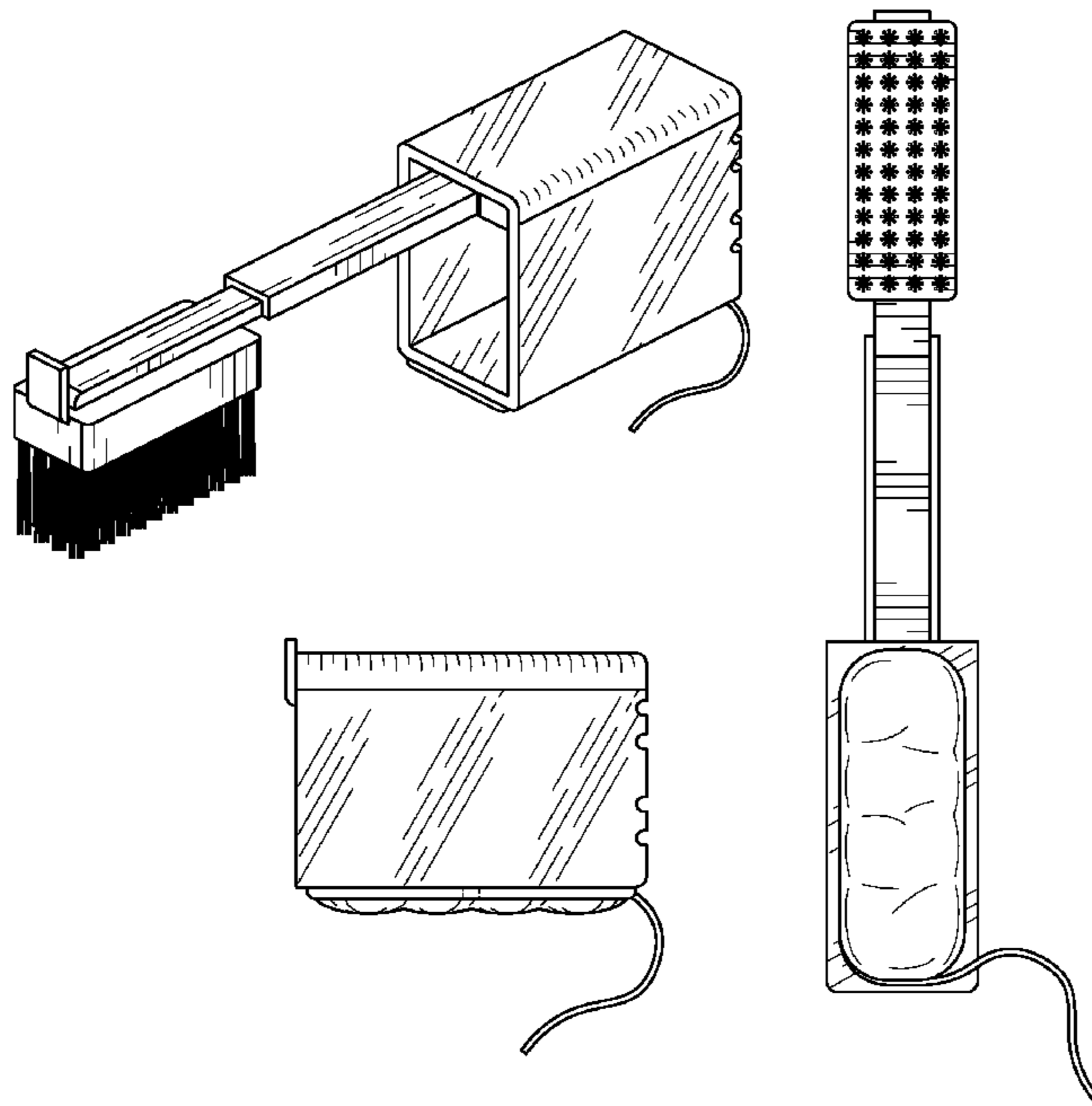
* cited by examiner

Primary Examiner—Cathron C. Brooks

Assistant Examiner—Lavone D. Tabor

(74) *Attorney, Agent, or Firm*—David W. Carstens; Carstens & Cahoon, LLP

1 Claim, 3 Drawing Sheets



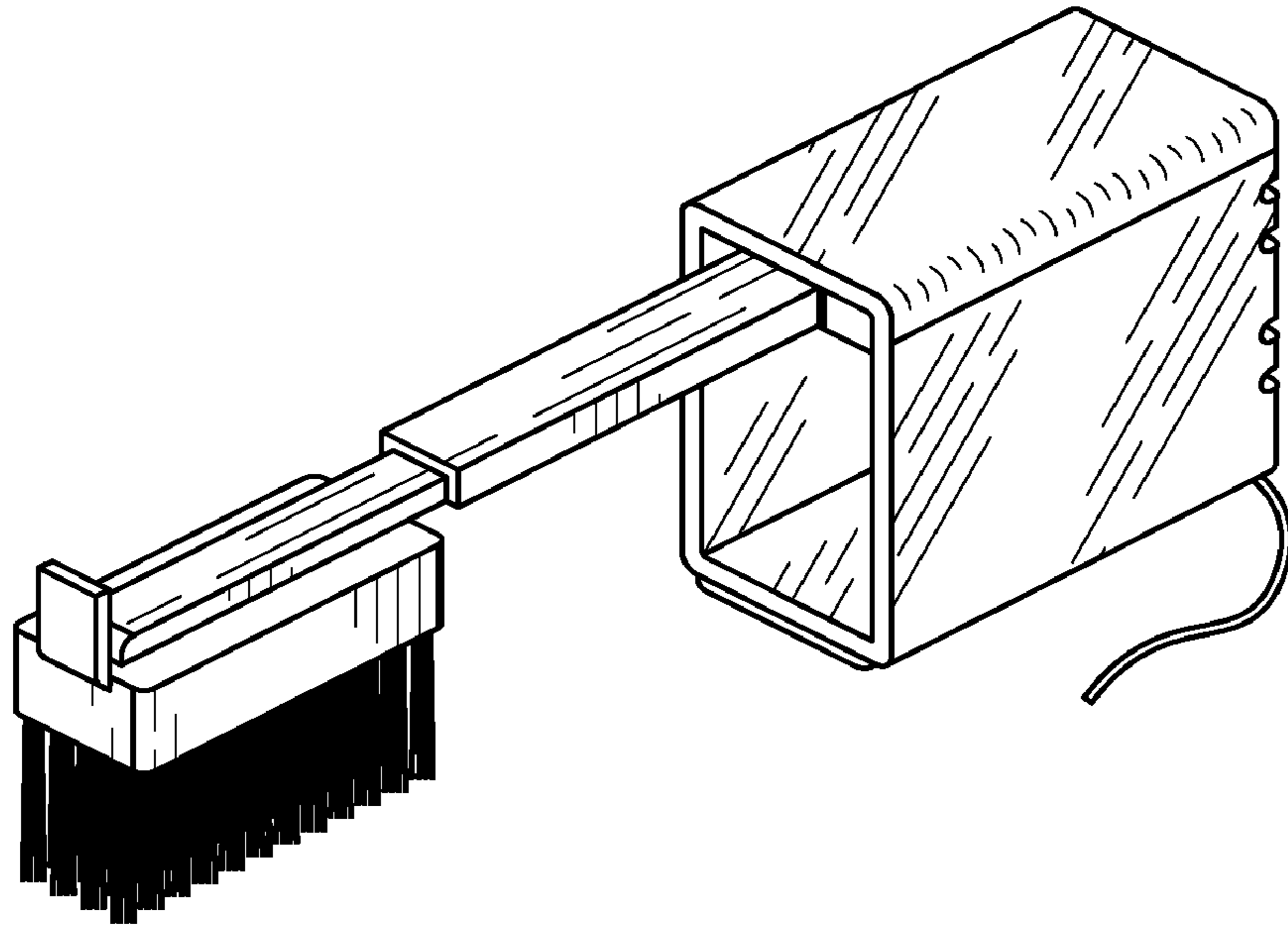


FIG. 1

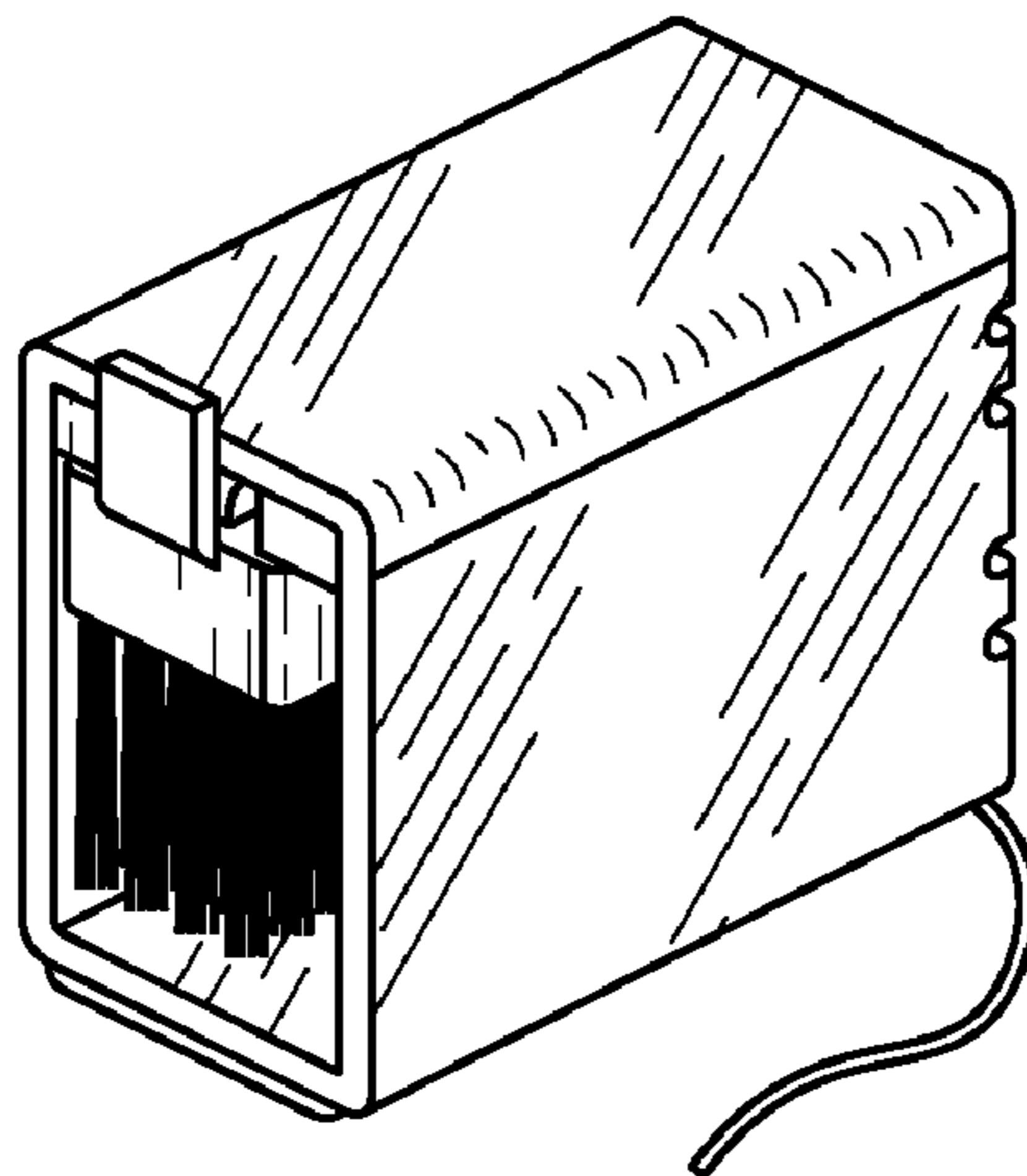


FIG. 2

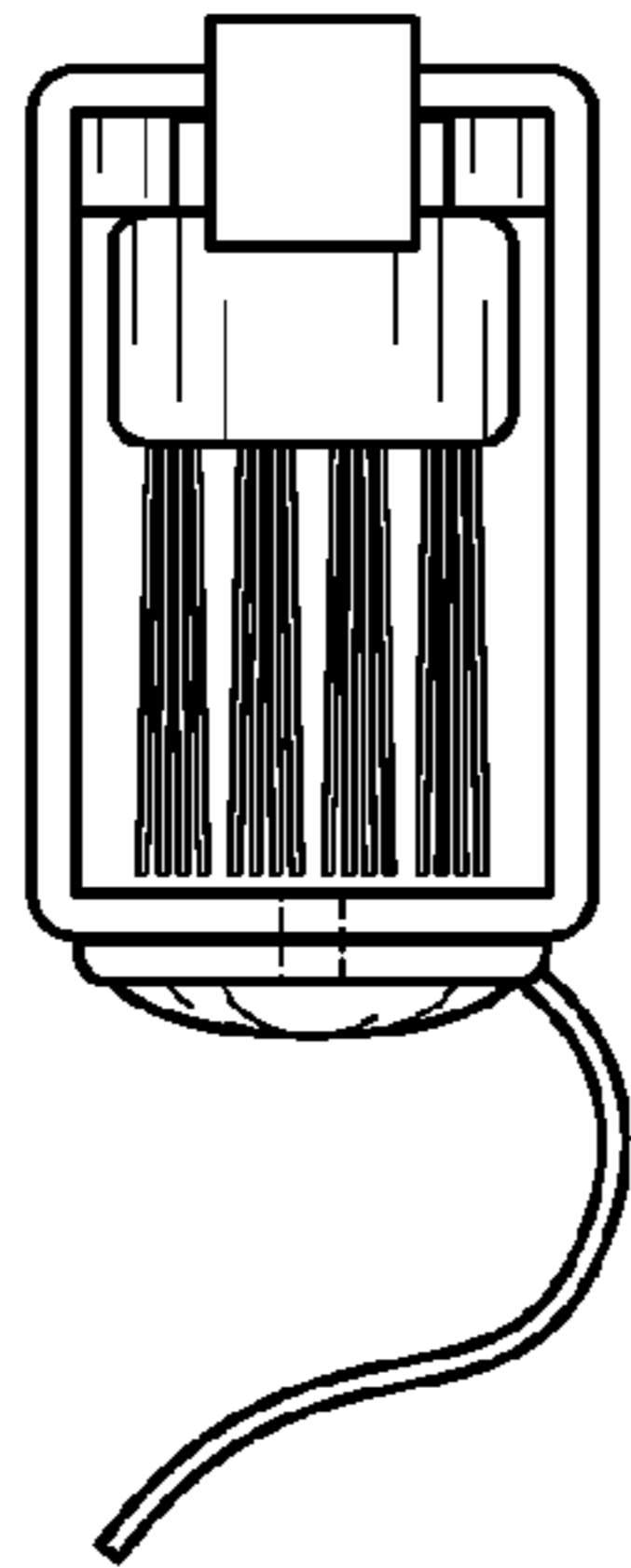


FIG. 3

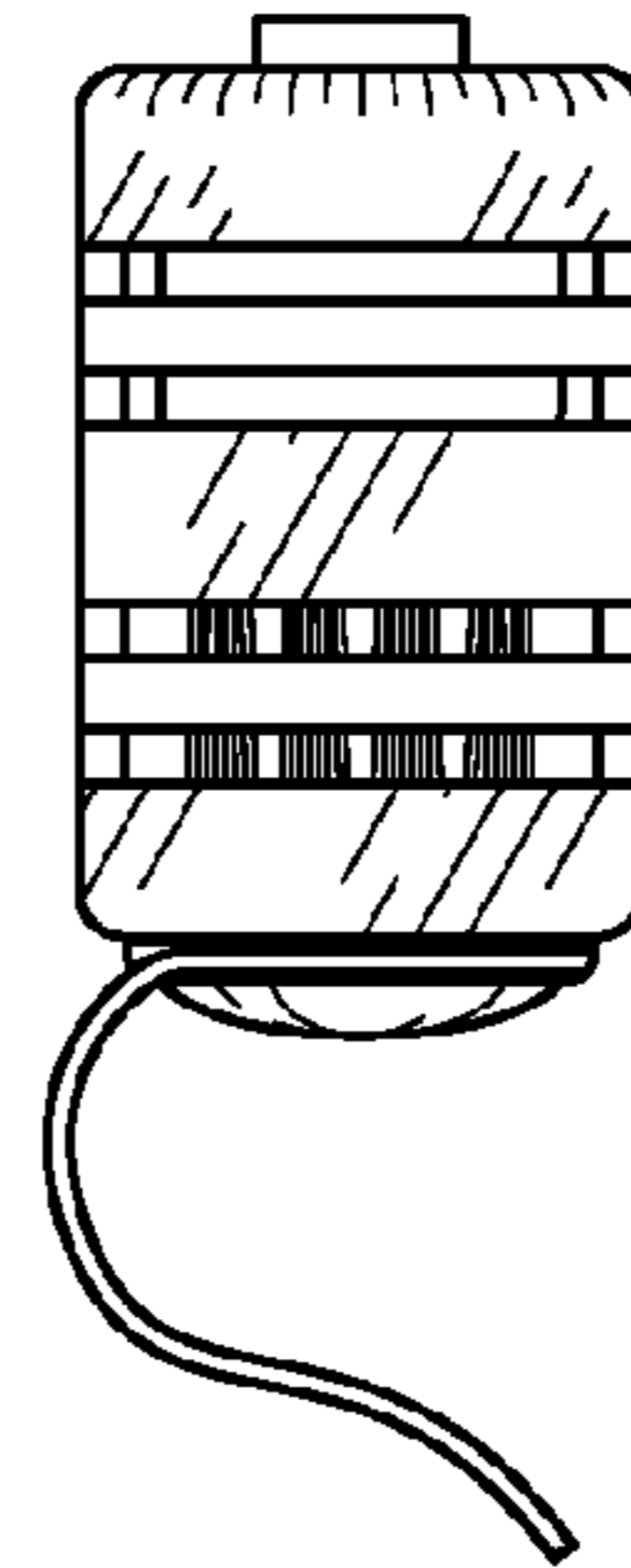


FIG. 4

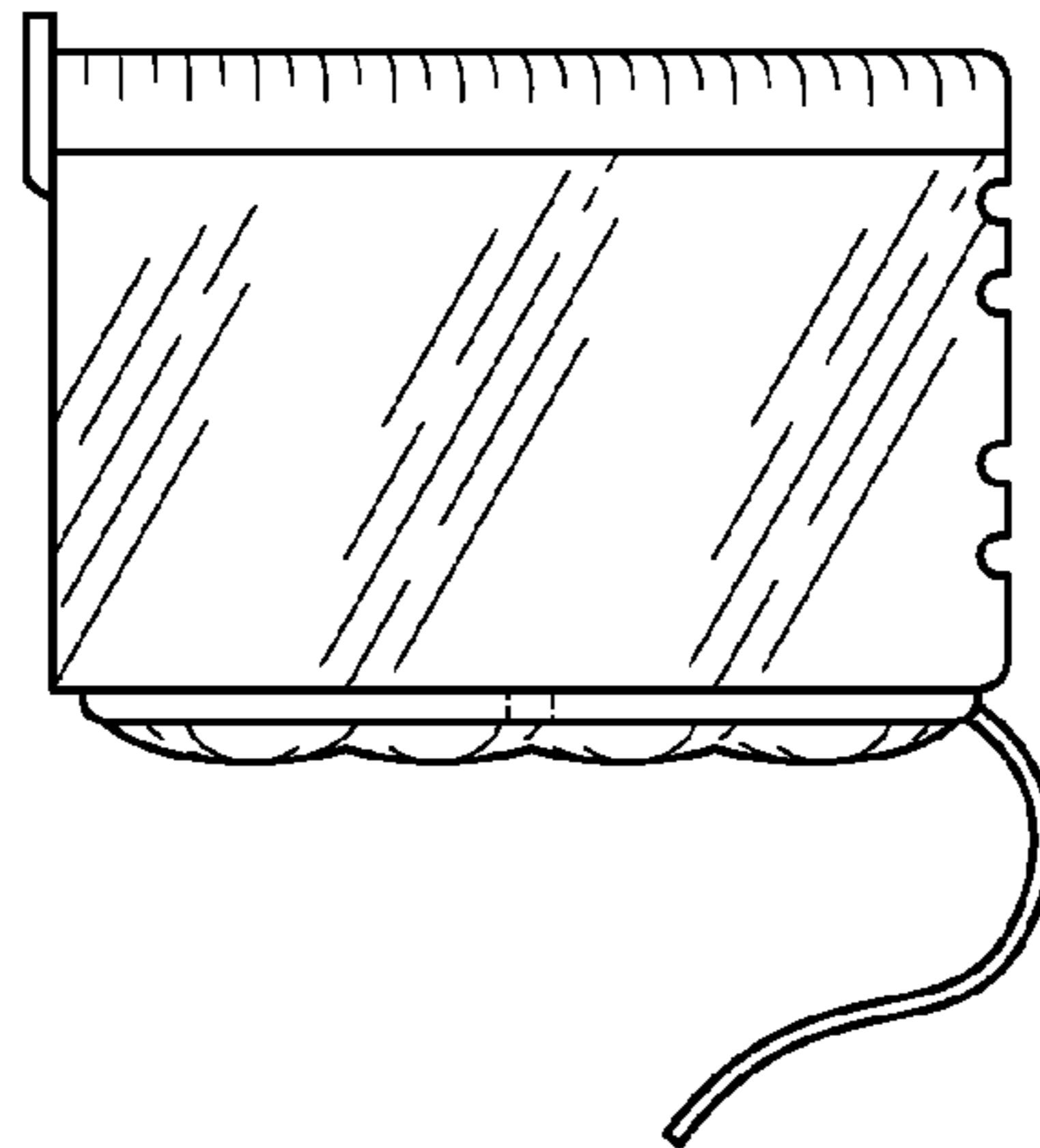


FIG. 5

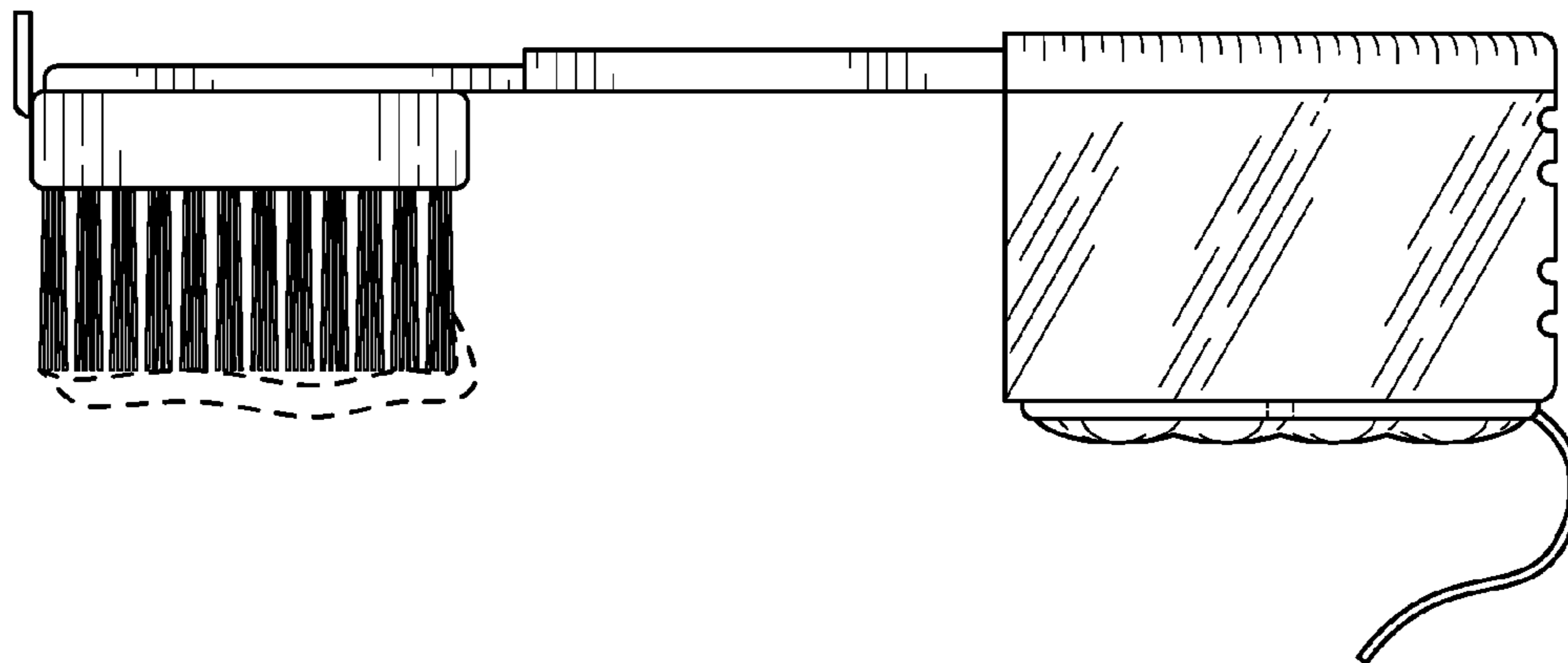


FIG. 6

