



US00D556453S

(12) **United States Design Patent**
Sprosta et al.

(10) **Patent No.:** **US D556,453 S**

(45) **Date of Patent:** **** Dec. 4, 2007**

(54) **TOOTHBRUSH**

D488,301 S * 4/2004 Xi D4/107
D507,406 S * 7/2005 Kemp et al. D4/107

(75) Inventors: **Al A. Sprosta**, Union, NJ (US); **Wen Jin Xi**, Shanghai (CN); **Tau Dai**, Edison, NJ (US)

* cited by examiner

Primary Examiner—Cathron C. Brooks

Assistant Examiner—Lavone D. Tabor

(73) Assignee: **Colgate-Palmolive Company**, New York, NY (US)

(74) *Attorney, Agent, or Firm*—Michael Wallace, Jr.

(**) Term: **14 Years**

(57) **CLAIM**

(21) Appl. No.: **29/260,798**

The ornamental design for a toothbrush, as shown and described.

(22) Filed: **Jun. 1, 2006**

DESCRIPTION

(51) **LOC (8) Cl.** **04-02**

FIG. 1 is a front view of a toothbrush showing our new design;

(52) **U.S. Cl.** **D4/107**

FIG. 2 is a right side view thereof, the left side view being identical thereto;

(58) **Field of Classification Search** D4/104-112,
D4/124, 134, 138; 15/143.1, 167.1, 167.2,
15/186-188; 132/308, 309

FIG. 3 is a rear view thereof;

See application file for complete search history.

FIG. 4 is a top view thereof;

FIG. 5 is a bottom view thereof;

(56) **References Cited**

U.S. PATENT DOCUMENTS

D428,704 S * 8/2000 Wildman D4/107
D443,765 S * 6/2001 Porter D4/107
D452,381 S * 12/2001 Cheong et al. D4/107

FIG. 6 is a right, frontal perspective view thereof; and,

FIG. 7 is a left, rear perspective view thereof.

1 Claim, 3 Drawing Sheets

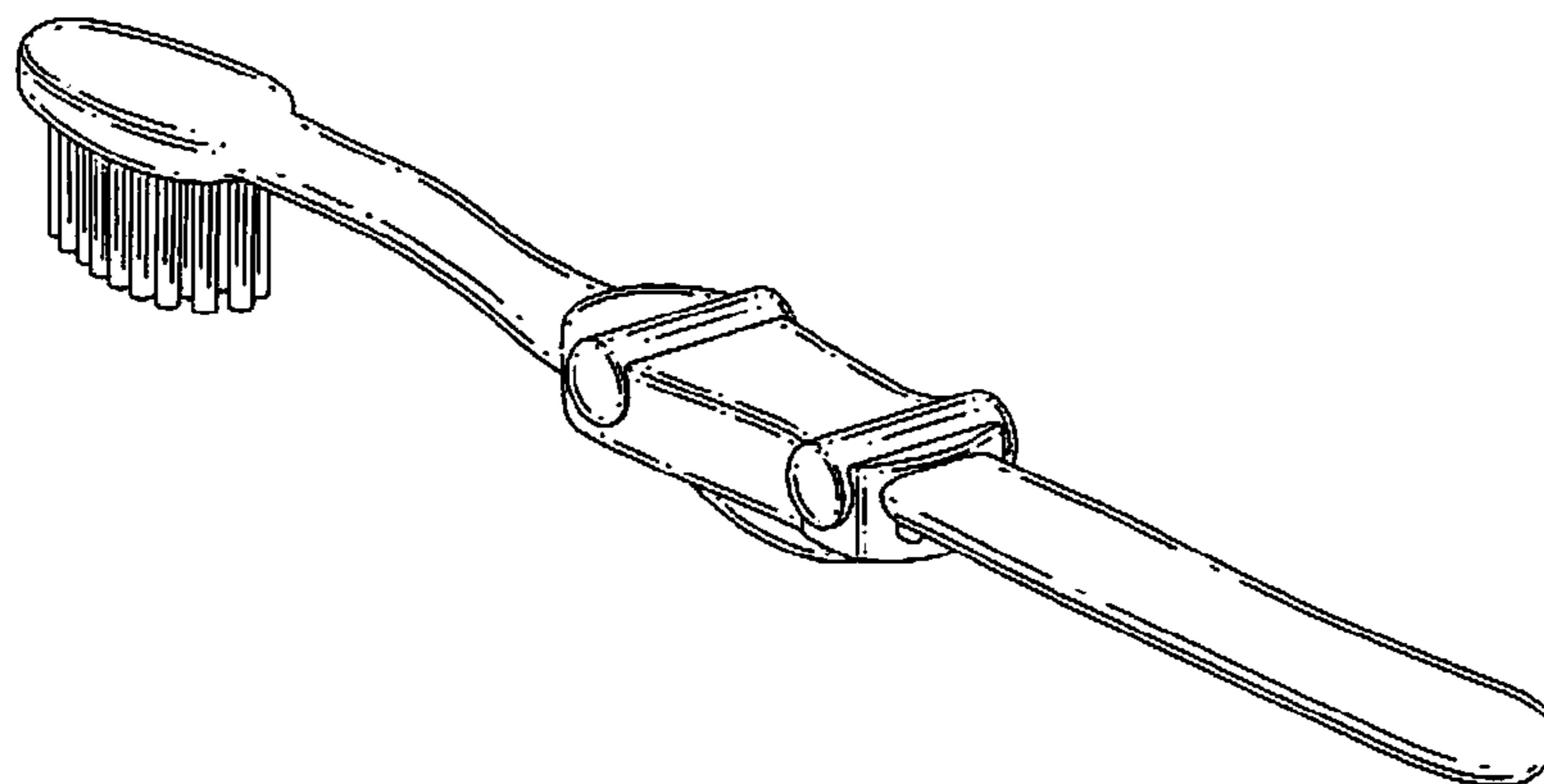
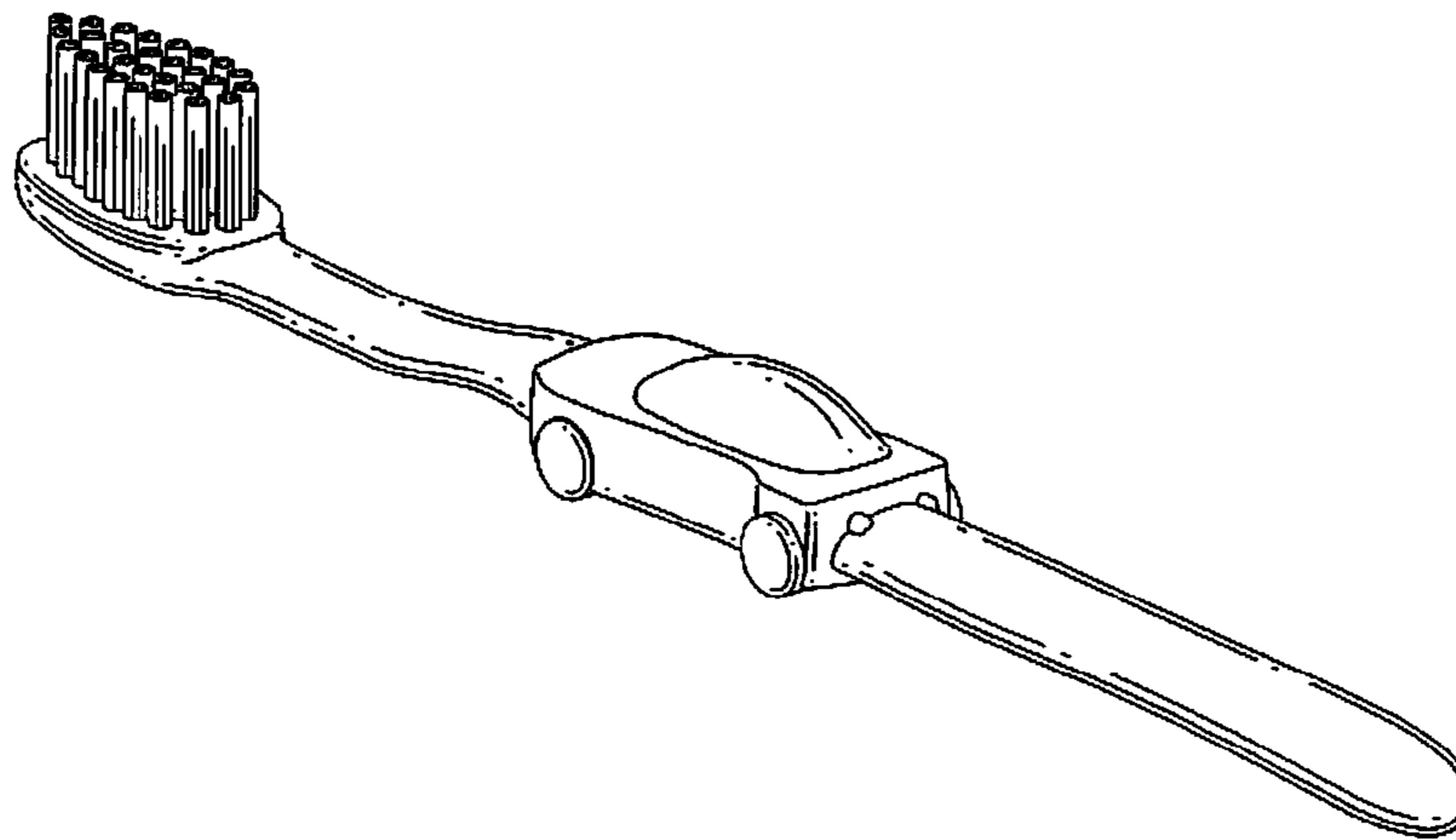


FIG. 1

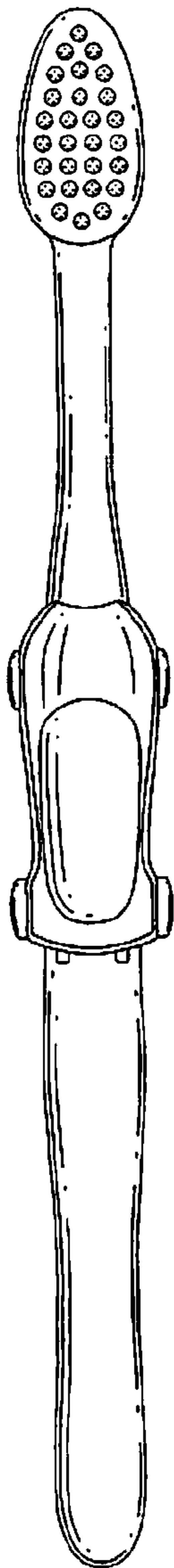


FIG. 2

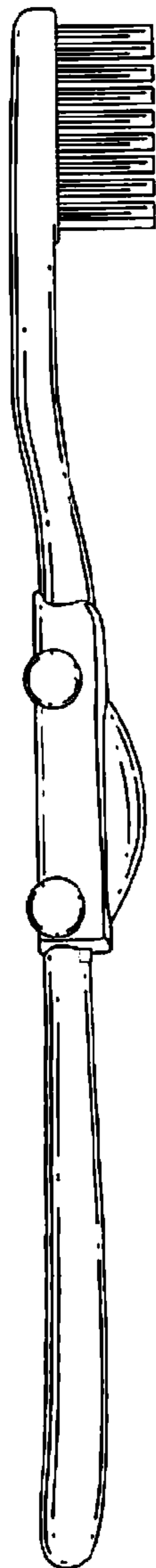


FIG. 3

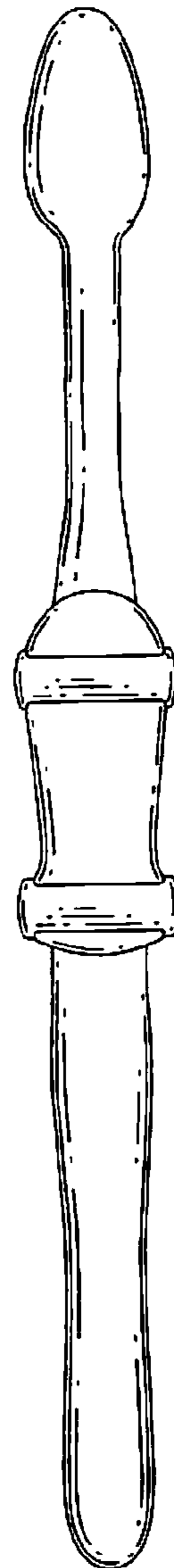


FIG. 4

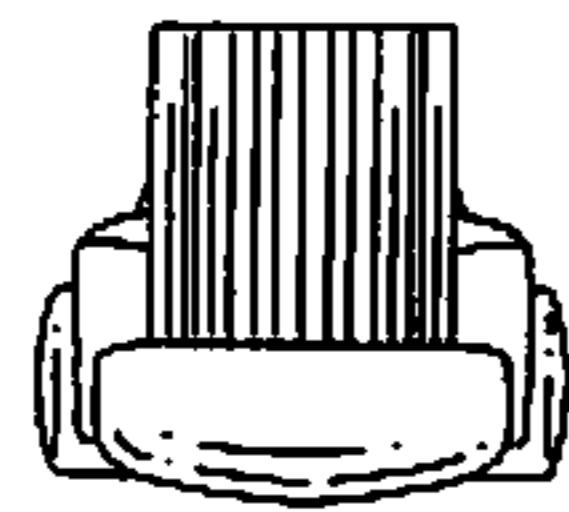
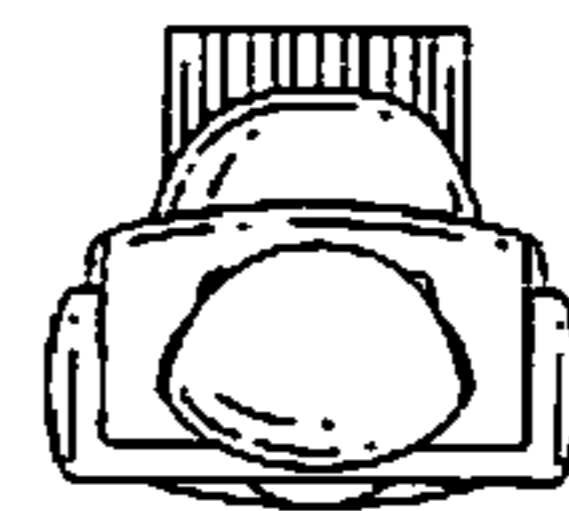


FIG. 5



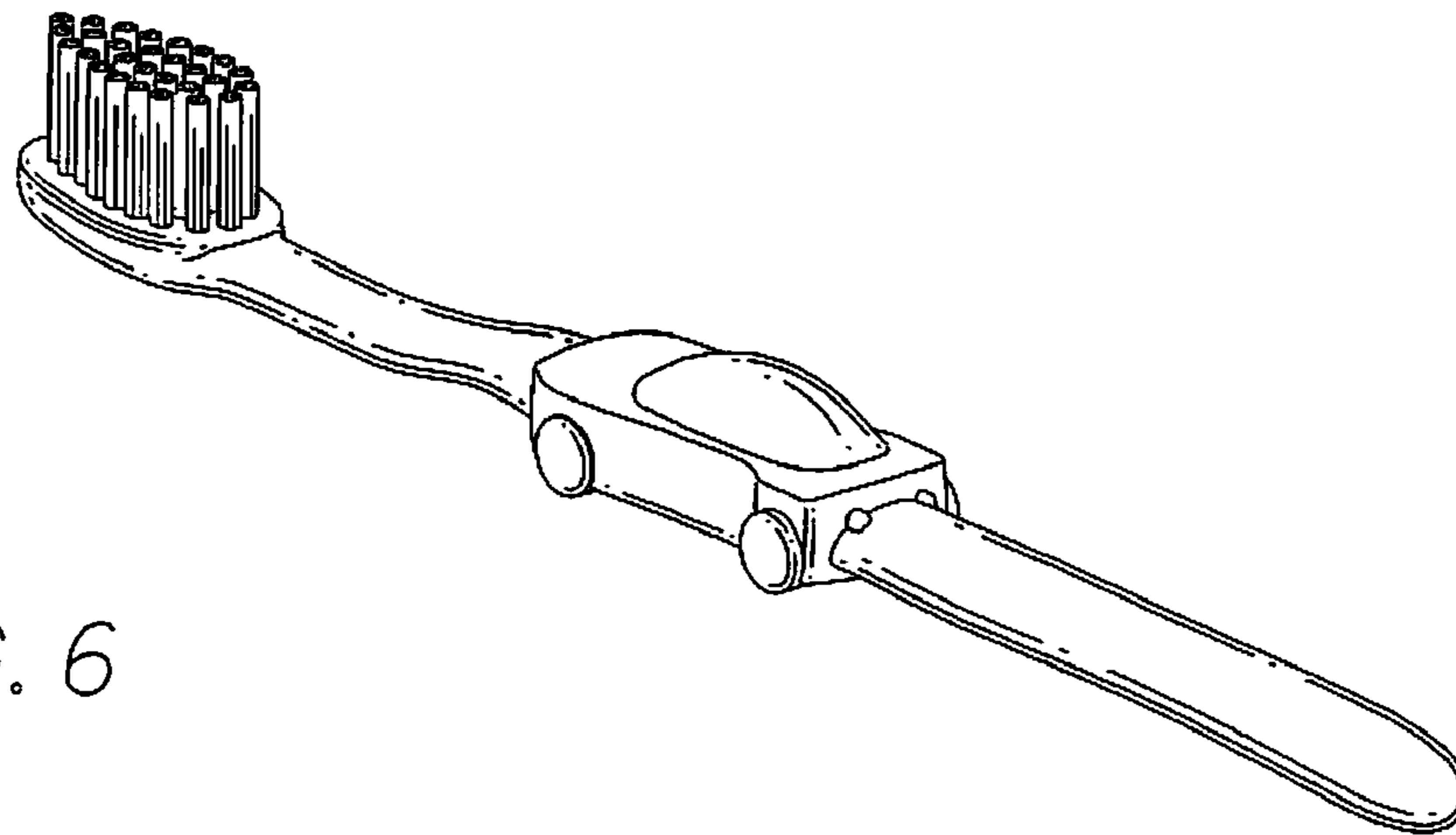


FIG. 6

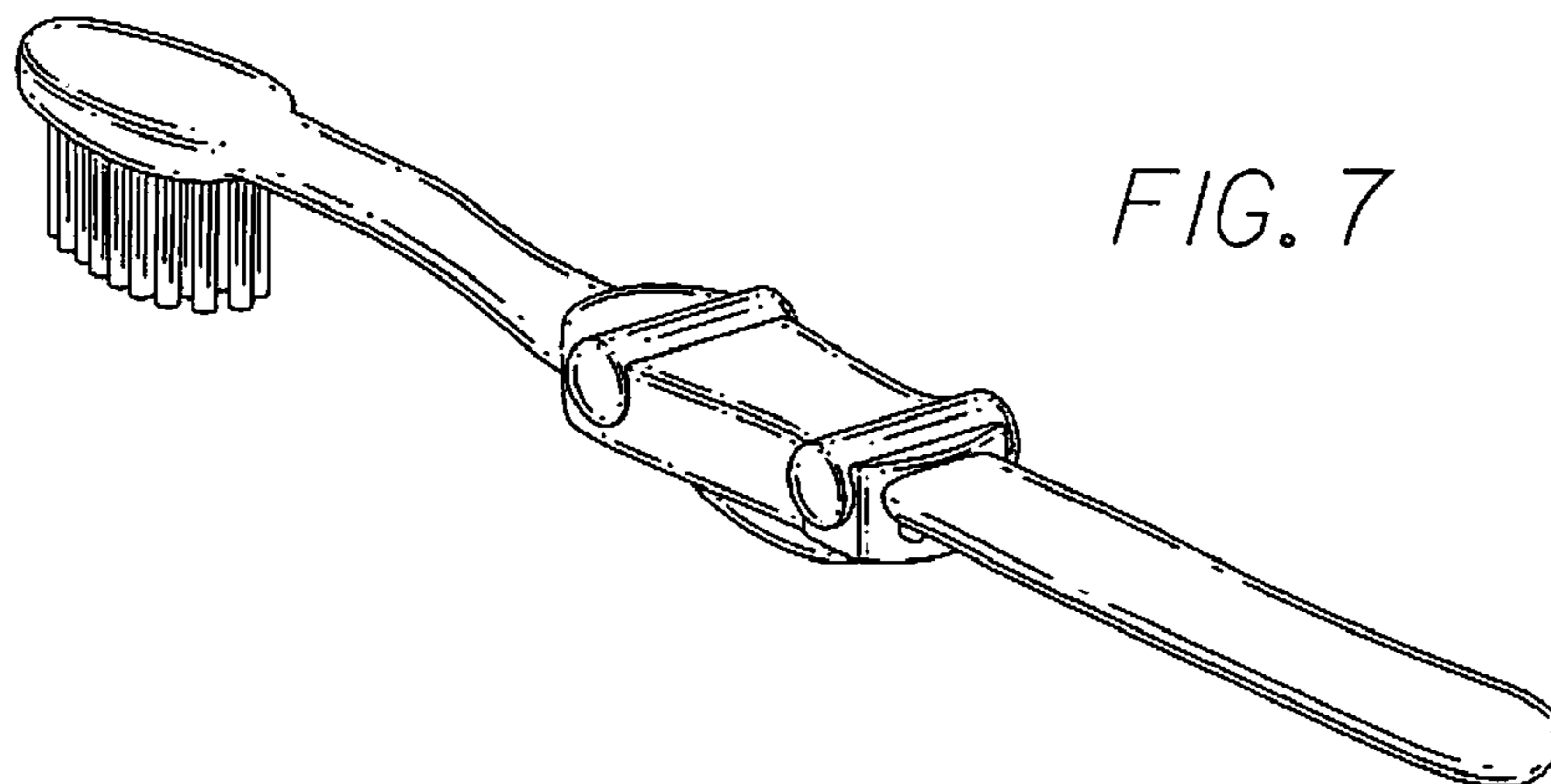


FIG. 7