



US00D556451S

(12) **United States Design Patent**
McDonald

(10) **Patent No.:** **US D556,451 S**

(45) **Date of Patent:** **** Dec. 4, 2007**

(54) **DOCK LOCKER**

D531,408 S * 11/2006 Arce et al. D3/294
D540,992 S * 4/2007 Fick D3/294
D543,350 S * 5/2007 Sanderson D3/201

(75) Inventor: **Martin K. McDonald**, Claremore, OK
(US)

* cited by examiner

(73) Assignee: **HydroHoist International, Inc.**,
Claremore, OK (US)

Primary Examiner—Brian N Vinson
(74) *Attorney, Agent, or Firm*—Frank J. Catalano

(**) Term: **14 Years**

(57) **CLAIM**

(21) Appl. No.: **29/270,277**

I claim the ornamental design for dock locker, as shown.

(22) Filed: **Dec. 19, 2006**

DESCRIPTION

(51) **LOC (8) Cl.** **03-01**

(52) **U.S. Cl.** **D3/294**

(58) **Field of Classification Search** D3/201,
D3/202, 254, 269, 272, 273, 294; 206/216,
206/579, 278, 315.1, 315.11

See application file for complete search history.

FIG. 1 is a front elevation view of a dock locker illustrating my new design;

FIG. 2 is a top plan view thereof;

FIG. 3 is a bottom plan view thereof;

FIG. 4 is a left side elevation view thereof;

FIG. 5 is a right side elevation view thereof;

FIG. 6 is a rear elevation view thereof; and,

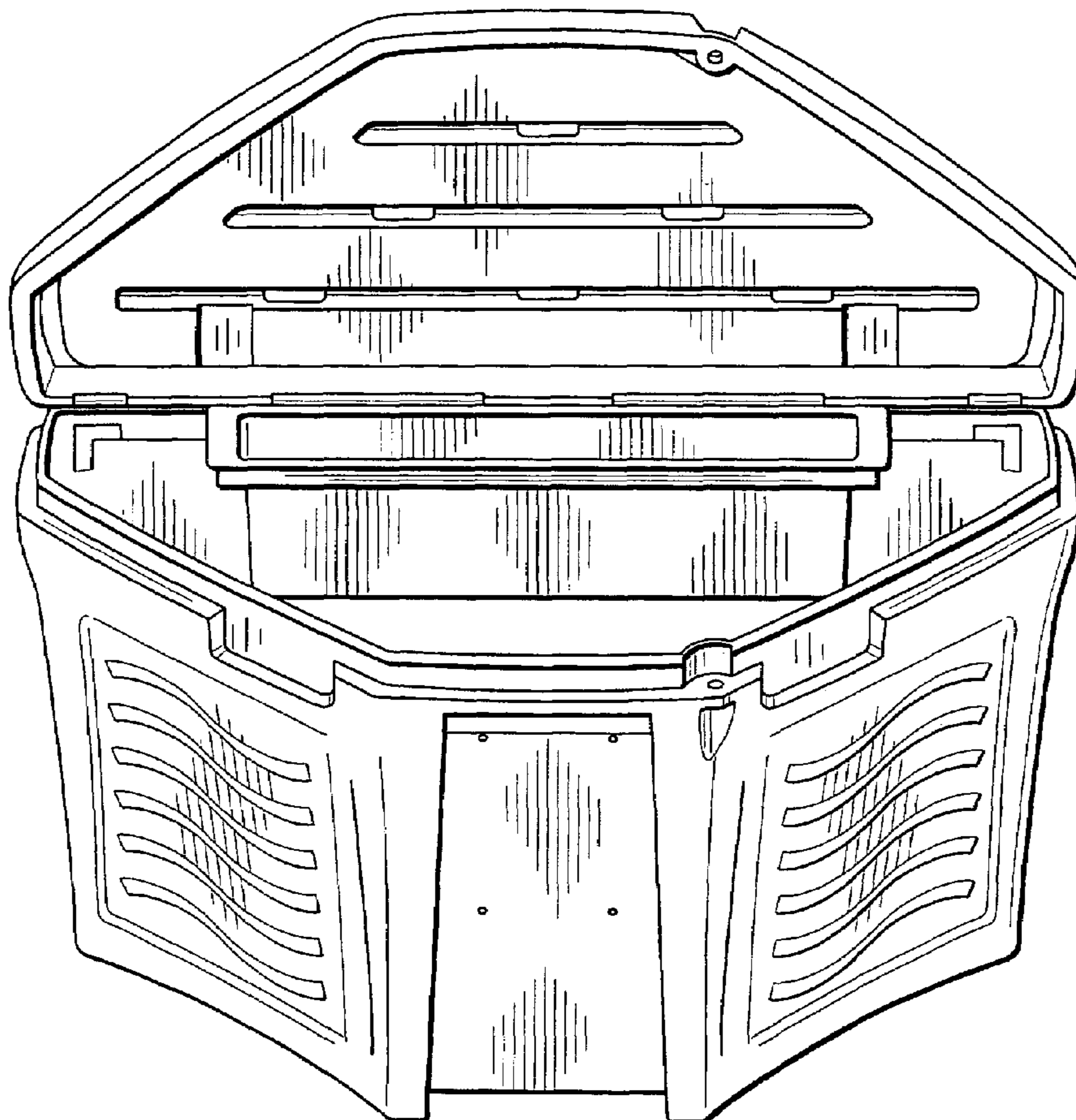
FIG. 7 is a perspective view thereof, showing the front and top, with the hinged lid open to reveal the internal tray.

(56) **References Cited**

U.S. PATENT DOCUMENTS

D510,802 S * 10/2005 Sagol D3/294
D519,734 S * 5/2006 Richardson et al. D3/294
D527,523 S * 9/2006 Cornwell et al. D3/294
D529,287 S * 10/2006 Perella et al. D3/294

1 Claim, 3 Drawing Sheets



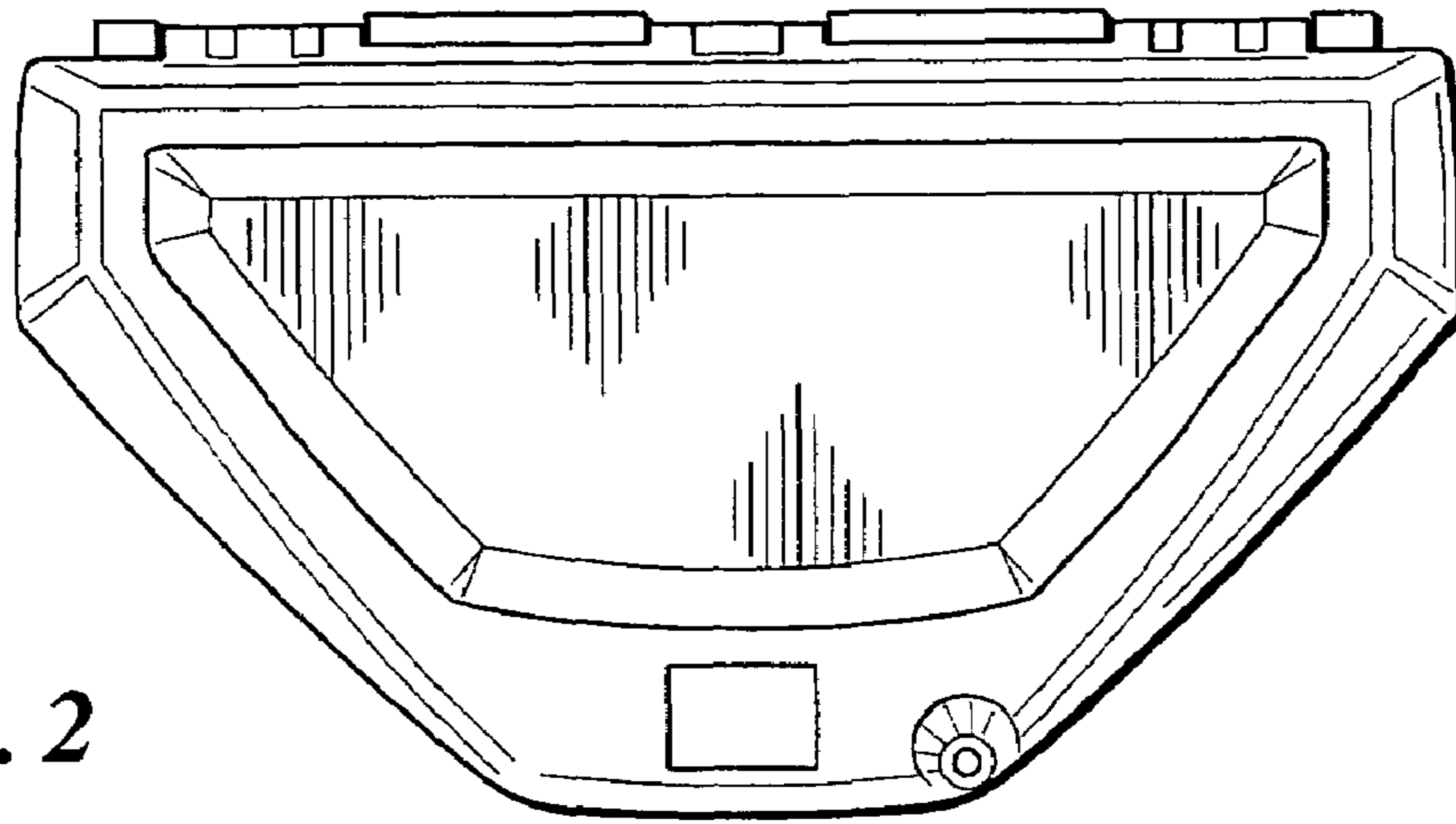


Fig. 2

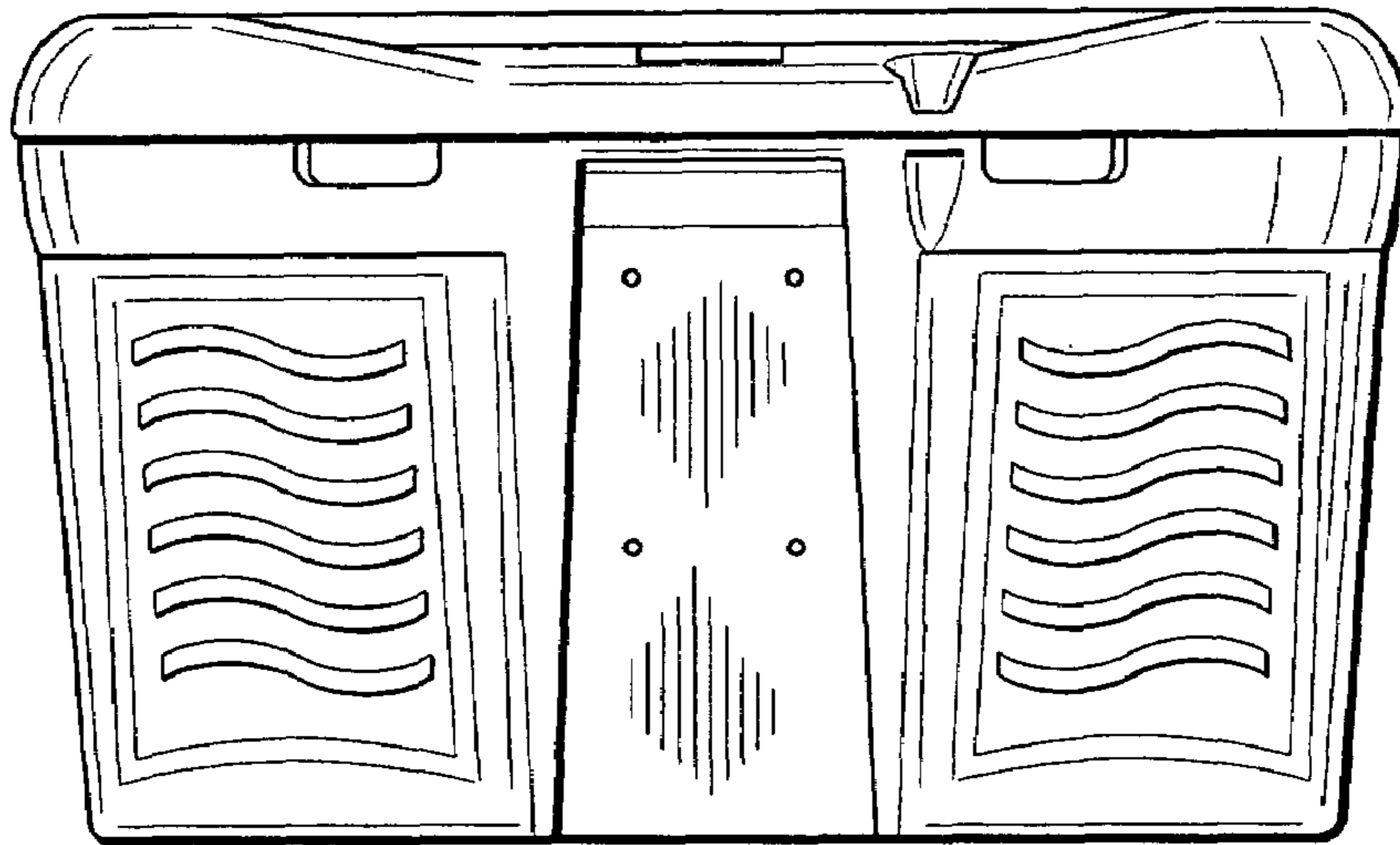


Fig. 1

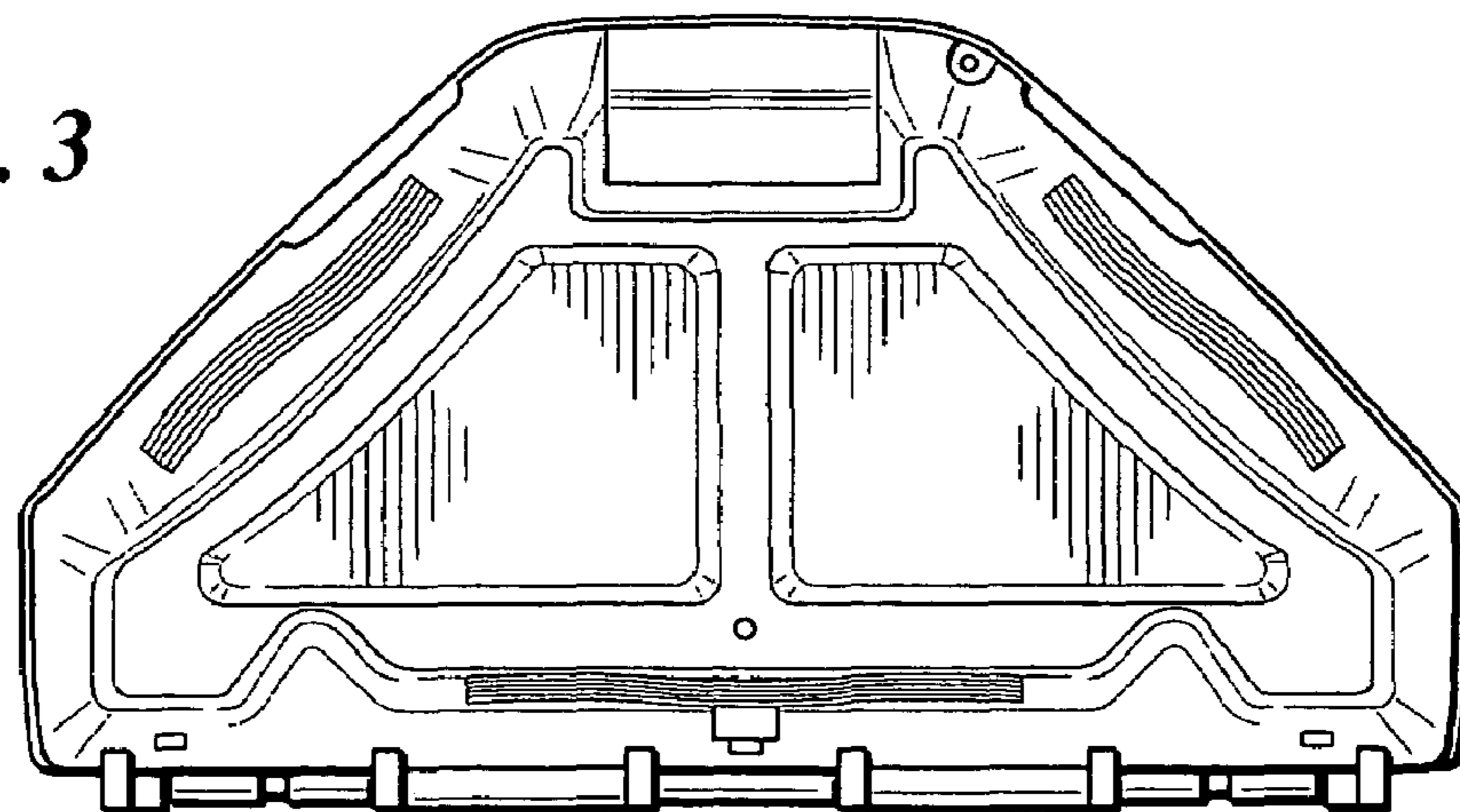


Fig. 3

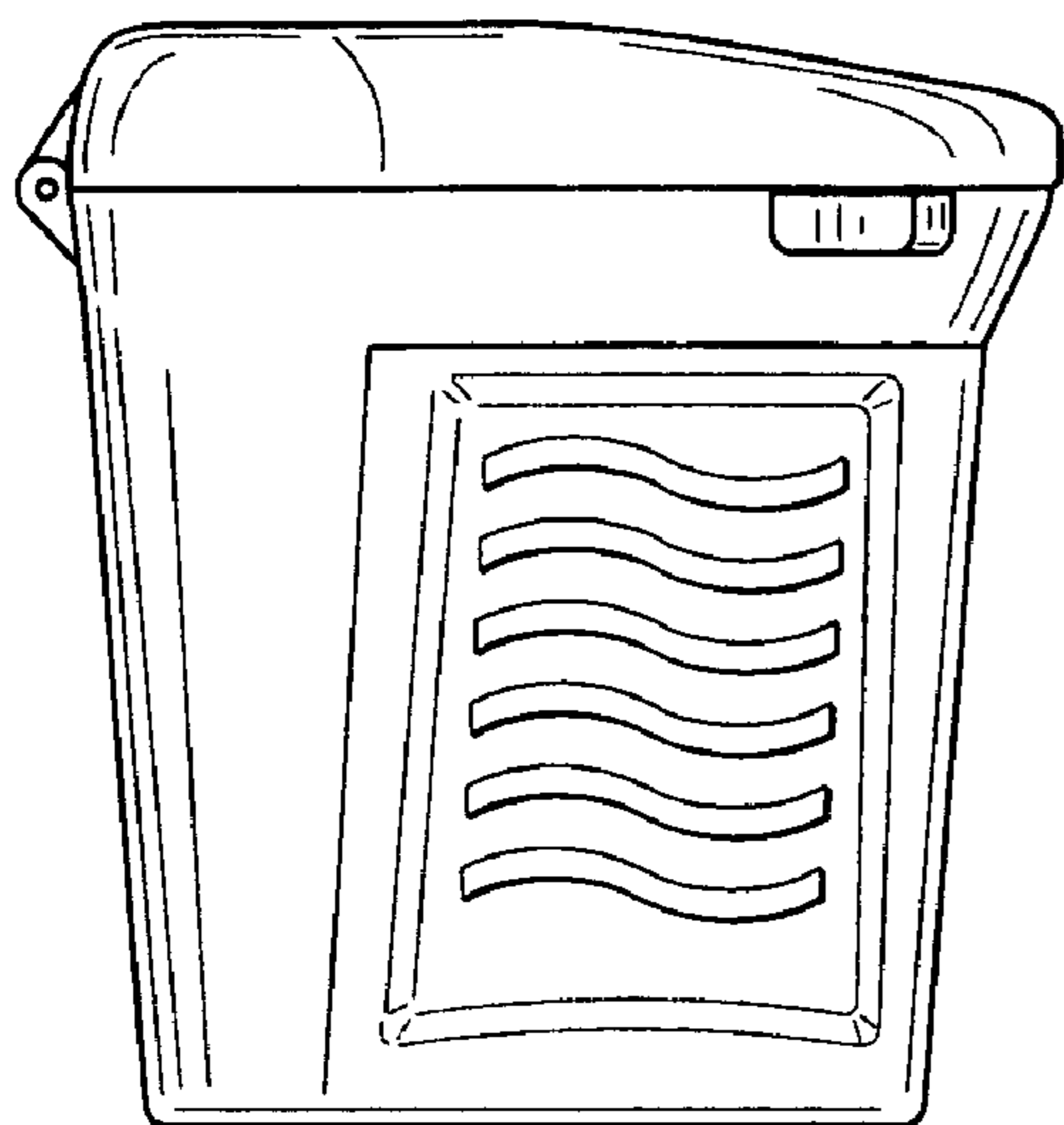


Fig. 4

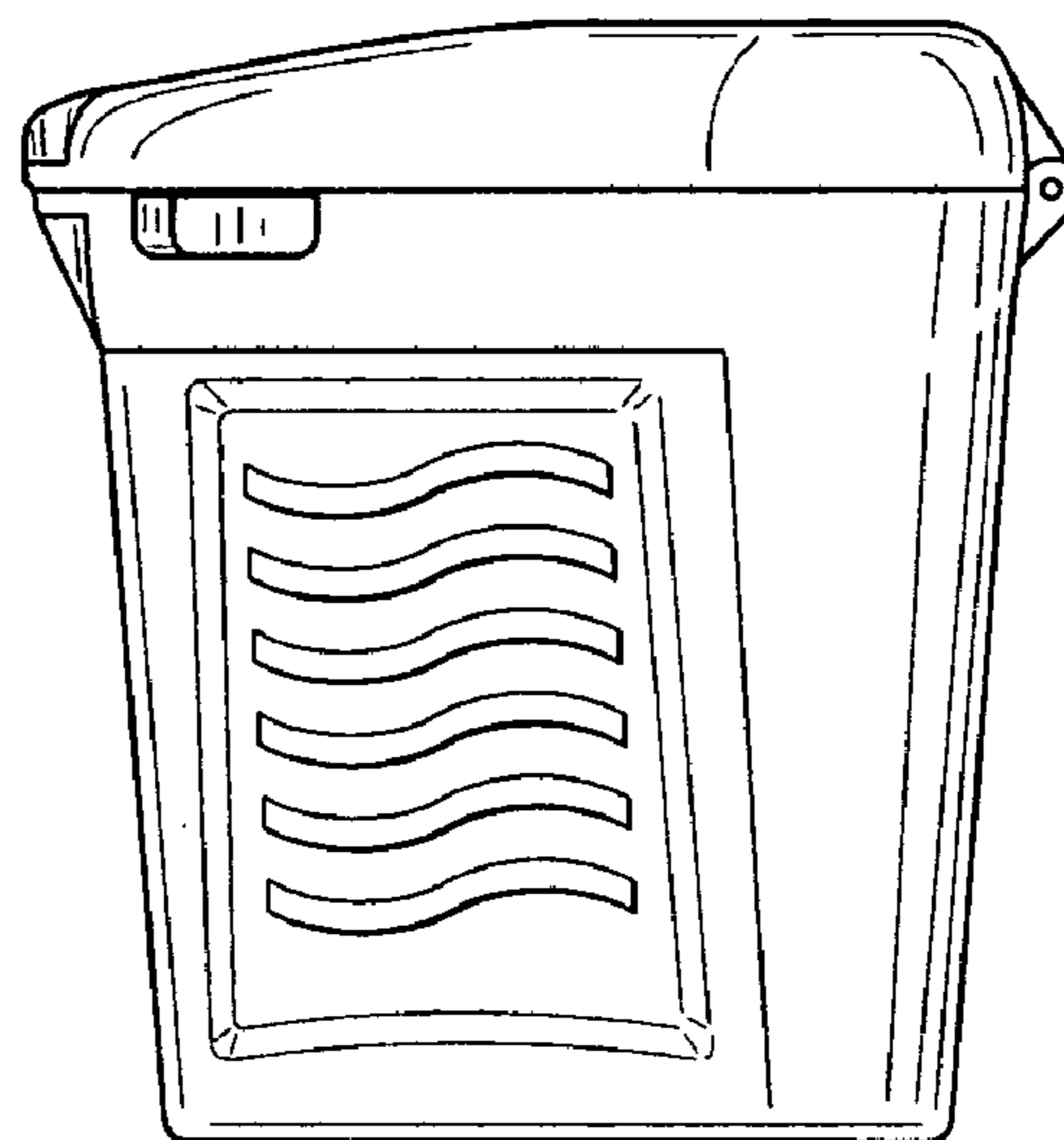


Fig. 5

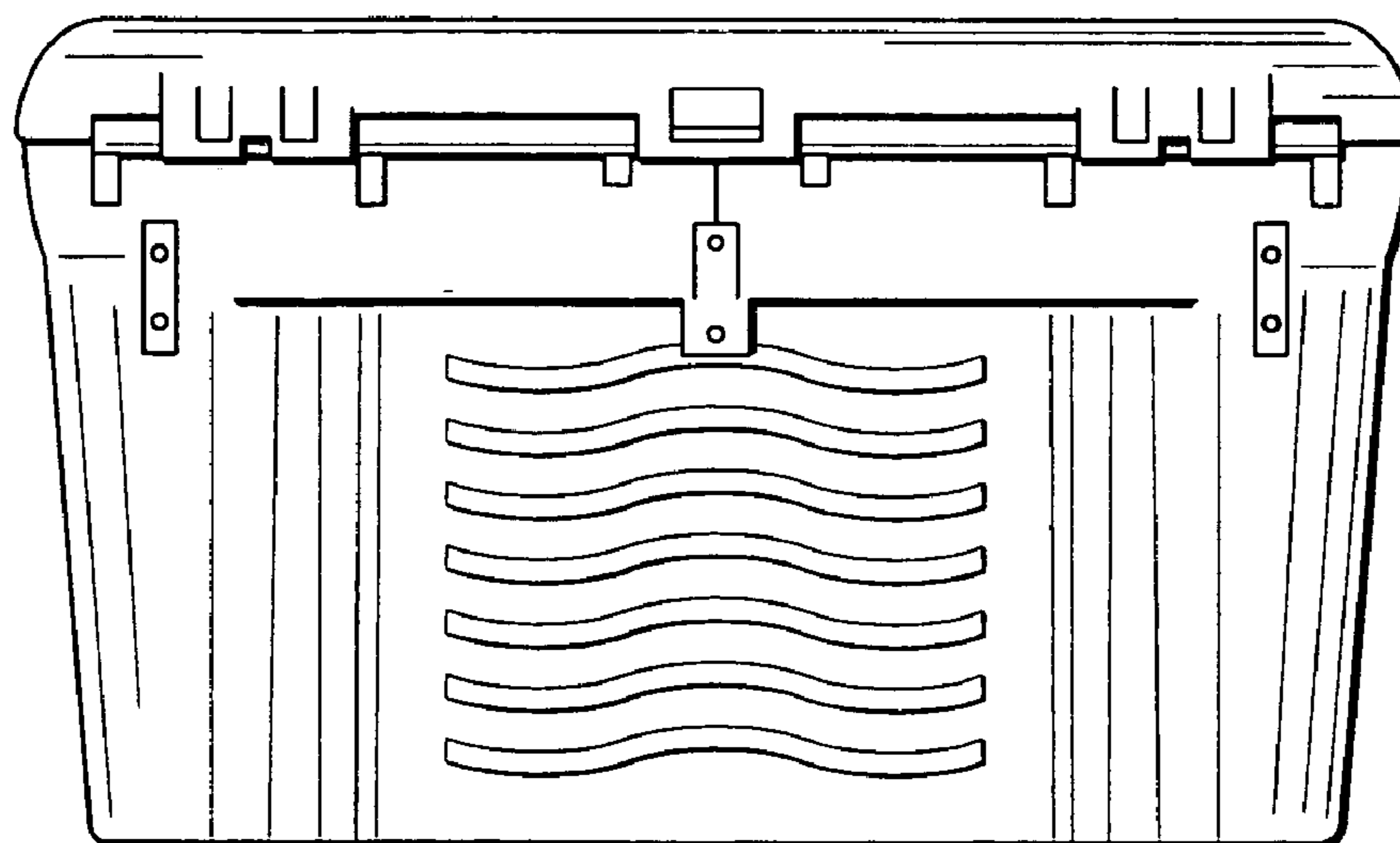


Fig. 6

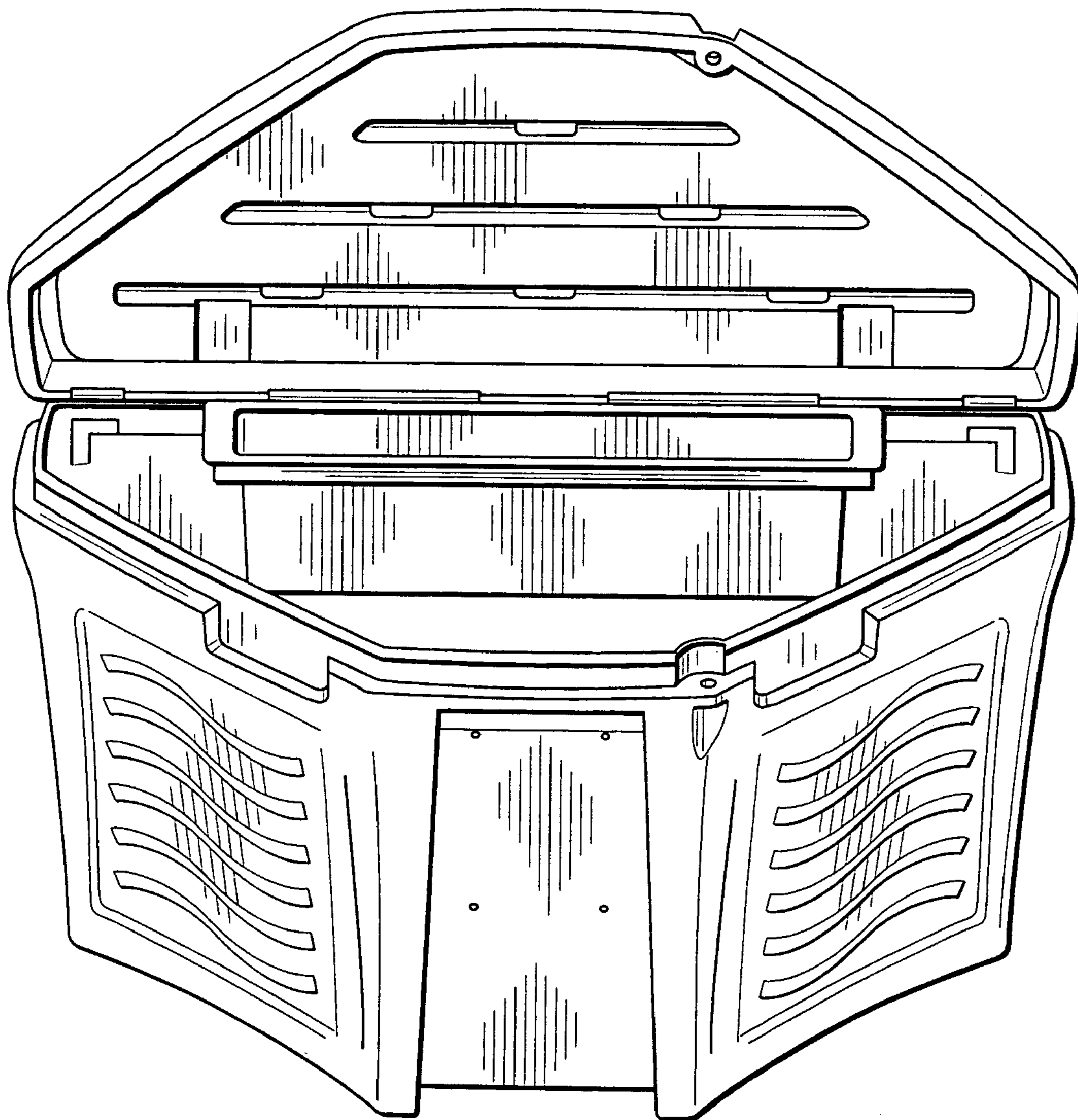


Fig. 7