



US00D556448S

(12) **United States Design Patent** (10) **Patent No.:** **US D556,448 S**  
**Brandenburg** (45) **Date of Patent:** **\*\* Dec. 4, 2007**

(54) **PORTABLE DIGITAL MEDIA PLAYER CASE**

(57) **CLAIM**

(75) Inventor: **Kyle Brandenburg**, Plantation, FL (US)

The ornamental design for a portable digital media player case, as shown and described.

(73) Assignee: **Marware, Inc.**, Hollywood, FL (US)

**DESCRIPTION**

(\*\*) Term: **14 Years**

FIG. 1 is a front-elevational view of a portable digital media player case according to the invention;

(21) Appl. No.: **29/251,840**

FIG. 2 is a top-plan view of the case of the invention;

(22) Filed: **Jan. 13, 2006**

FIG. 3 is a bottom-plan view of the case of the invention;

(51) **LOC (8) Cl.** ..... **03-01**

FIG. 4 is a left side-elevational view of the case of the invention;

(52) **U.S. Cl.** ..... **D3/218**

FIG. 5 is a right side-elevational view of the case of the invention, showing a winder in a closed storage position;

(58) **Field of Classification Search** ..... D3/218,  
D3/219, 215, 226, 228, 230, 272-273, 294,  
D3/269; 206/320, 307, 307.1, 305, 308.1;  
224/682-683, 666, 600, 268-271; 379/455;  
455/90, 100

FIG. 6 is a rear-elevational view of the case of the invention, in which the winder is shown in the closed storage position;

See application file for complete search history.

FIG. 7 is a top plan view of the case with the winder shown in an open position;

FIG. 8 is a front elevational view of the case with the winder shown in an open position;

(56) **References Cited**

**U.S. PATENT DOCUMENTS**

D518,290 S *	4/2006	Andre et al. ....	D3/218
D519,275 S *	4/2006	Shertzer .....	D3/218
D526,780 S *	8/2006	Richardson et al. ....	D3/273
D530,079 S *	10/2006	Thomas et al. ....	D3/218
D539,530 S *	4/2007	Sanderson et al. ....	D3/218
D542,028 S *	5/2007	Yang et al. ....	D3/218

FIG. 9 is a rear elevational view of the case with the winder shown in an open position;

FIG. 10 is a front and right side perspective view of the case of the invention with the winder in the open position and an earbud cord wrapped around the winder;

FIG. 11 is a rear and right side perspective view of the case of the invention with the winder in the open position and a belt clip attached; and

FIG. 12 is an exploded view of the case of the invention; and,

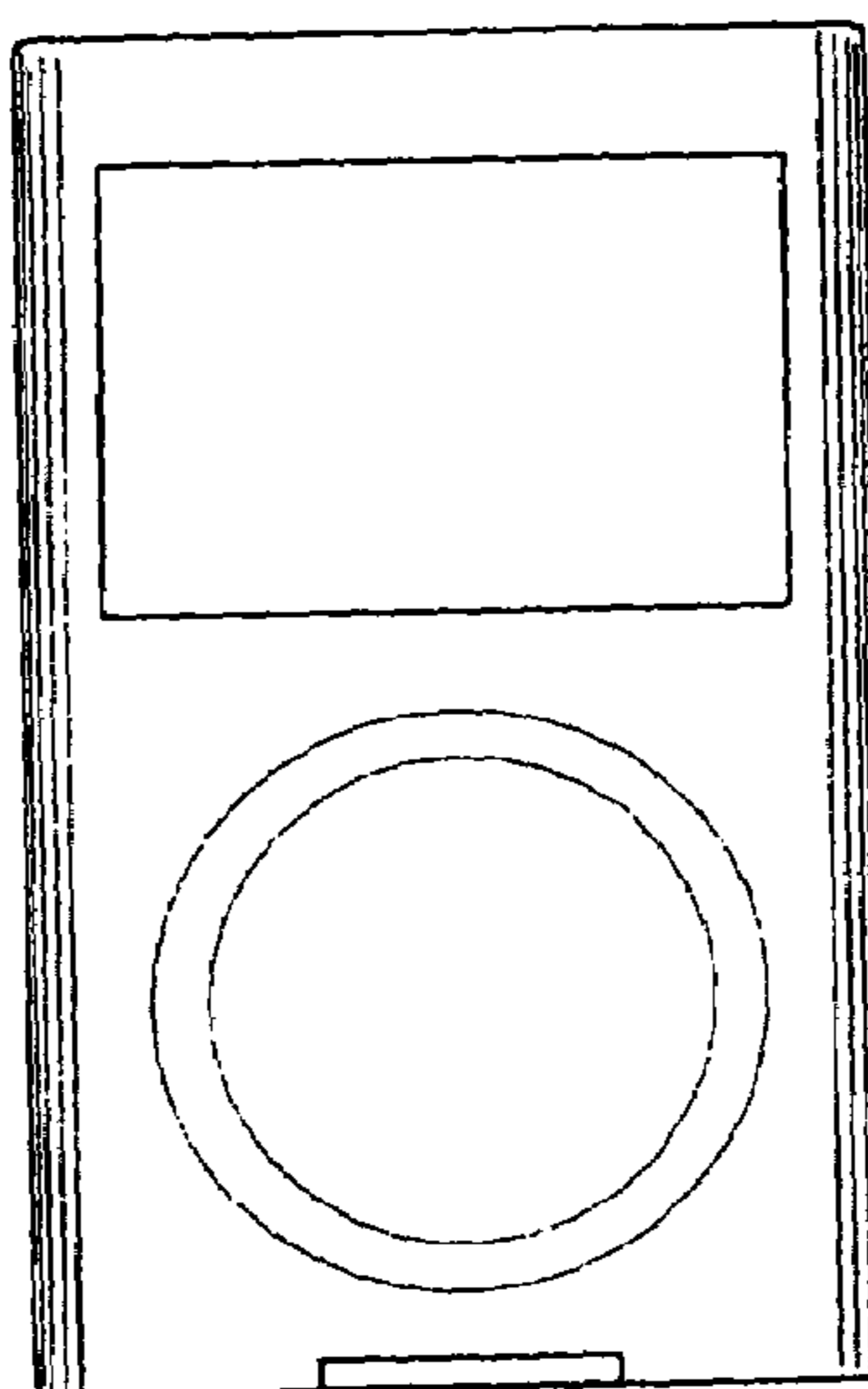
FIG. 13 is a rear, top and left-side perspective view of the case of the invention showing a stand at the rear.

\* cited by examiner

The broken line showing of environment in the drawings is included for the purpose of illustrating only and forms no part of the claimed design.

*Primary Examiner*—Catherine R. Oliver  
(74) *Attorney, Agent, or Firm*—Laurence A. Greenberg;  
Werner H. Stemer; Ralph E. Locher

**1 Claim, 4 Drawing Sheets**



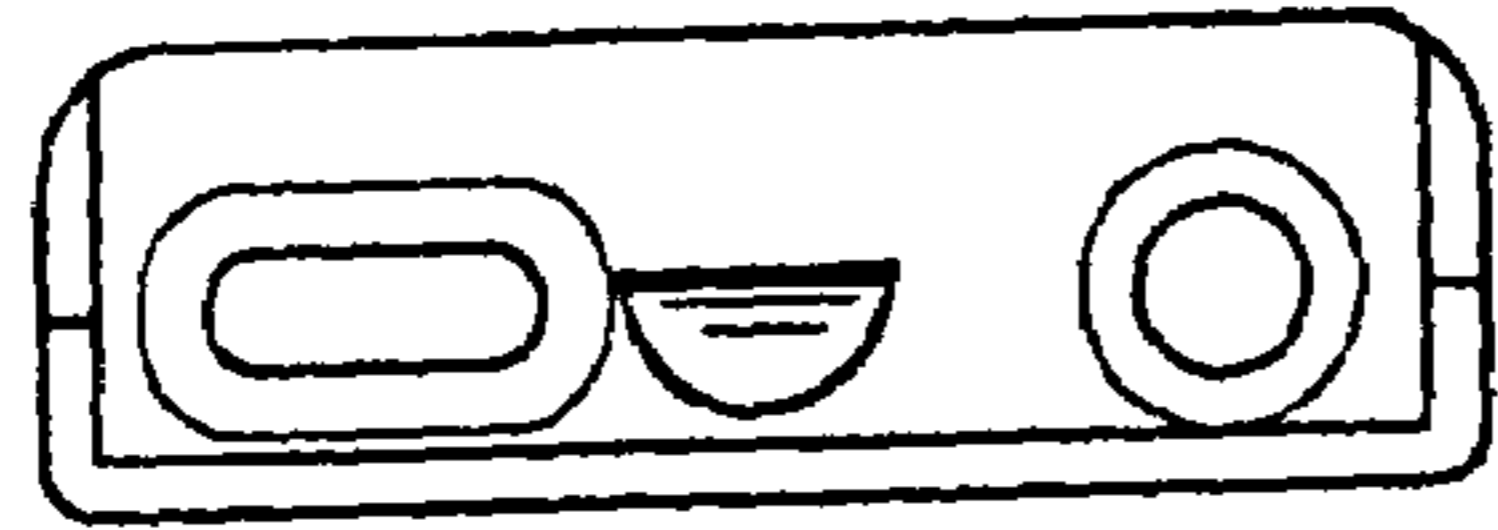


Fig 2

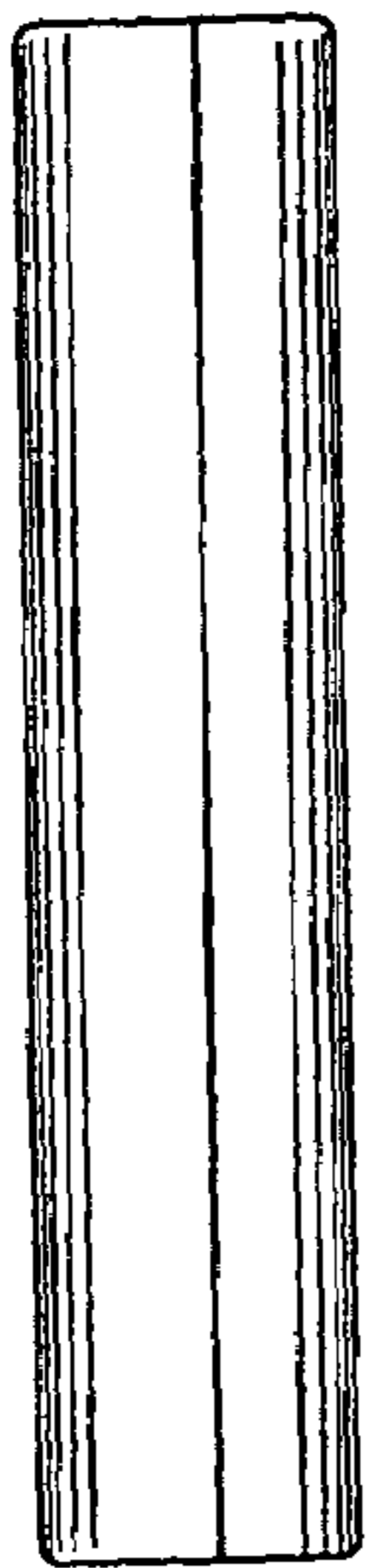


Fig 4

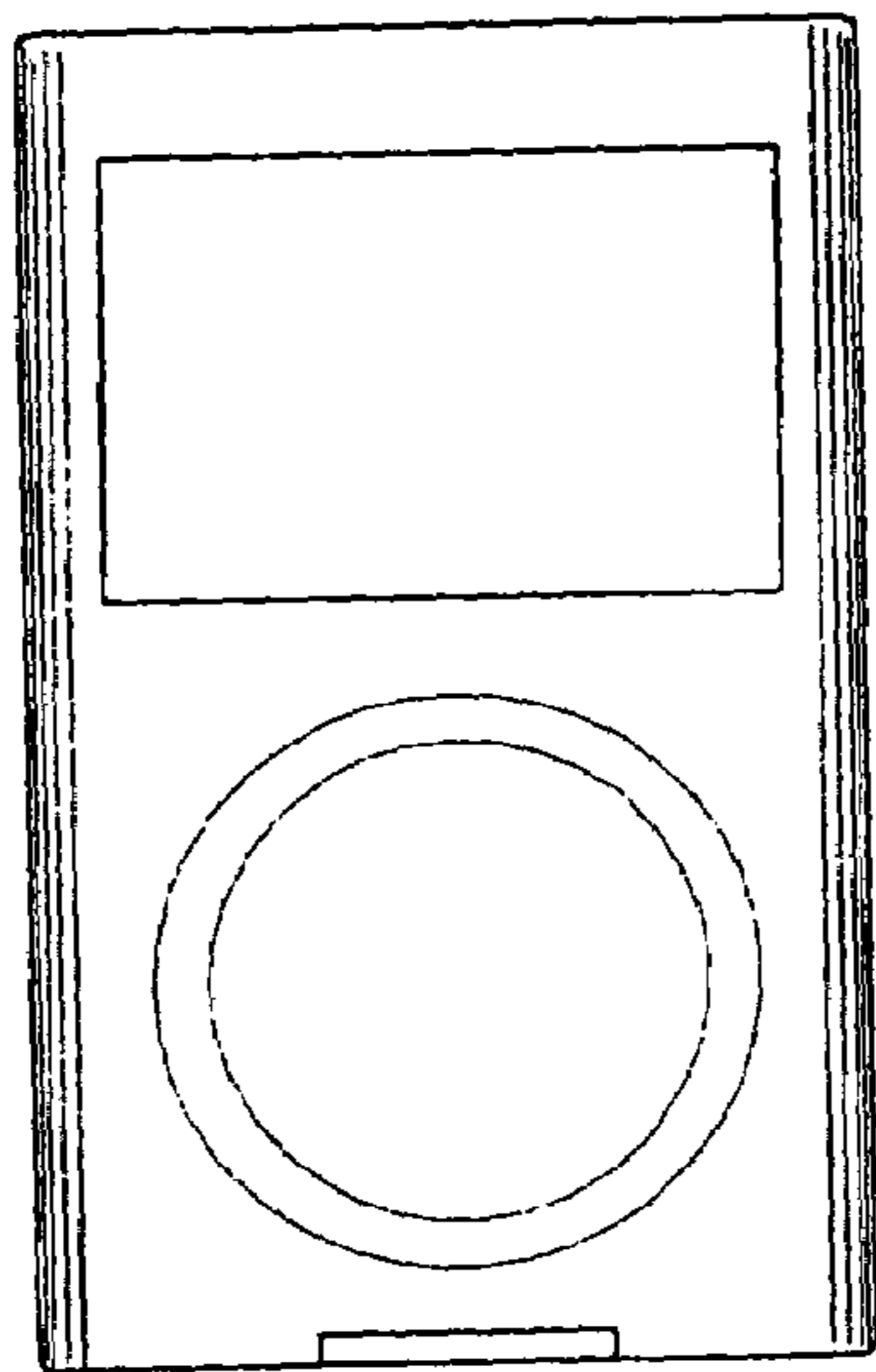


Fig 1



Fig 5

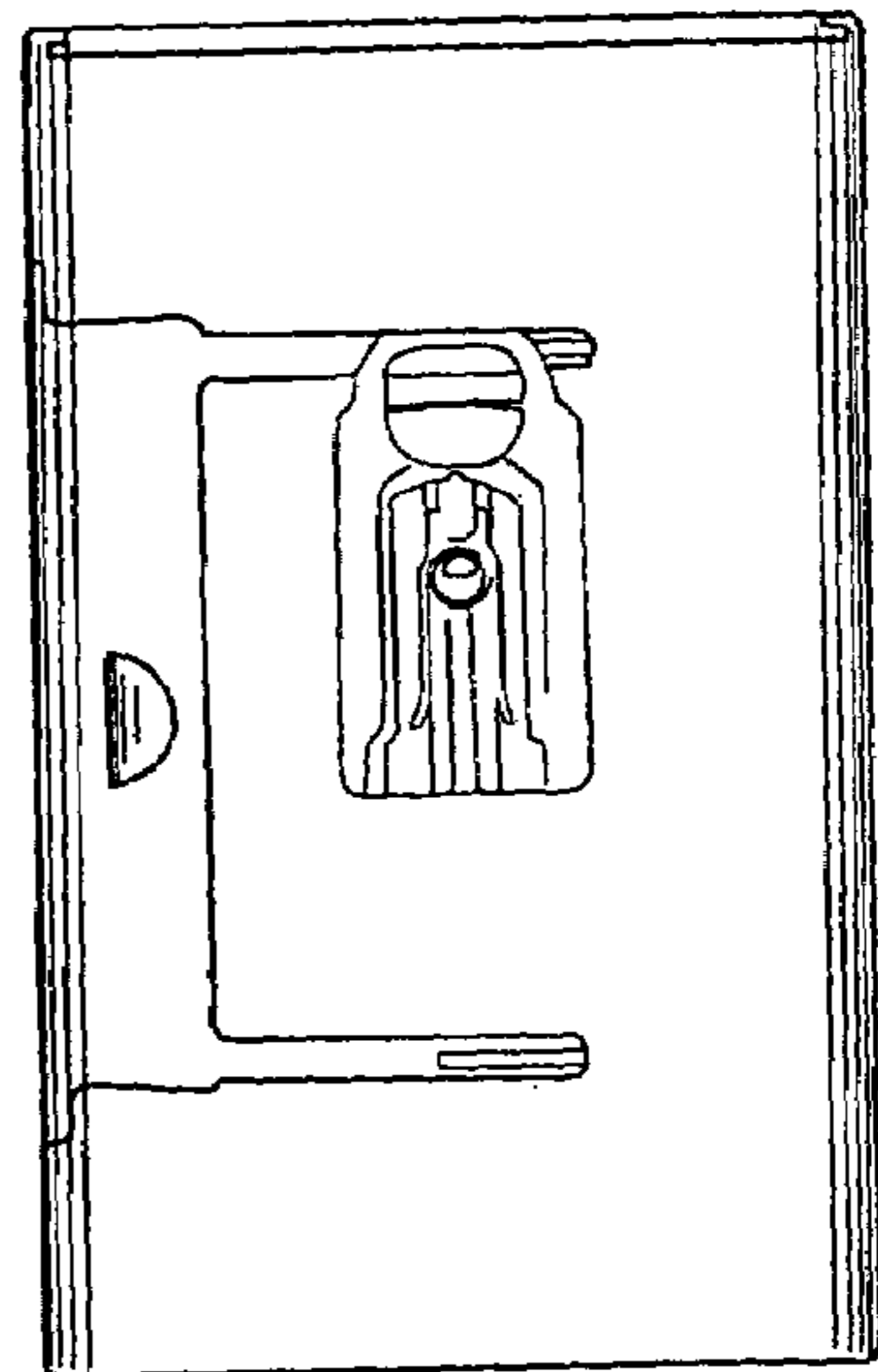


Fig 6

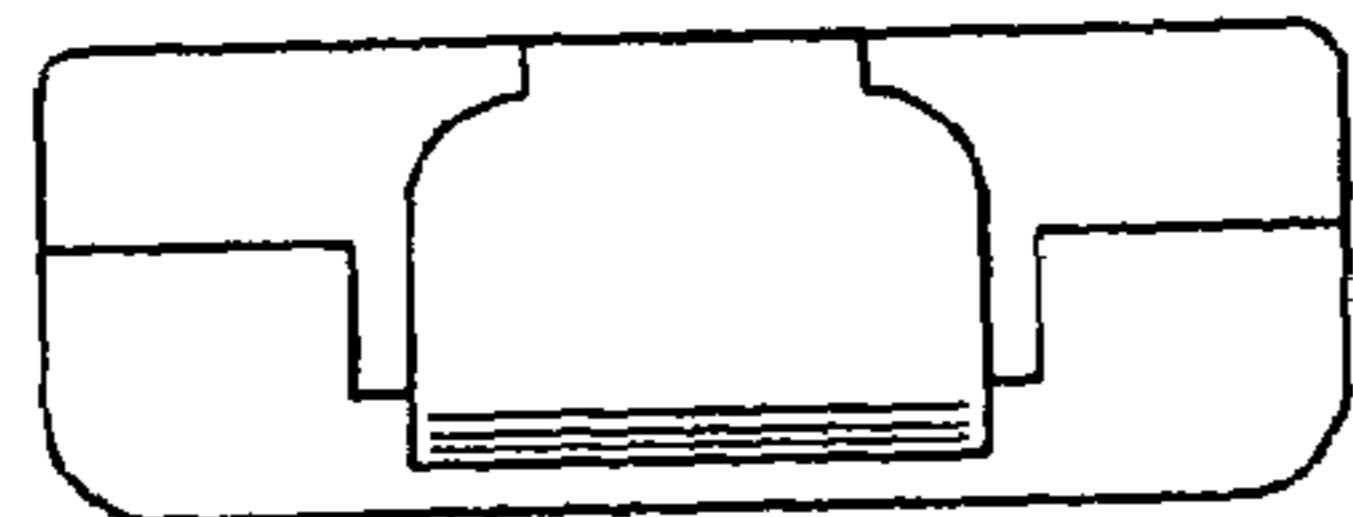


Fig 3

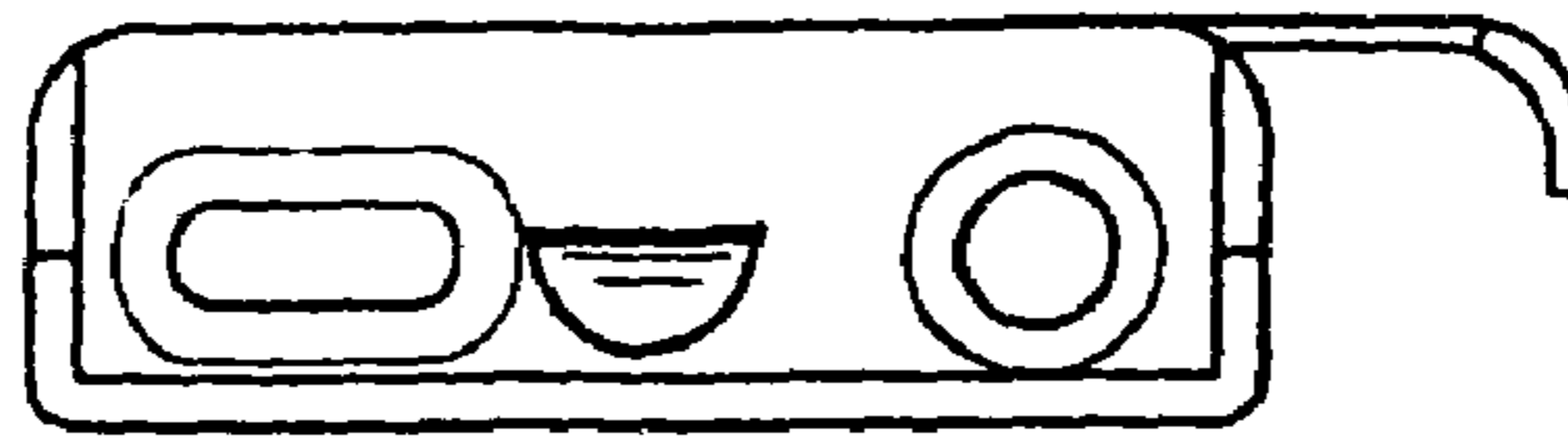


Fig 7

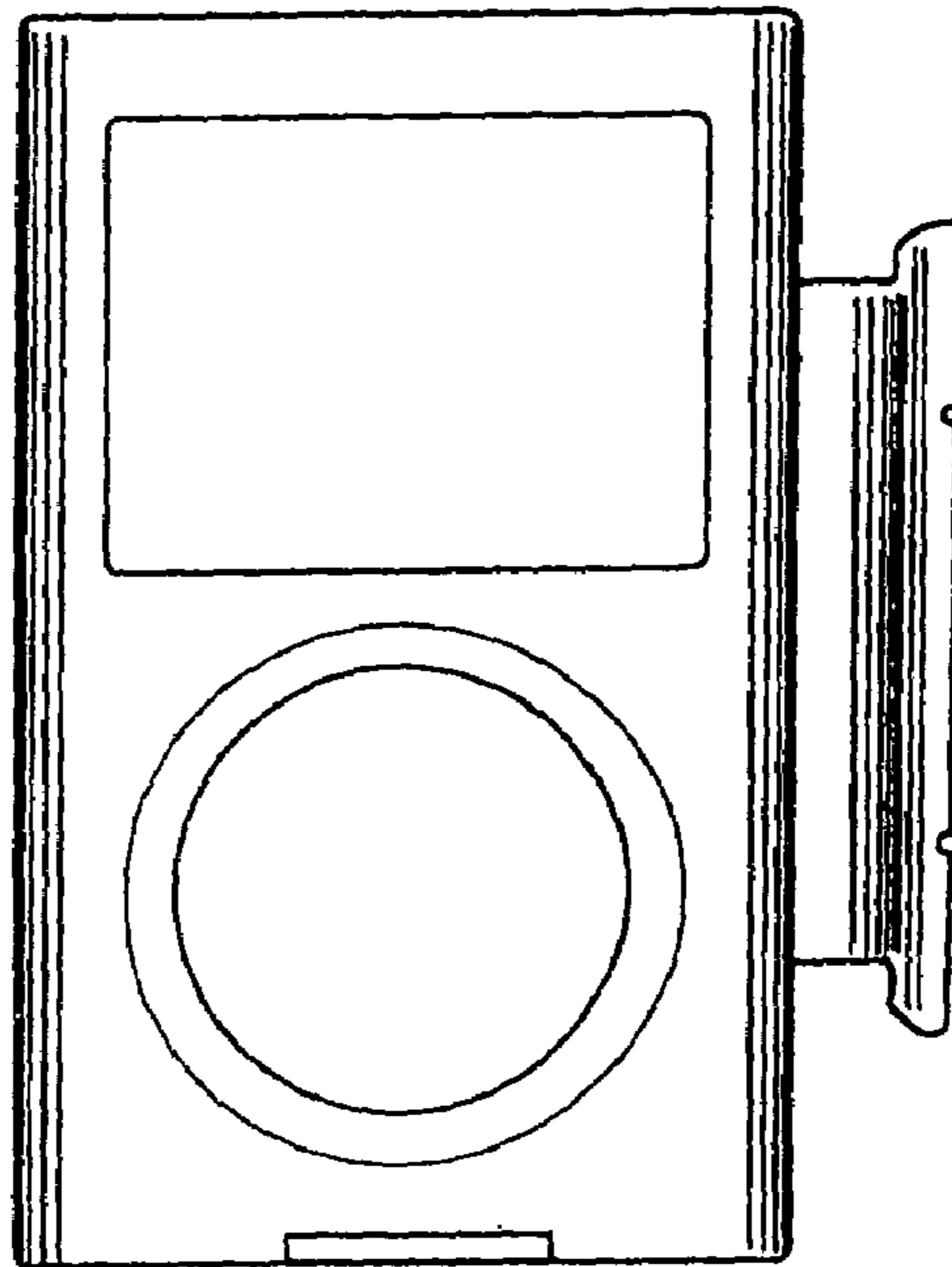


Fig 8

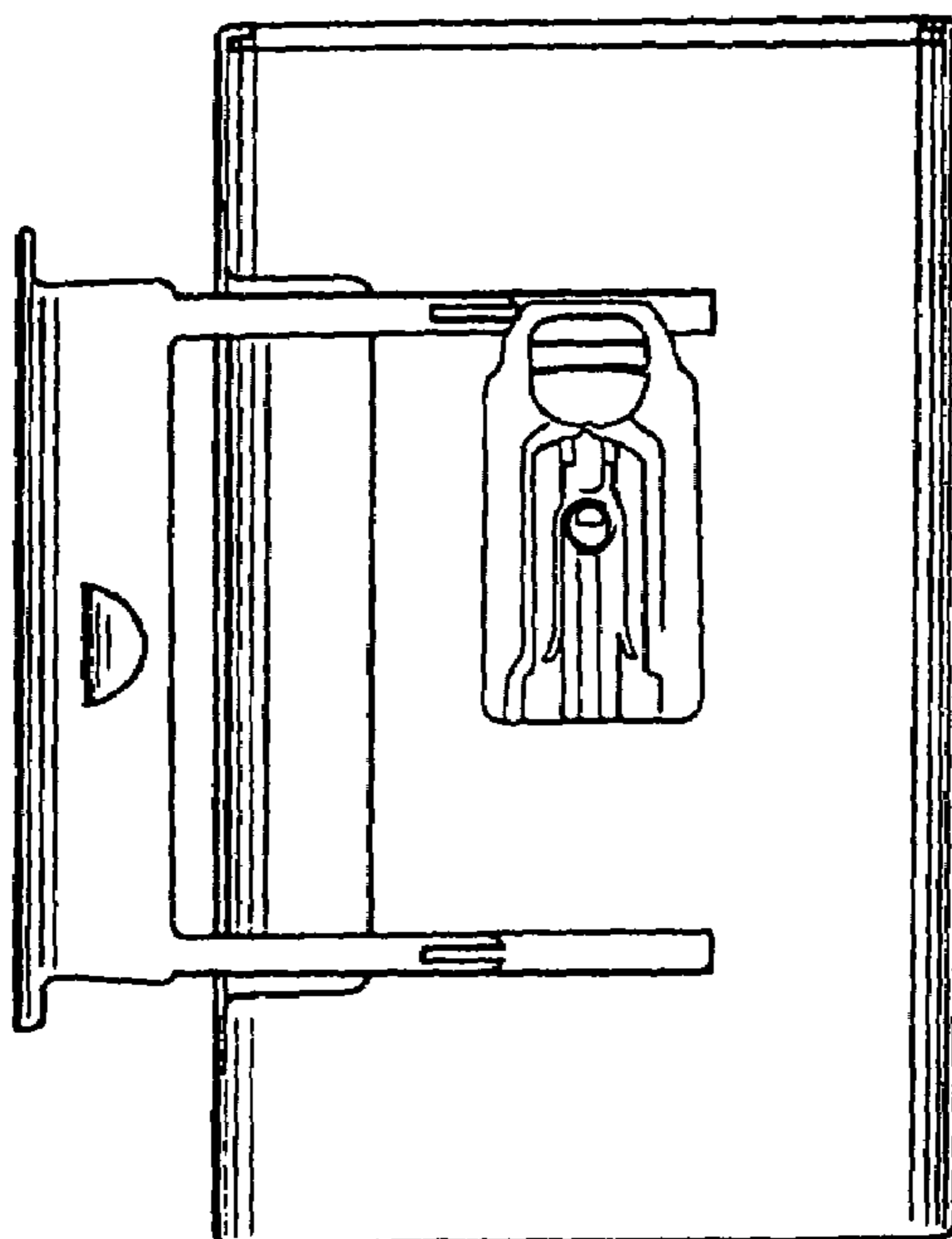


Fig 9

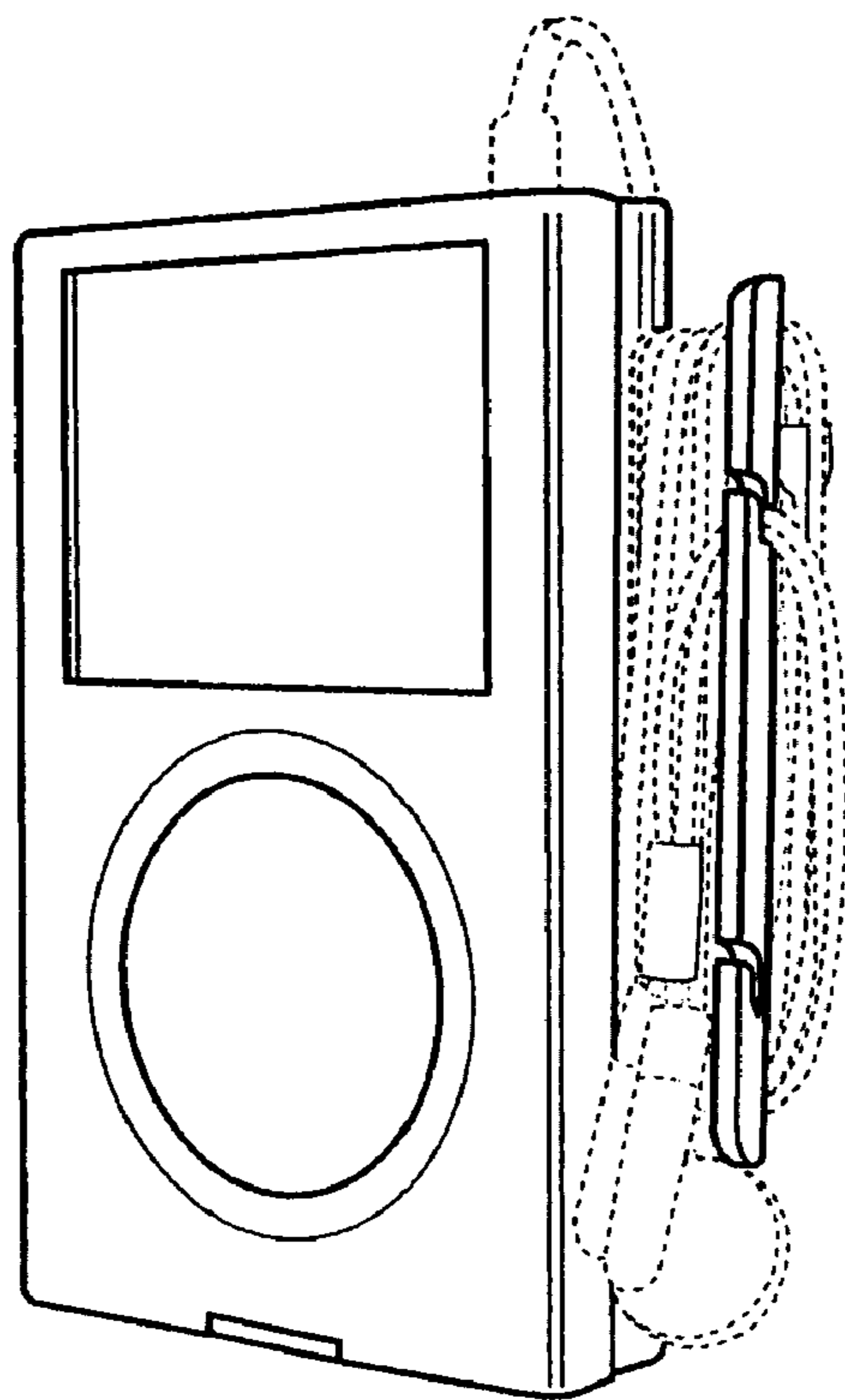


Fig 10

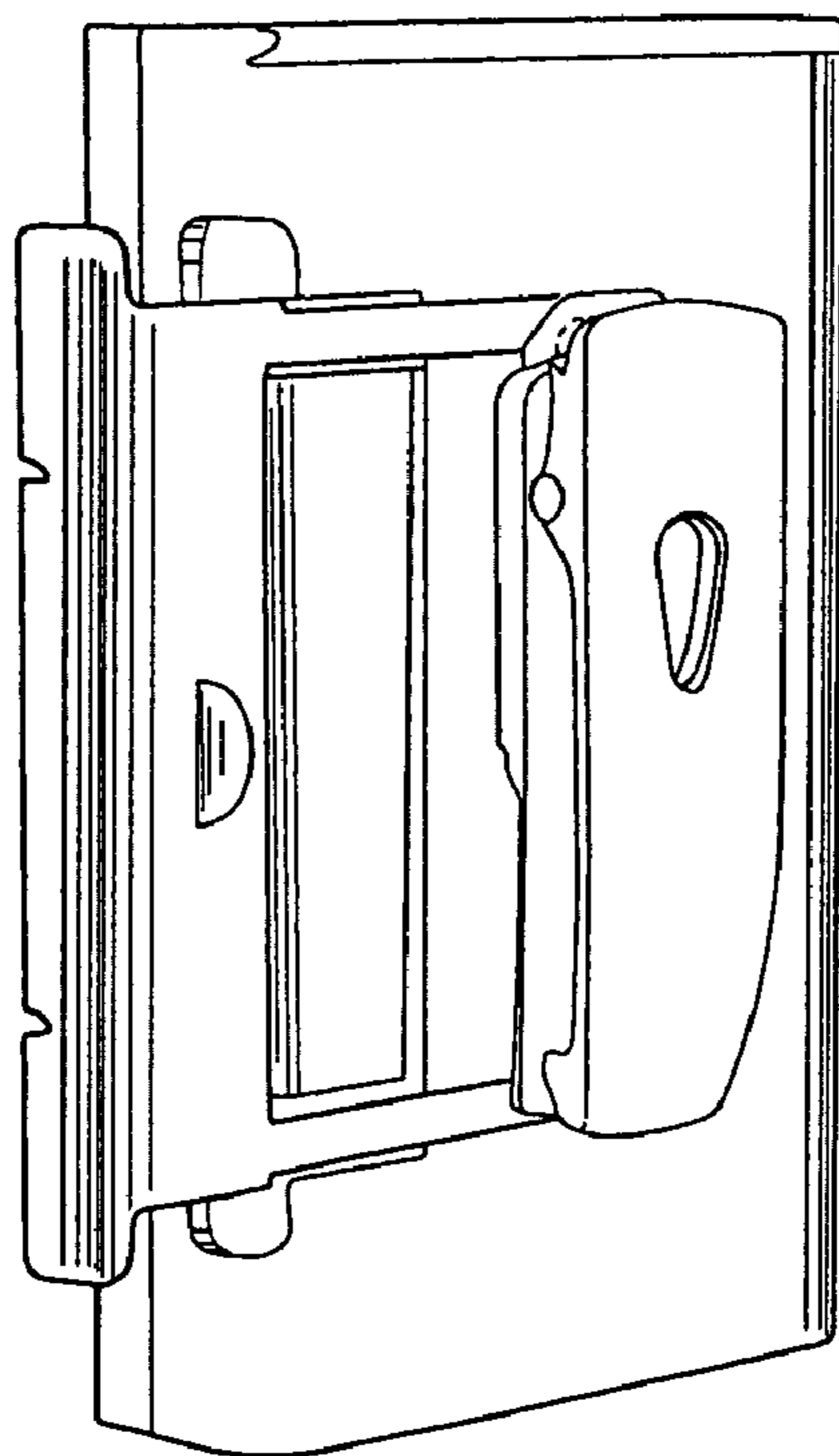


Fig 11

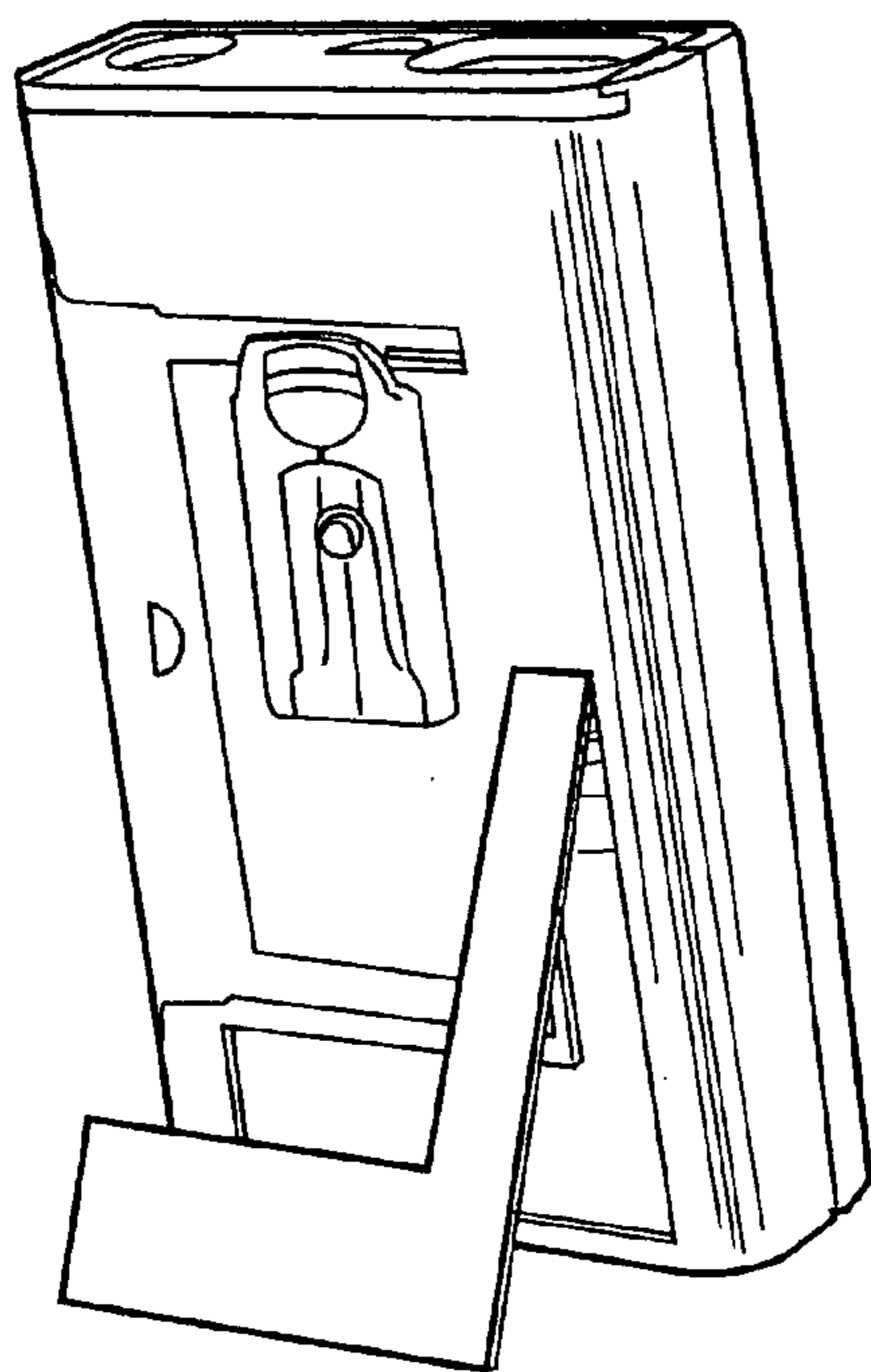
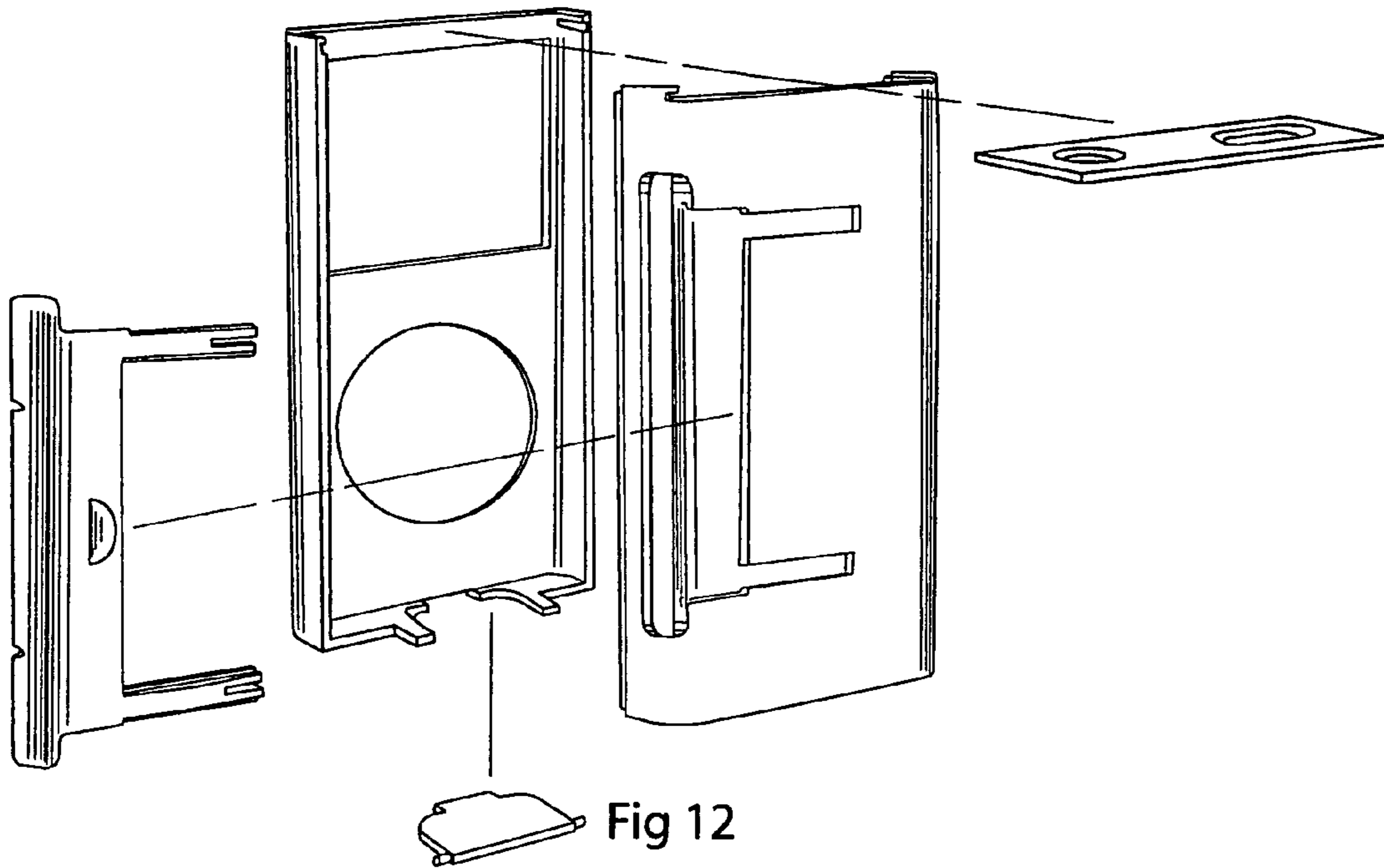


Fig 13