



US00D556445S

(12) **United States Design Patent**
Oas

(10) **Patent No.:** **US D556,445 S**

(45) **Date of Patent:** **** Dec. 4, 2007**

(54) **KEY RING**

(75) Inventor: **Daniel Oas**, Irwindale, CA (US)

(73) Assignee: **Calibre International, LLC**, Irwindale, CA (US)

(**) Term: **14 Years**

(21) Appl. No.: **29/245,256**

(22) Filed: **Dec. 20, 2005**

(51) **LOC (8) Cl.** **03-01**

(52) **U.S. Cl.** **D3/208**

(58) **Field of Classification Search** D3/207-212;
206/37.1, 38.1; 150/147; 70/456 R, 456 B,
70/458-459; 24/3 K, 3.6, 100; D11/44,
D11/48

See application file for complete search history.

(56) **References Cited**

U.S. PATENT DOCUMENTS

D365,044 S	*	12/1995	Anscher	D11/218
D479,151 S	*	9/2003	Hamilton	D11/216
D497,834 S	*	11/2004	Kawamura	D11/218
D508,661 S	*	8/2005	Kaneko et al.	D11/218

OTHER PUBLICATIONS

U.S. Appl. No. 29/229,919, Daniel Oas.

* cited by examiner

Primary Examiner—Ralf Seifert

(74) *Attorney, Agent, or Firm*—Thomas I. Rozsa

(57) **CLAIM**

The ornamental design for a key ring, as shown and described.

DESCRIPTION

FIG. 1 is a front side view of the present invention showing my new design;

FIG. 2 is a side view thereof;

FIG. 3 is a top view thereof;

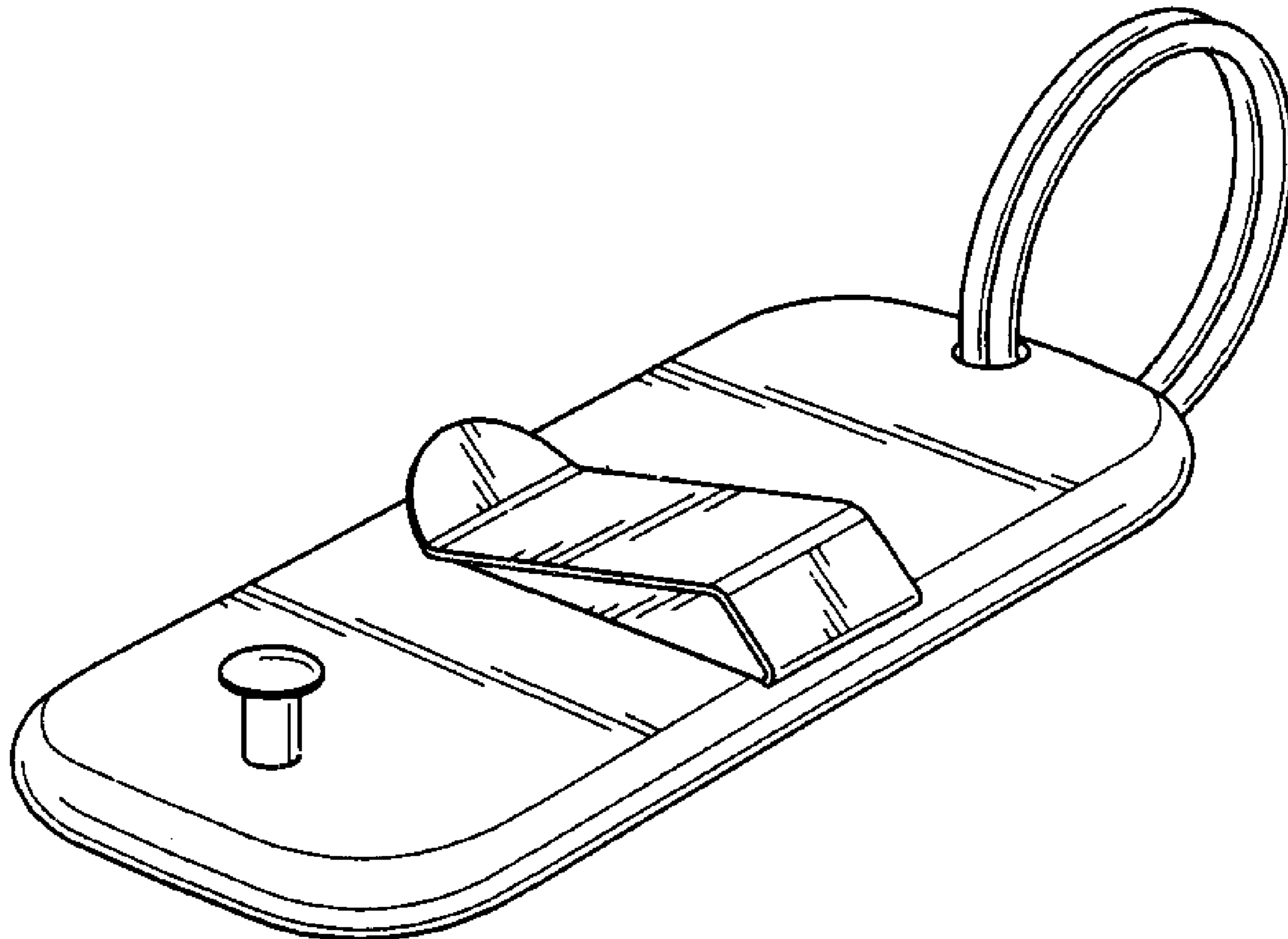
FIG. 4 is a side view thereof;

FIG. 5 is a front view thereof;

FIG. 6 is a back view thereof; and,

FIG. 7 is a bottom view thereof.

1 Claim, 2 Drawing Sheets



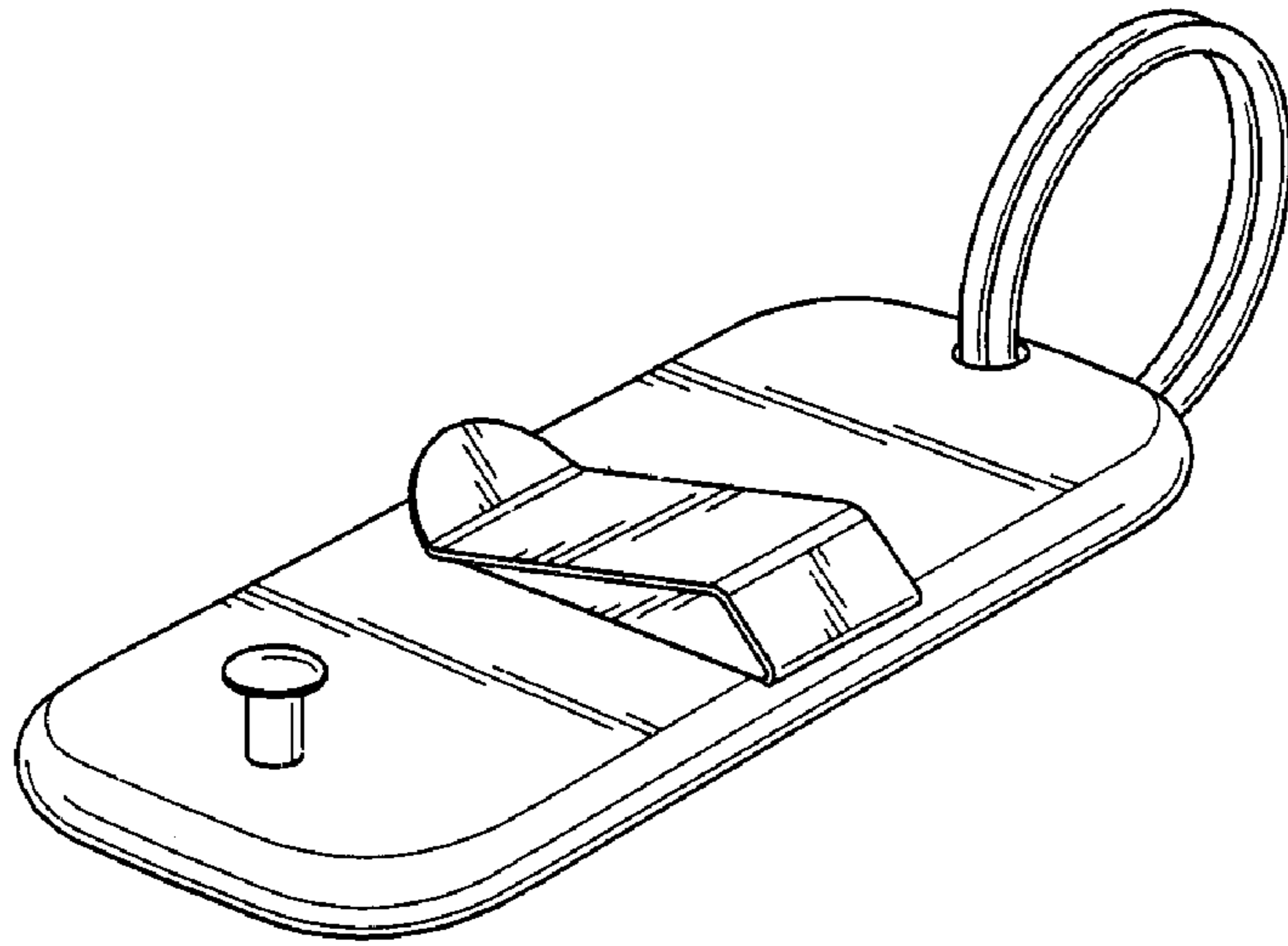


FIG. 1

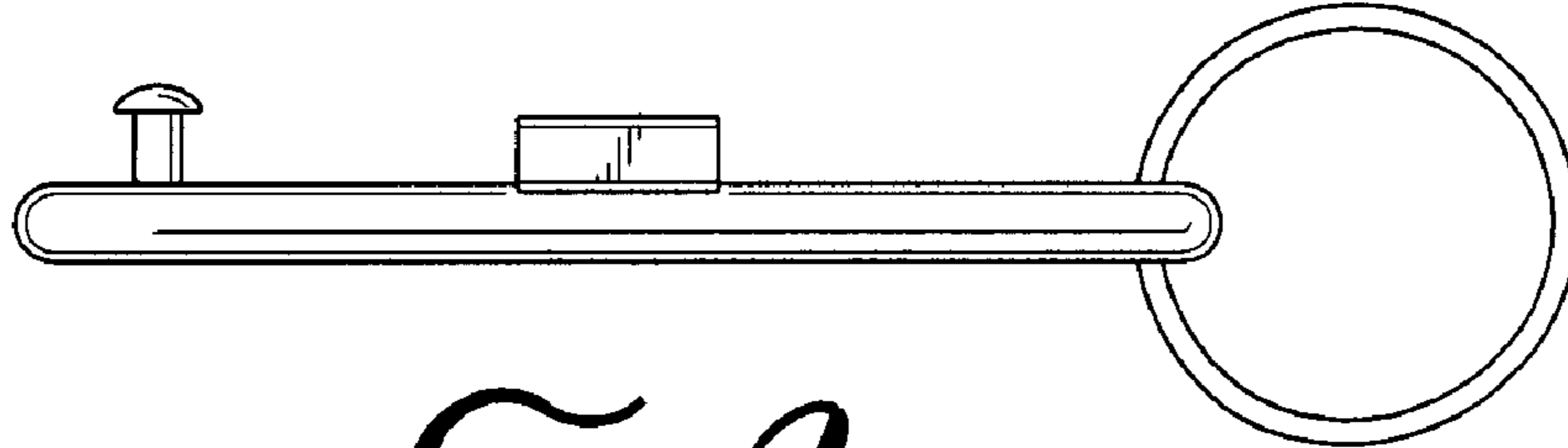


FIG. 2

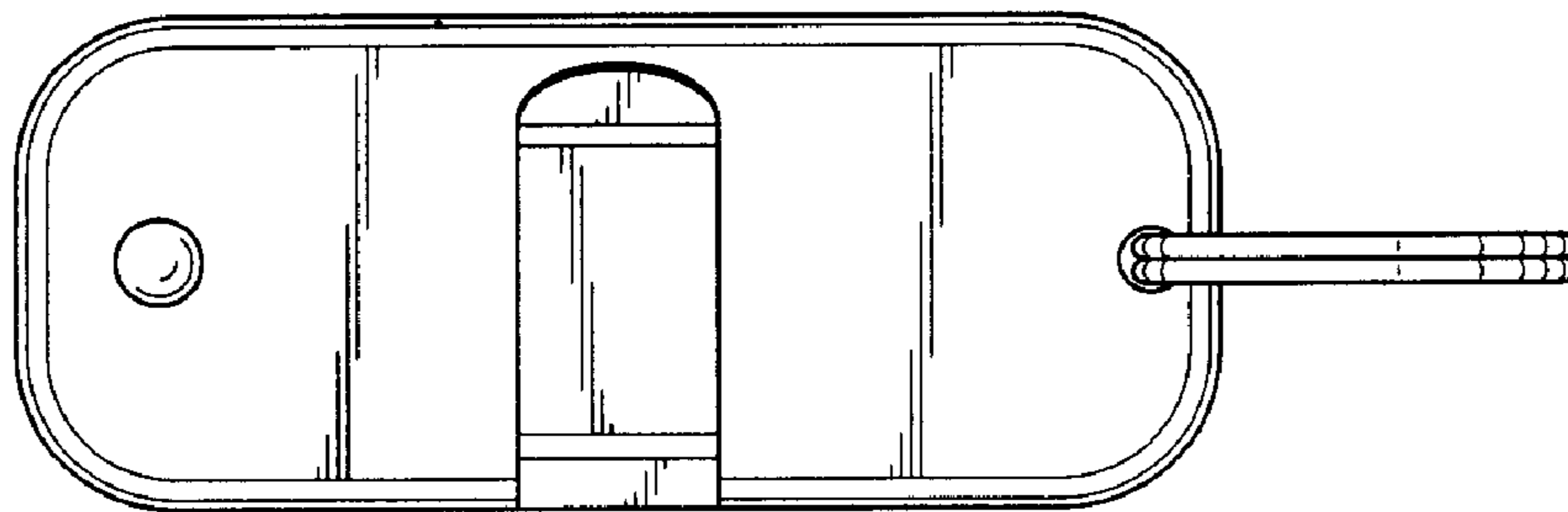


FIG. 3

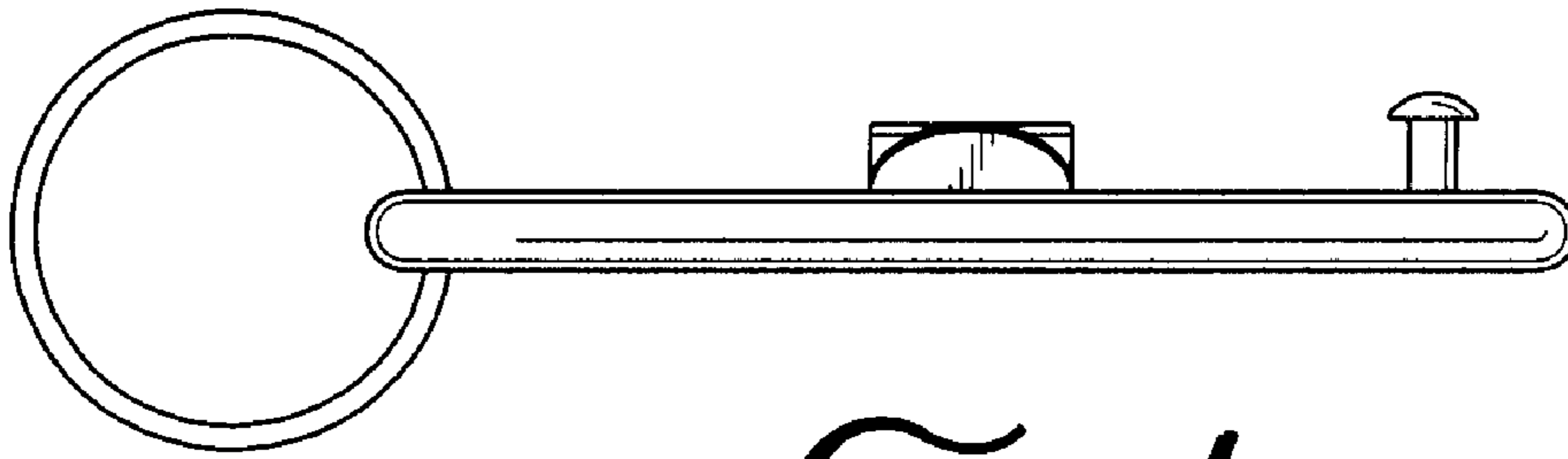


FIG. 4

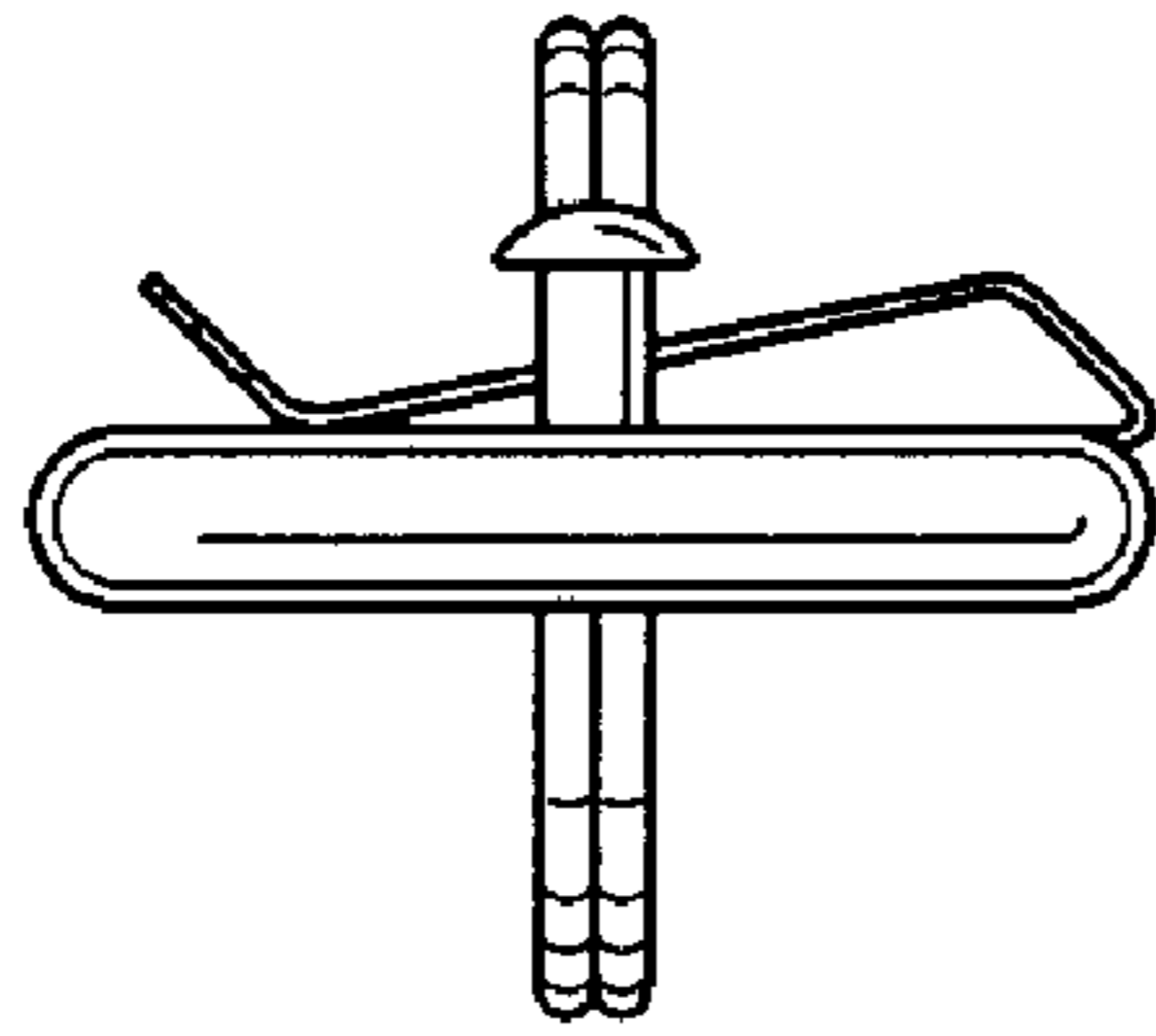


FIG. 5

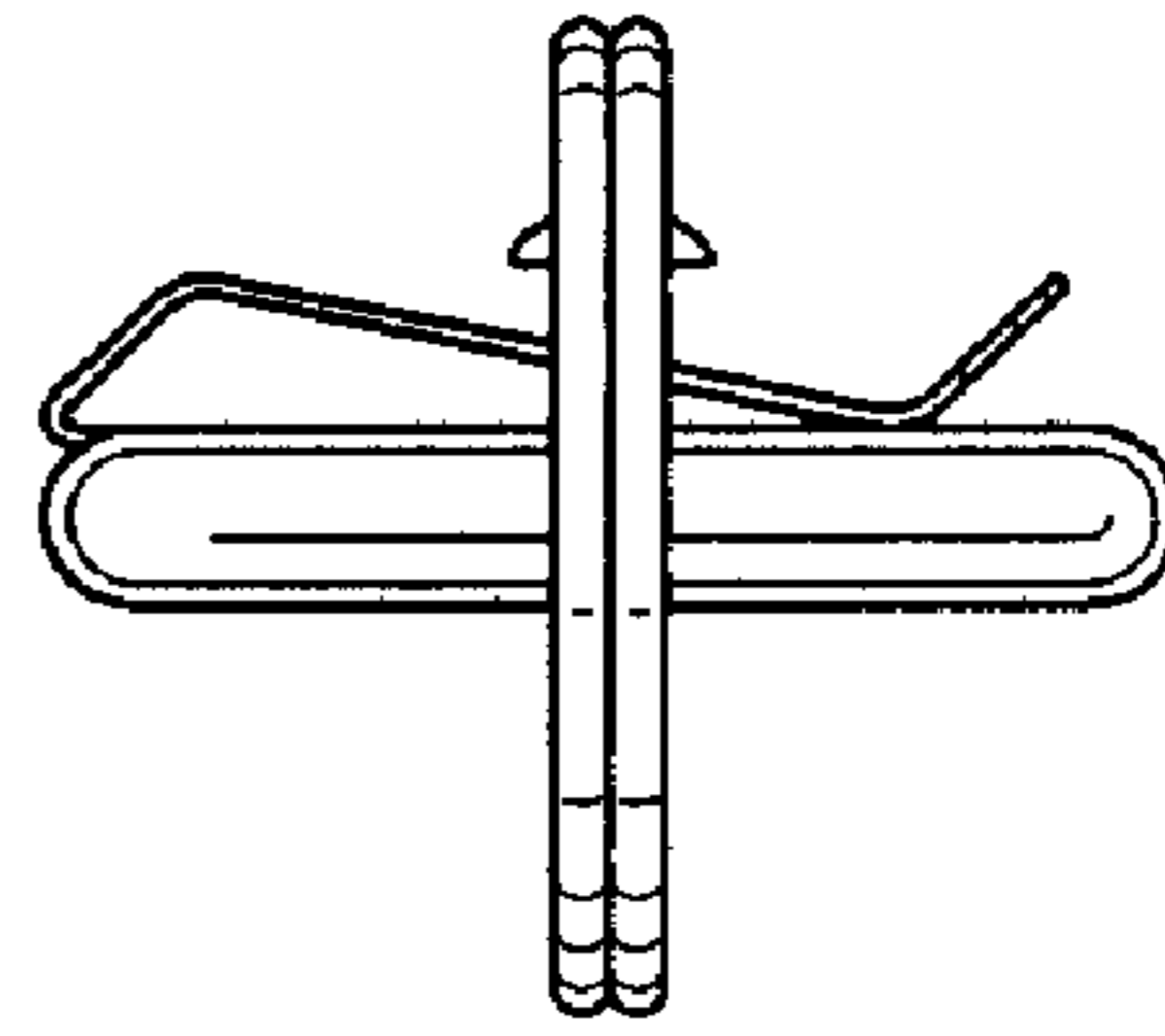


FIG. 6

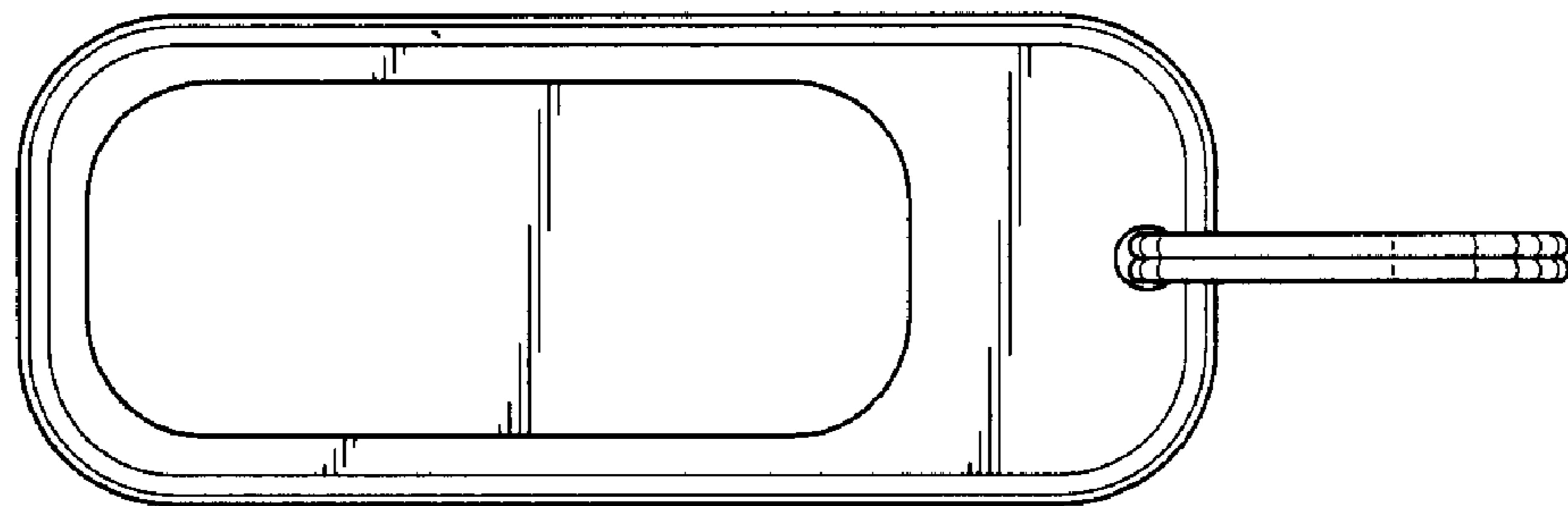


FIG. 7