

US00D556431S

(12) **United States Design Patent**
Amado et al.

(10) **Patent No.:** **US D556,431 S**

(45) **Date of Patent:** **** Dec. 4, 2007**

(54) **SHOE SOLE**

(75) Inventors: **Daniel P. Amado**, Bridgewater, NJ (US); **Luca Bizzo**, Holmdel, NJ (US)

(73) Assignee: **Aerogroup International, Inc.**, Edison, NJ (US)

(**) Term: **14 Years**

(21) Appl. No.: **29/227,156**

(22) Filed: **Apr. 7, 2005**

(51) **LOC (8) Cl.** **02-04**

(52) **U.S. Cl.** **D2/953; D2/947; D2/964**

(58) **Field of Classification Search** D2/896, D2/923, 925-927, 939, 947, 949-950, 957-959, D2/964-965, 967-968; 36/3 B, 24.5, 25 R
See application file for complete search history.

(56) **References Cited**

U.S. PATENT DOCUMENTS

D137,466 S *	3/1944	Pierson	D2/950
D146,521 S *	3/1947	Reggie	D2/950
2,734,288 A *	2/1956	Phillips et al.	36/36 B
2,755,567 A *	7/1956	Rudine	36/11.5

2,946,139 A *	7/1960	Slade	36/7.3
2,965,982 A *	12/1960	Saffir	36/106
3,229,390 A *	1/1966	Laufbahn	36/42

* cited by examiner

Primary Examiner—Ian Simmons

Assistant Examiner—Dana Sipos

(74) *Attorney, Agent, or Firm*—Lackenbach Siegel, LLP

(57) **CLAIM**

The ornamental design for a shoe sole, as shown and described.

DESCRIPTION

FIG. 1 is a bottom plan view of a shoe sole of the present invention;

FIG. 2 is a right side elevational view thereof;

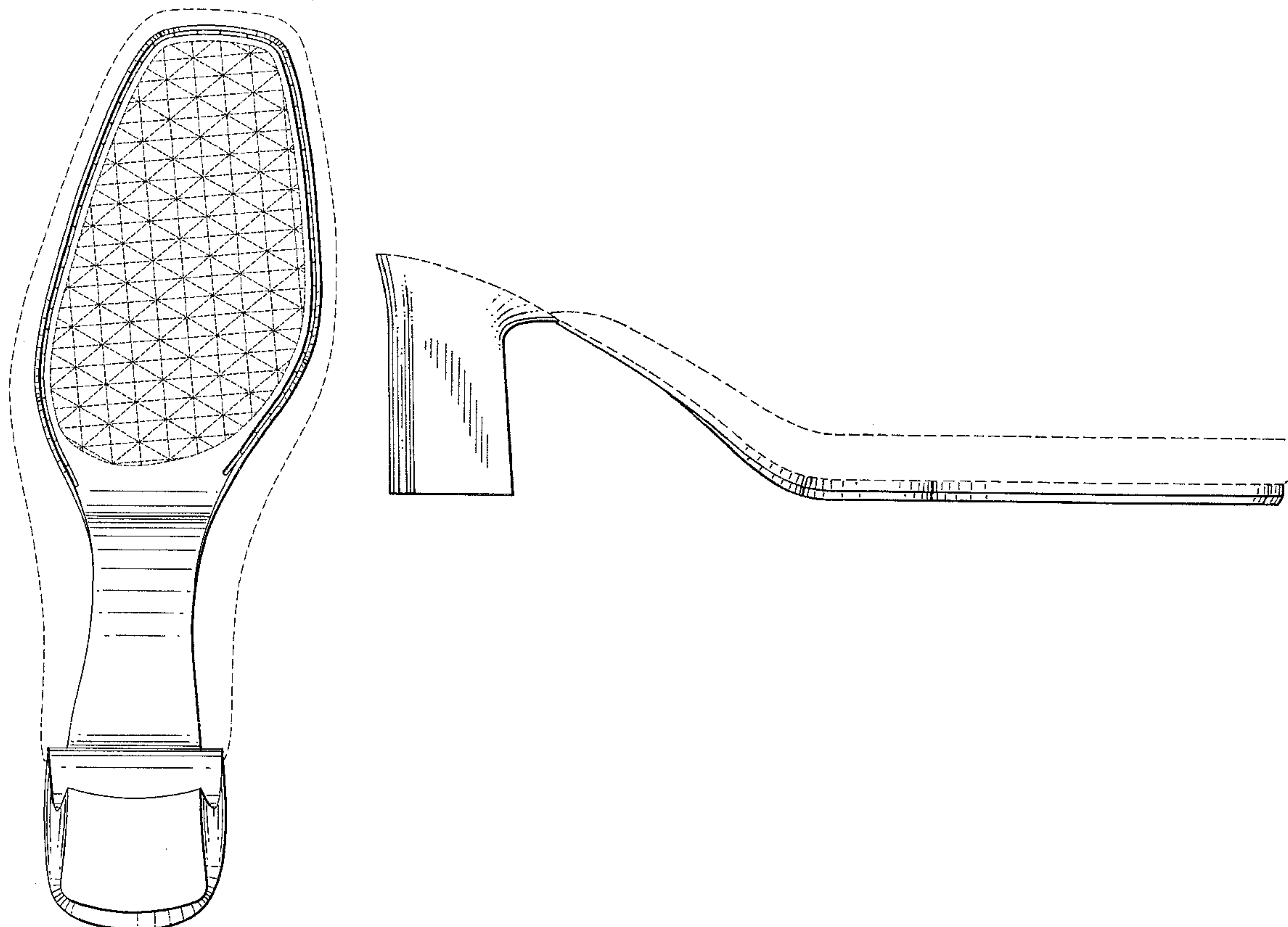
FIG. 3 is a left side elevational view thereof;

FIG. 4 is a front elevational view thereof; and,

FIG. 5 is a rear elevational view thereof.

The broken lines shown in the drawings are for illustrative purposes only and form no part of the claimed design.

1 Claim, 3 Drawing Sheets



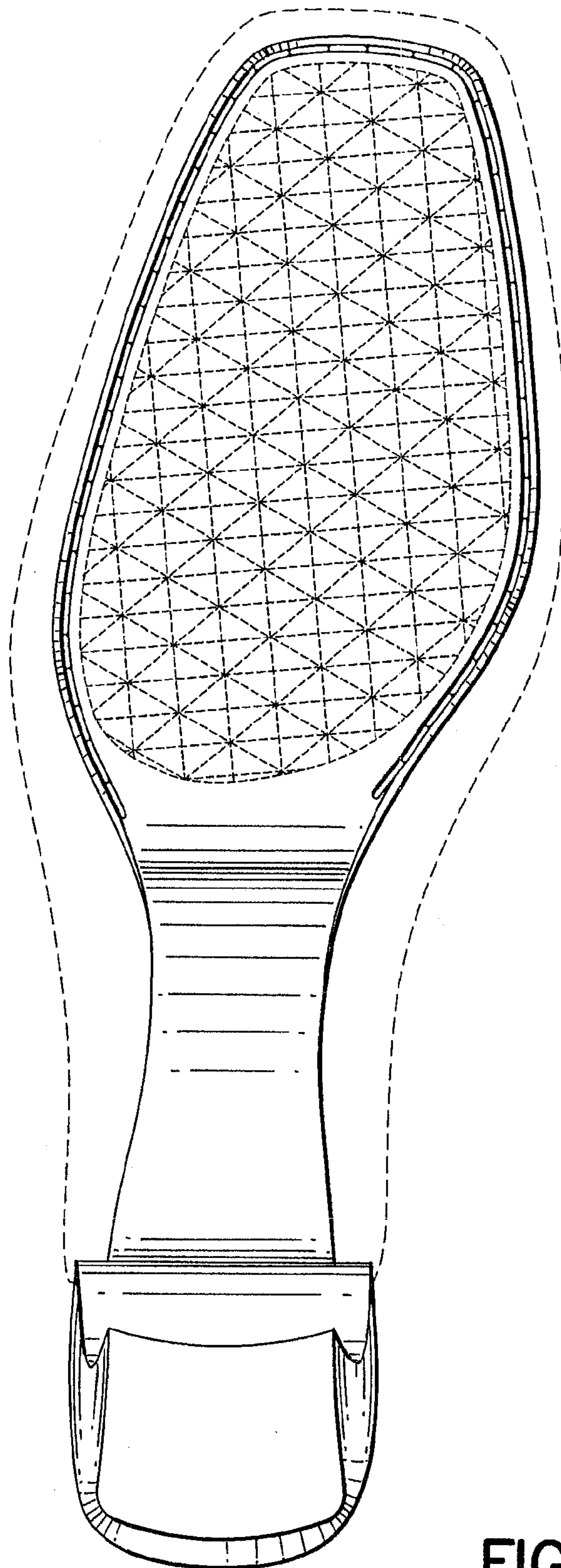


FIG. 1

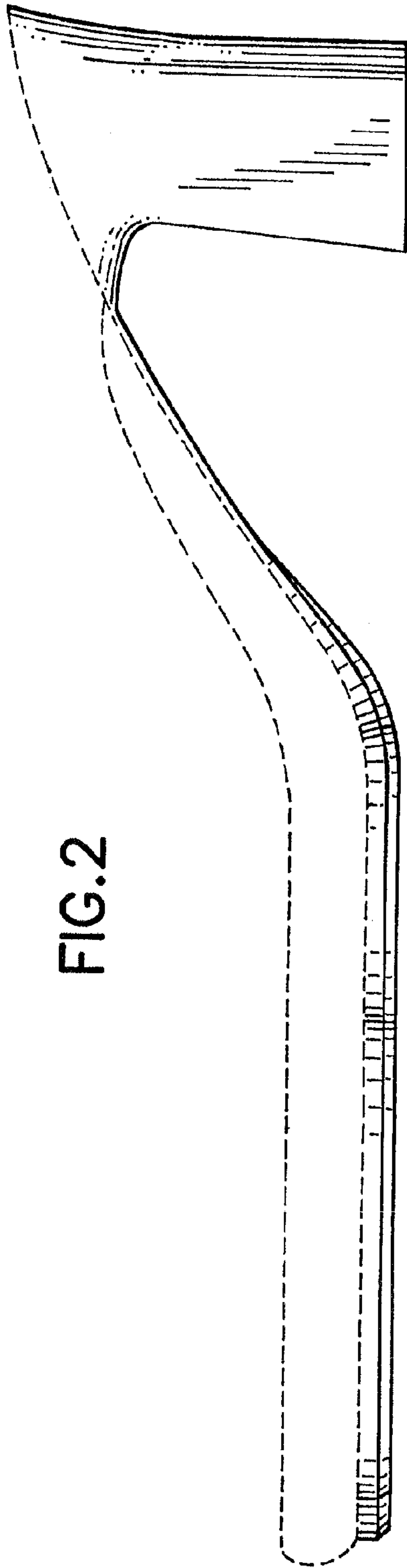


FIG. 2

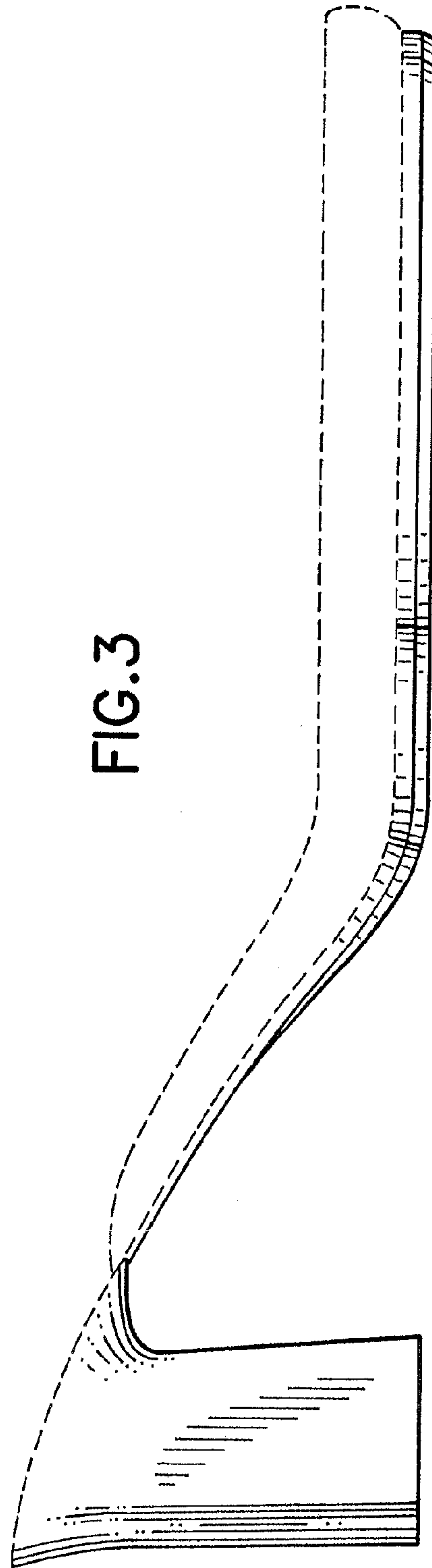


FIG. 3

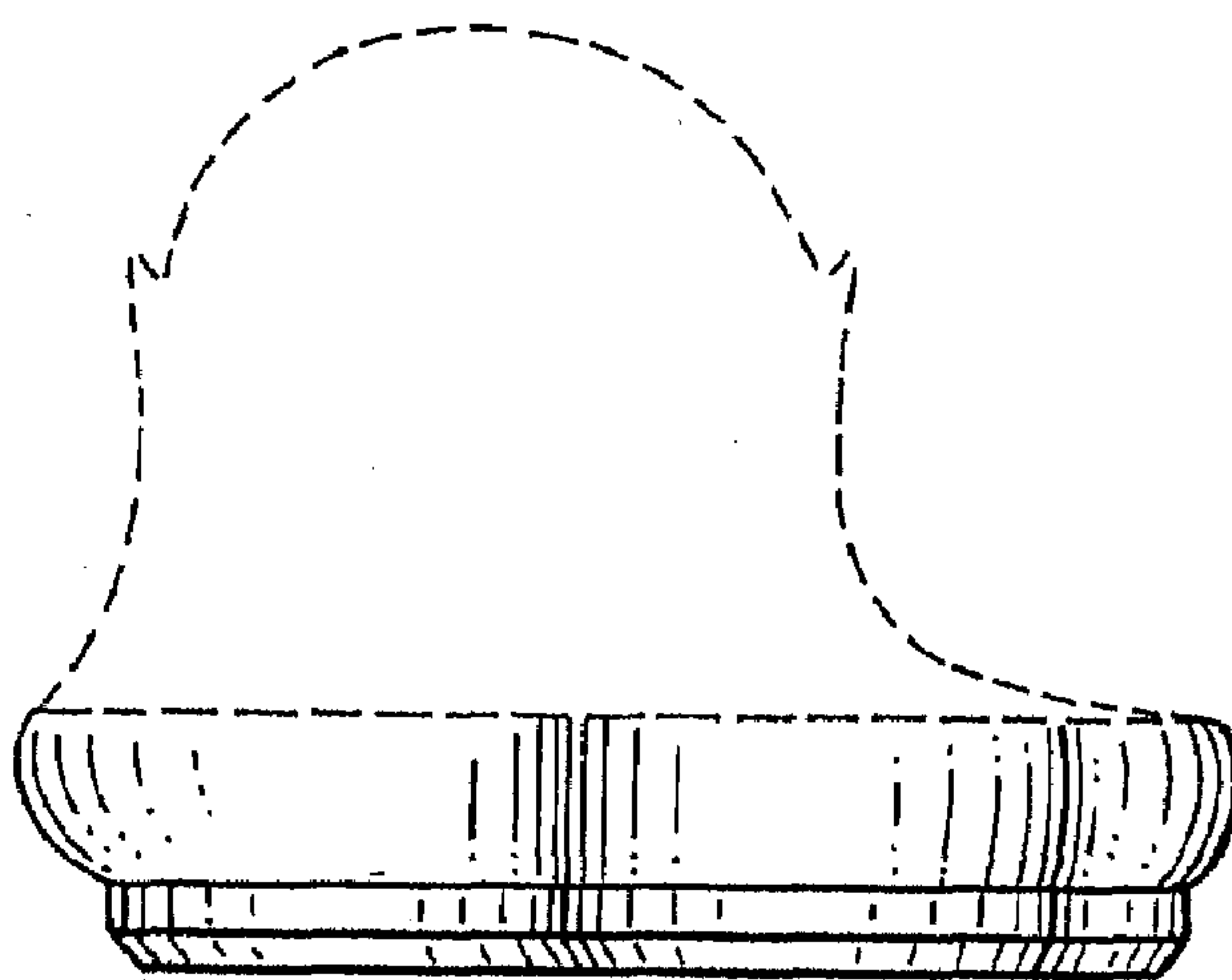


FIG. 4

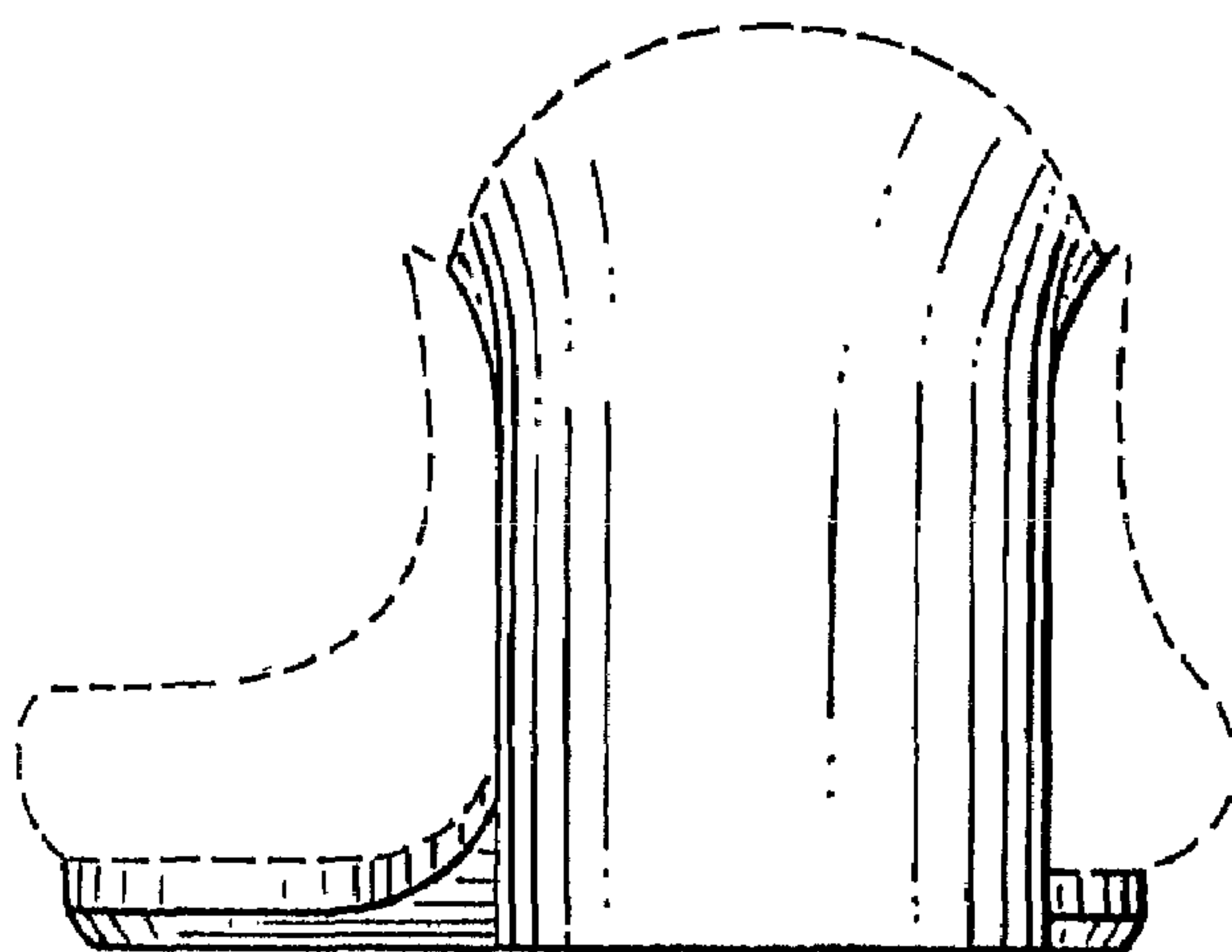


FIG. 5