



US00D556430S

(12) **United States Design Patent**
Pezzner

(10) **Patent No.:** **US D556,430 S**

(45) **Date of Patent:** **** Dec. 4, 2007**

(54) **SNEAKER**

(76) **Inventor:** **Joshua B. Pezzner**, 1513 Broad Run Rd., Landenberg, PA (US) 19350

(**) **Term:** **14 Years**

(21) **Appl. No.:** **29/280,037**

(22) **Filed:** **May 15, 2007**

(51) **LOC (8) Cl.** **02-04**

(52) **U.S. Cl.** **D2/936**

(58) **Field of Classification Search** D2/936,
D2/896, 902, 906, 907, 916-919, 943, 944,
D2/969; 36/45, 110-115, 7.5, 50.1

See application file for complete search history.

(56) **References Cited**

U.S. PATENT DOCUMENTS

D170,107 S	8/1953	Baroumes	
D250,976 S	2/1979	Finn	
4,188,735 A *	2/1980	Hahn	36/11.5
D254,457 S	3/1980	Finn	
D254,578 S	4/1980	Finn	
D264,392 S *	5/1982	Lydiard	D2/907
D273,827 S	5/1984	Huberman et al.	
D293,157 S *	12/1987	Williams	D2/926
D296,609 S *	7/1988	Schine	D2/907
D297,681 S *	9/1988	Schine	D2/907

D324,446 S *	3/1992	Ethier	D2/907
D349,390 S	8/1994	Buckner	
D350,015 S	8/1994	Buckner	
D350,223 S	9/1994	Buckner	
D350,224 S *	9/1994	Buckner	D2/916
D363,814 S	11/1995	Tsujino	
D365,673 S	1/1996	Bradway	
D485,422 S	1/2004	Levine	

* cited by examiner

Primary Examiner—Stella M. Reid

Assistant Examiner—Rashida C. McCoy

(74) *Attorney, Agent, or Firm*—Connolly Bove Lodge & Hutz

(57) **CLAIM**

The ornamental design for a sneaker, as shown and described.

DESCRIPTION

FIG. 1 is a right side elevational view of a sneaker showing my new design;

FIG. 2 is a front elevational view thereof;

FIG. 3 is a rear elevational view thereof;

FIG. 4 is a top plan view thereof; and,

FIG. 5 is a bottom plan view thereof.

1 Claim, 2 Drawing Sheets

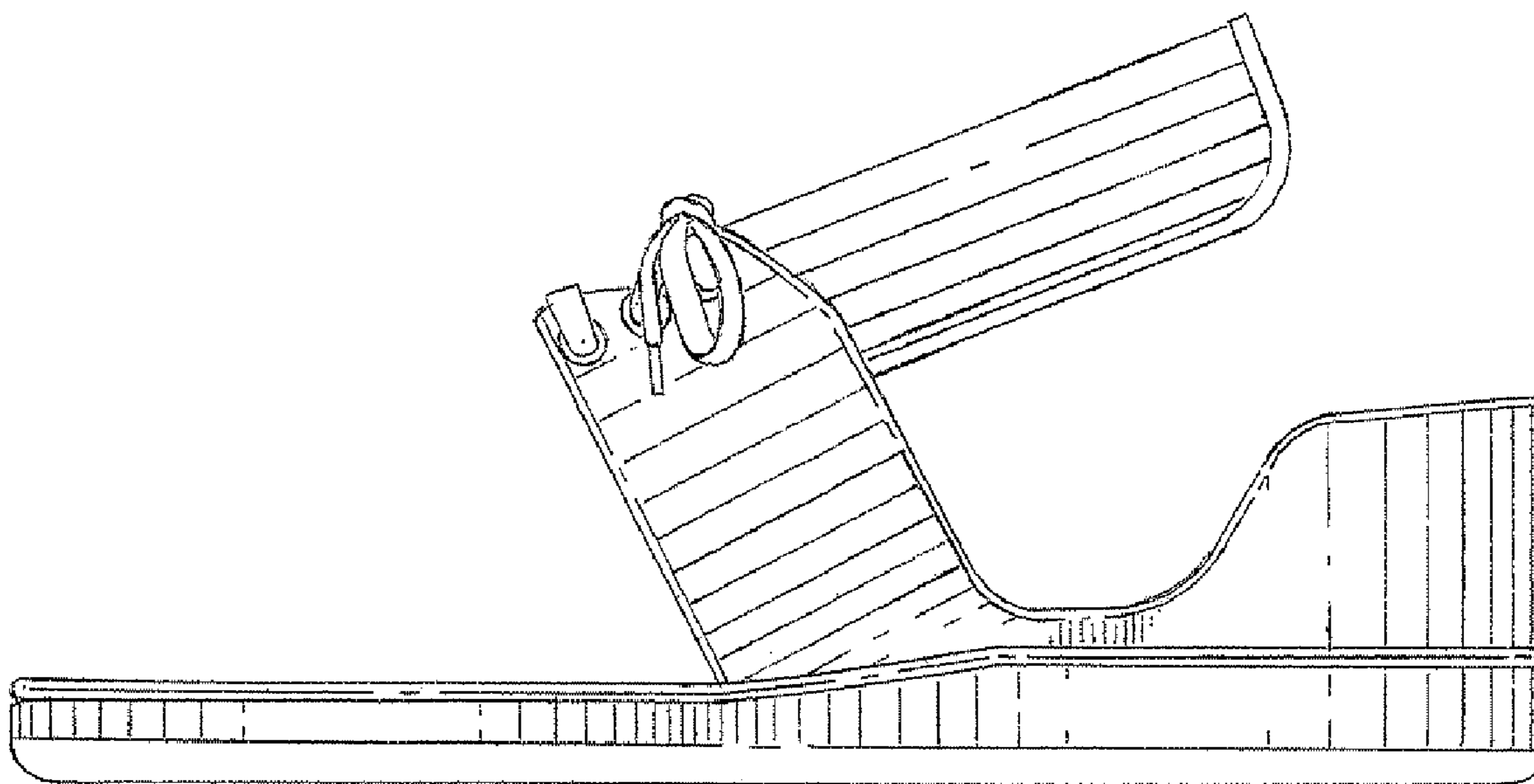


Fig. 4.

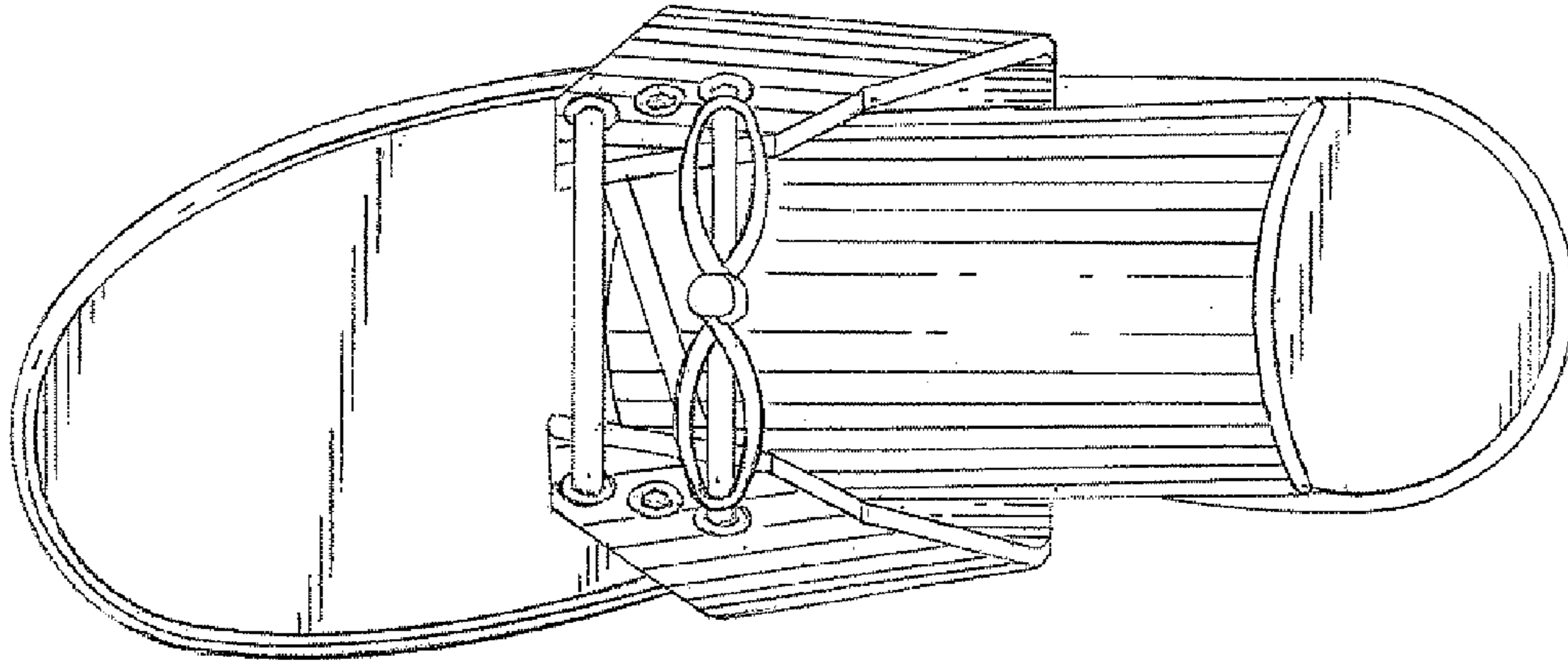


Fig. 1.

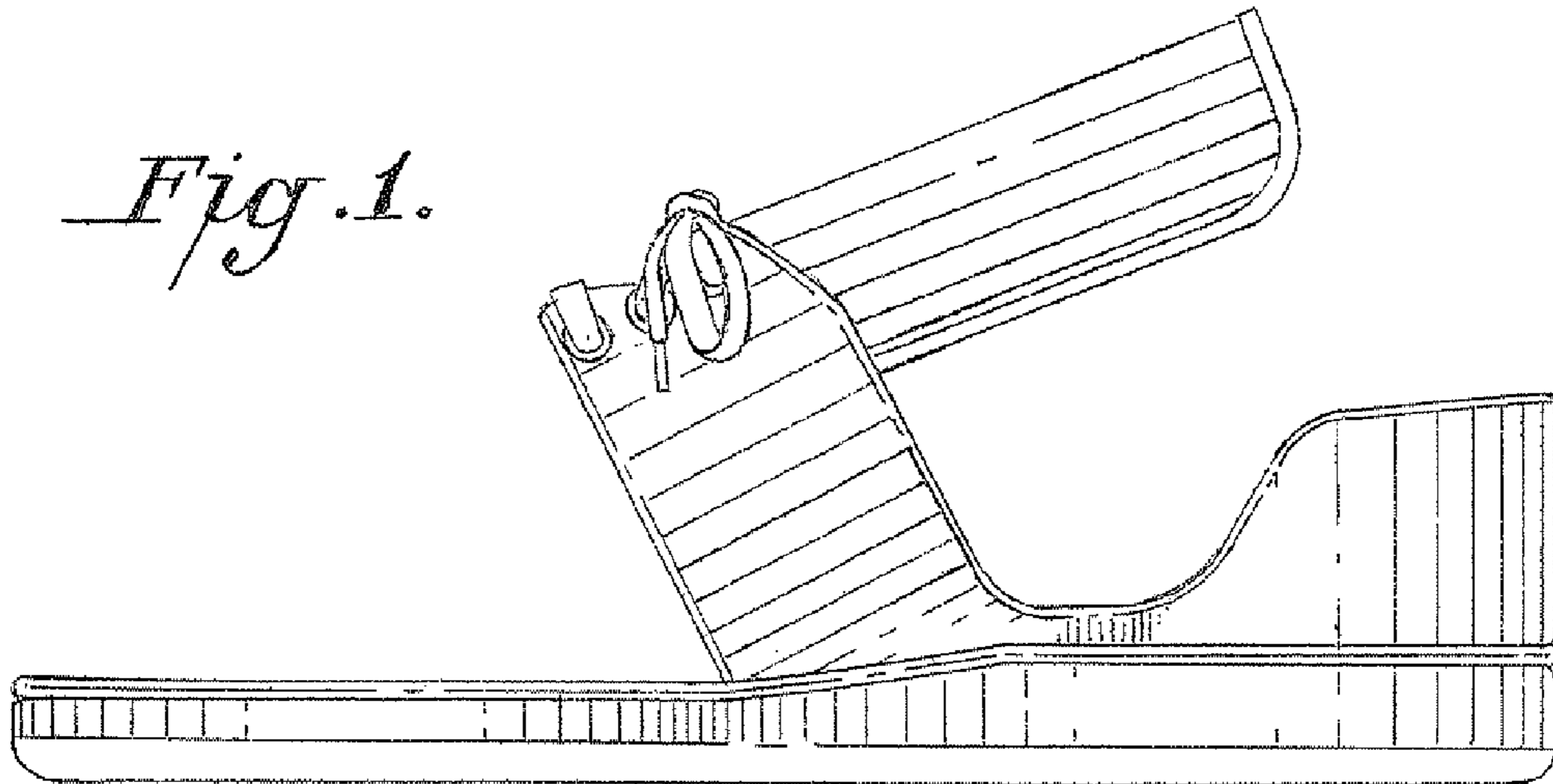


Fig. 5.

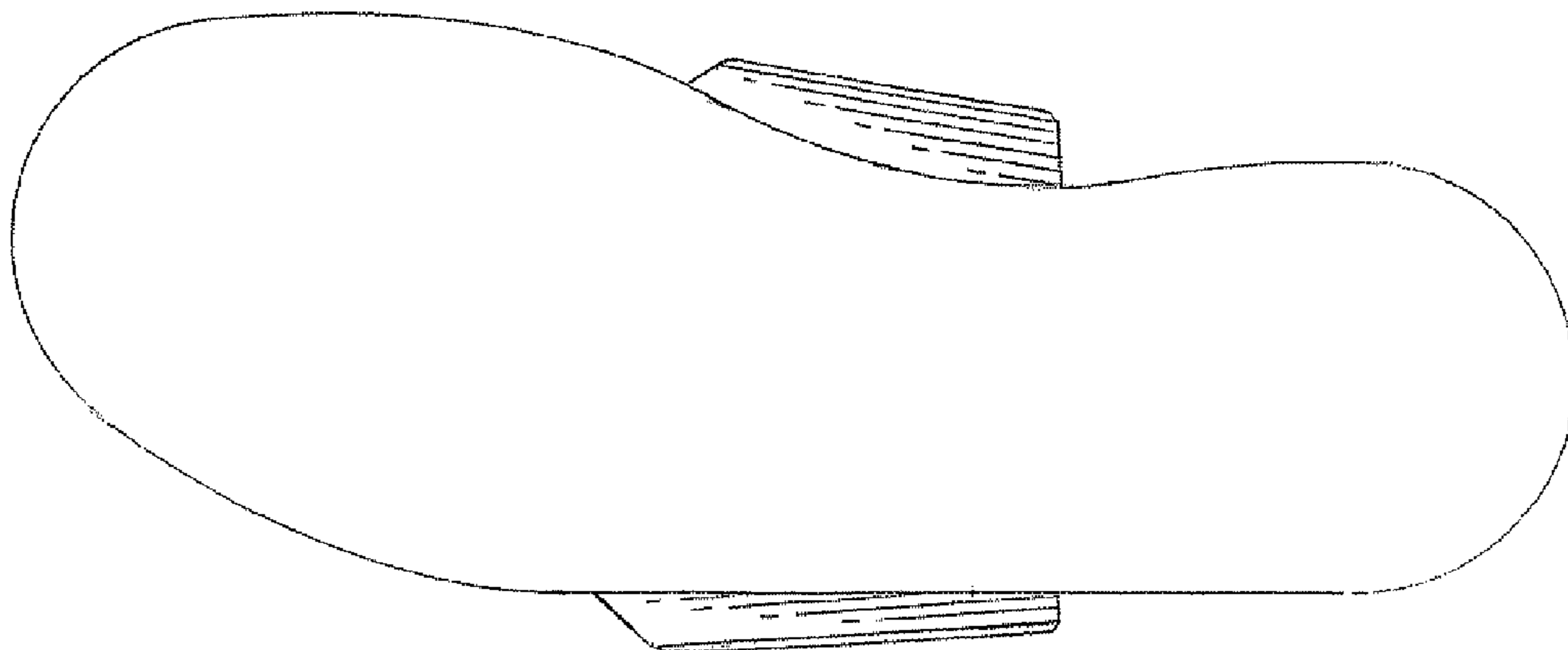


Fig. 2.

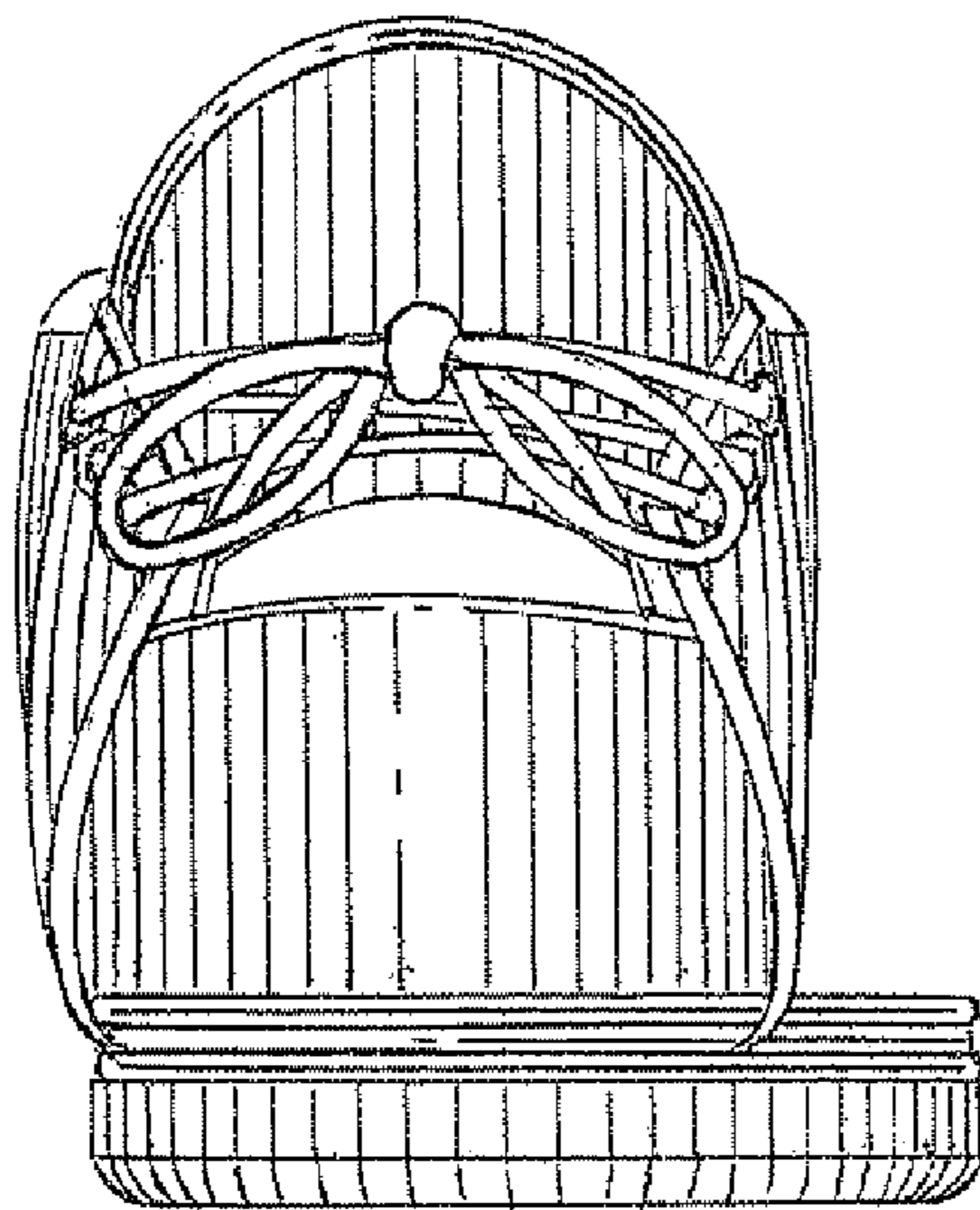


Fig. 3.

