



US00D556428S

(12) **United States Design Patent**  
**Sarantopoulos**

(10) **Patent No.:** **US D556,428 S**

(45) **Date of Patent:** **\*\* Dec. 4, 2007**

(54) **BASEBALL CAP WITH REAR SPOILER**

(76) Inventor: **Dennis Sarantopoulos**, P.O. Box 95,  
Dillon Beach, CA (US) 94929

(\*\*) Term: **14 Years**

(21) Appl. No.: **29/266,551**

(22) Filed: **Sep. 22, 2006**

(51) **LOC (8) Cl.** ..... **02-03**

(52) **U.S. Cl.** ..... **D2/891**

(58) **Field of Classification Search** ..... D2/865,  
D2/866, 867, 868, 869, 870, 874, 877, 878,  
D2/879, 880, 881, 883, 893; D12/88; D21/443,  
D21/662; D24/206; D29/122; 2/10, 12,  
2/171, 172, 171.1, 195.1, 195.3, 195.6; 446/26,  
446/27

See application file for complete search history.

(56) **References Cited**

**U.S. PATENT DOCUMENTS**

3,455,594	A *	7/1969	Mrlík et al.	.....	296/180.5
4,558,898	A *	12/1985	Deaver	.....	296/180.1
D282,980	S *	3/1986	Hayton	.....	D2/872
4,635,991	A *	1/1987	Parno	.....	296/180.1
D294,877	S	3/1988	Burley		
D365,782	S *	1/1996	Reynard et al.	.....	D12/88
5,740,557	A *	4/1998	Reid et al.	.....	2/209.13
D406,190	S	3/1999	Hagerty		
D412,773	S	8/1999	Zak et al.		
D419,752	S	2/2000	Hathaway		
D438,144	S *	2/2001	Hettler	.....	D12/92
6,240,568	B1 *	6/2001	Lee	.....	2/209.13
D465,180	S *	11/2002	Yokomaku	.....	D12/181
D471,489	S *	3/2003	Greenfield	.....	D12/88
D501,290	S *	2/2005	Zuloff	.....	D2/866
D505,776	S *	6/2005	Prinz	.....	D2/880
D514,281	S	2/2006	Cho		
D514,486	S *	2/2006	Preuninger et al.	.....	D12/181
7,052,074	B2 *	5/2006	Dringenberg et al.	....	296/180.5
D526,598	S *	8/2006	Singer et al.	.....	D12/88

\* cited by examiner

*Primary Examiner*—Elizabeth A. Albert

*Assistant Examiner*—Karen E Eldridge Powers

(74) *Attorney, Agent, or Firm*—Thomas M. Freiburger

(57) **CLAIM**

The ornamental design for a baseball cap with rear spoiler, as shown and described.

**DESCRIPTION**

FIG. 1 is a perspective view showing a baseball cap with rear spoiler, showing my new design;

FIG. 2 is a top plan view thereof;

FIG. 3 is a bottom plan view thereof;

FIG. 4 is a left side elevation view thereof, the right side being a mirror image;

FIG. 5 is a front elevation view thereof;

FIG. 6 is a rear elevation view thereof;

FIG. 7 is a perspective view showing a baseball cap with rear spoiler in accordance with a second embodiment of my design;

FIG. 8 is a top plan view thereof;

FIG. 9 is a bottom plan view thereof;

FIG. 10 is a left side elevation view thereof, the right side being a mirror image;

FIG. 11 is a front elevation view thereof;

FIG. 12 is a rear elevation view thereof;

FIG. 13 is a perspective view of a baseball cap with rear spoiler in accordance with a third embodiment of my design;

FIG. 14 is a top plan view thereof;

FIG. 15 is a bottom plan view thereof;

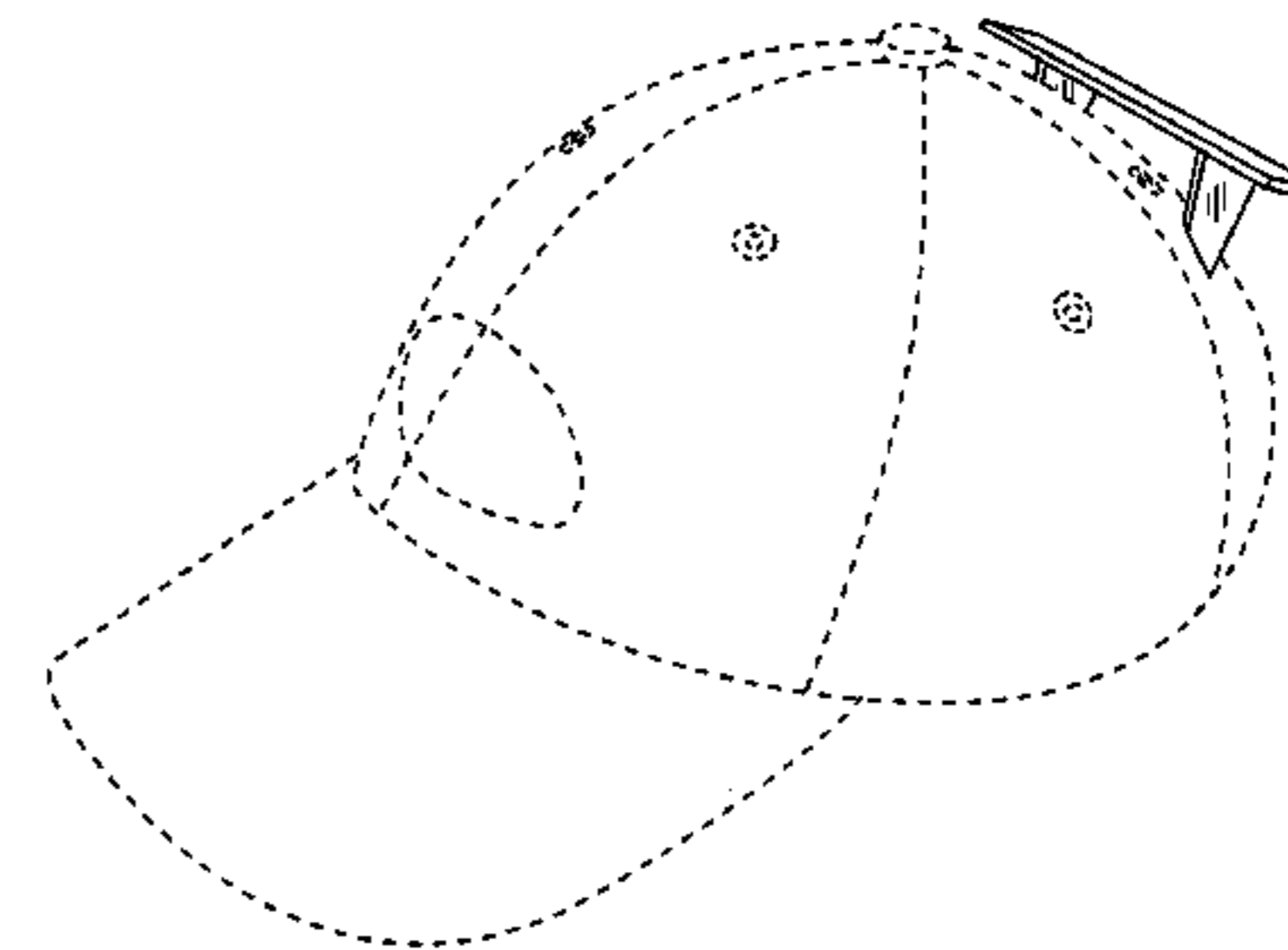
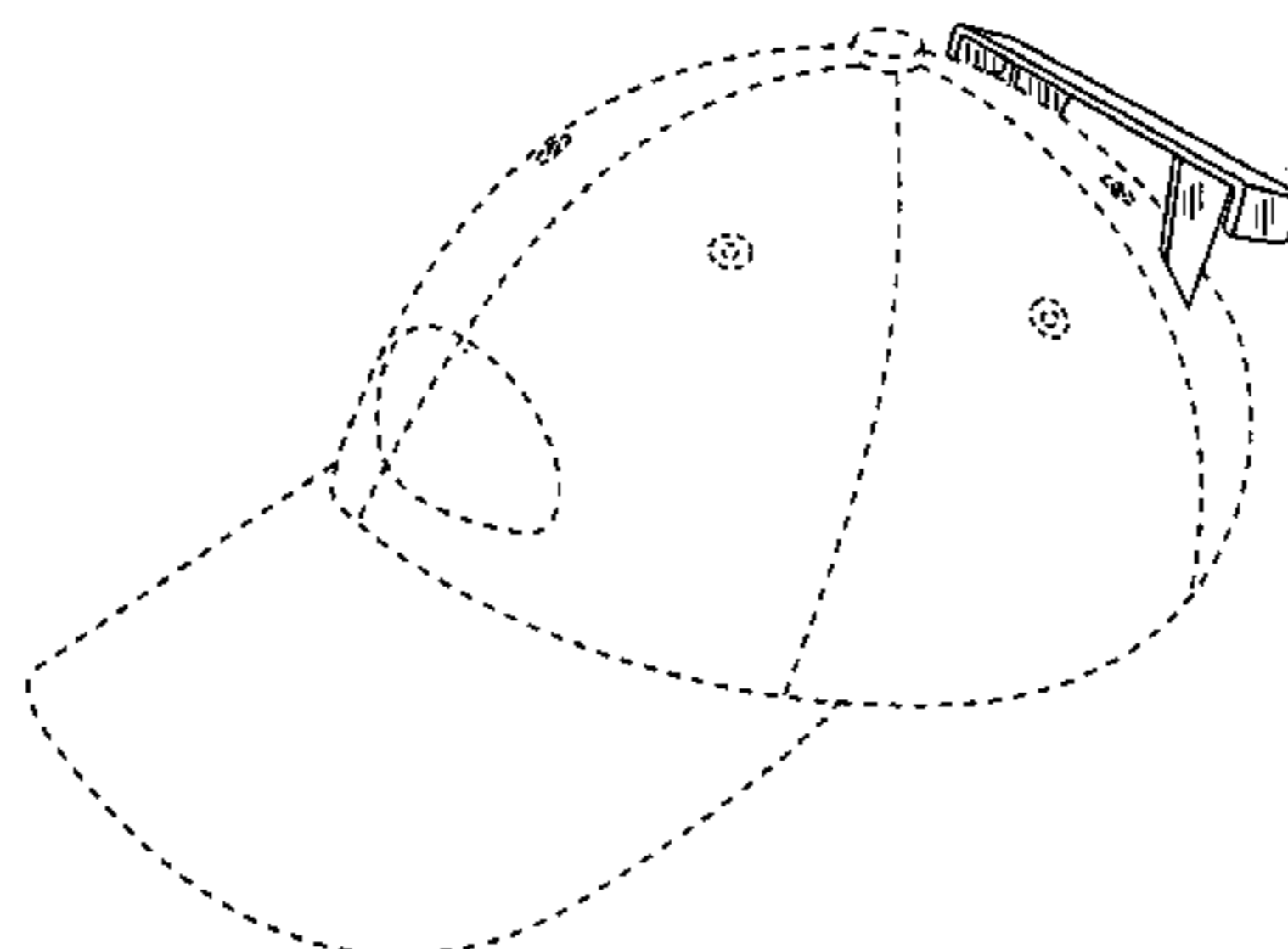
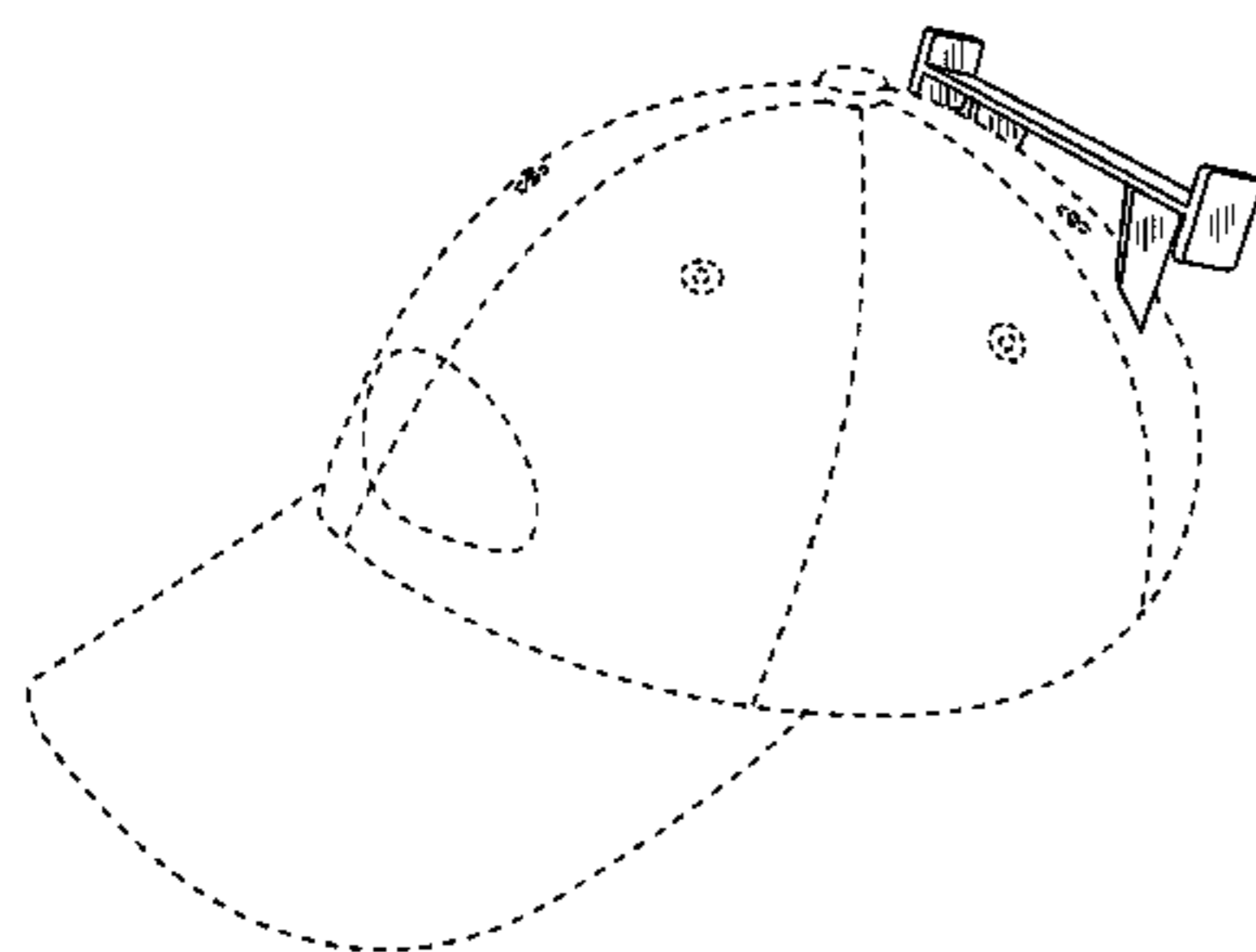
FIG. 16 is a left side elevation view thereof, the right side being a mirror image;

FIG. 17 is a front elevation view thereof; and,

FIG. 18 is a rear elevation view thereof.

The broken line showing of the baseball cap in all views is for illustrative purposes only and forms no part of the claimed design.

**1 Claim, 9 Drawing Sheets**



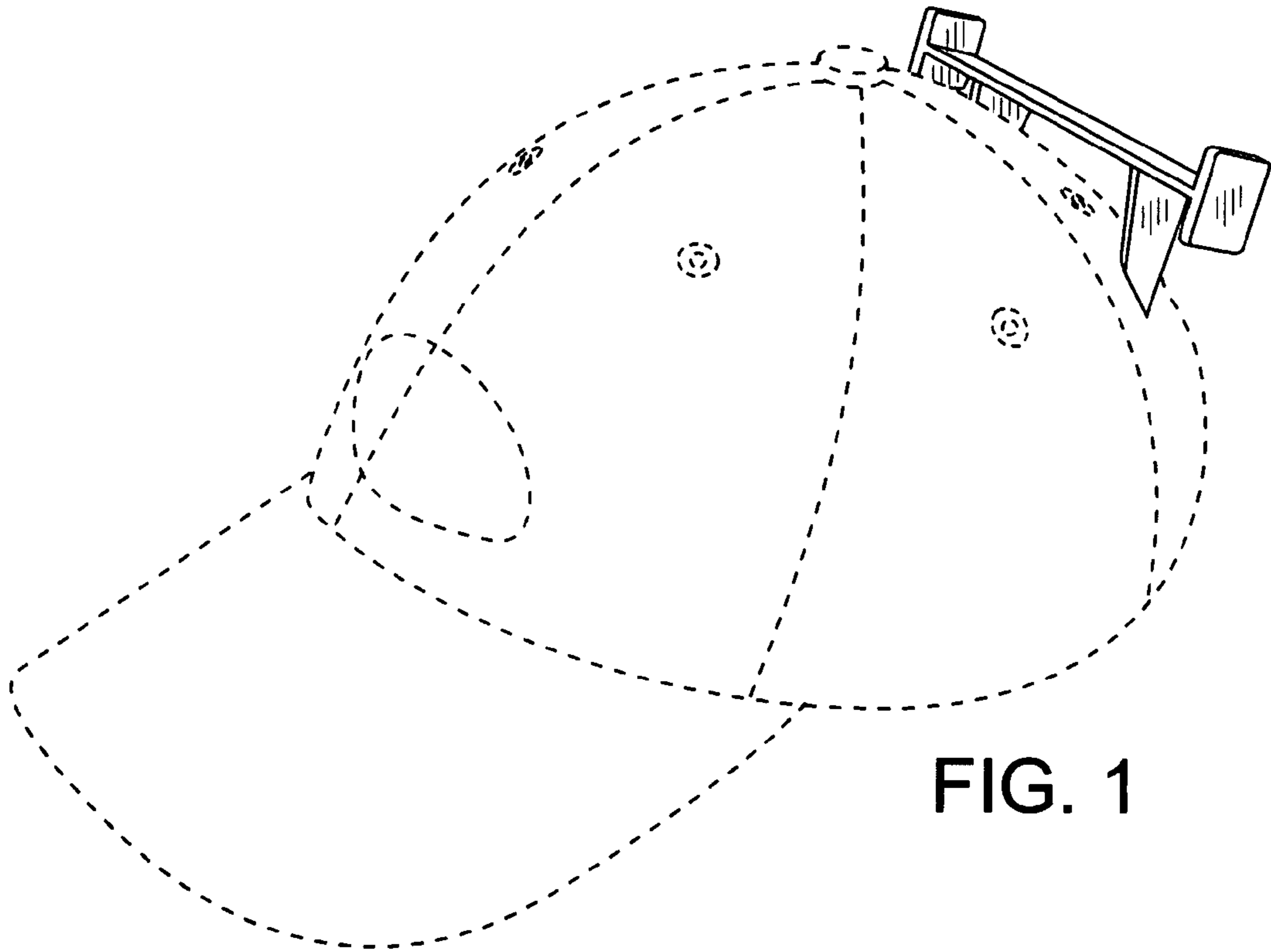


FIG. 1

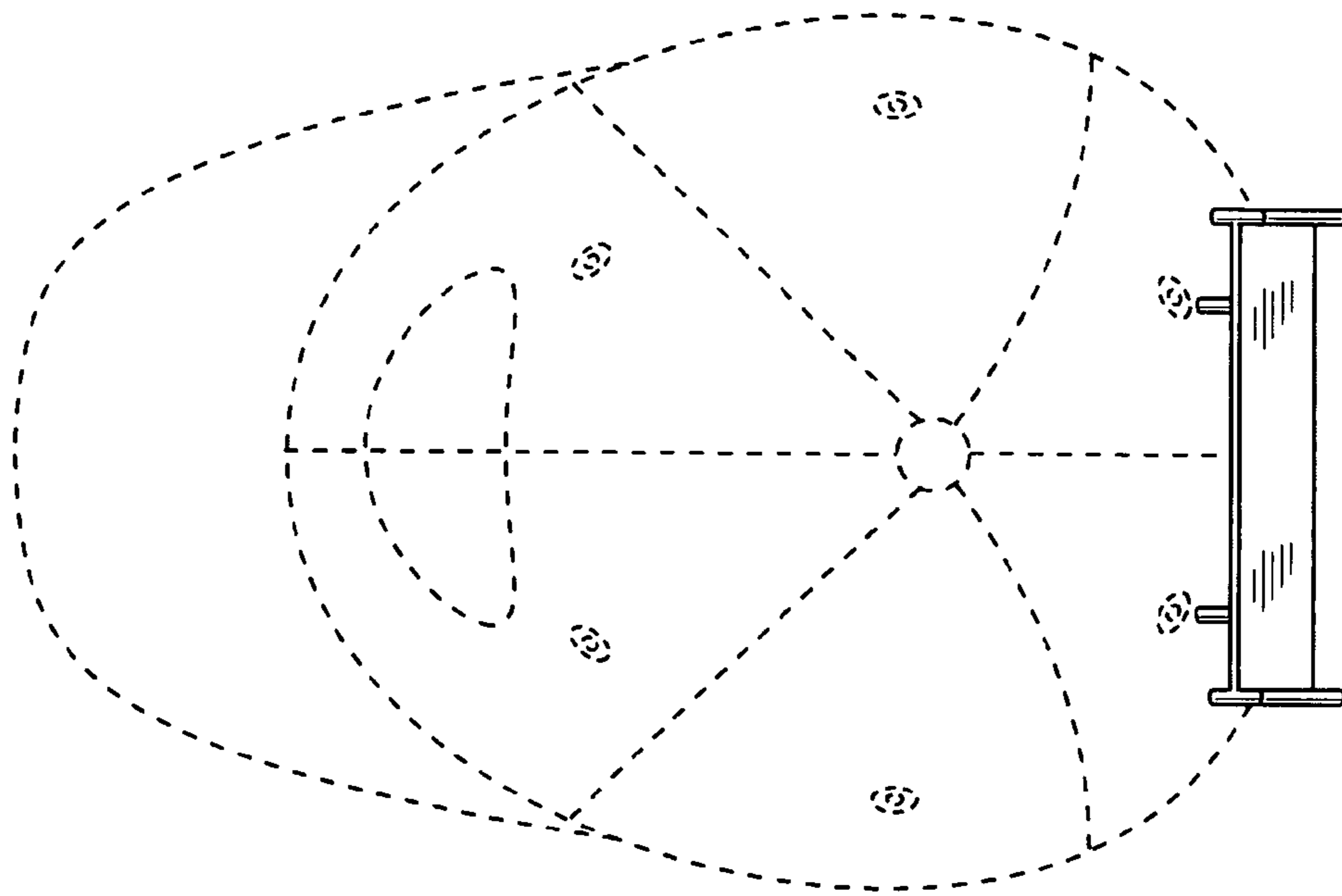


FIG. 2

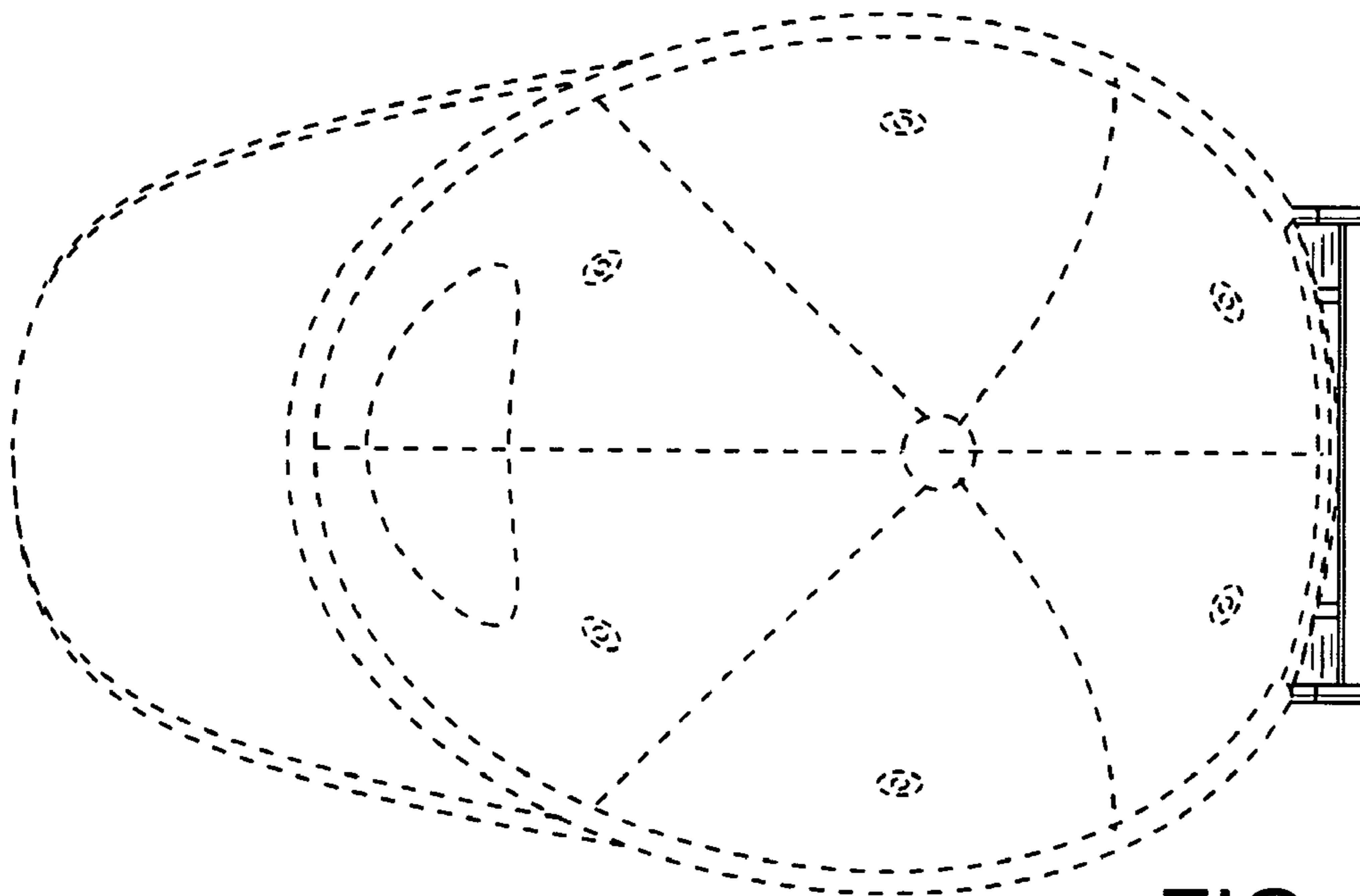


FIG. 3

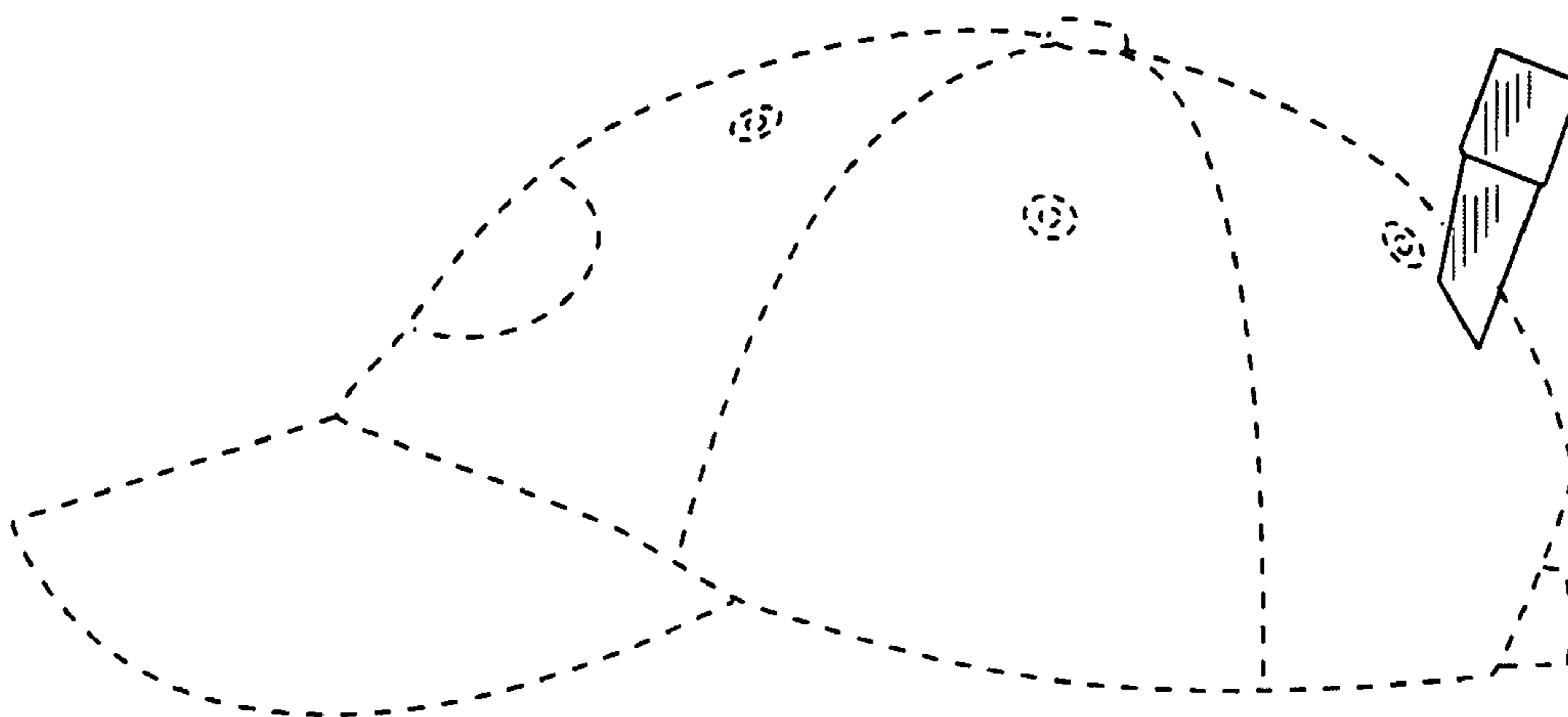


FIG. 4

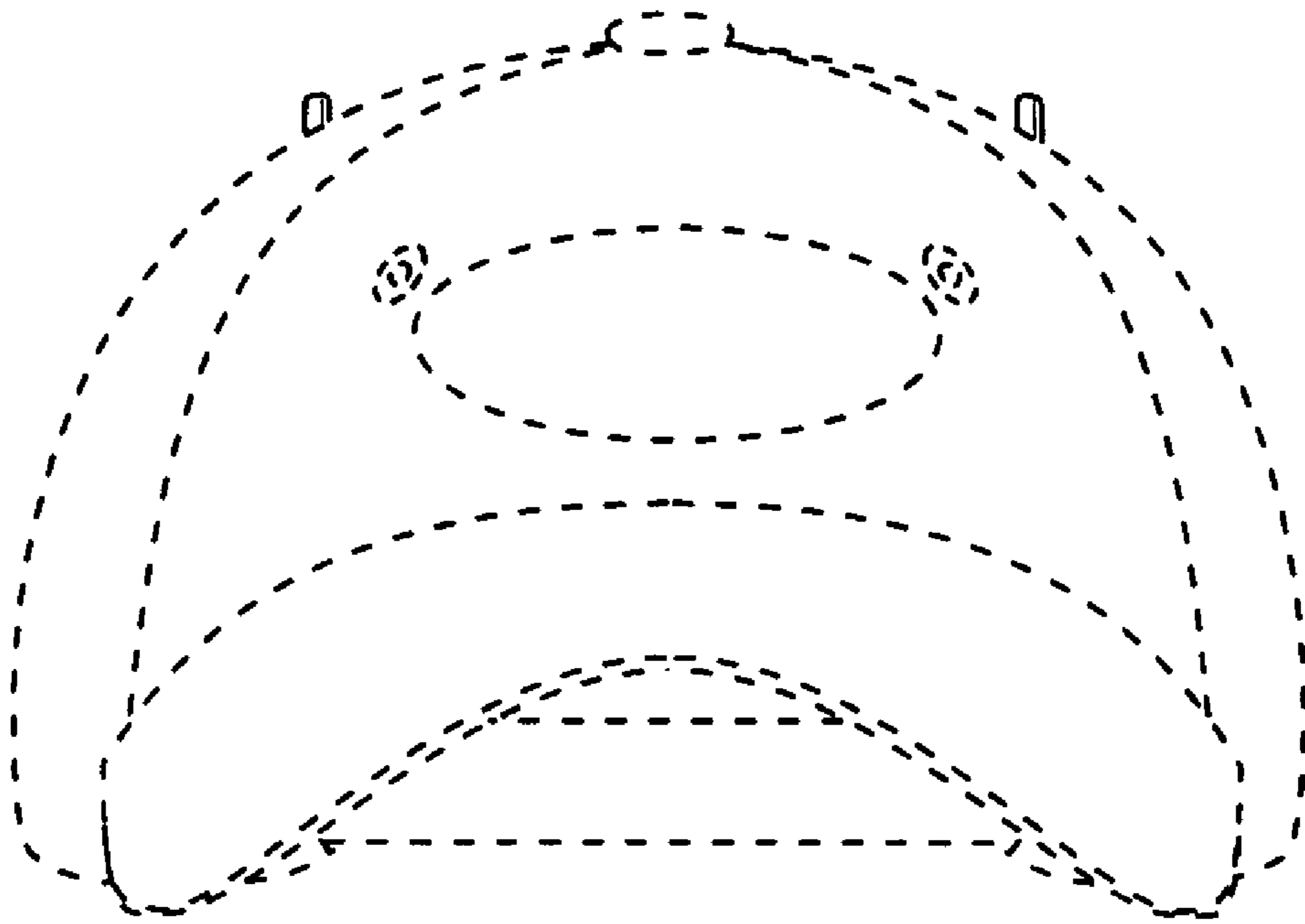


FIG. 5

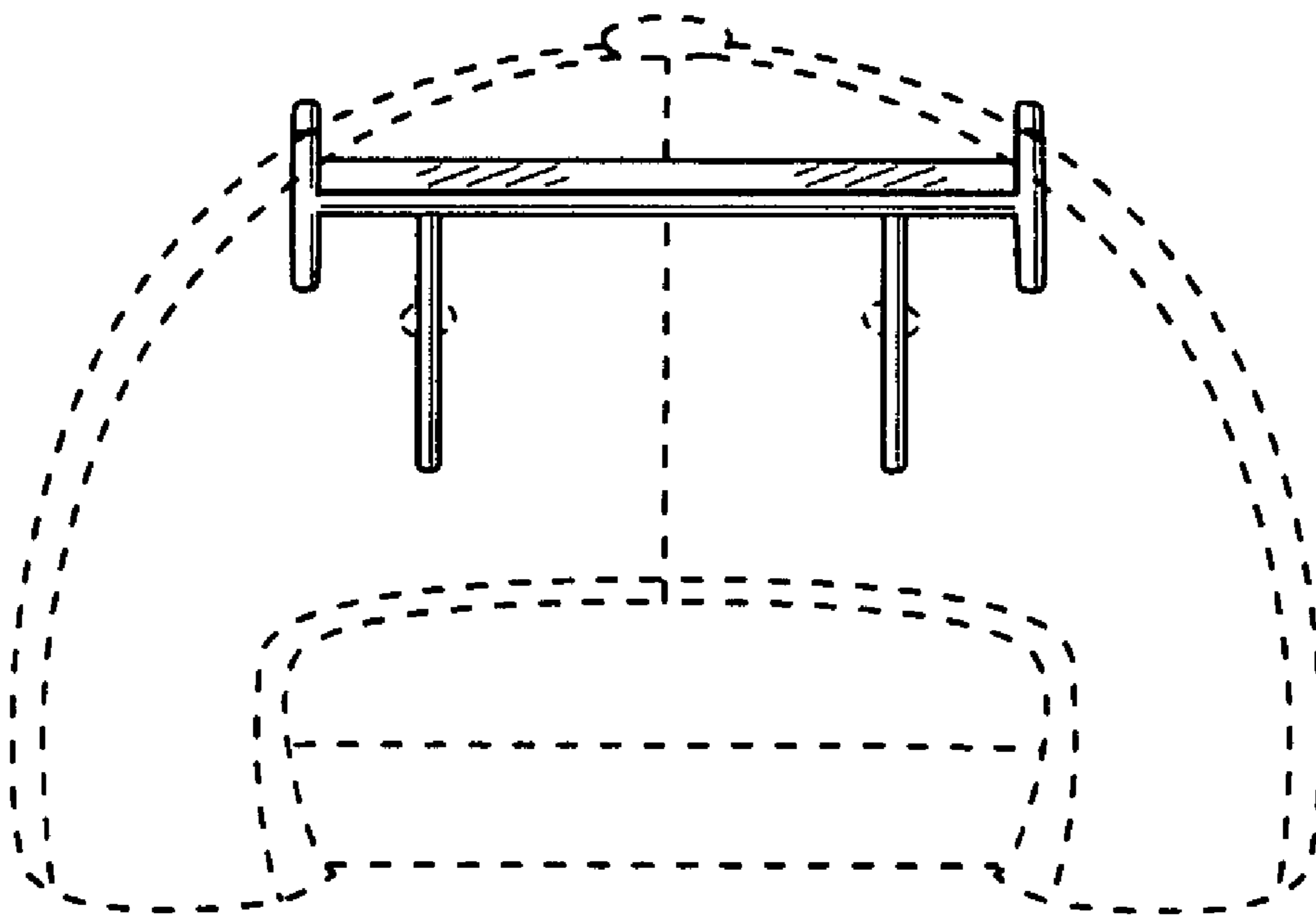


FIG. 6

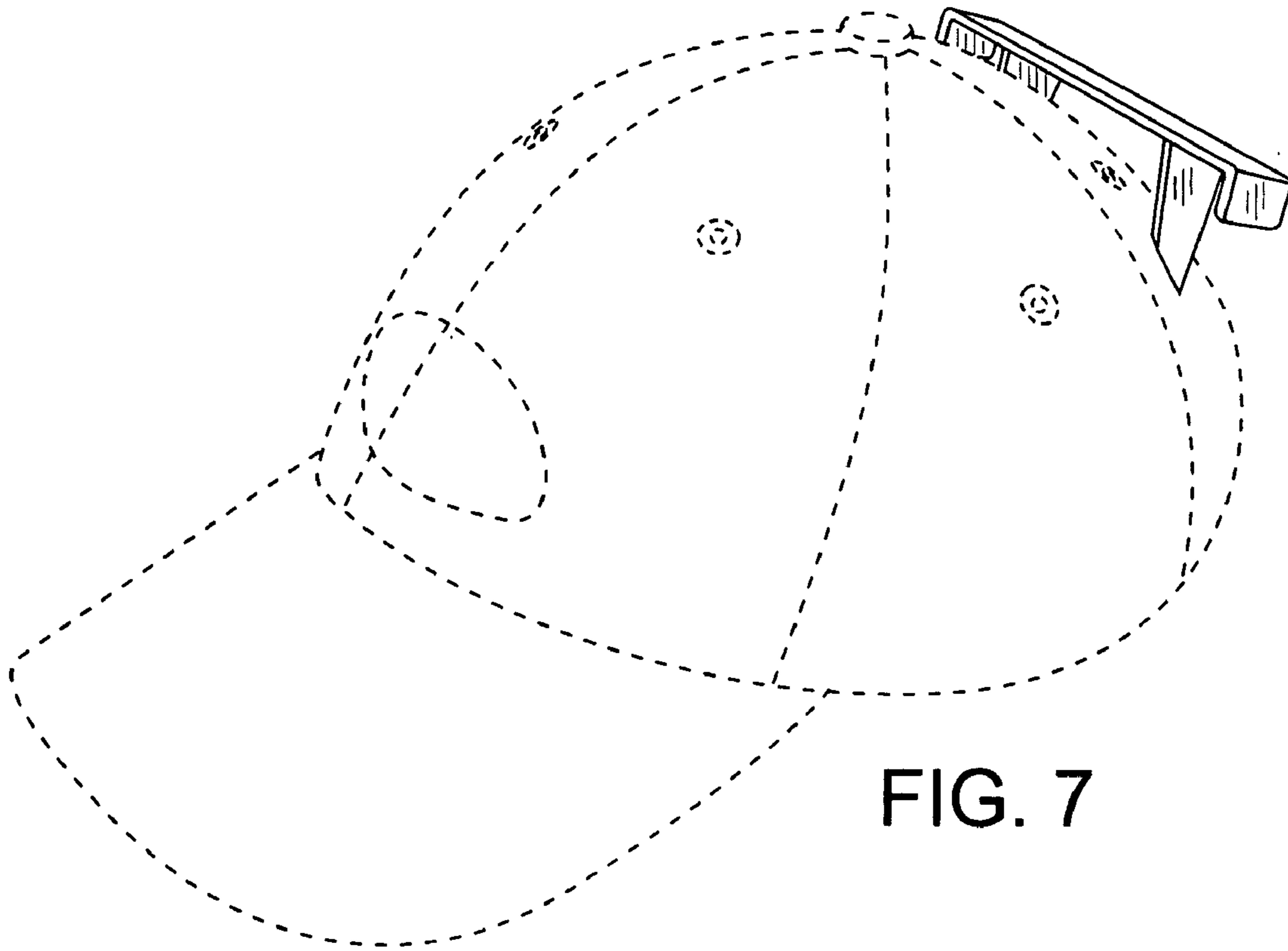


FIG. 7

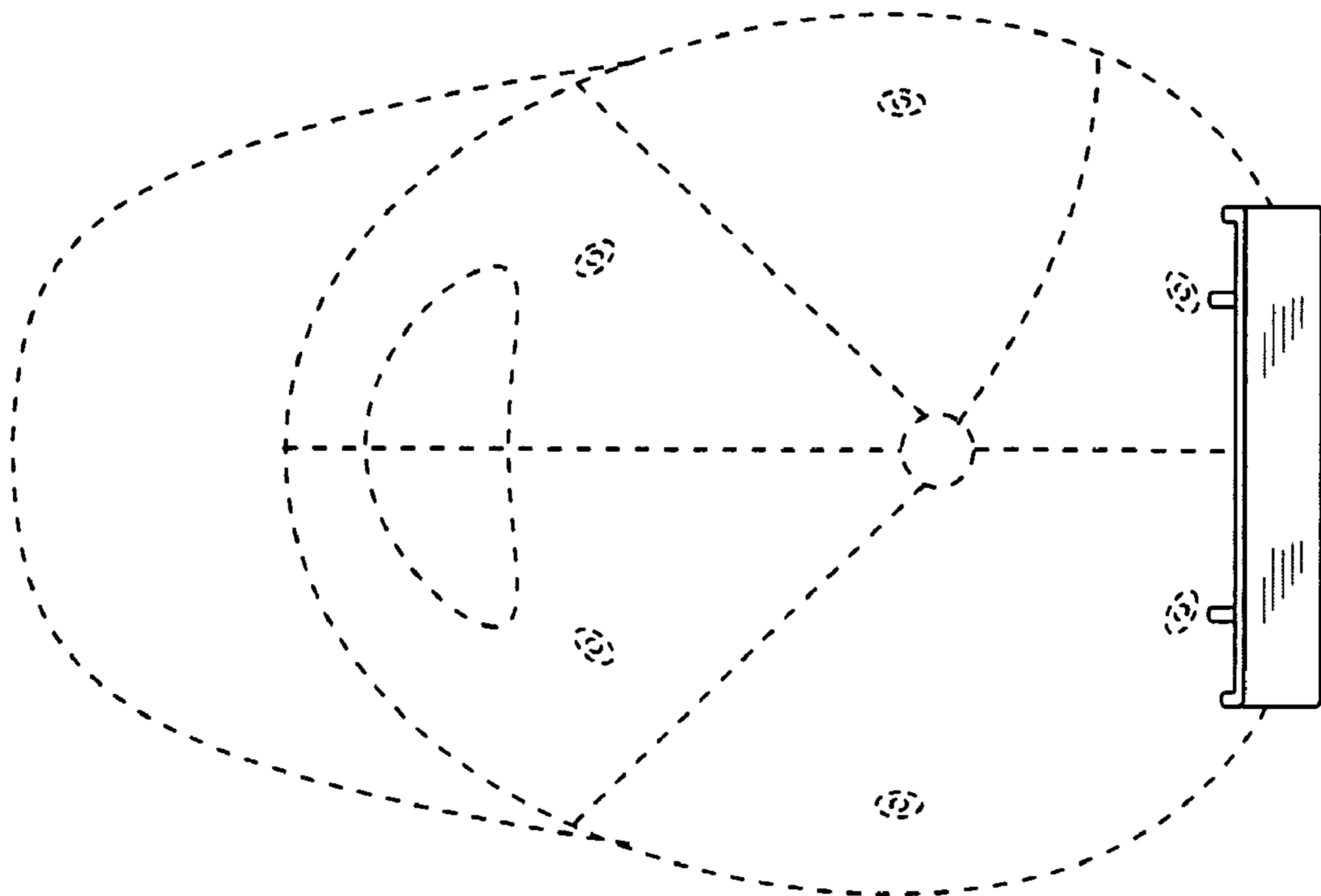


FIG. 8

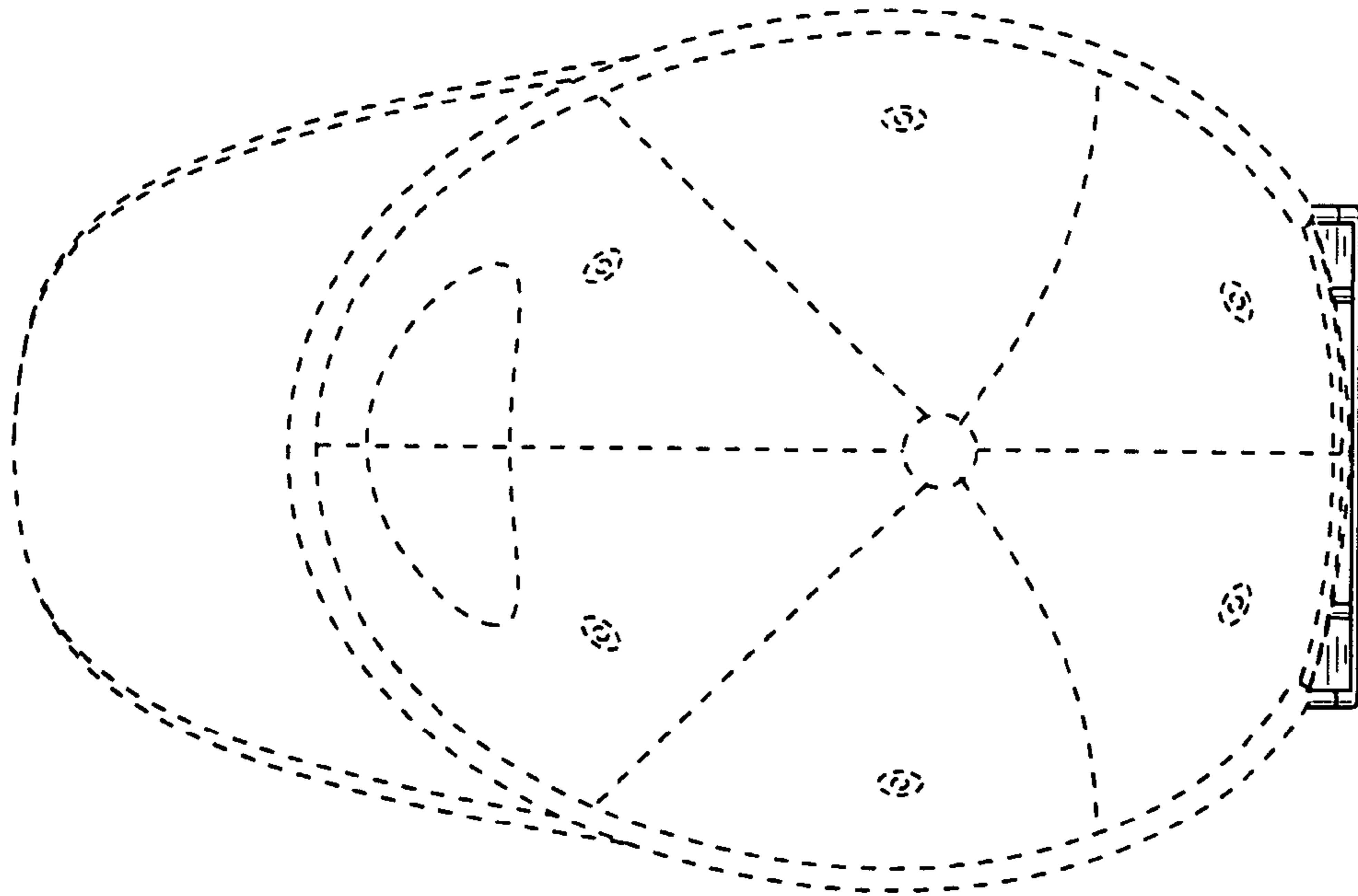


FIG. 9

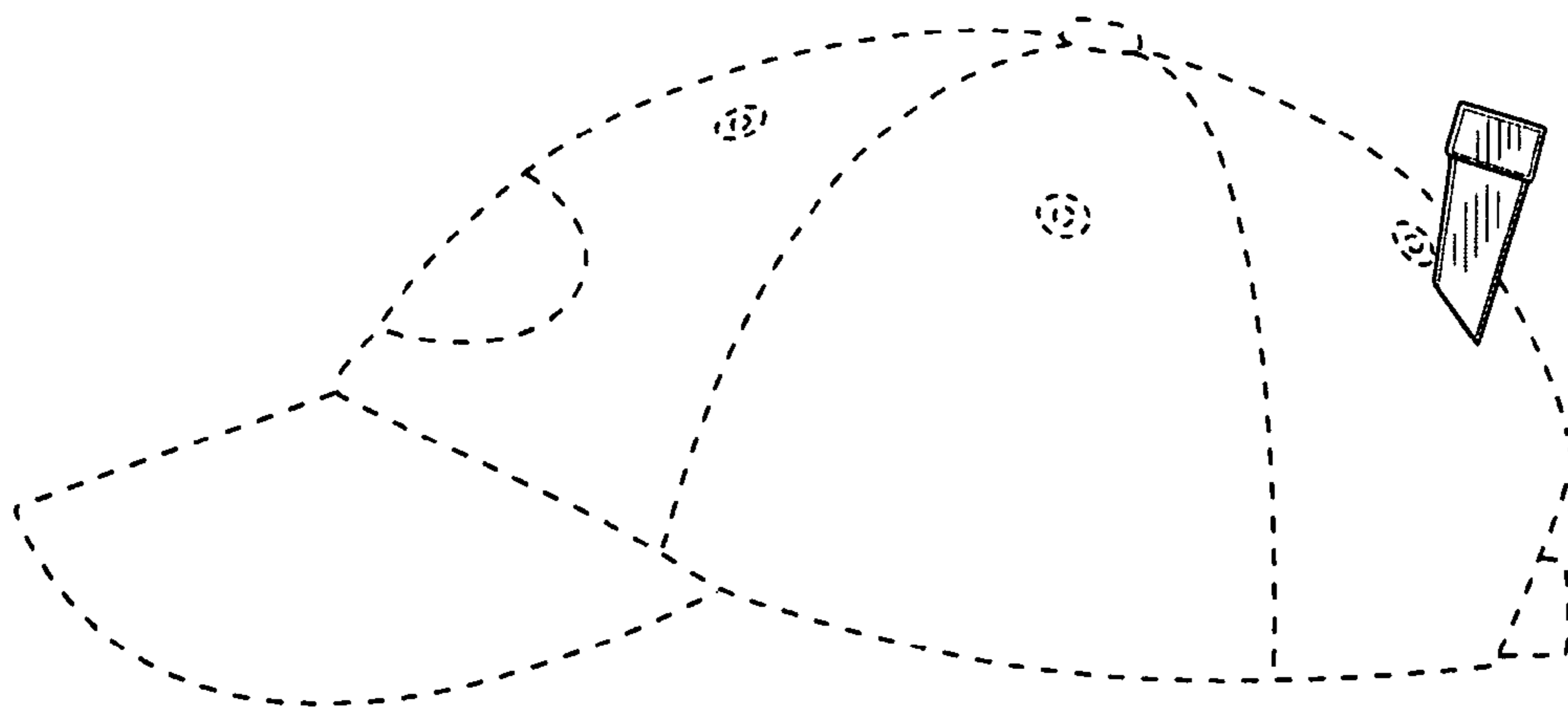


FIG. 10

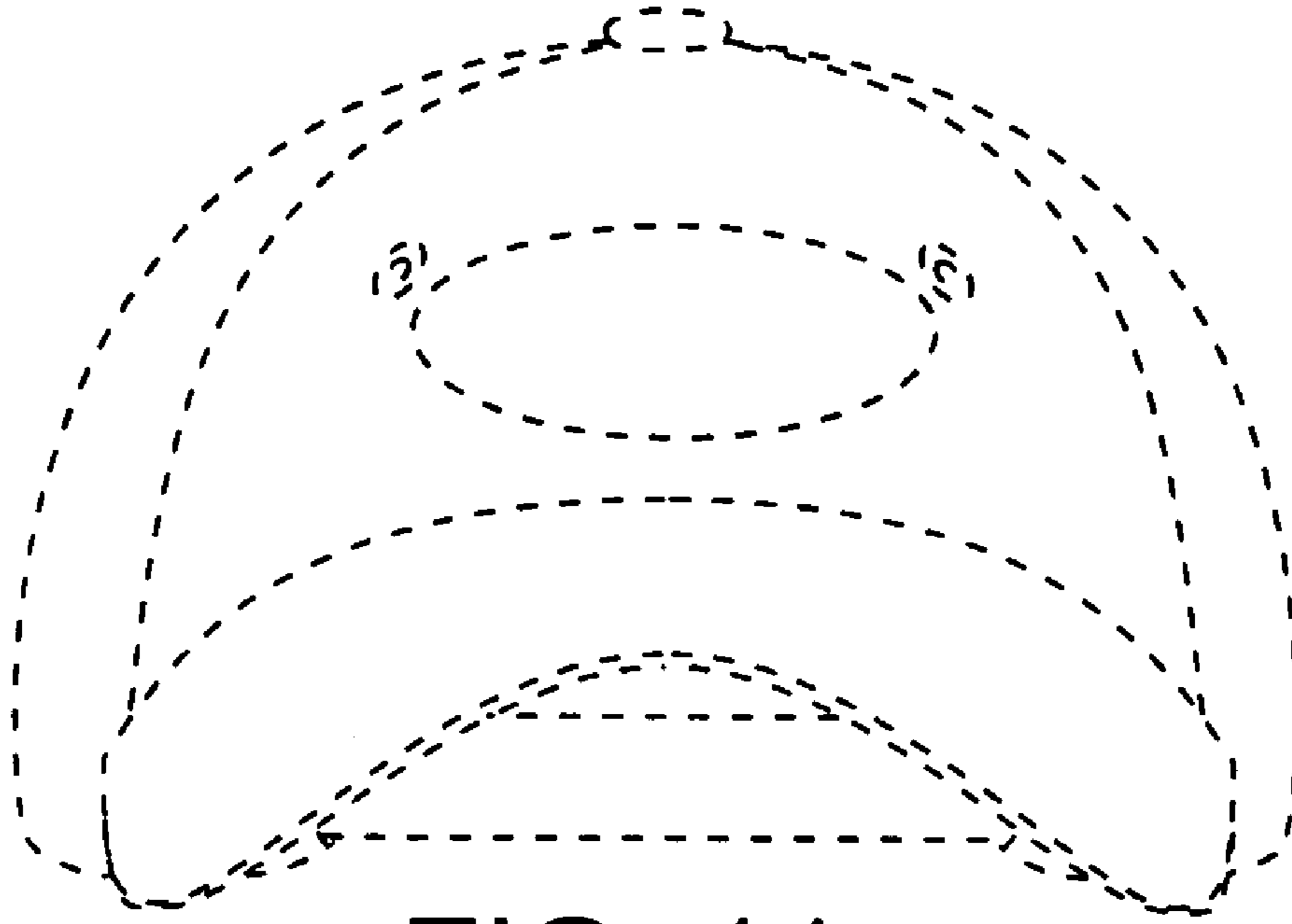


FIG. 11

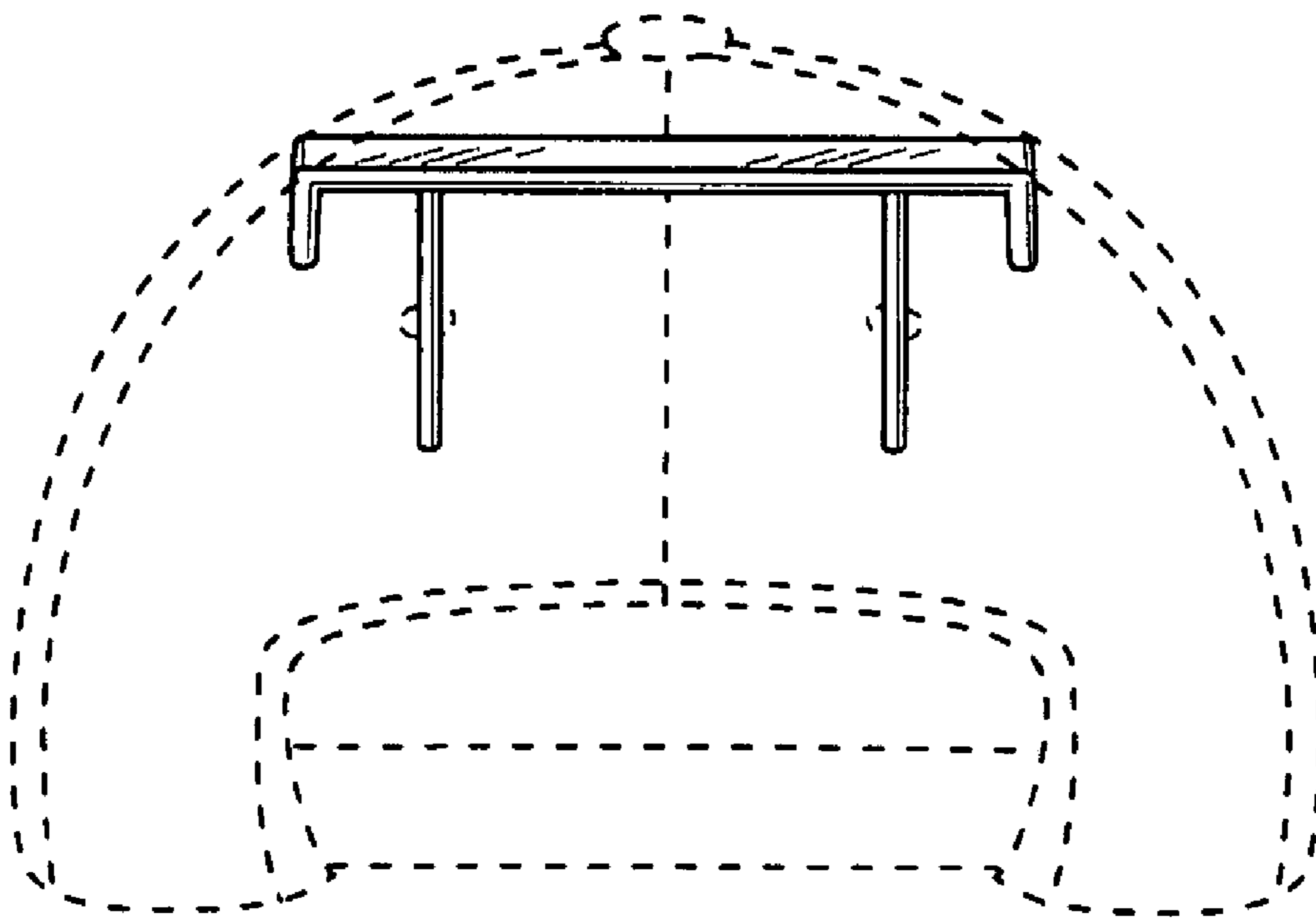


FIG. 12

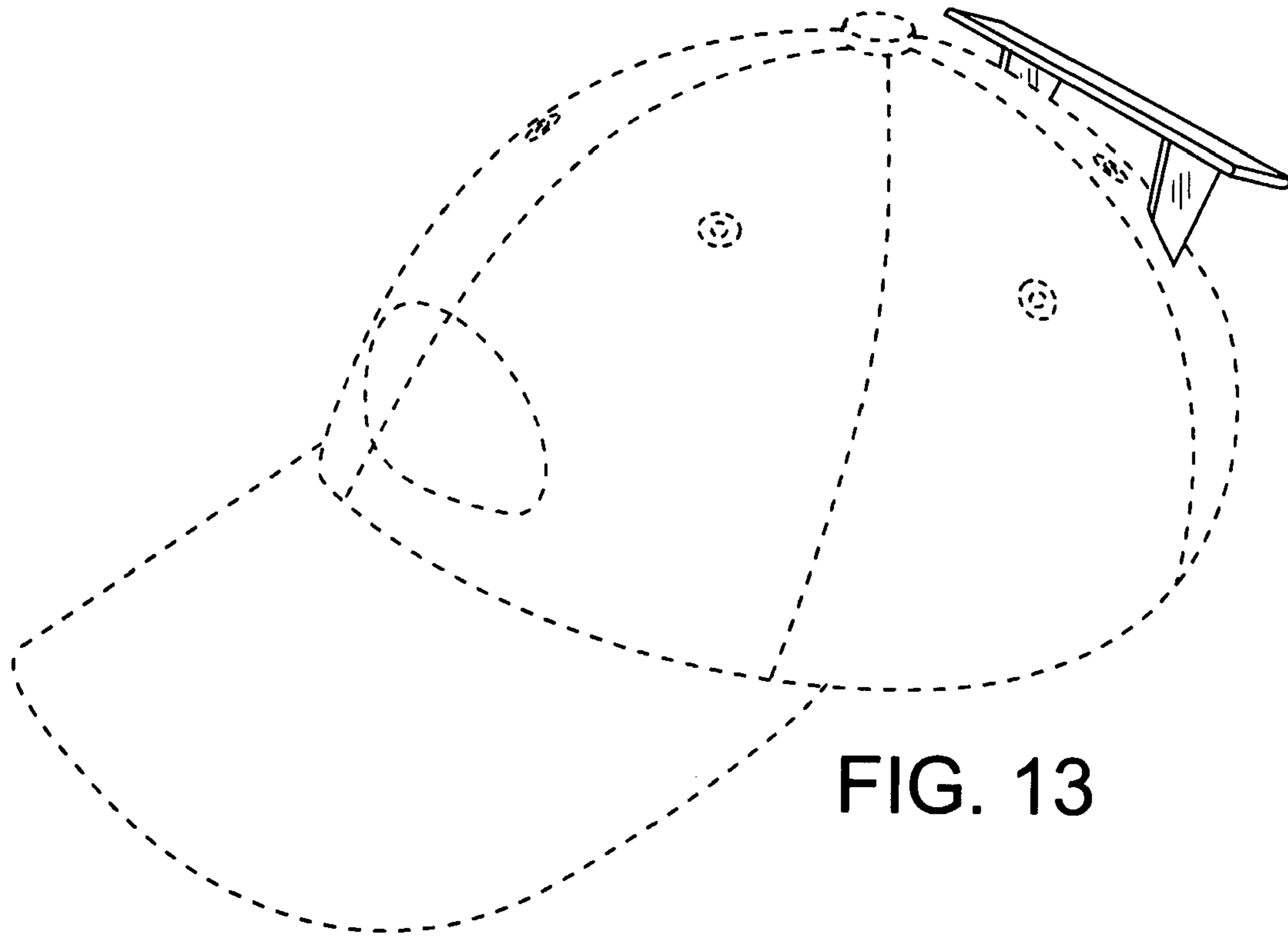


FIG. 13

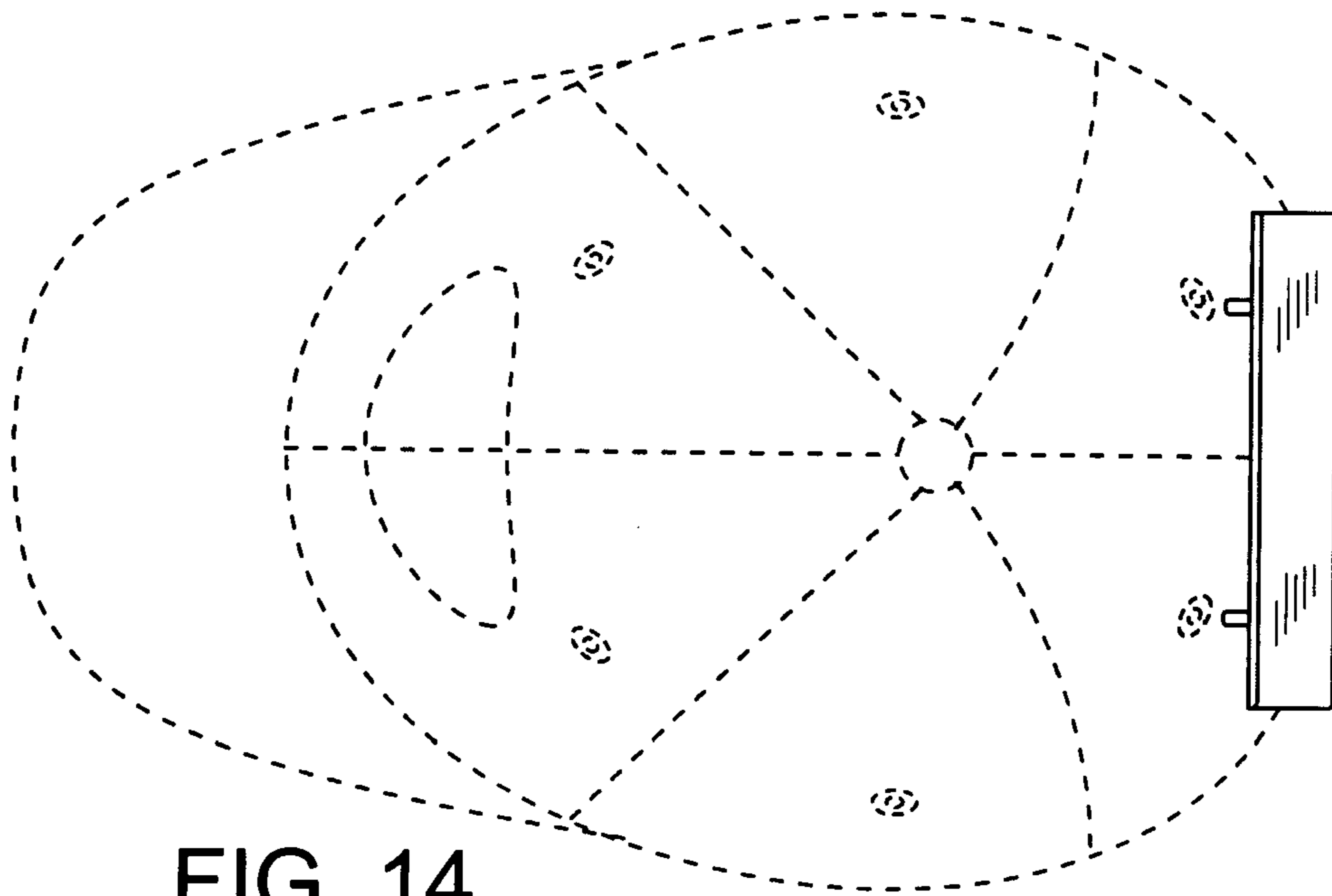


FIG. 14



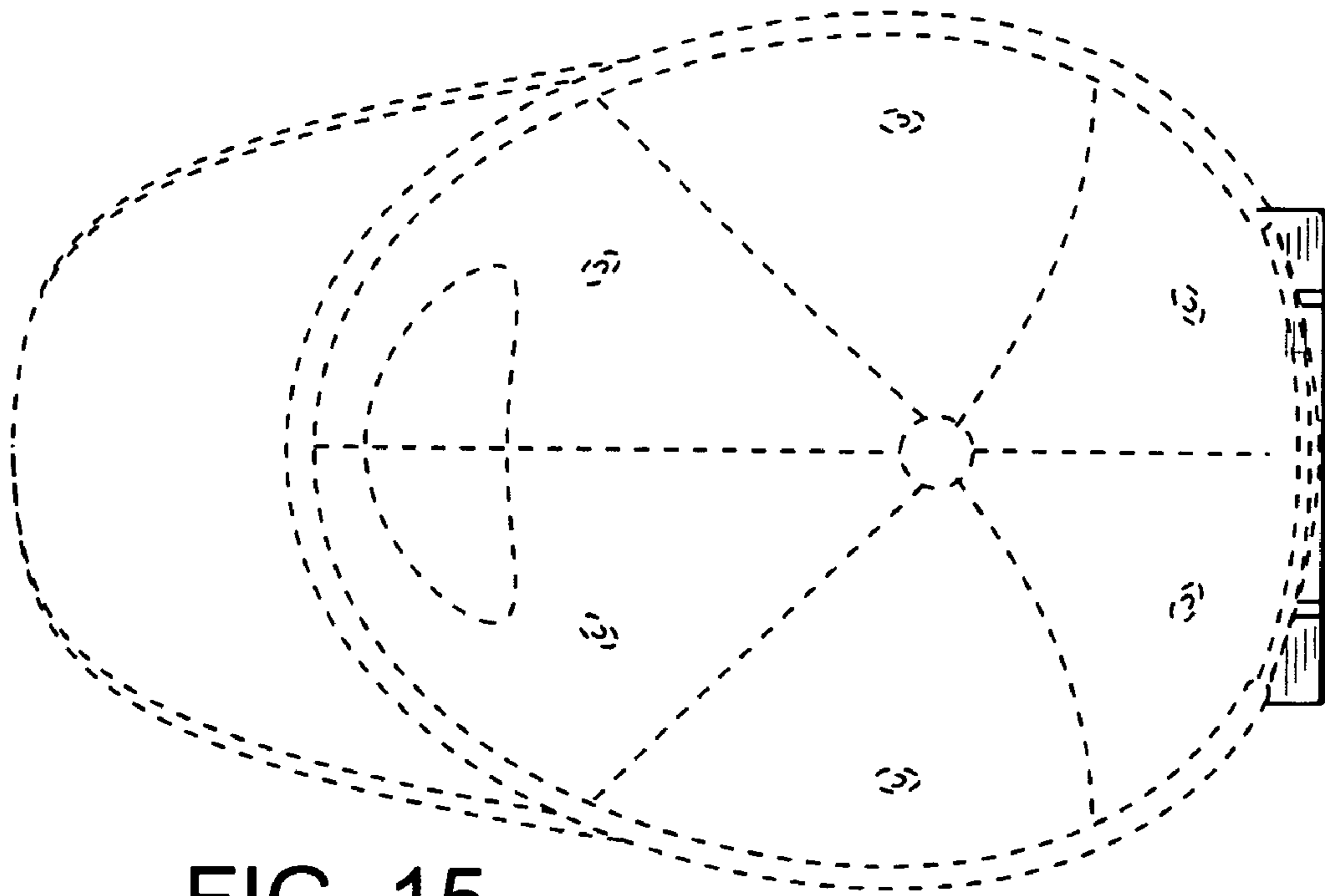


FIG. 15

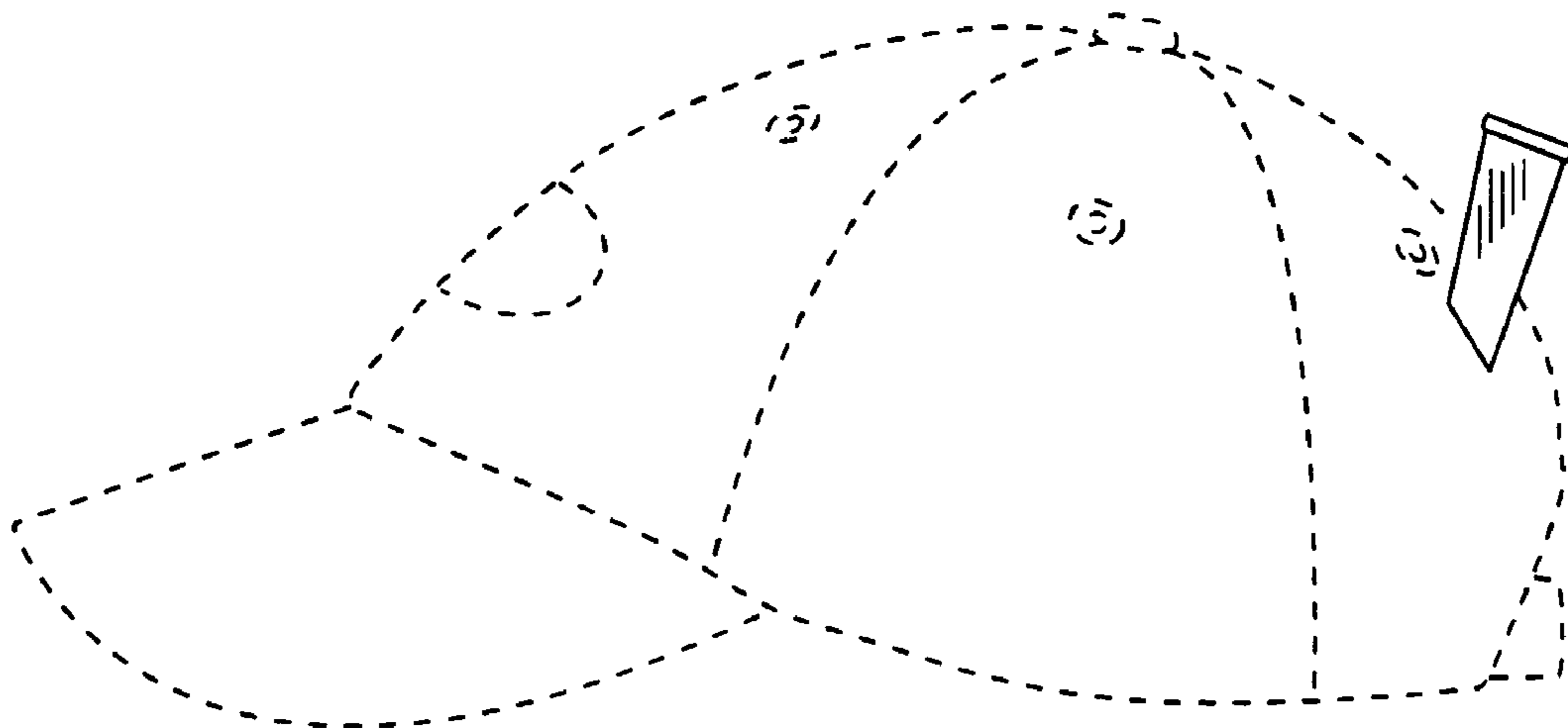


FIG. 16

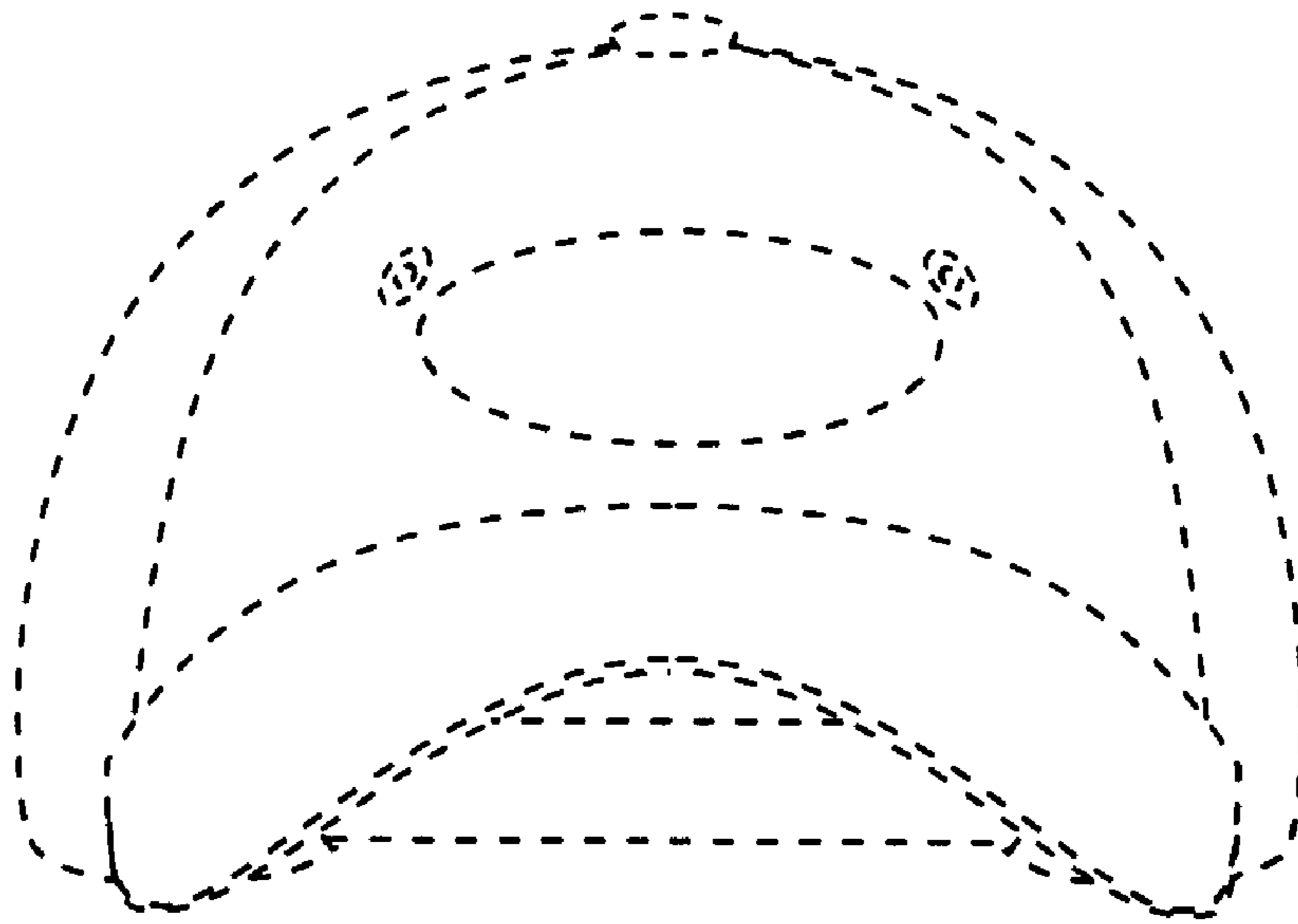


FIG. 17

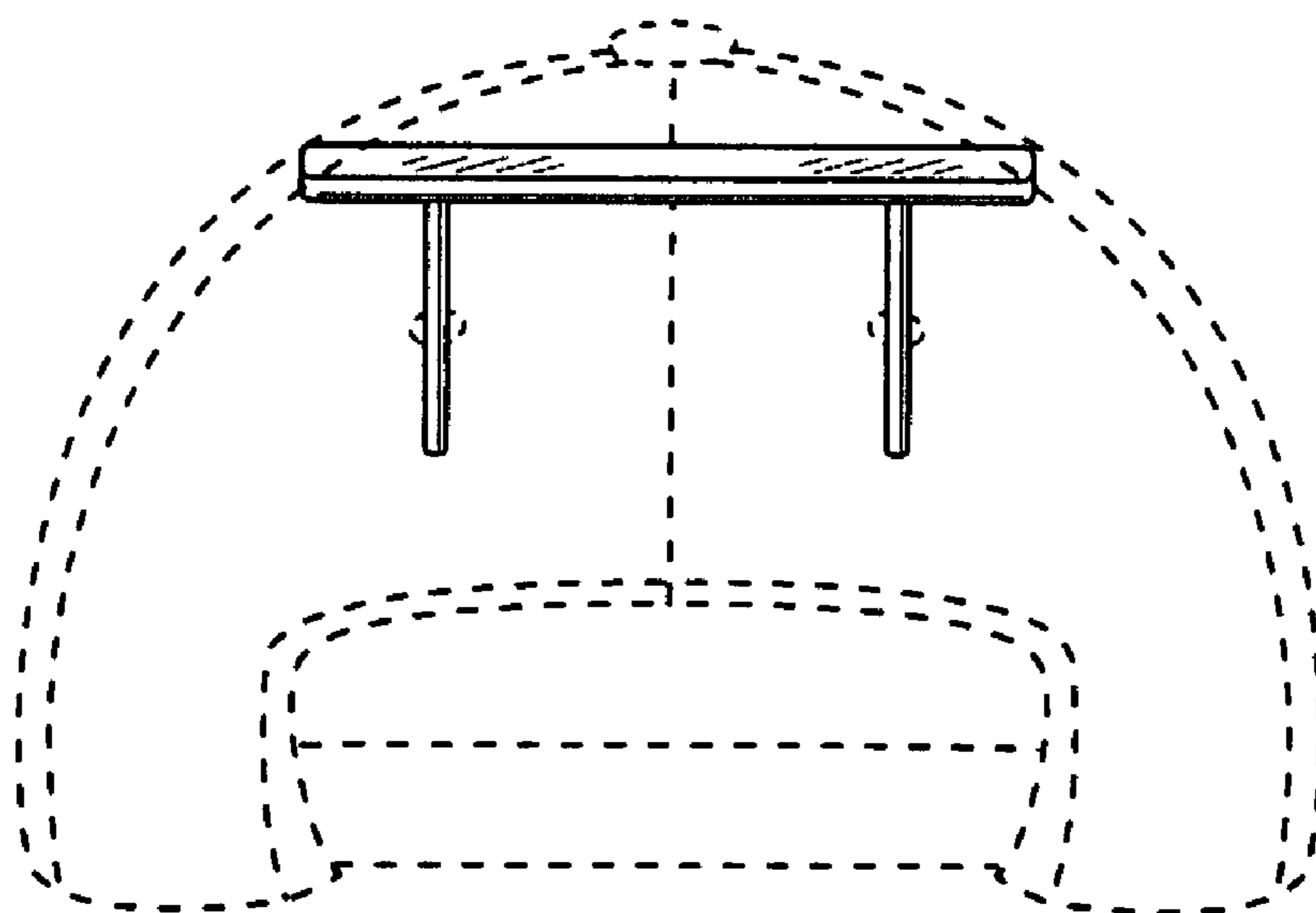


FIG. 18