

US00D556419S

(12) **United States Design Patent**
Whiteside et al.

(10) **Patent No.:** **US D556,419 S**

(45) **Date of Patent:** **** Nov. 27, 2007**

(54) **MECHANIC'S CREEPER**

(75) Inventors: **Kirt E. Whiteside**, Marion, OH (US);
Terry L. Whiteside, Delaware, OH
(US); **Kristin C. Mays**, Delaware, OH
(US); **David Curry**, Kenosha, WI (US)

(73) Assignee: **Whiteside Manufacturing, Co.**,
Delaware, OH (US)

(**) Term: **14 Years**

(21) Appl. No.: **29/268,023**

(22) Filed: **Oct. 27, 2006**

(51) **LOC (8) Cl.** **12-02**

(52) **U.S. Cl.** **D34/23**

(58) **Field of Classification Search** D34/12,
D34/23-27; 280/79.11, 32.5, 32.6

See application file for complete search history.

(56) **References Cited**

U.S. PATENT DOCUMENTS

5,174,592	A	12/1992	Pool	
5,330,209	A *	7/1994	Pool	280/32.6
D351,707	S *	10/1994	Pill	D34/23
5,413,544	A *	5/1995	Fiore	482/68
5,472,219	A *	12/1995	Eckstrum	280/32.6
5,527,051	A *	6/1996	Plaza	280/32.6
5,624,126	A *	4/1997	Vosbikian et al.	280/32.6
D396,920	S	8/1998	Whiteside et al.	
D398,433	S	9/1998	Whiteside et al.	
D401,029	S *	11/1998	Taylor	D34/23
D401,714	S	11/1998	Whiteside et al.	
D401,715	S	11/1998	Whiteside et al.	
D403,822	S	1/1999	Whiteside et al.	
D406,432	S *	3/1999	Taylor et al.	D34/23
D406,433	S *	3/1999	Taylor et al.	D34/23
D406,683	S *	3/1999	Taylor et al.	D34/23
D409,344	S	5/1999	Whiteside et al.	
D436,708	S	1/2001	Whiteside	
D458,432	S	6/2002	Whiteside et al.	
D460,237	S *	7/2002	Hart	D34/23
6,705,622	B2	3/2004	Whiteside	

6,966,564	B2 *	11/2005	Hernandez, Jr.	280/32.6
D521,206	S *	5/2006	Obbitts et al.	D34/23
D527,159	S *	8/2006	Staples	D34/23
D532,177	S *	11/2006	Hernandez	D34/23
2005/0023780	A1 *	2/2005	Liu	280/32.6

OTHER PUBLICATIONS

Cover only Catalog 43 of Whiteside Mfg. Co., Delaware, Ohio.
Pages 44-45 of a catalog of Lisle Corp., Clarinda, Iowa.
Page 179 of a catalog showing MAC Tools Creepers.

* cited by examiner

Primary Examiner—Cynthia E. Ramirez

(74) *Attorney, Agent, or Firm*—Renner, Kenner, Greive,
Bobak, Taylor & Weber

(57) **CLAIM**

The ornamental design for a mechanic's creeper, as shown
and described.

DESCRIPTION

FIG. 1 is a front, top, right side perspective view of a
mechanic's creeper showing our new design;

FIG. 2 is a top plan view thereof;

FIG. 3 is a right side elevational view thereof, the left side
being a mirror image of FIG. 3;

FIG. 4 is a bottom plan view thereof;

FIG. 5 is a front elevational view thereof; and

FIG. 6 is a rear elevational view thereof.

FIG. 7 is a front, top, right side perspective view of a
mechanic's creeper showing another embodiment of our
new design;

FIG. 8 is a top plan view thereof;

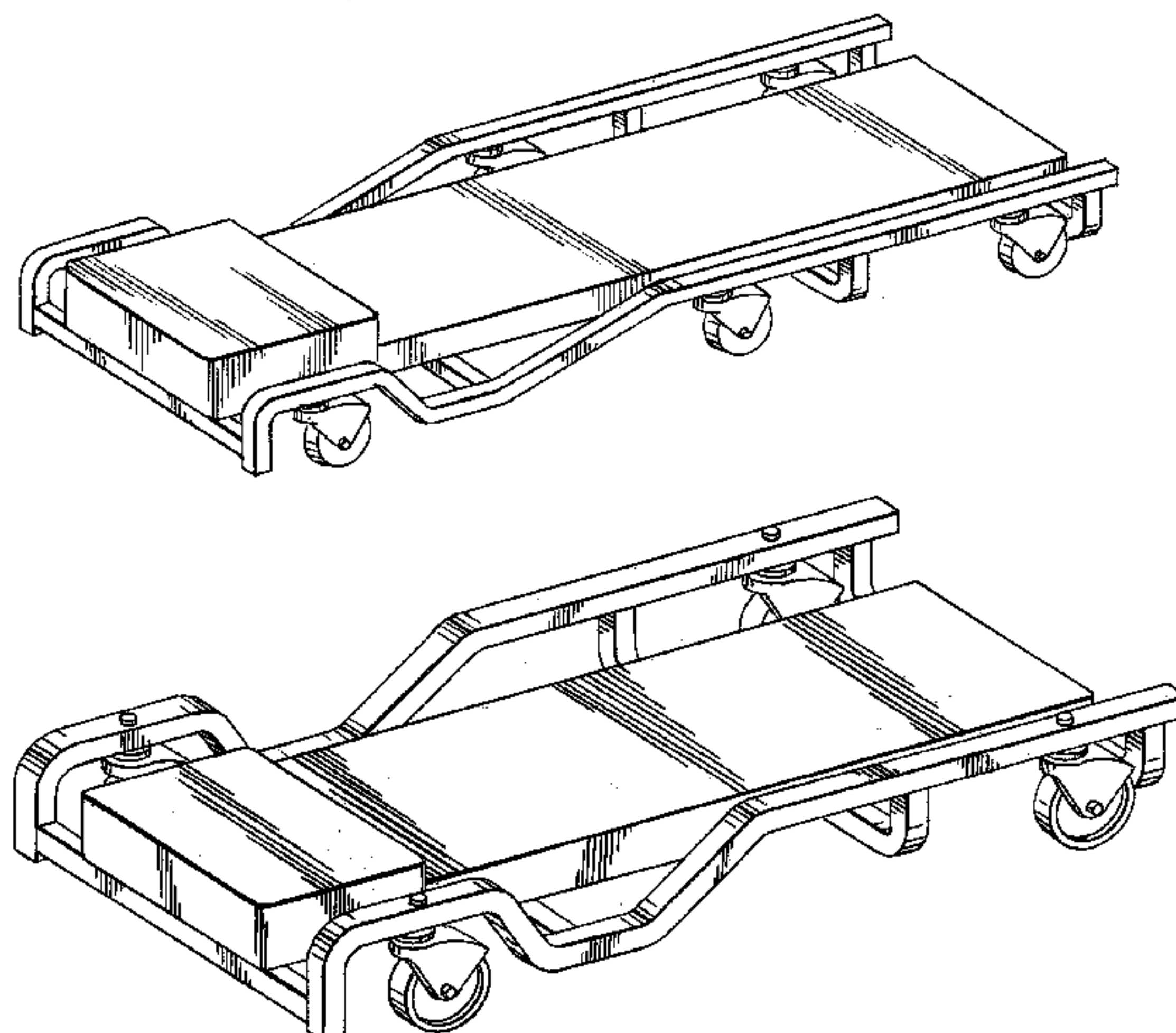
FIG. 9 is a right side elevational view thereof, the left side
being a mirror image of FIG. 9;

FIG. 10 is a bottom plan view thereof;

FIG. 11 is a front elevational view thereof; and,

FIG. 12 is a rear elevational view thereof.

1 Claim, 8 Drawing Sheets



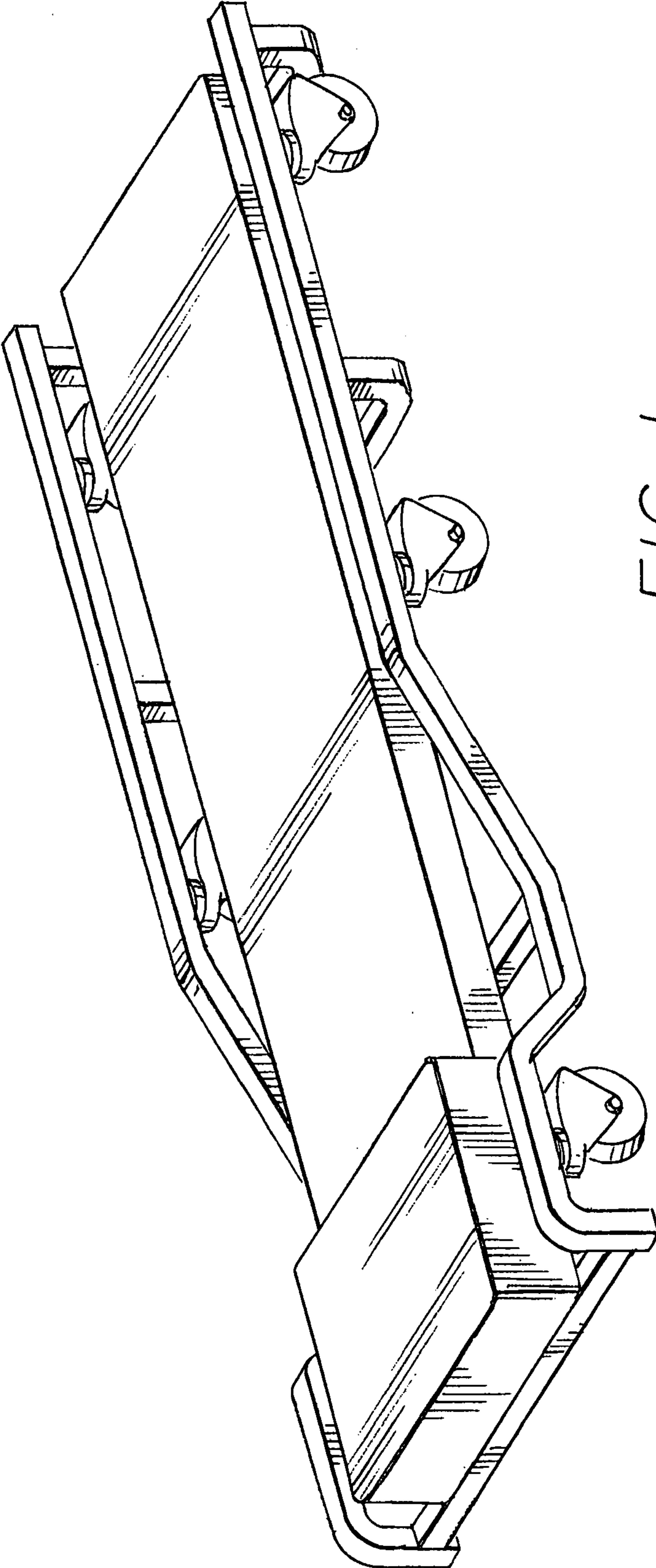


FIG. 1

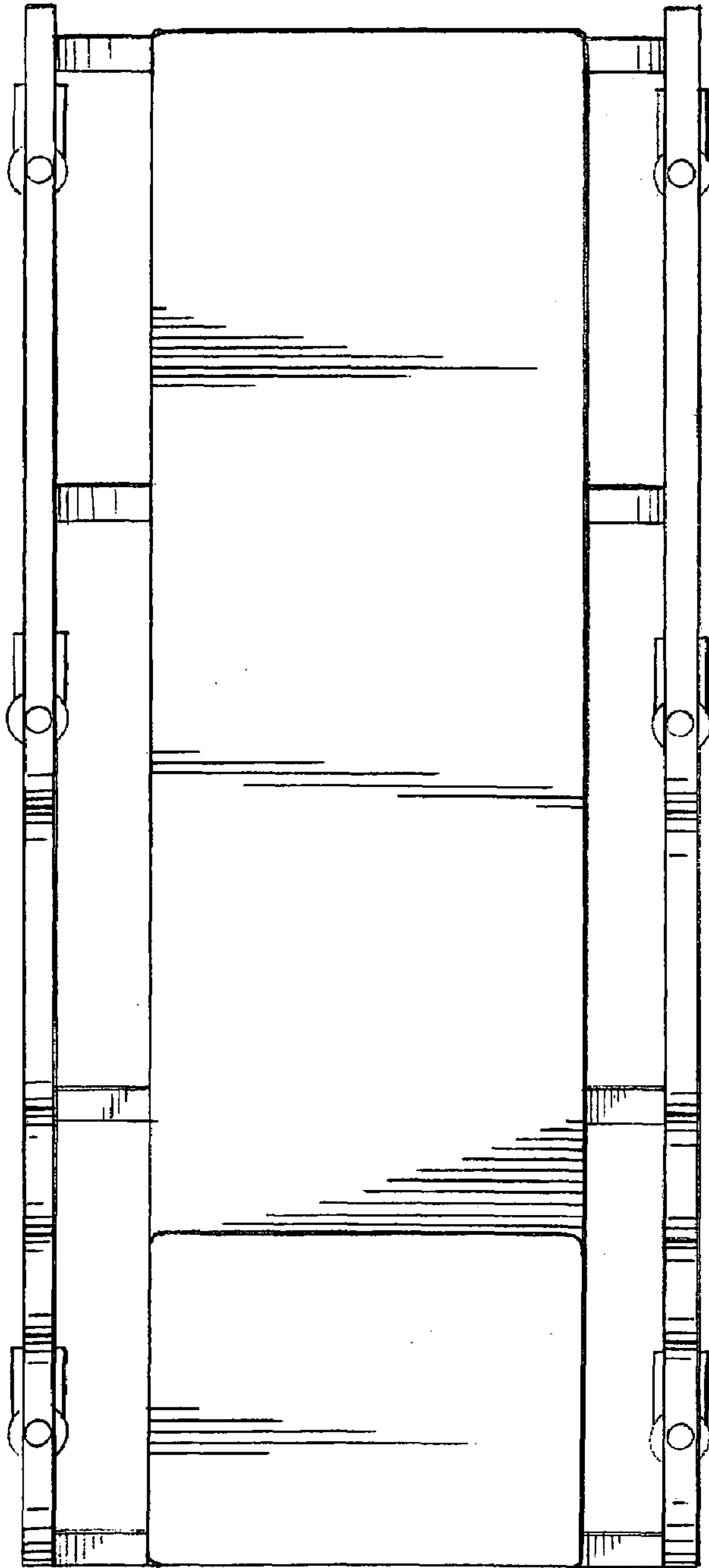


FIG. 2

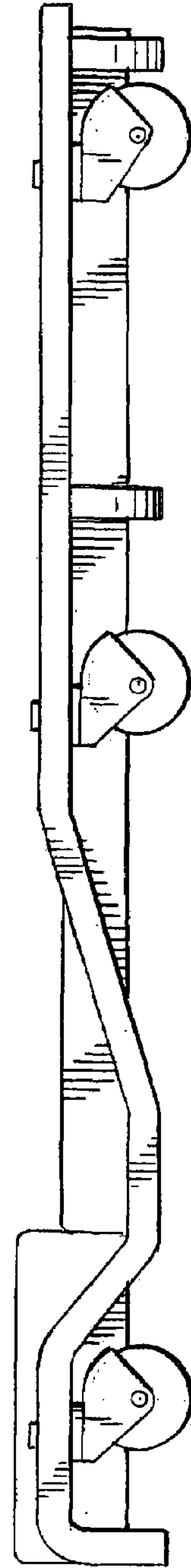


FIG. 3

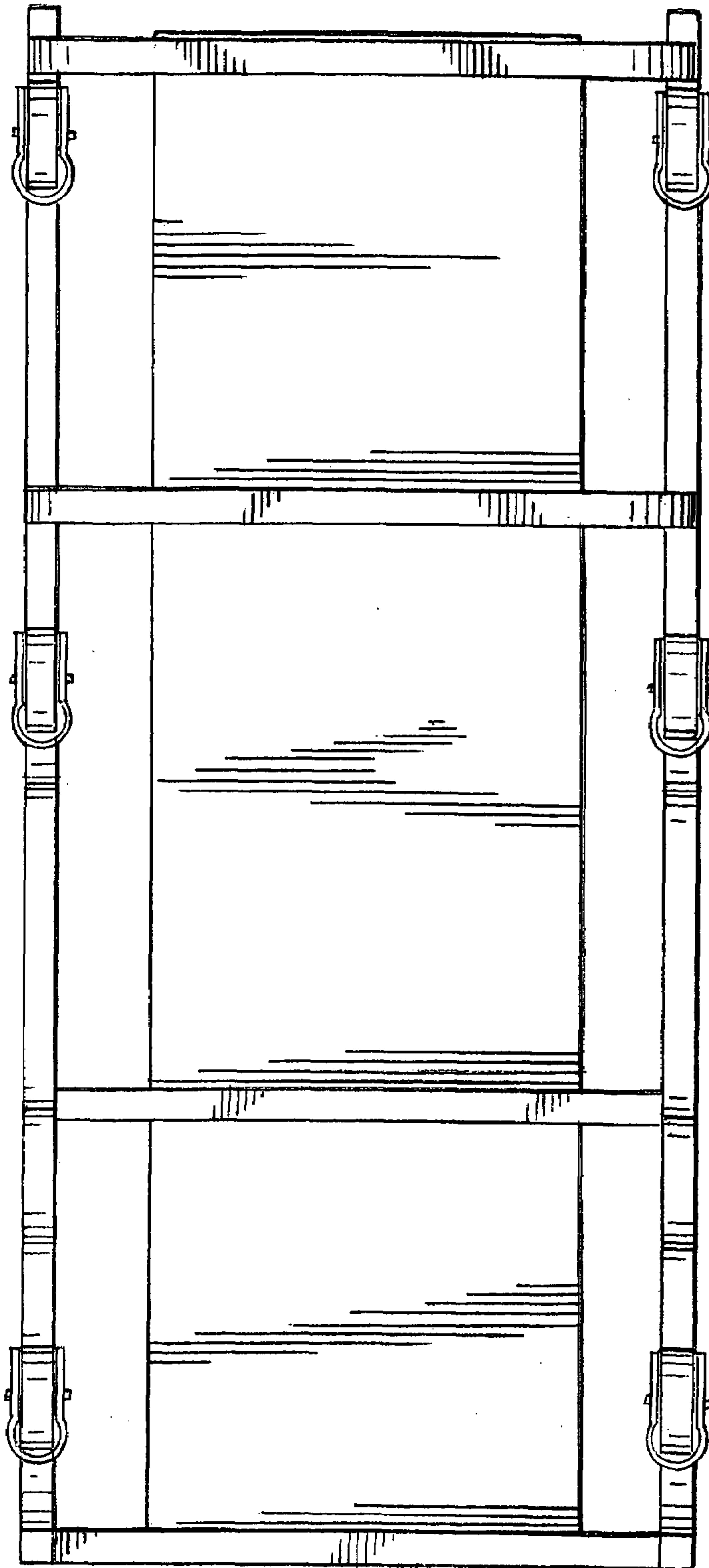


FIG. 4

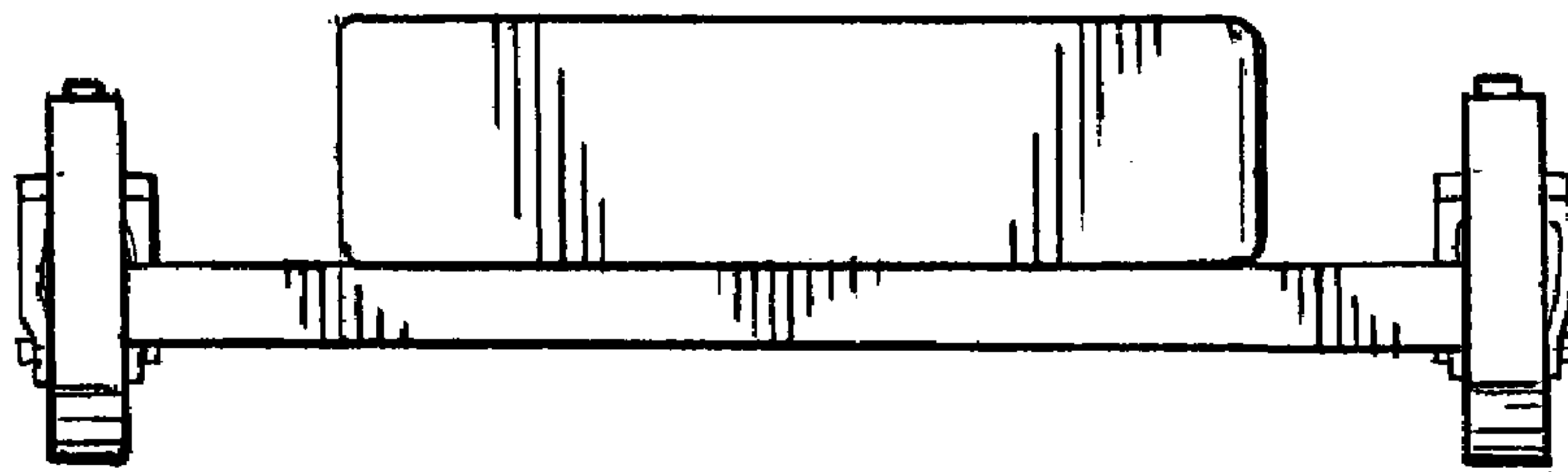


FIG. 5

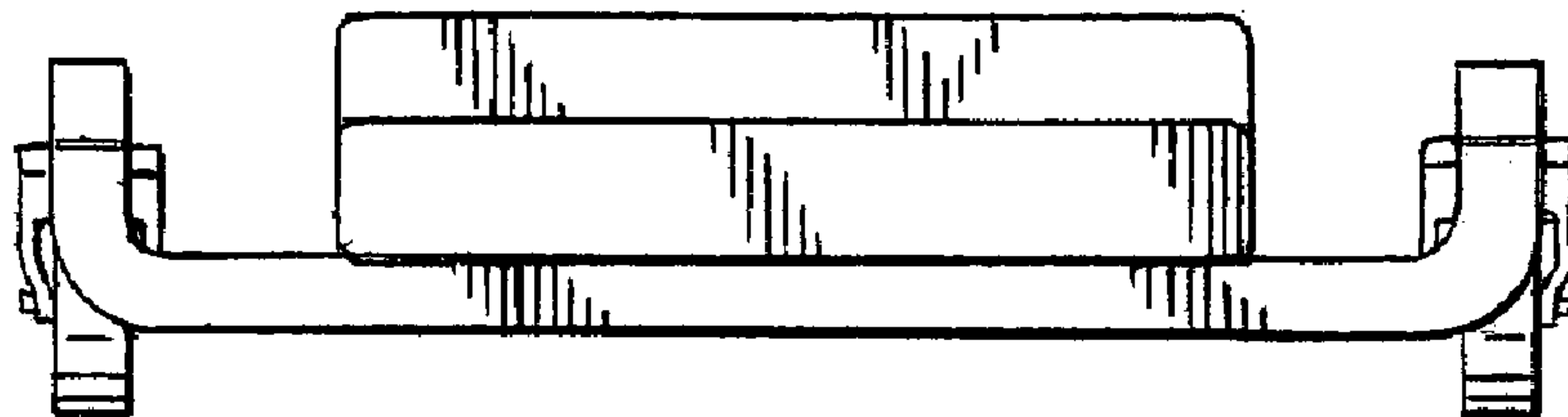


FIG. 6

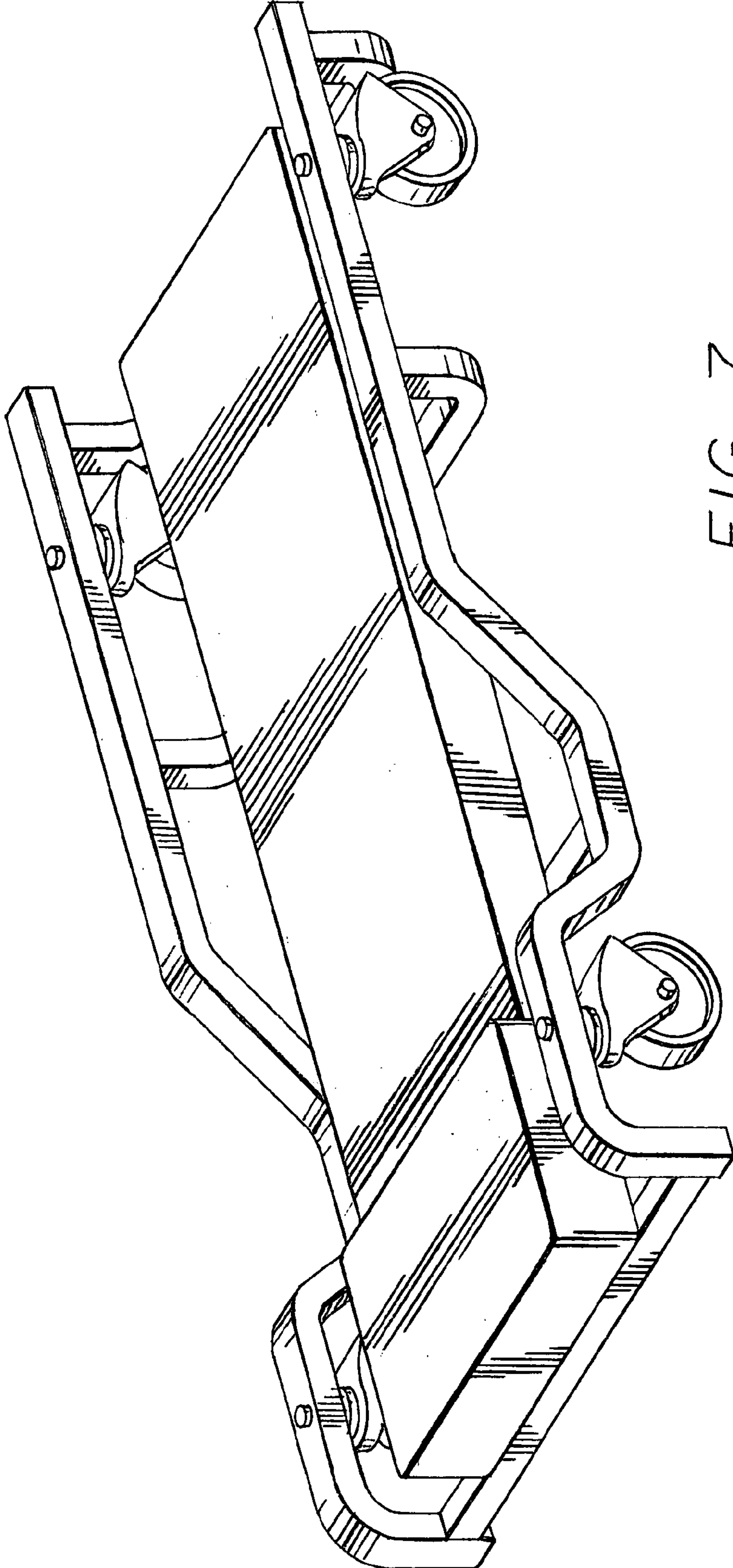


FIG. 7

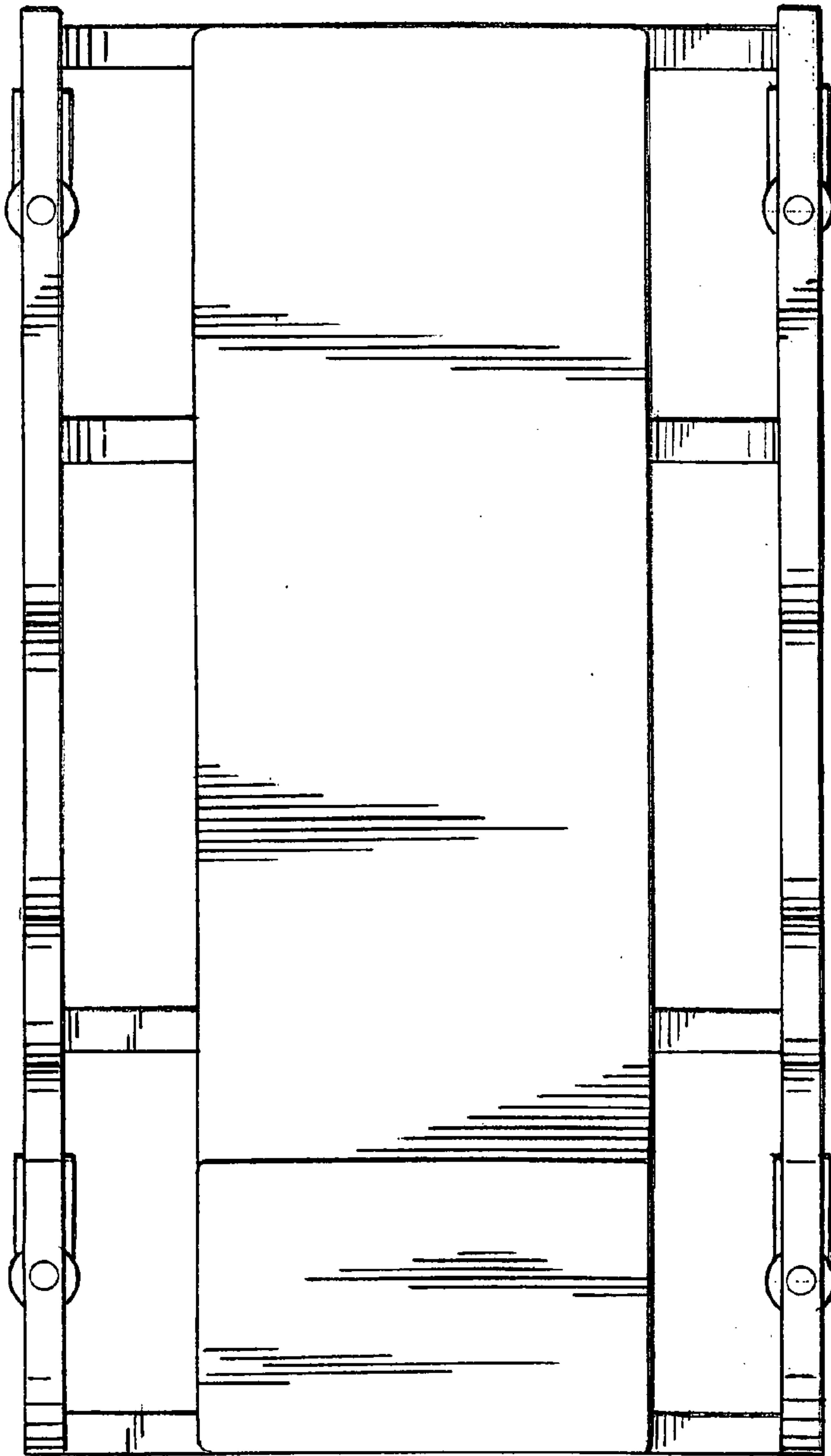


FIG. 8

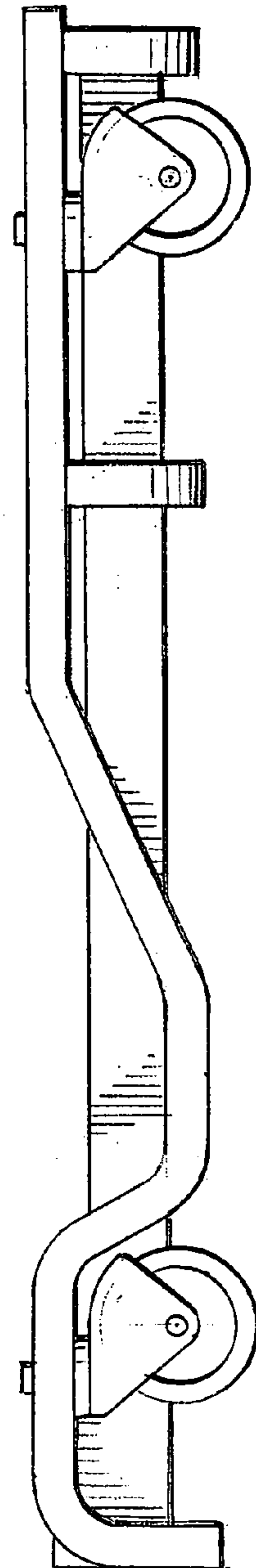


FIG. 9

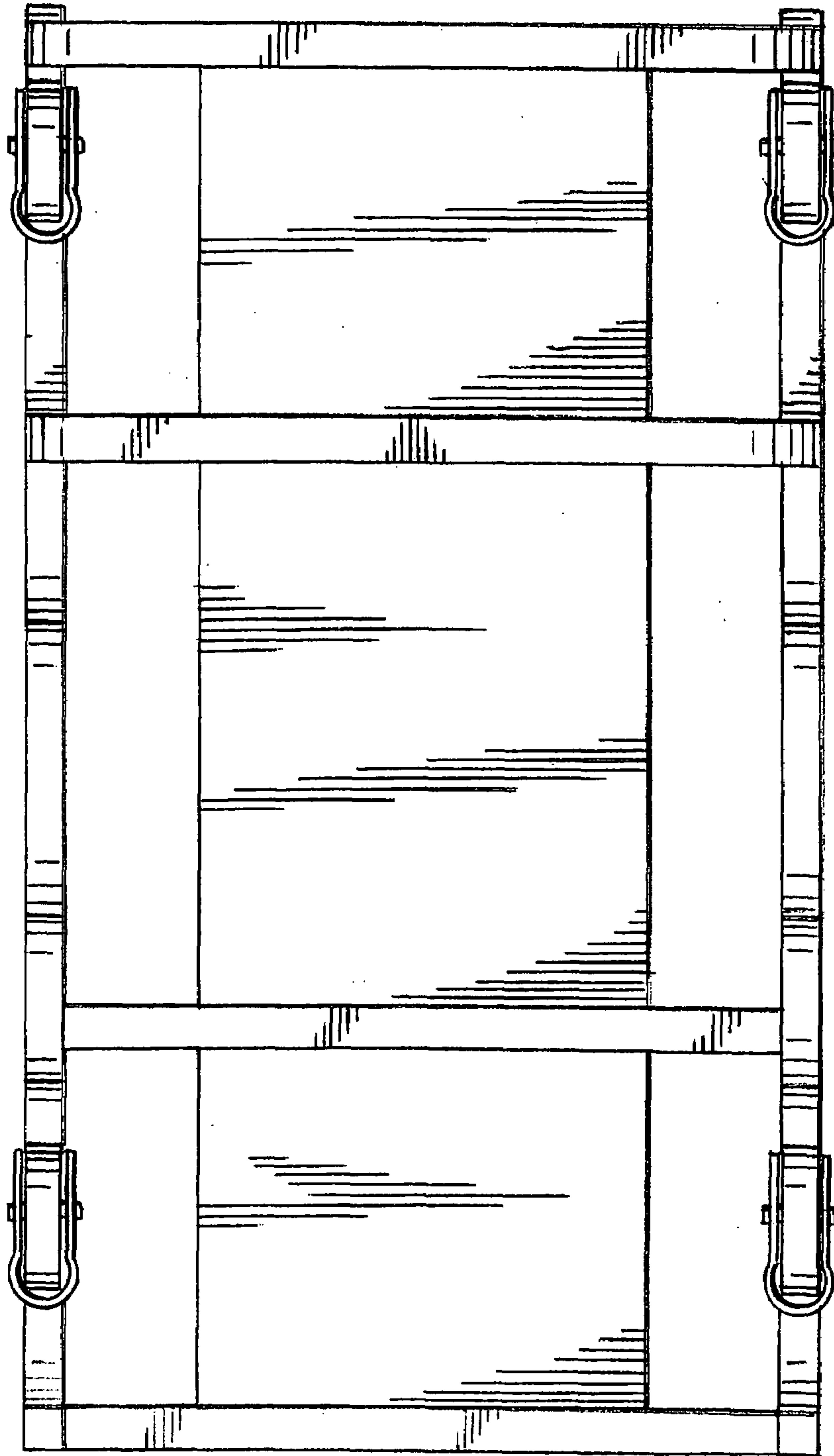


FIG. 10

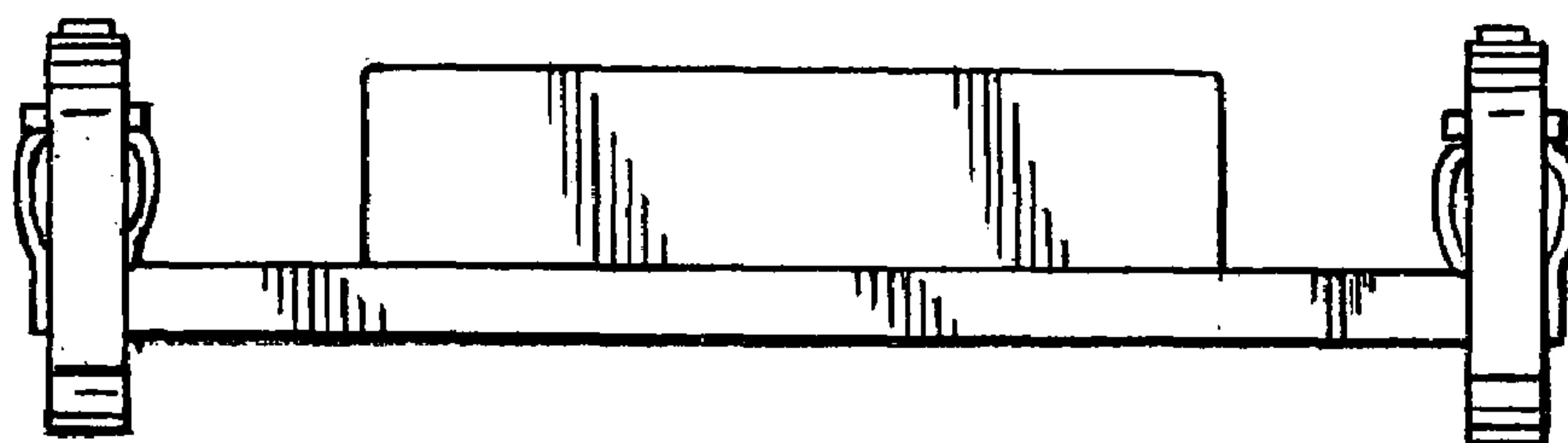


FIG. 11

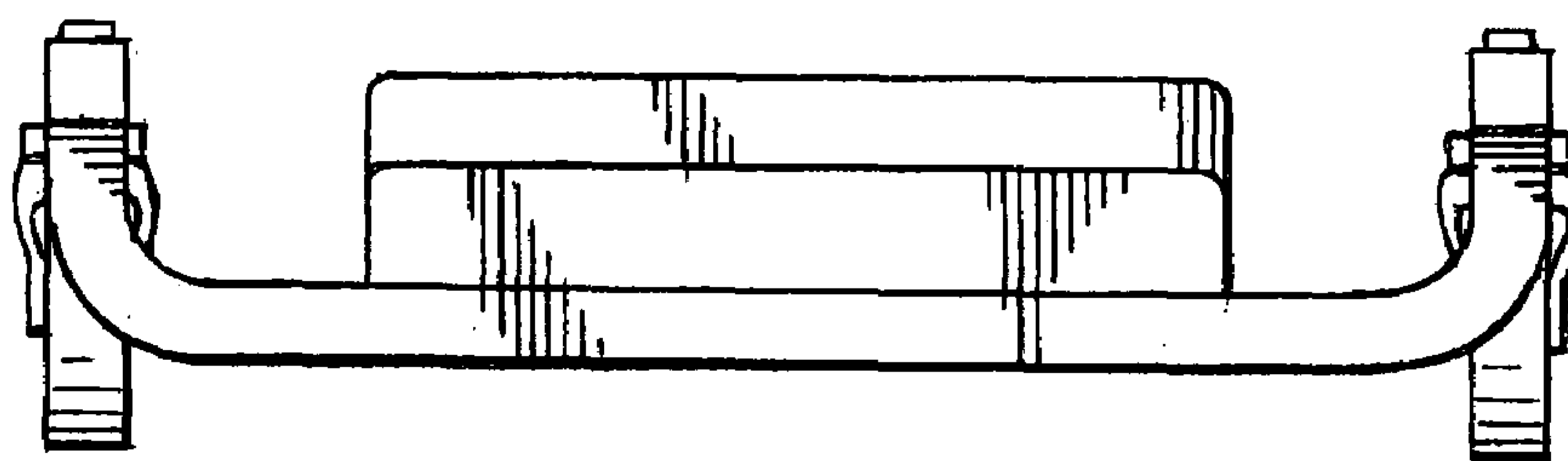


FIG. 12