



US00D556418S

(12) **United States Design Patent**
Zorzo

(10) **Patent No.:** **US D556,418 S**

(45) **Date of Patent:** **** Nov. 27, 2007**

(54) **CLEANING TROLLEY**

2003/0122331 A1* 7/2003 DiGiacomo et al. 280/47.35

(75) Inventor: **Bruno Zorzo**, Villa del Conte (IT)

* cited by examiner

(73) Assignee: **Filmop s.r.l.**, Villa del Conte (IT)

Primary Examiner—Cynthia E. Ramirez

(74) *Attorney, Agent, or Firm*—Thomas S. Baker, Jr.

(**) Term: **14 Years**

(21) Appl. No.: **29/268,440**

(22) Filed: **Nov. 7, 2006**

(57) **CLAIM**

The ornamental design for cleaning trolley, as shown and described.

(30) **Foreign Application Priority Data**

DESCRIPTION

May 10, 2006 (EM) 000526884-0009

(51) **LOC (8) Cl.** **12-02**

(52) **U.S. Cl.** **D34/21**

(58) **Field of Classification Search** D34/21,
D34/17-27; 280/79.11, 79.2, 79.3, 47.35,
280/47.34, 47.19; D6/478, 479, 481, 484,
D6/487; 296/22; 312/249.8

See application file for complete search history.

FIG. 1 is a right side perspective view of the cleaning trolley showing my new design;

FIG. 2 is a left side perspective view of the cleaning trolley showing my new design;

FIG. 3 is a right side perspective view of the cleaning trolley showing my new design;

FIG. 4 is a front view of the cleaning trolley showing my new design;

FIG. 5 is a rear view of the cleaning trolley showing my new design;

FIG. 6 is a left side view of the cleaning trolley showing my new design; and,

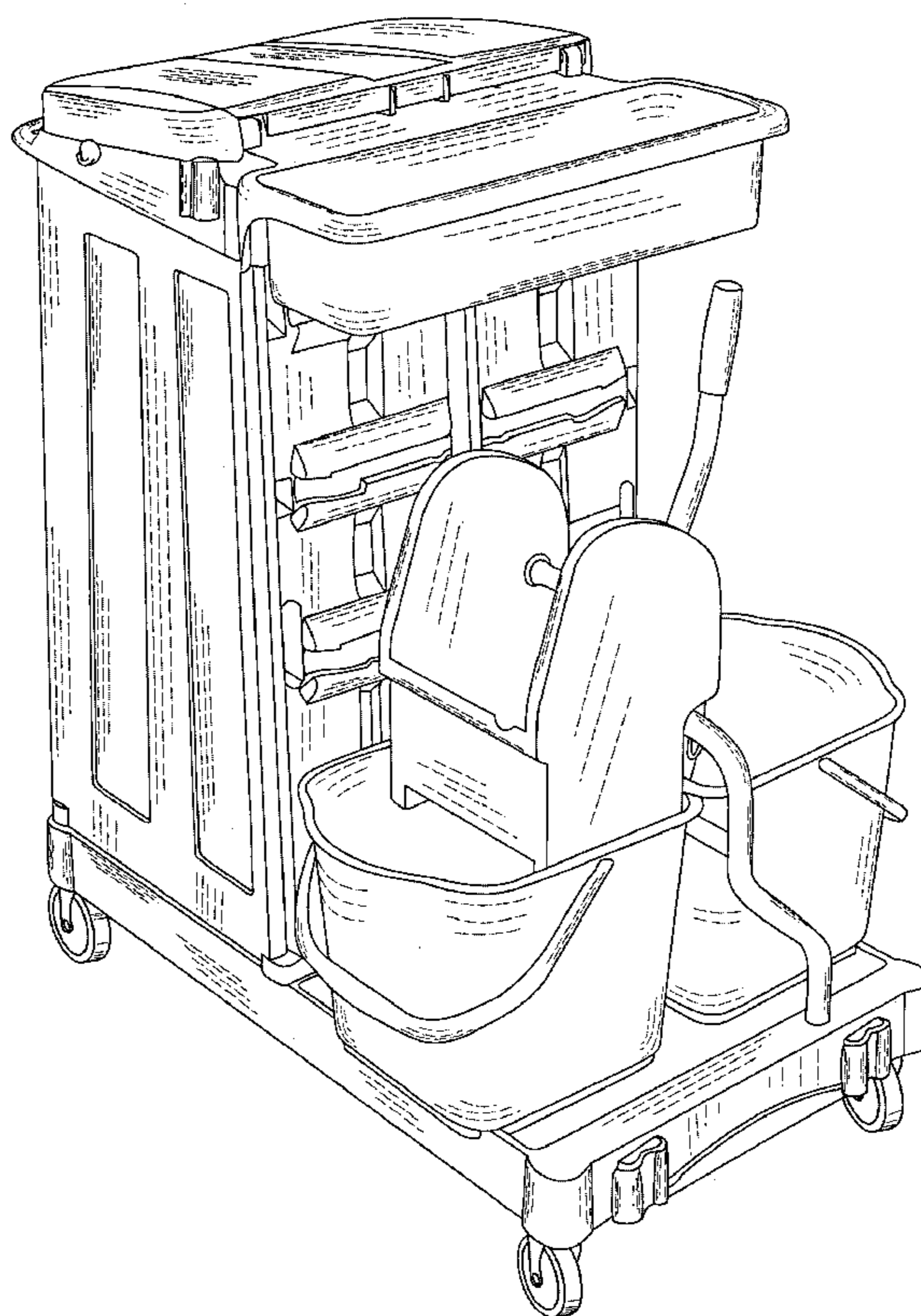
FIG. 7 is a right side view of the cleaning trolley showing my new design.

(56) **References Cited**

U.S. PATENT DOCUMENTS

- 5,326,117 A * 7/1994 Cook 280/79.2
- 6,497,423 B1 * 12/2002 Perelli et al. 280/47.34
- D474,570 S * 5/2003 Presnell et al. D34/21
- D485,037 S * 1/2004 Presnell et al. D34/21
- D533,705 S * 12/2006 Bertucci et al. D34/14
- D538,997 S * 3/2007 Schlembach D34/12

1 Claim, 7 Drawing Sheets



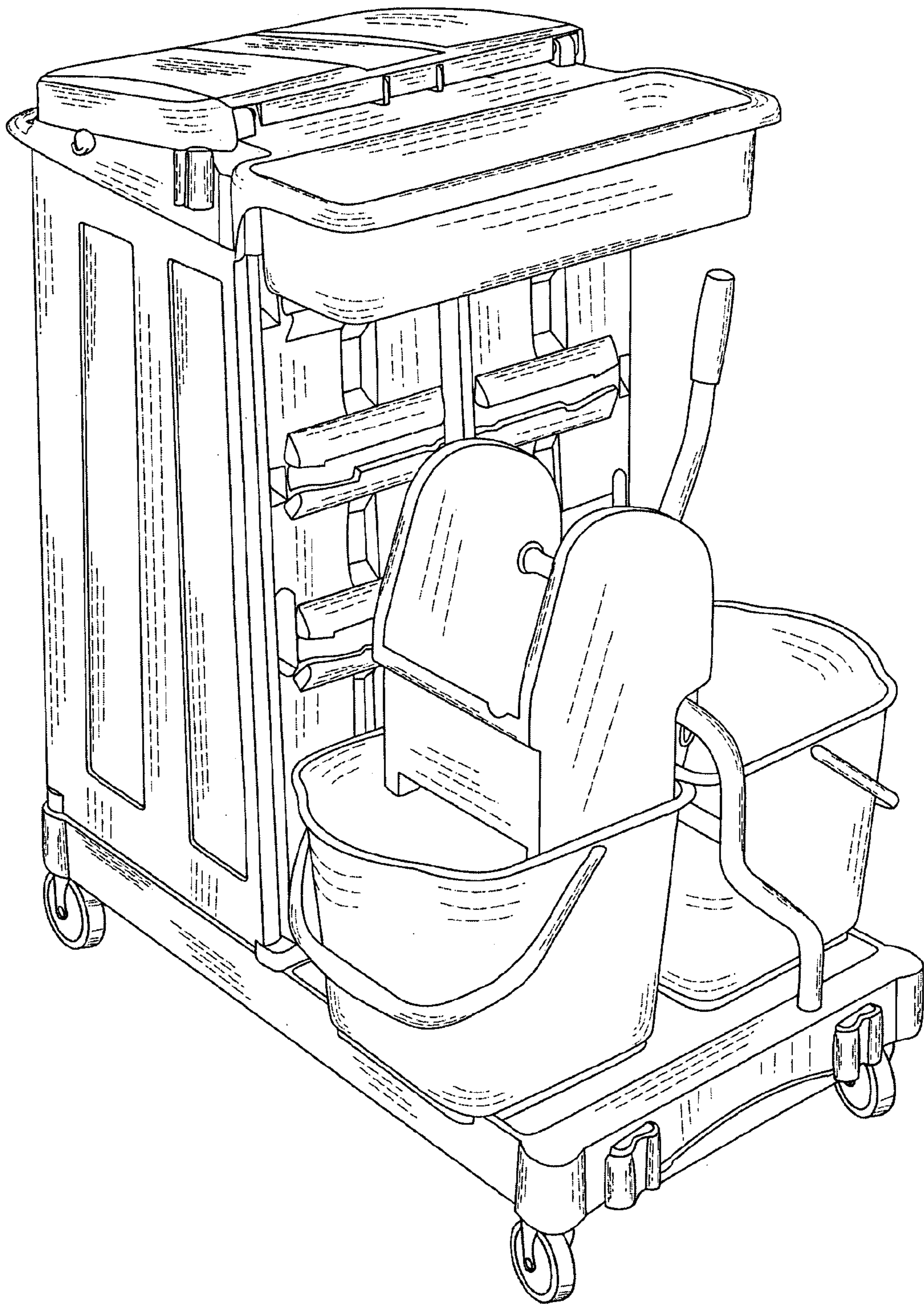


Fig. 1

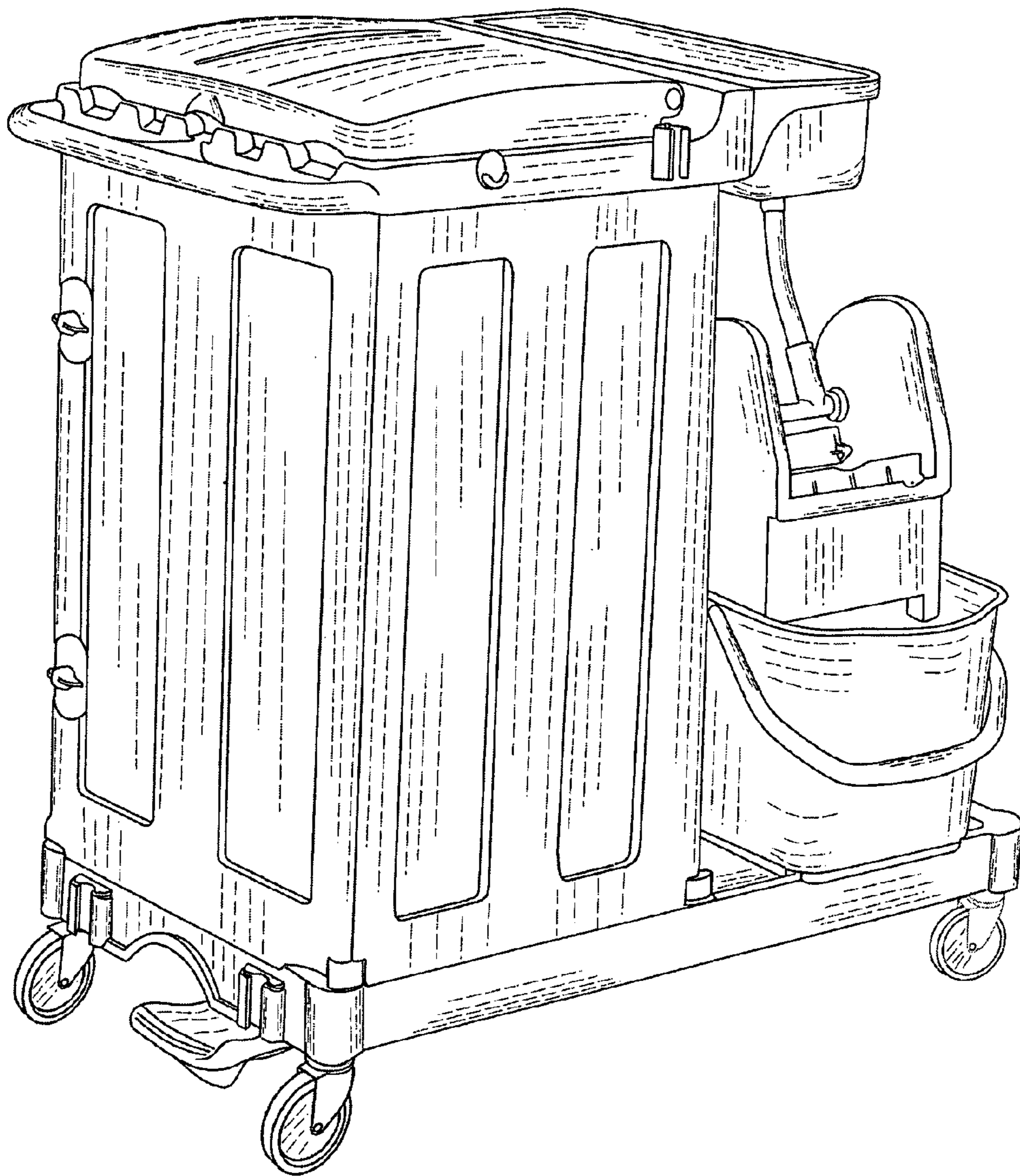


Fig. 2

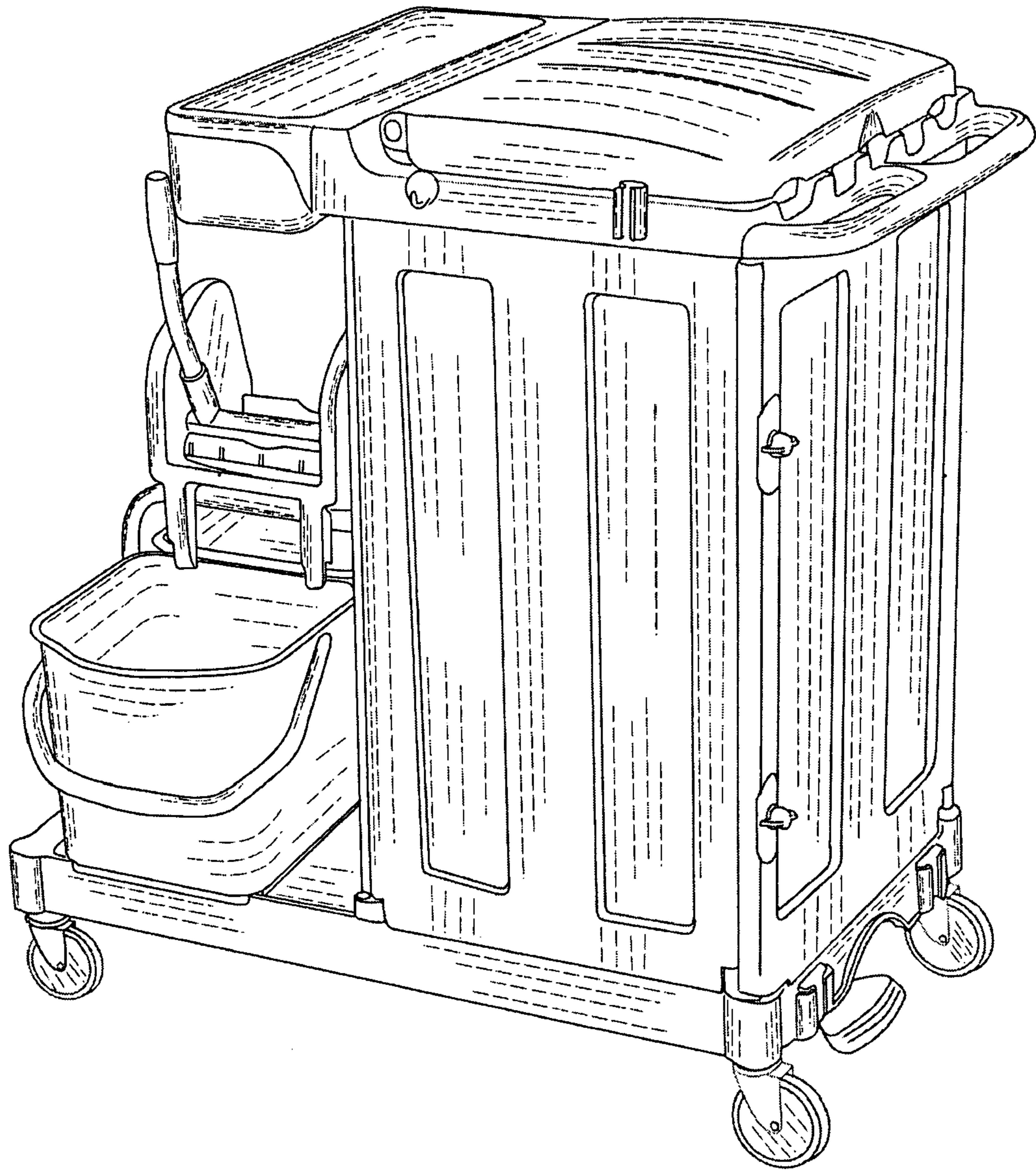


Fig. 3

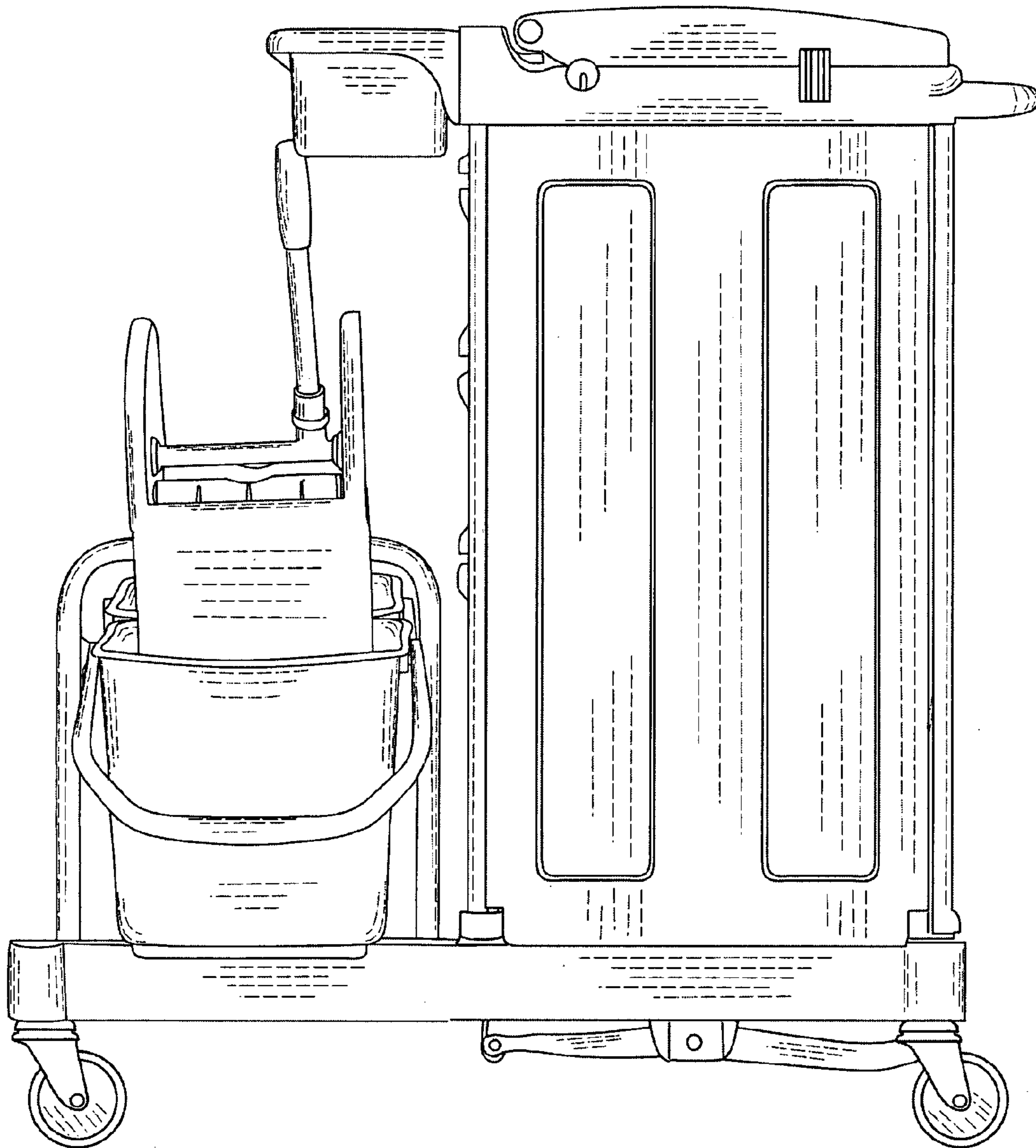


Fig. 4

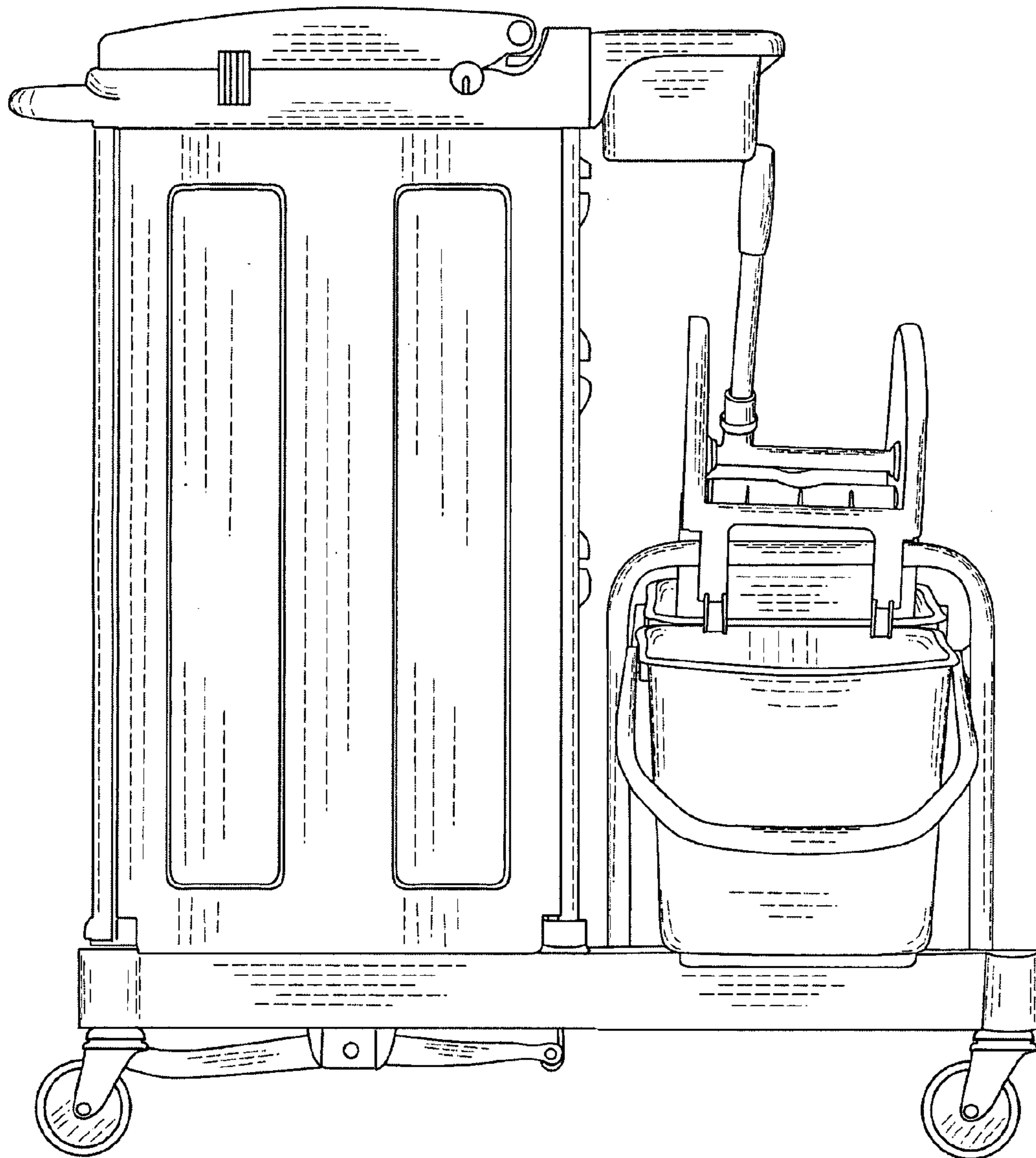


Fig. 5

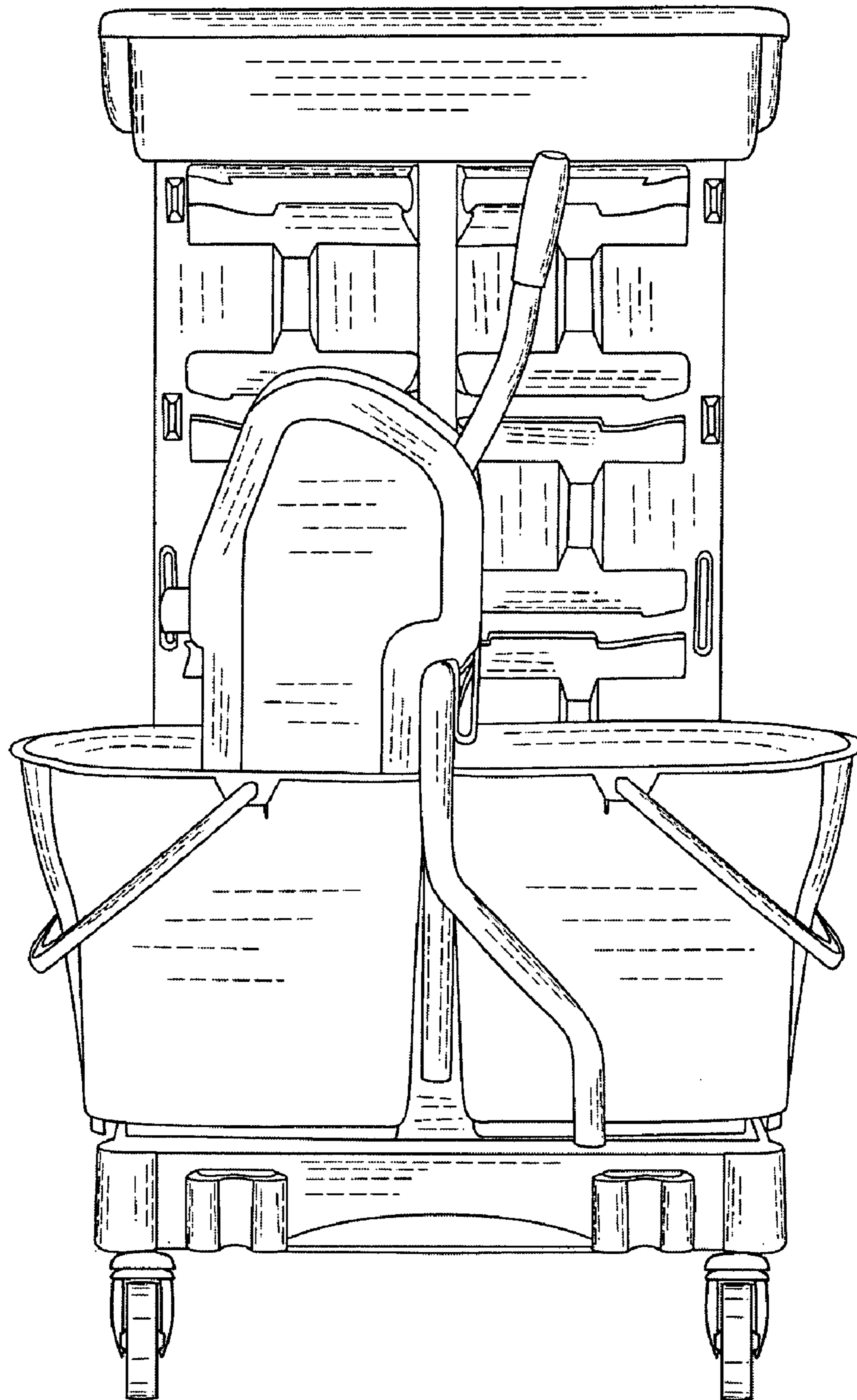


Fig. 6

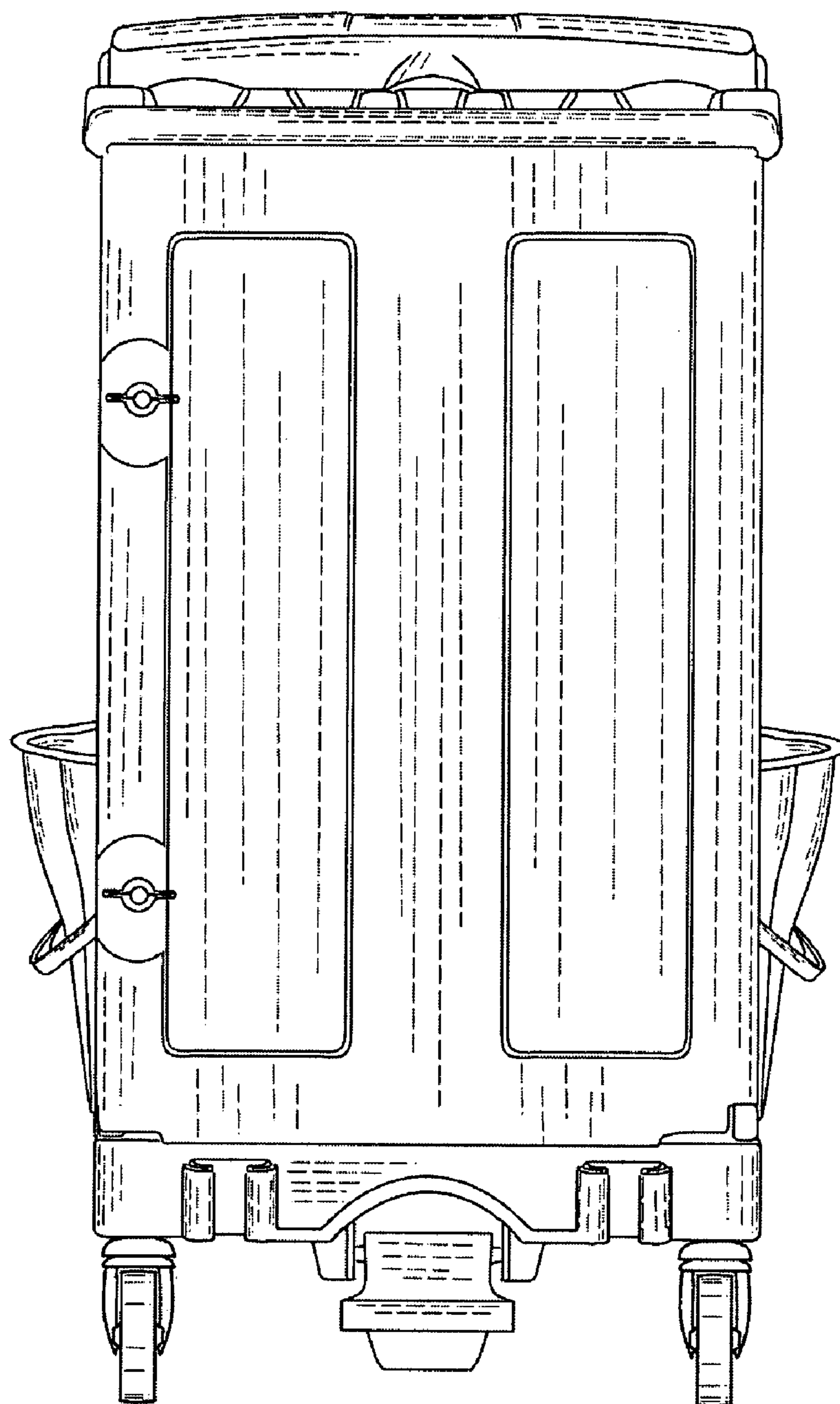


Fig. 7