



US00D556417S

(12) **United States Design Patent**
Zorzo

(10) **Patent No.:** **US D556,417 S**

(45) **Date of Patent:** **** Nov. 27, 2007**

(54) **CLEANING TROLLEY**

(75) Inventor: **Bruno Zorzo**, Villa del Conte (IT)

(73) Assignee: **FILMOP s.r.l.**, Villa del Conte (PD)
(IT)

(**) Term: **14 Years**

(21) Appl. No.: **29/268,434**

(22) Filed: **Nov. 7, 2006**

(30) **Foreign Application Priority Data**

May 10, 2006 (EM) 000526884-0001

(51) **LOC (8) Cl.** **12-02**

(52) **U.S. Cl.** **D34/21; D34/14**

(58) **Field of Classification Search** D34/12-27;
280/47.34, 47.35, 79.2, 79.3, 47.26, 79.5;
D6/477, 479; 220/676

See application file for complete search history.

(56) **References Cited**

U.S. PATENT DOCUMENTS

3,214,120	A *	10/1965	McKee	248/129
D273,242	S *	3/1984	Maza et al.	D34/21
4,743,040	A *	5/1988	Breveglieri et al.	280/47.35
D302,064	S *	7/1989	Delmerico	D34/20
4,923,202	A *	5/1990	Breveglieri et al.	280/47.35
D323,051	S *	1/1992	Baggott	D34/19

5,326,117	A *	7/1994	Cook	280/79.2
D425,279	S *	5/2000	Houry et al.	D34/20
6,497,423	B1 *	12/2002	Perelli et al.	280/47.34
D485,037	S *	1/2004	Presnell et al.	D34/21
D487,604	S *	3/2004	Van Landingham, Jr.	D34/12
7,014,199	B2 *	3/2006	Henzel	280/47.35
D533,705	S *	12/2006	Bertucci et al.	D34/14
D535,452	S *	1/2007	Lim et al.	D34/19
2003/0122331	A1 *	7/2003	DiGiacomo et al.	280/47.35

* cited by examiner

Primary Examiner—Cynthia E. Ramirez

(74) *Attorney, Agent, or Firm*—Thomas S. Baker, Jr.

(57) **CLAIM**

The ornamental design for cleaning trolley, as shown and described.

DESCRIPTION

FIG. 1 is a left side perspective view of a cleaning trolley showing my new design;

FIG. 2 is a right side perspective view thereof;

FIG. 3 is another left side perspective view;

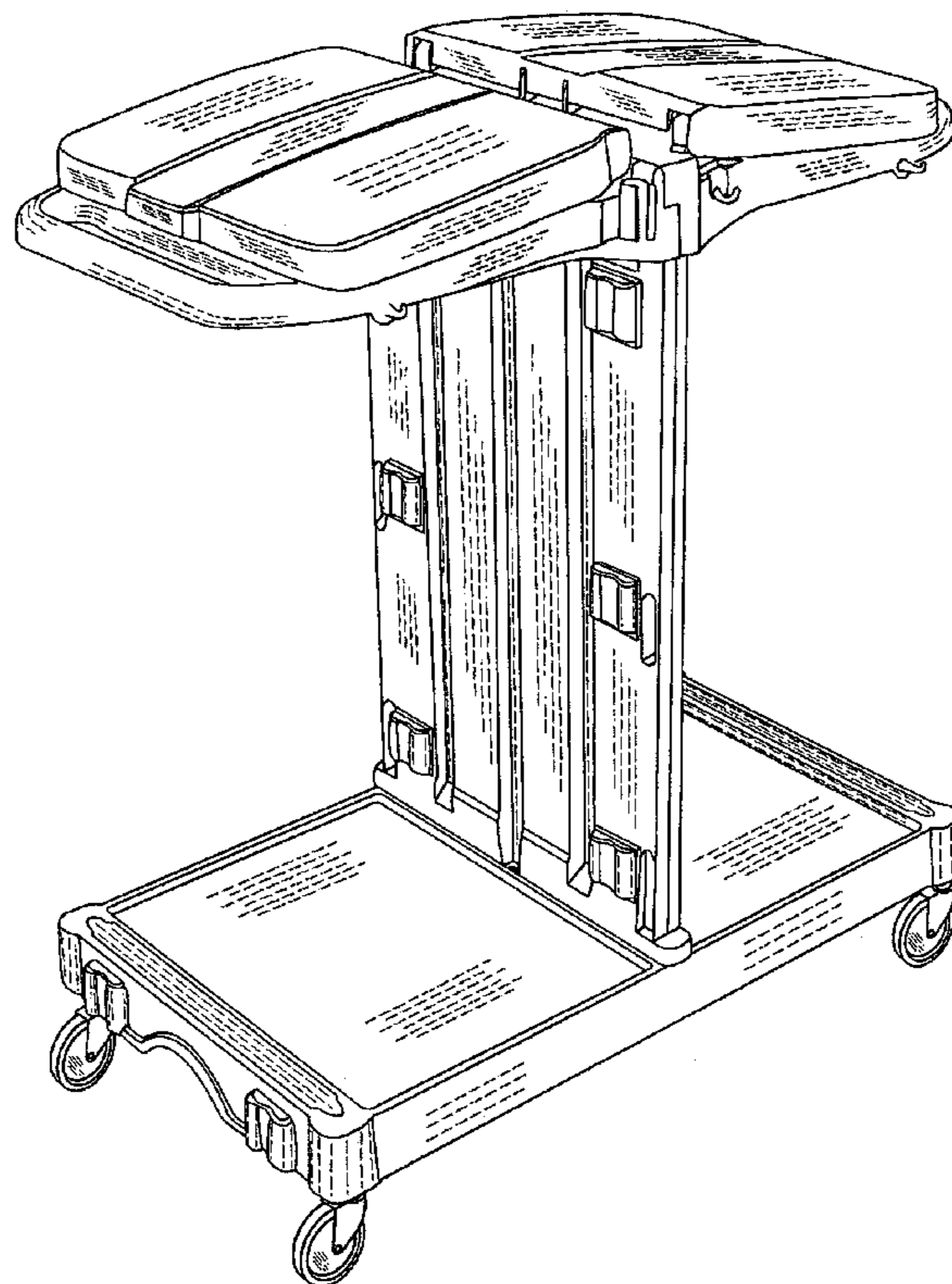
FIG. 4 is a left side elevational view thereof;

FIG. 5 is a right side elevational view thereof;

FIG. 6 is a front elevational view thereof; and,

FIG. 7 is a rear elevational view thereof.

1 Claim, 7 Drawing Sheets



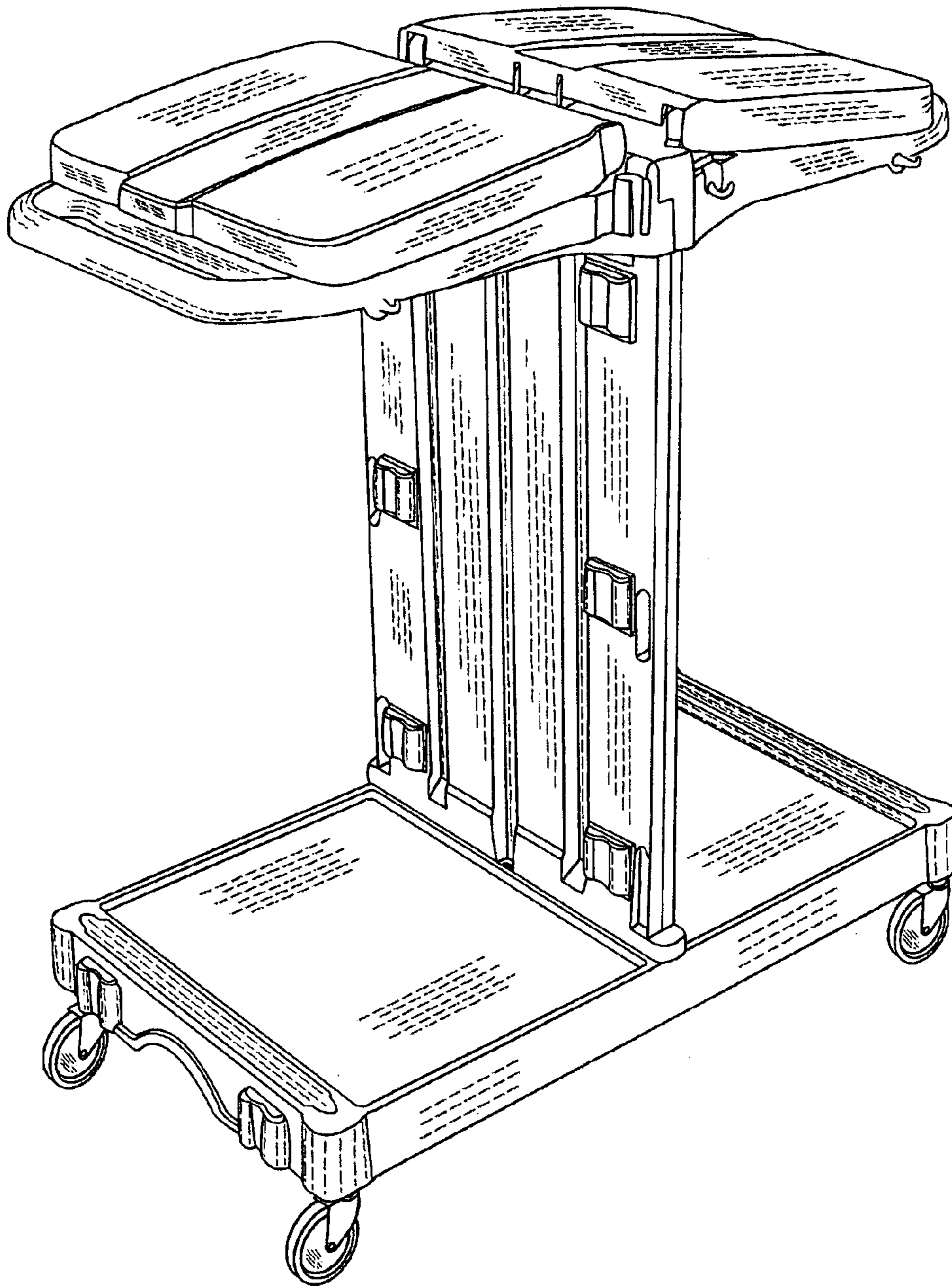


Fig. 1

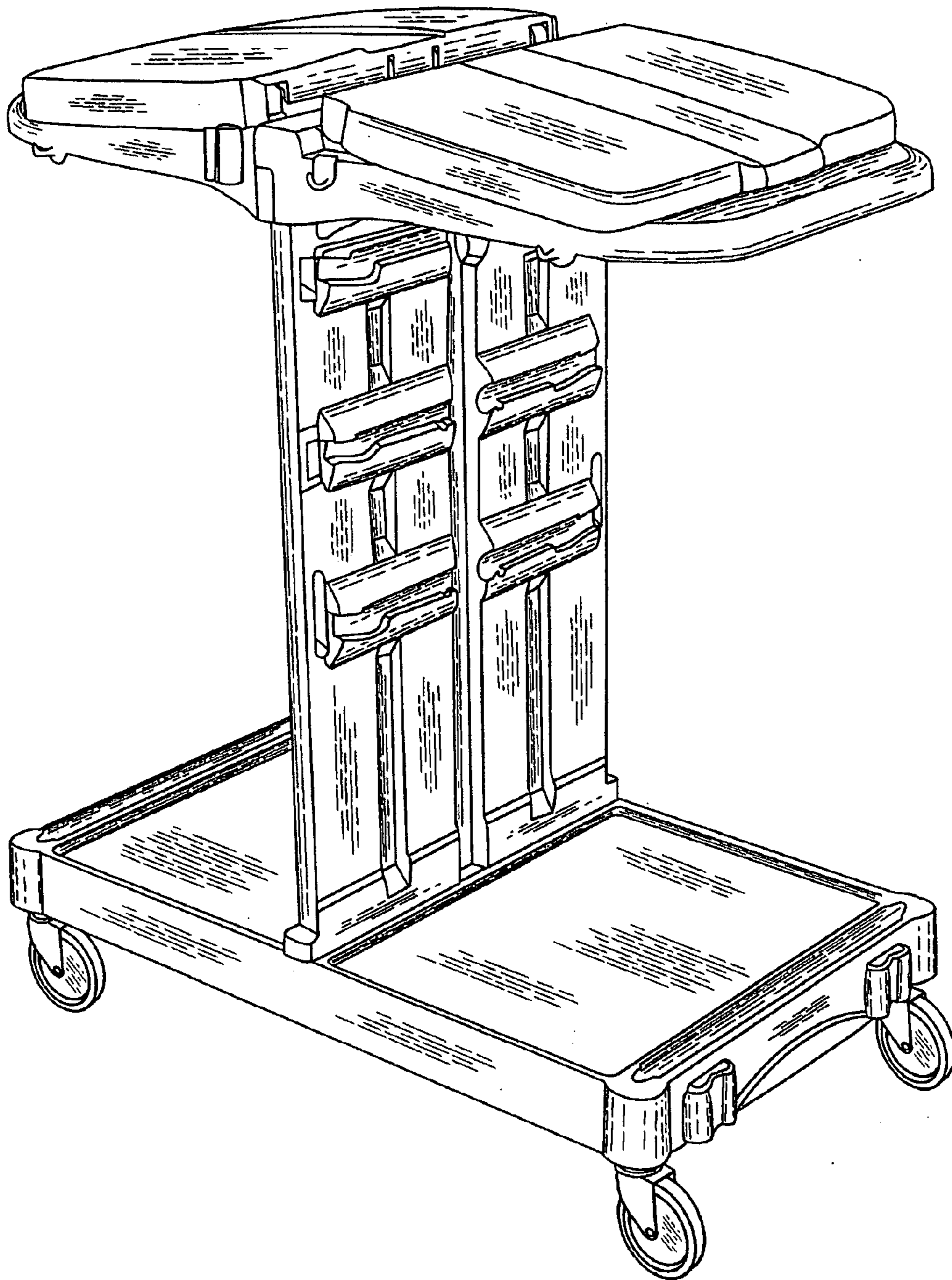


Fig. 2

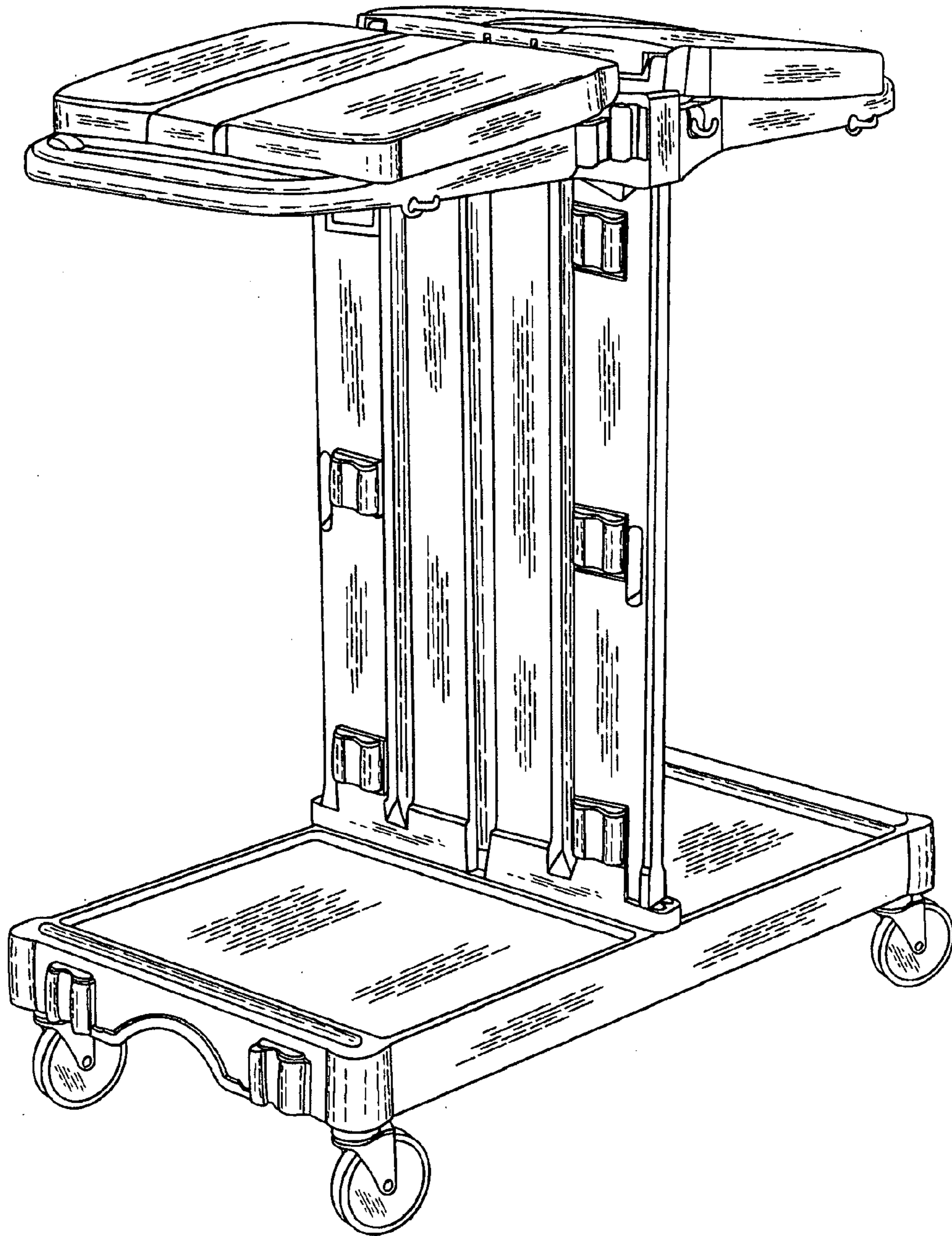


Fig. 3

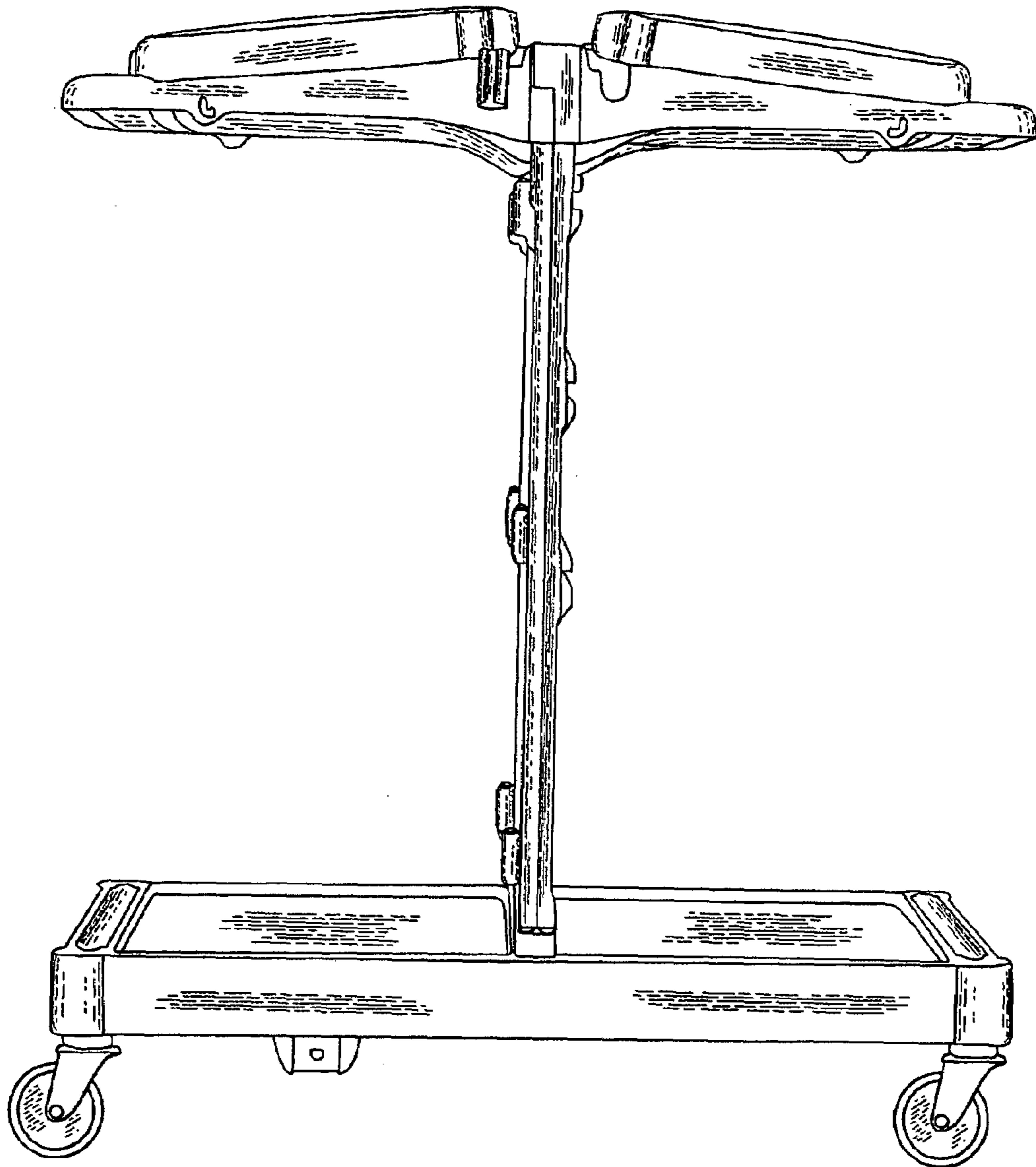


Fig. 4

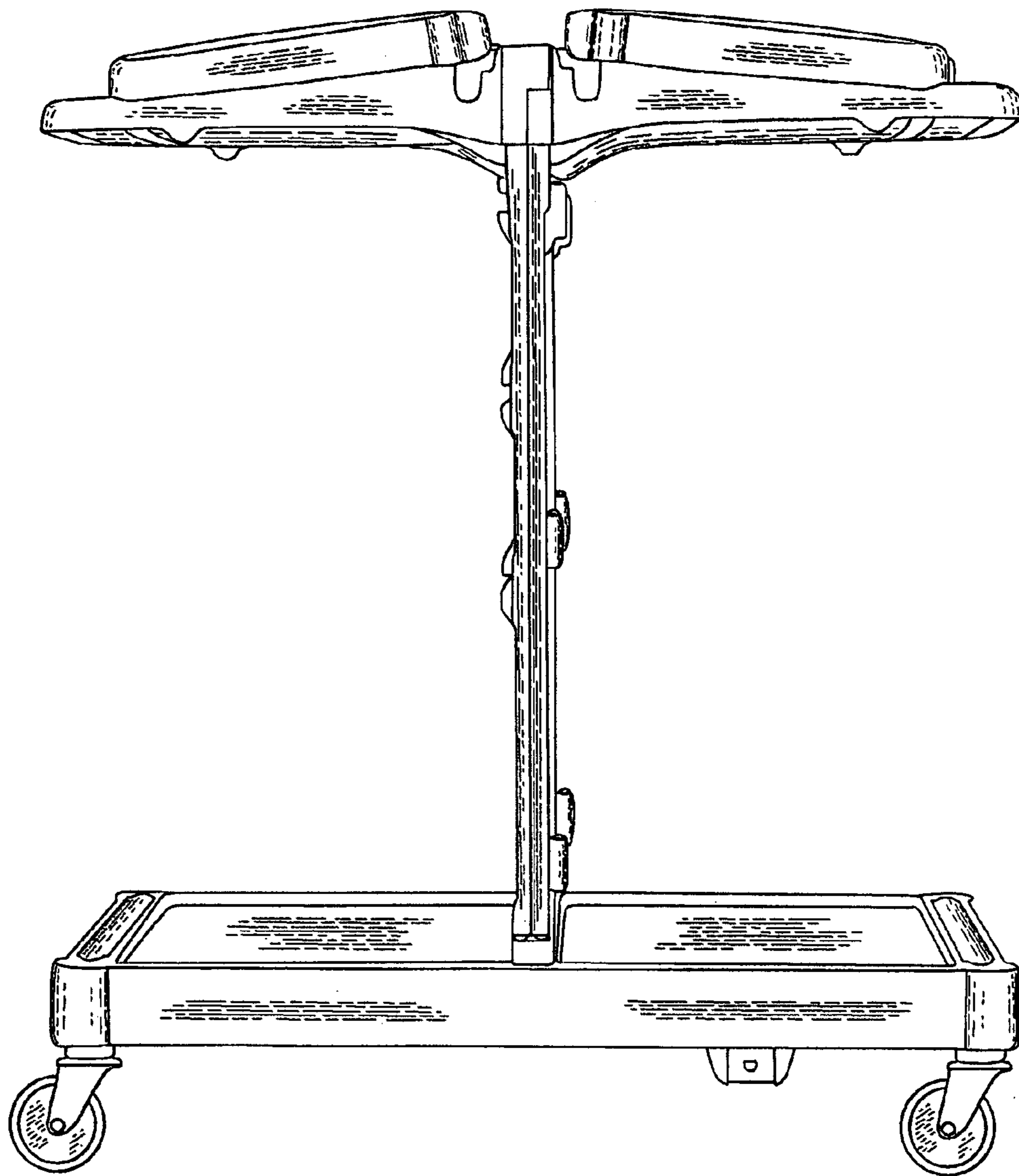


Fig. 5

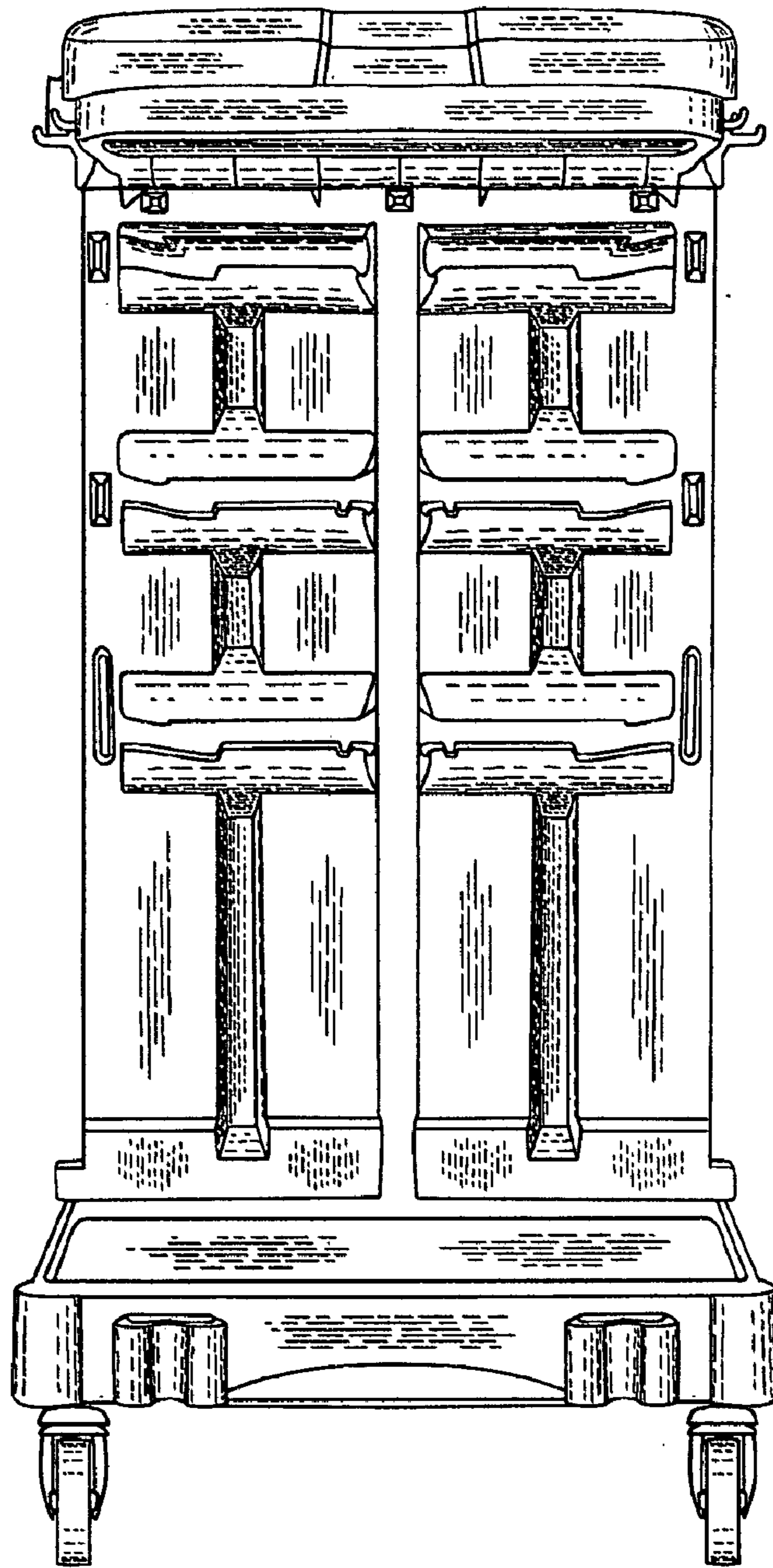


Fig. 6

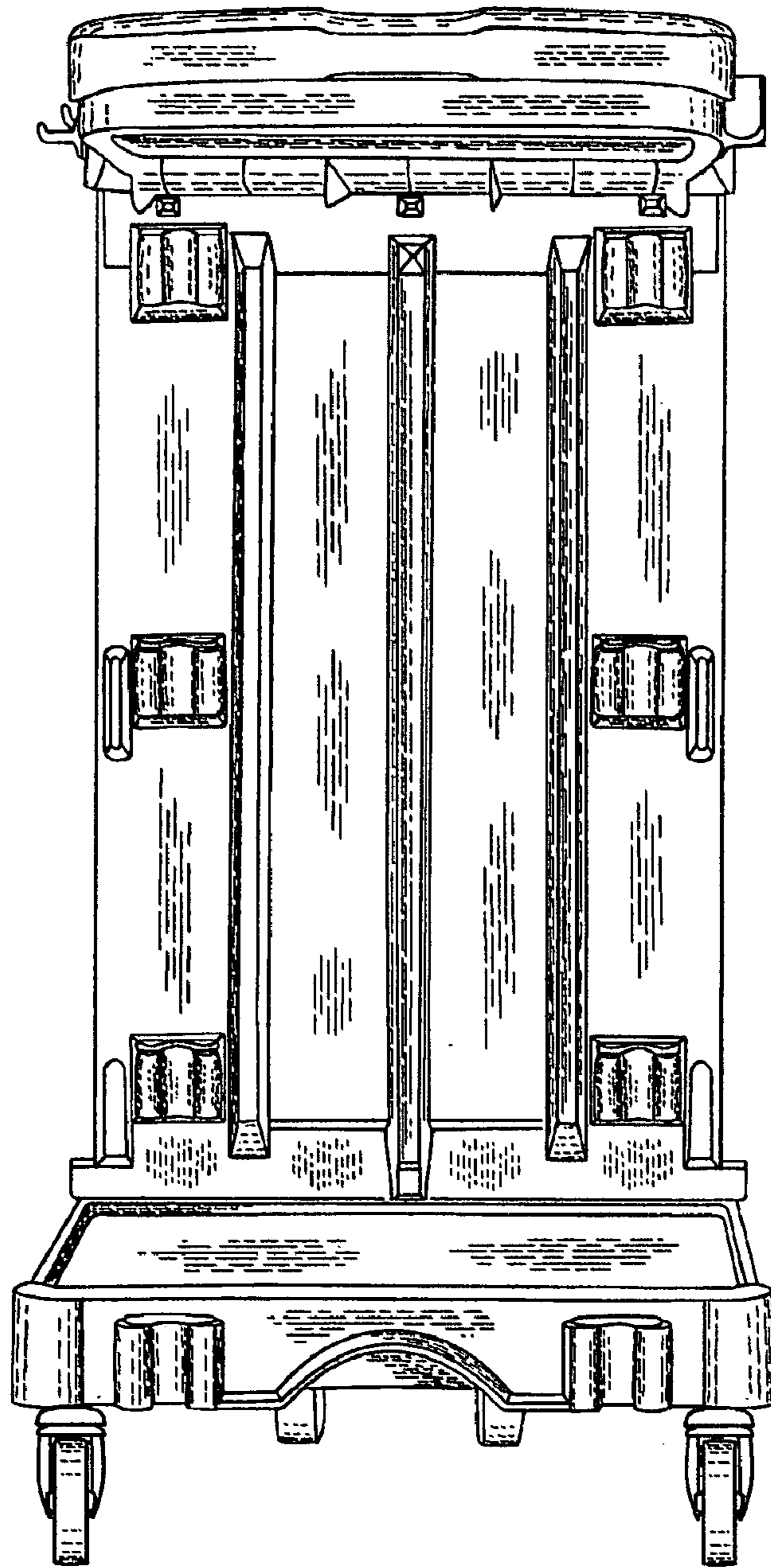


Fig. 7