



US00D556414S

(12) **United States Design Patent**  
**Gong et al.**

(10) **Patent No.:** **US D556,414 S**

(45) **Date of Patent:** **\*\* Nov. 27, 2007**

(54) **GOLF CART**

(75) Inventors: **Jiaxiong Gong**, Jiangsu (CN); **Ming Yin**, Jiangsu (CN); **Xiaojun Gong**, Jiangsu (CN)

(73) Assignee: **Ted Gold Equipment Co., Ltd.**, Jiangsu (CN)

(\*\*) Term: **14 Years**

(21) Appl. No.: **29/266,812**

(22) Filed: **Sep. 27, 2006**

(30) **Foreign Application Priority Data**

Mar. 27, 2006 (CN) ..... 2006 3 0082169  
Mar. 27, 2006 (CN) ..... 2006 3 0082170  
Mar. 27, 2006 (CN) ..... 2006 3 0082171

(51) **LOC (8) Cl.** ..... **12-13**

(52) **U.S. Cl.** ..... **D34/15**

(58) **Field of Classification Search** ..... D34/12-27;  
280/DIG. 5, DIG. 6, 62, 646; 180/11, 19.3,  
180/19.1, 19.2, 65.6; 248/96

See application file for complete search history.

(56) **References Cited**

**U.S. PATENT DOCUMENTS**

D302,616 S \* 8/1989 Hartmann ..... D34/15

D448,906 S \* 10/2001 Wu ..... D34/15

D488,279 S \* 4/2004 Wu ..... D34/15

D520,706 S \* 5/2006 Brekke ..... D34/15

D541,503 S \* 4/2007 Lee ..... D34/15

\* cited by examiner

*Primary Examiner*—Cynthia E. Ramirez

(74) *Attorney, Agent, or Firm*—J. C. Patents

(57) **CLAIM**

The ornamental design for a golf cart, as shown and described.

**DESCRIPTION**

FIG. 1 is a front elevational view of a golf cart showing the new design.

FIG. 2 is a right side elevational view thereof.

FIG. 3 is a left side elevational view thereof.

FIG. 4 is a rear elevational view thereof.

FIG. 5 is a top plan view thereof; and,

FIG. 6 is a perspective view thereof.

**1 Claim, 6 Drawing Sheets**





FIG. 1

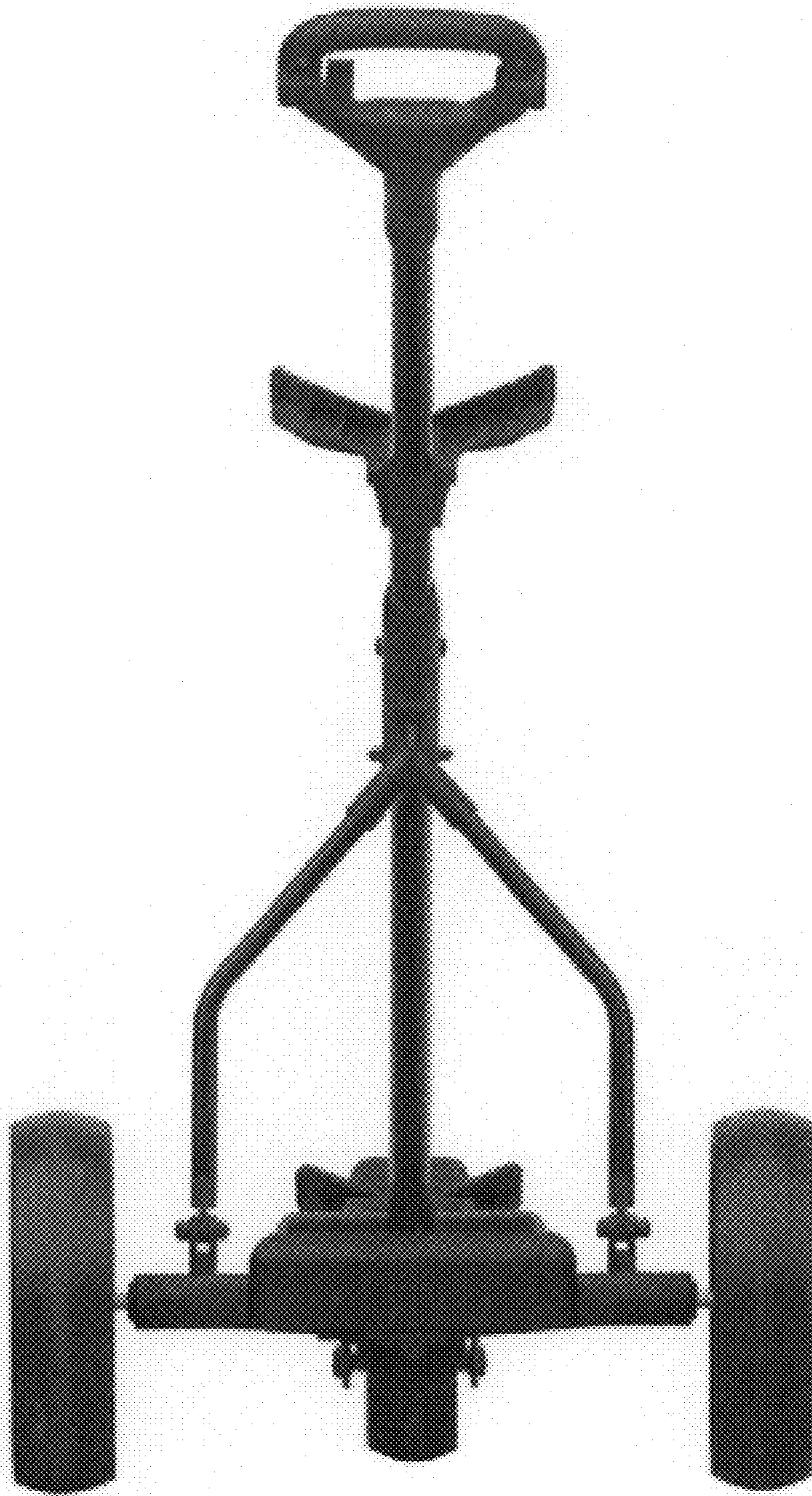


FIG. 2

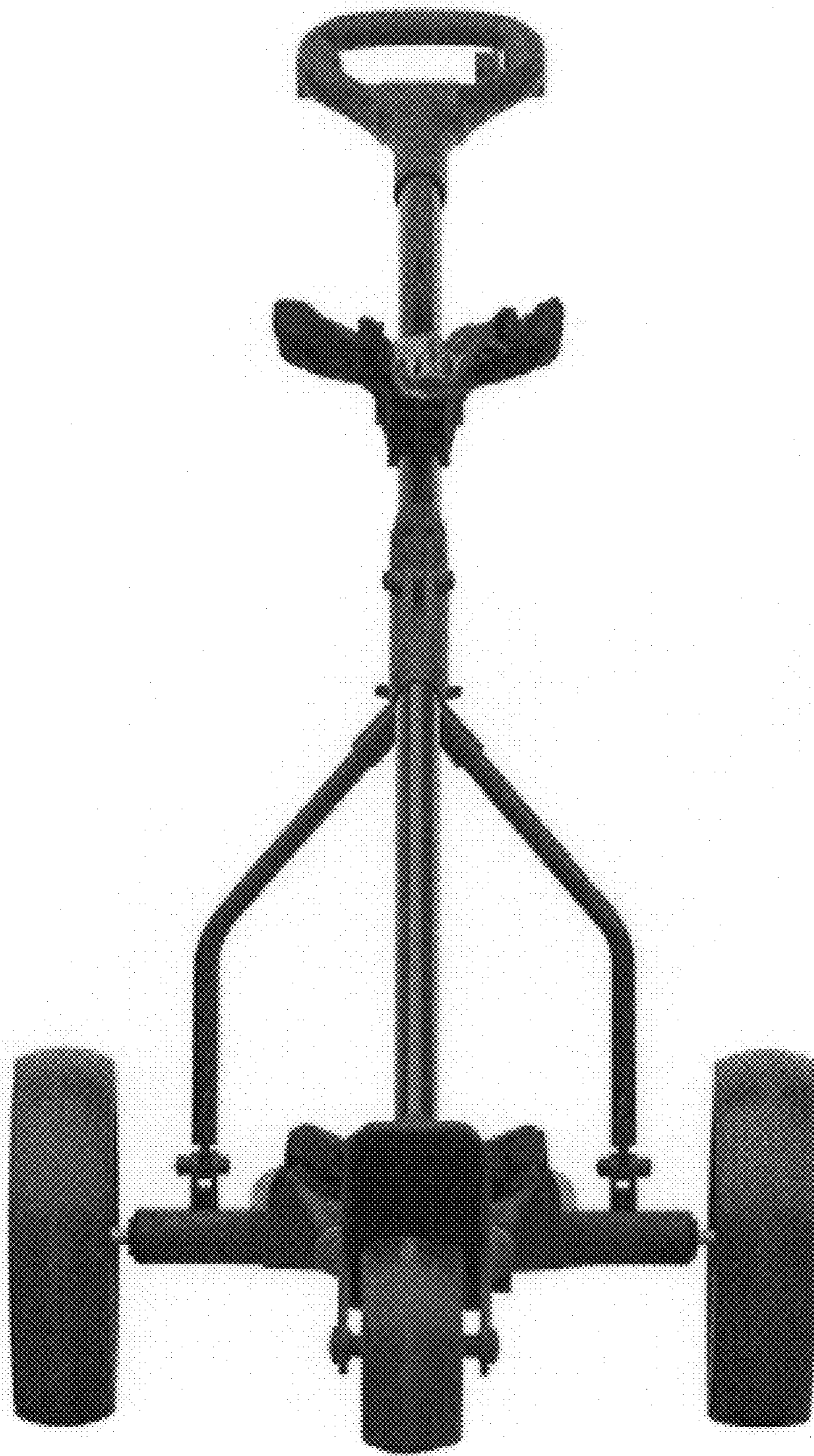


FIG. 3



FIG. 4

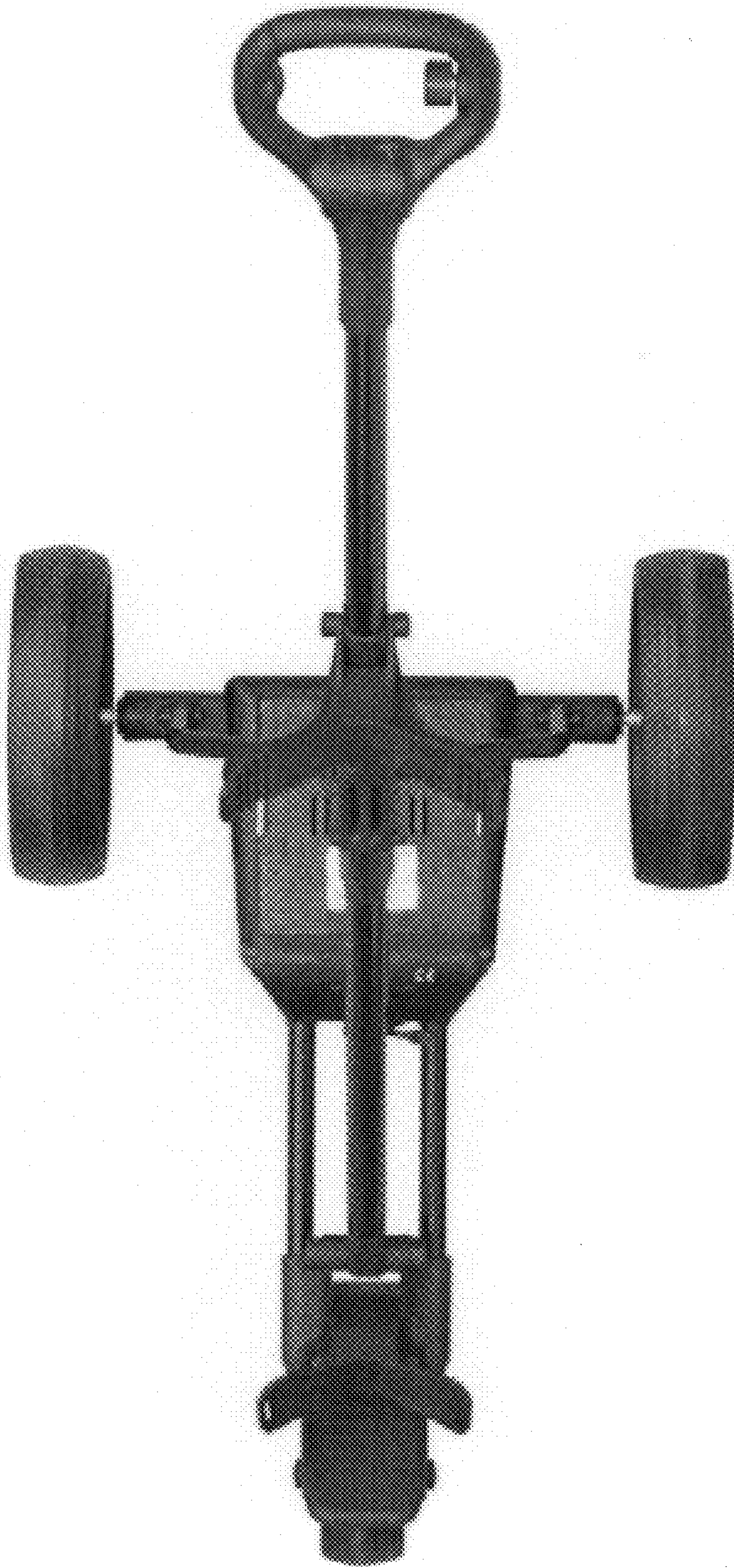


FIG. 5



FIG. 6

UNITED STATES PATENT AND TRADEMARK OFFICE  
**CERTIFICATE OF CORRECTION**

PATENT NO. : Des. 556,414 S  
APPLICATION NO. : 29/266812  
DATED : November 27, 2007  
INVENTOR(S) : Jiaxiong Gong et al.

Page 1 of 8

It is certified that error appears in the above-identified patent and that said Letters Patent is hereby corrected as shown below:

Please replace Drawing Sheet Figures 1-6 and the drawing fig on the Title page as shown in the attached sheets.

Signed and Sealed this

Seventeenth Day of June, 2008

A handwritten signature in black ink that reads "Jon W. Dudas". The signature is written in a cursive style with a large, stylized initial "J".

JON W. DUDAS  
*Director of the United States Patent and Trademark Office*



(12) **United States Design Patent** (10) **Patent No.:** **US D556,414 S**  
**Gong et al.** (45) **Date of Patent:** **Nov. 27, 2007**

(54) **GOLF CART** D448,906 S \* 10/2001 Wu ..... D34/15  
 D488,279 S \* 4/2004 Wu ..... D34/15  
 (75) **Inventors:** **Jiaolong Gong, Jiangsu (CN); Ming Yin, Jiangsu (CN); Xiaojun Gong, Jiangsu (CN)** D520,708 S \* 5/2006 Brekke ..... D34/15  
 D541,503 S \* 4/2007 Lee ..... D34/15

(73) **Assignee:** **Ted Gold Equipment Co., Ltd., Jiangsu (CN)**

\* cited by examiner

(\*\*)**Term:** **14 Years**

*Primary Examiner*---Cynthia E. Ramirez  
 (74) *Attorney, Agent, or Firm*---J. C. Patents

(21) **Appl. No.:** **29/266,812**

(57) **CLAIM**

(22) **Filed:** **Sep. 27, 2006**

The ornamental design for a golf cart, as shown and described.

(30) **Foreign Application Priority Data**

Mar. 27, 2006 (CN) ..... 2006 3 0082169  
 Mar. 27, 2006 (CN) ..... 2006 3 0082170  
 Mar. 27, 2006 (CN) ..... 2006 3 0082171

**DESCRIPTION**

(51) **LOC (8) Cl.** ..... **12-13**  
 (52) **U.S. Cl.** ..... **D34/15**  
 (58) **Field of Classification Search** ..... **D34/12-27;**  
**280/DIG. 5, DIG. 6, 62, 646; 180/11, 19.3,**  
**180/19.1, 19.2, 65.6; 248/96**  
 See application file for complete search history.

FIG. 1 is a front elevational view of a golf cart showing the new design.  
 FIG. 2 is a right side elevational view thereof.  
 FIG. 3 is a left side elevational view thereof.  
 FIG. 4 is a rear elevational view thereof.  
 FIG. 5 is a top plan view thereof; and,  
 FIG. 6 is a perspective view thereof.

(56) **References Cited**

**U.S. PATENT DOCUMENTS**  
 D302,616 S \* 8/1989 Hartmann ..... D34/15

**1 Claim, 6 Drawing Sheets**

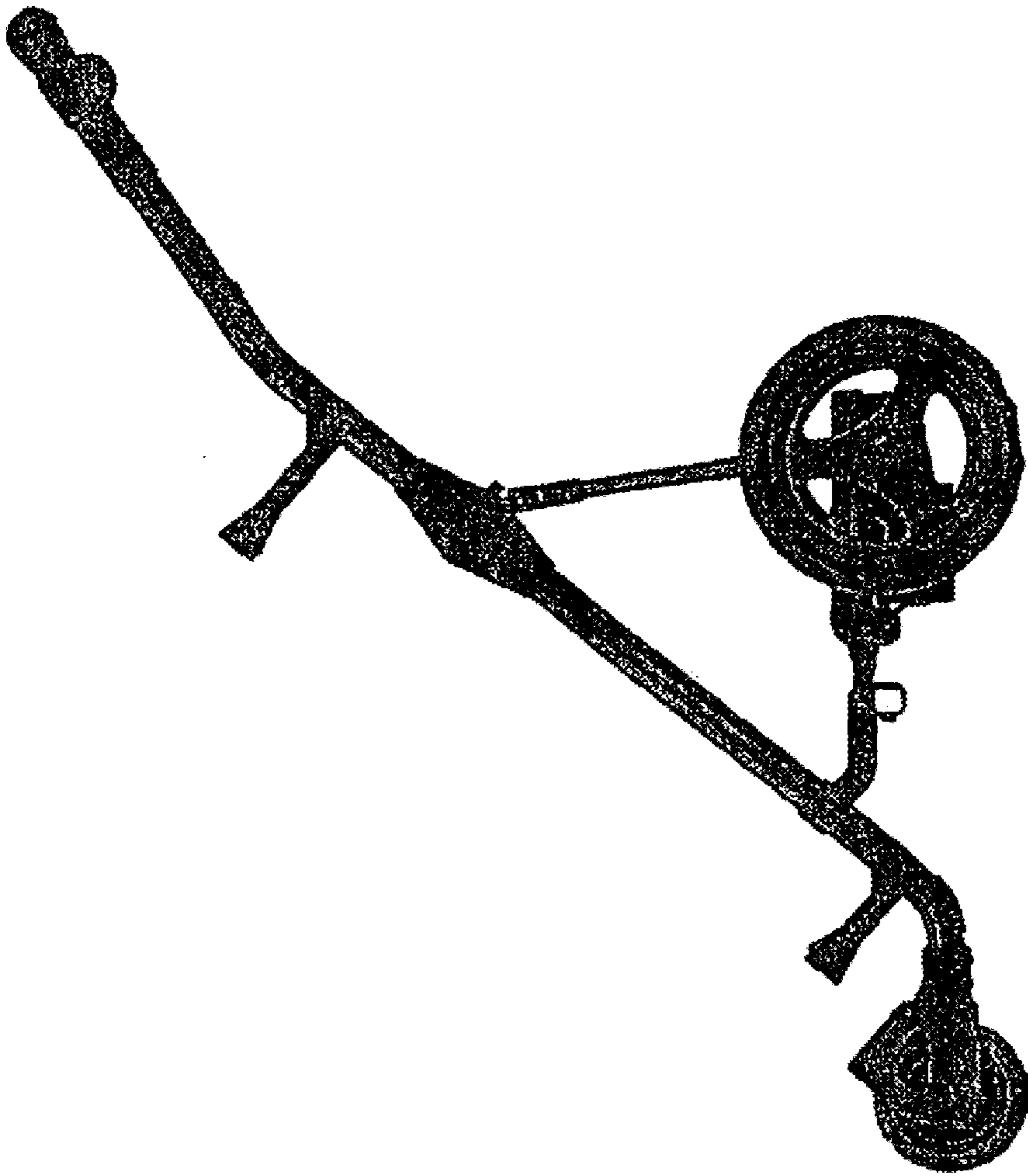


**U.S. Patent**

**Nov. 27, 2007**

**Sheet 1 of 6**

**D556,414 S**



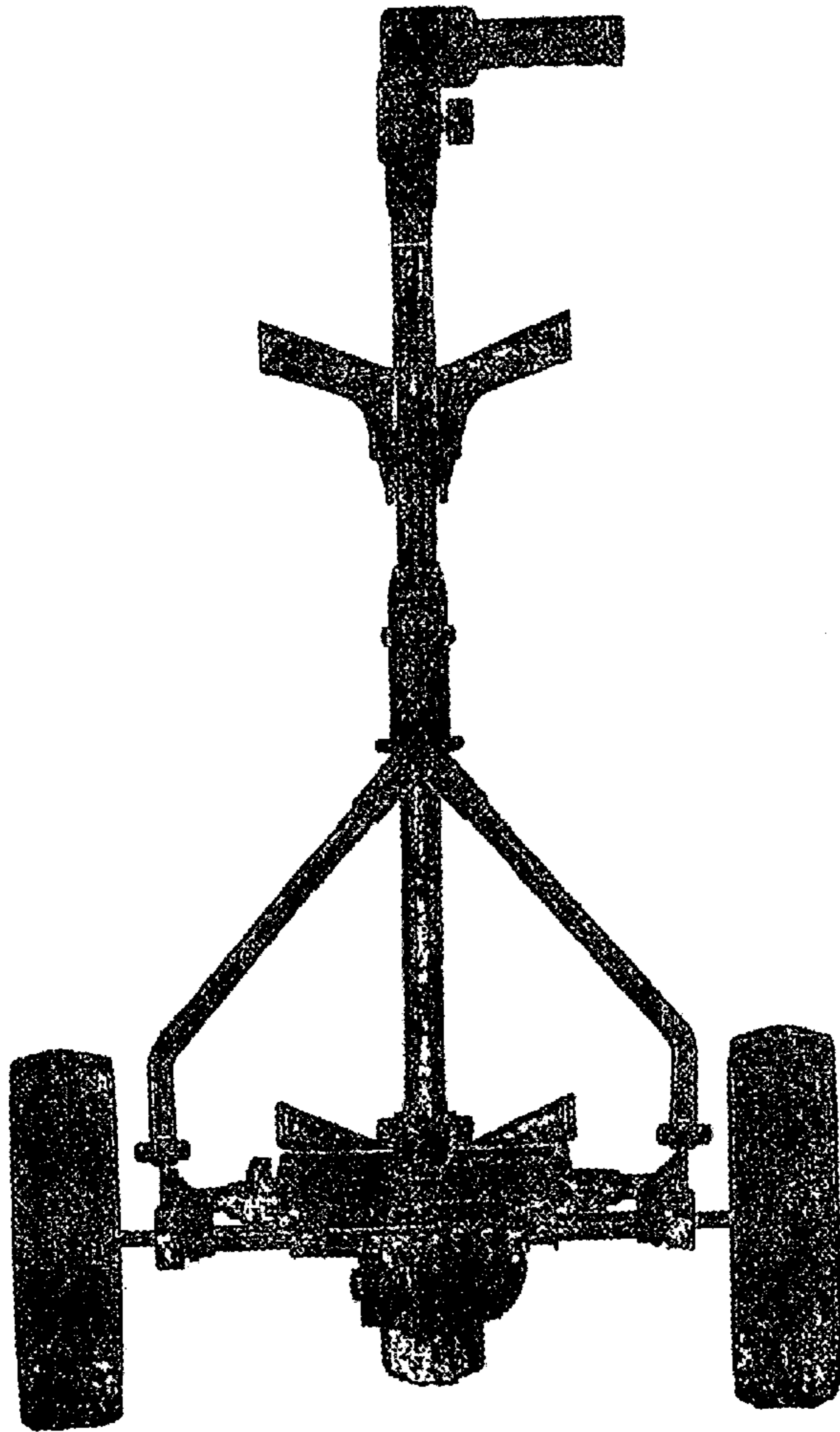
**FIG. 1**

**U.S. Patent**

**Nov. 27, 2007**

**Sheet 2 of 6**

**D556,414 S**



**FIG. 2**

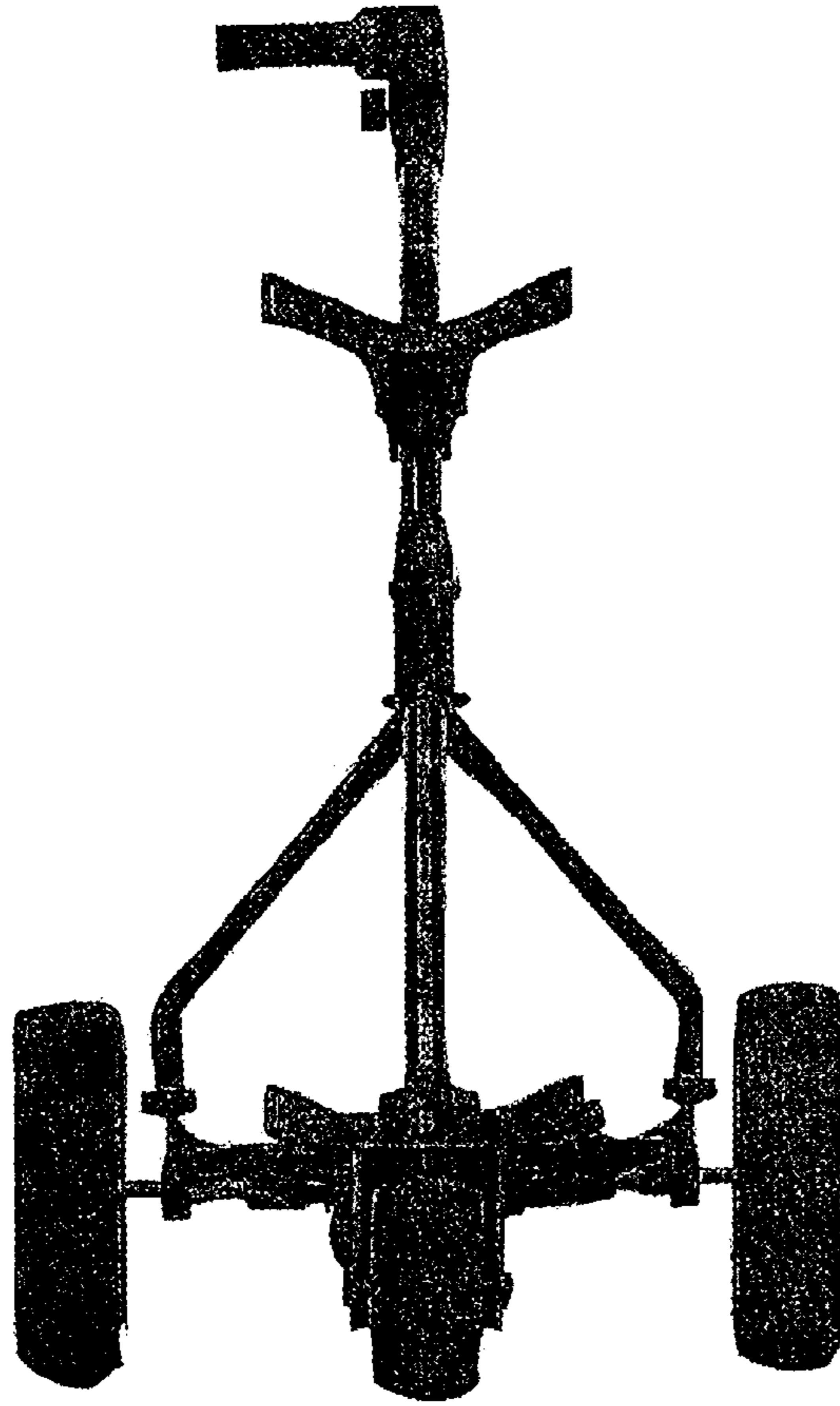


FIG. 3



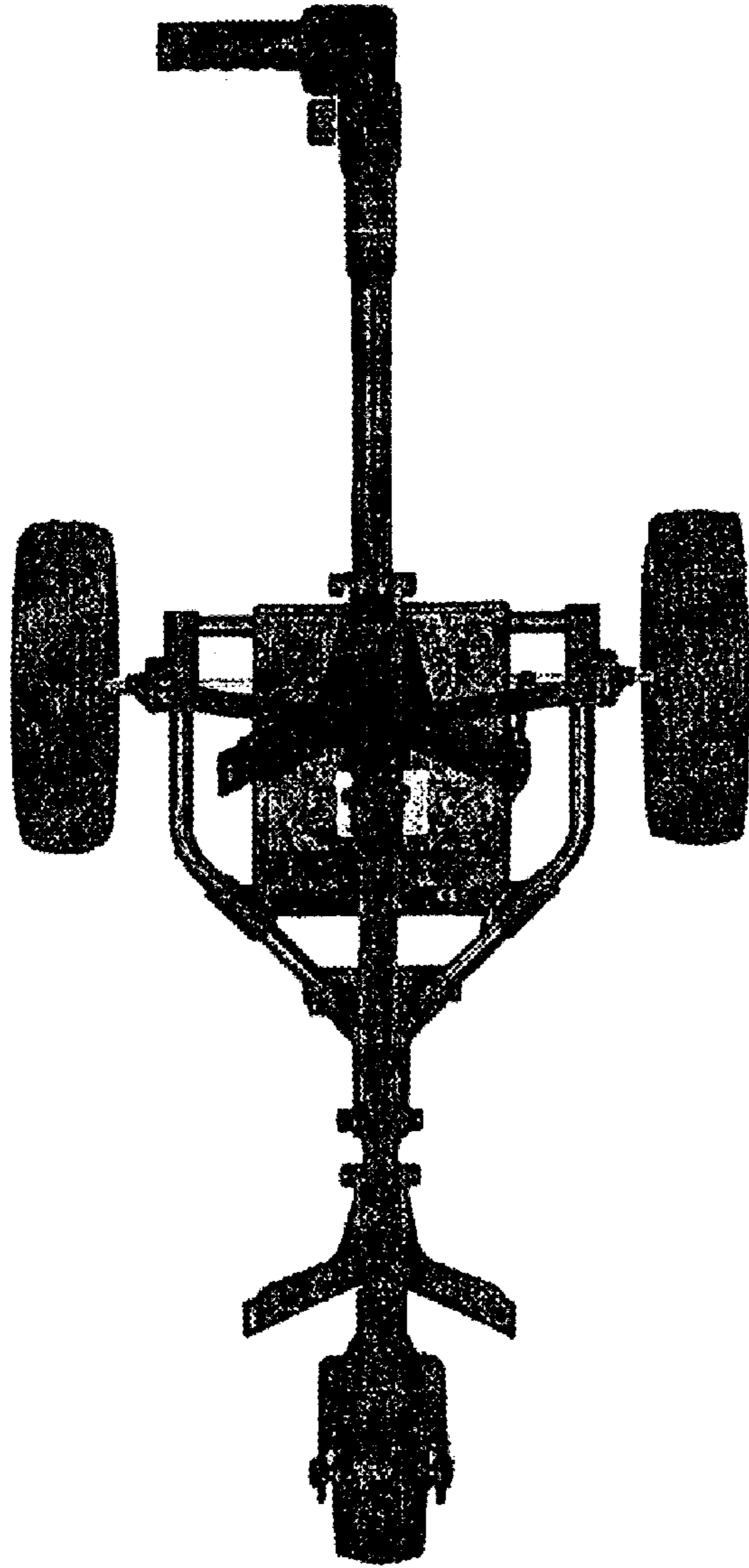
FIG. 4

**U.S. Patent**

**Nov. 27, 2007**

**Sheet 5 of 6**

**D556,414 S**



**FIG. 5**



FIG. 6