



US00D556413S

(12) **United States Design Patent** (10) **Patent No.:** **US D556,413 S**
Splain et al. (45) **Date of Patent:** **** Nov. 27, 2007**

(54) **SHOPPING CART**

EP 0 161 108 3/1985
EP 0 161 890 3/1985

(75) Inventors: **William D. Splain**, Brooklyn Park, MN (US); **Robert D. Peota**, Minneapolis, MN (US); **Alexandre Hennen**, Cambridge, MA (US); **Allan Cameron**, Natick, MA (US); **Mark T. Ryan**, Haskell, OK (US); **David L. Pruitt, Jr.**, Brookland, AR (US)

(Continued)

OTHER PUBLICATIONS

Plastic shopping cart web page, IPT, Inc., available at http://www.inplastech.com/Products_EX11575WM_LG.asp; printed out Jan. 24, 2006. (2 pages).

(Continued)

(73) Assignee: **Target Brands, Inc.**, Minneapolis, MN (US)

Primary Examiner—Cynthia E. Ramirez

(74) *Attorney, Agent, or Firm*—Dicke, Billig, & Czaja, P.L.L.C.

(**) Term: **14 Years**

(21) Appl. No.: **29/280,442**

(57) **CLAIM**

(22) Filed: **May 29, 2007**

The ornamental design for a shopping cart, as shown and described.

Related U.S. Application Data

DESCRIPTION

(63) Continuation of application No. 29/264,725, filed on Aug. 16, 2006.

FIG. 1 is an isometric view of a shopping cart according to an embodiment of the invention, with elements in dashed lines forming no part of the claimed design.

(51) **LOC (8) Cl.** **12-02**

(52) **U.S. Cl.** **D34/12**

(58) **Field of Classification Search** D34/12-27;
280/33.992, 99.991, 33.991, 47, 34, 79.11;
220/334

FIG. 2 is a front view of a shopping cart, according to an embodiment of the invention, with elements in dashed lines forming no part of the claimed design.

See application file for complete search history.

FIG. 3 is a rear view of a shopping cart, according to an embodiment of the invention, with elements in dashed lines forming no part of the claimed design.

(56) **References Cited**

U.S. PATENT DOCUMENTS

2,479,530 A 8/1949 Watson
D155,971 S 11/1949 Concklin
D156,702 S 1/1950 Concklin
2,527,953 A 10/1950 Muffley
2,906,542 A 9/1959 Hoedinghaus et al.

FIG. 4 is a right side view of a shopping cart, according to an embodiment of the invention, with elements in dashed lines forming no part of the claimed design and with a left side view being a mirror image of the right side view.

(Continued)

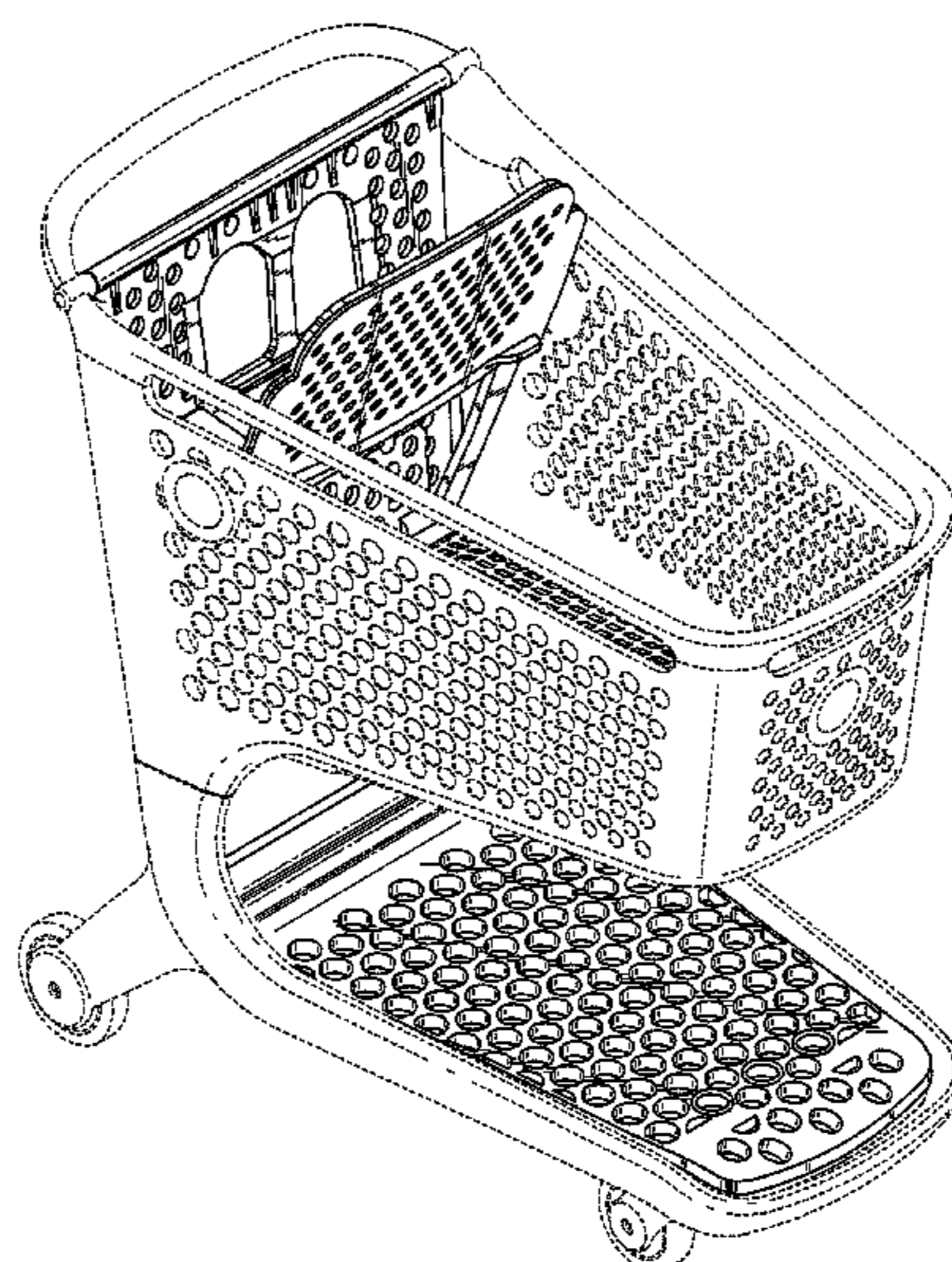
FIG. 5 is a top view of a shopping cart, according to an embodiment of the invention; and,

FOREIGN PATENT DOCUMENTS

EP 0 115 439 1/1984

FIG. 6 is a bottom view of a shopping cart, according to an embodiment of the invention, with elements in dashed lines forming no part of the claimed design.

1 Claim, 6 Drawing Sheets



U.S. PATENT DOCUMENTS

D188,841 S 9/1960 Umanoff
 2,997,311 A 8/1961 Umanoff
 3,048,420 A 8/1962 Umanoff
 D198,448 S 6/1964 Moran
 3,195,912 A 7/1965 Howard et al.
 3,346,271 A 10/1967 Parsons
 3,614,133 A 10/1971 Ganci et al.
 D231,336 S 4/1974 Wahl
 3,999,774 A 12/1976 Rehrig
 4,046,394 A 9/1977 Thompson et al.
 D247,953 S 5/1978 Rehrig
 4,123,077 A 10/1978 Joseph
 4,139,098 A 2/1979 Mollon
 4,268,049 A 5/1981 Salvador
 4,273,346 A 6/1981 Rehrig
 4,376,502 A 3/1983 Cohen
 4,478,344 A 10/1984 Rehrig
 D277,532 S 2/1985 Duhamel
 4,537,413 A 8/1985 Rehrig
 4,555,123 A 11/1985 Rehrig
 D283,264 S 4/1986 Levy-Joseph
 4,632,411 A 12/1986 Badger
 4,650,199 A 3/1987 Rehrig
 D294,419 S 2/1988 Rehrig
 D296,259 S 6/1988 Rehrig
 4,865,338 A 9/1989 Rehrig
 4,922,639 A 5/1990 Rehrig
 4,930,795 A 6/1990 Tannehill et al.
 D311,983 S 11/1990 Rehrig
 D317,219 S 5/1991 Rehrig
 D326,550 S 5/1992 Waterman
 5,111,604 A 5/1992 Rehrig
 5,203,578 A 4/1993 Davidson et al.
 5,210,968 A 5/1993 Rehrig
 5,255,930 A 10/1993 Jones et al.
 5,289,936 A 3/1994 Jones et al.
 5,331,756 A 7/1994 Rehrig
 5,368,318 A 11/1994 Rehrig et al.
 D359,828 S 6/1995 Lindberg
 5,441,288 A 8/1995 Rehrig
 5,458,347 A 10/1995 Chiv
 D364,961 S 12/1995 Rehrig
 5,553,877 A 9/1996 Huang
 D377,255 S 1/1997 Rehrig
 5,613,696 A 3/1997 de Luna
 D382,999 S 9/1997 Rehrig
 D384,815 S 10/1997 Rehrig
 D400,679 S 11/1998 Kern et al.
 5,865,448 A 2/1999 Kern et al.
 5,871,286 A 2/1999 Kern et al.
 D411,264 S 6/1999 Huang
 5,915,704 A 6/1999 Segura de Luna
 D412,046 S 7/1999 Rehrig et al.
 5,947,313 A 9/1999 Kern et al.
 5,961,133 A 10/1999 Perry
 6,155,580 A 12/2000 Symons
 D443,968 S 6/2001 Porter
 D444,281 S 6/2001 Gaze et al.
 D445,231 S 7/2001 Porter

6,270,093 B1 8/2001 Johnson et al.
 D468,880 S 1/2003 Porter
 D470,292 S 2/2003 Johnson et al.
 6,540,240 B2 4/2003 Nadeau et al.
 6,572,122 B2 6/2003 Johnson et al.
 6,589,458 B2 7/2003 DeCost
 6,669,212 B2 12/2003 Porter
 6,705,623 B2 3/2004 Nadeau et al.
 6,736,415 B1 5/2004 Lenihan
 6,761,364 B2 7/2004 Murar et al.
 6,805,365 B2 10/2004 Lantz
 6,983,944 B2 1/2006 Bergia
 D530,478 S 10/2006 Splain et al.
 D536,874 S 2/2007 Splain et al.
 D540,998 S 4/2007 Splain et al.
 2002/0135144 A1 9/2002 Murar et al.

FOREIGN PATENT DOCUMENTS

WO WO 93/02903 2/1993
 WO WO 93/11018 6/1993
 WO WO 95/03201 2/1995
 WO WO 96/04161 2/1996
 WO WO 97/30880 8/1997

OTHER PUBLICATIONS

The Supercart Hyper Trolley web page, Supercart, available at <http://www.supercart.com/supercart/page.asp?SectionID=2&PageID=3>; printed out May 13, 2005. (1 page).
 The Supercart Mid Size Supercart Trolley web page, Supercart, available at <http://www.supercart.com/supercart/page.asp?SectionID=2&PageID=4>; printed out May 13, 2005. (1 page).
 The Supercart Grocer Trolley web page, Supercart, available at <http://www.supercart.com/supercart/page.asp?SectionID=2&PageID=5>; printed out May 13, 2005. (1 page).
 The Full Size all-plastic Supercart trolley web page, Supercart, available at <http://www.supercart.com/supercart/page.asp?SectionID=2&PageID=6>; printed out May 13, 2005. (2 pages).
 Photo of Cart Icon from Greeley, Colorado, icon on public display 2nd Quarter 2004.
 Photos (pp. 2) of SuperCart Shopping Trolley at Euroshop Tradeshow in Dusseldorf, Germany in Feb. 19-23, 2005.
 ARRK Prototype Brochure (pp. 2) documenting Supercart Trolley display in Feb. 19-23, 2005.
 Photo A of Handbasket on display at Euroshop Tradeshow in Dusseldorf, Germany in Feb. 19-23, 2005.
 Photo B of Handbasket on display at Euroshop Tradeshow in Dusseldorf, Germany in Feb. 19-23, 2005.
 Pending (IFW) U.S. Appl. No. 11/231,283, inventor Peota et al., filed Sep. 19, 2005.
 Pending (IFW) U.S. Appl. No. 11/231,307, inventor Splain et al., filed Sep. 19, 2005.
 Pending (IFW) U.S. Appl. No. 11/231,313, inventor Splain et al., filed Sep. 19, 2005.
 Pending (IFW) U.S. Appl. No. 11/231,343, inventor Splain et al., filed Sep. 19, 2005.
 Pending (IFW) U.S. Appl. No. 11/231,344, inventor Splain et al., filed Sep. 19, 2005.
 Pending (IFW) U.S. Appl. No. 11/231,364, inventor Splain et al., filed Sep. 19, 2005.
 US 5,201,134, 04/1993, Rehrig et al. (withdrawn)

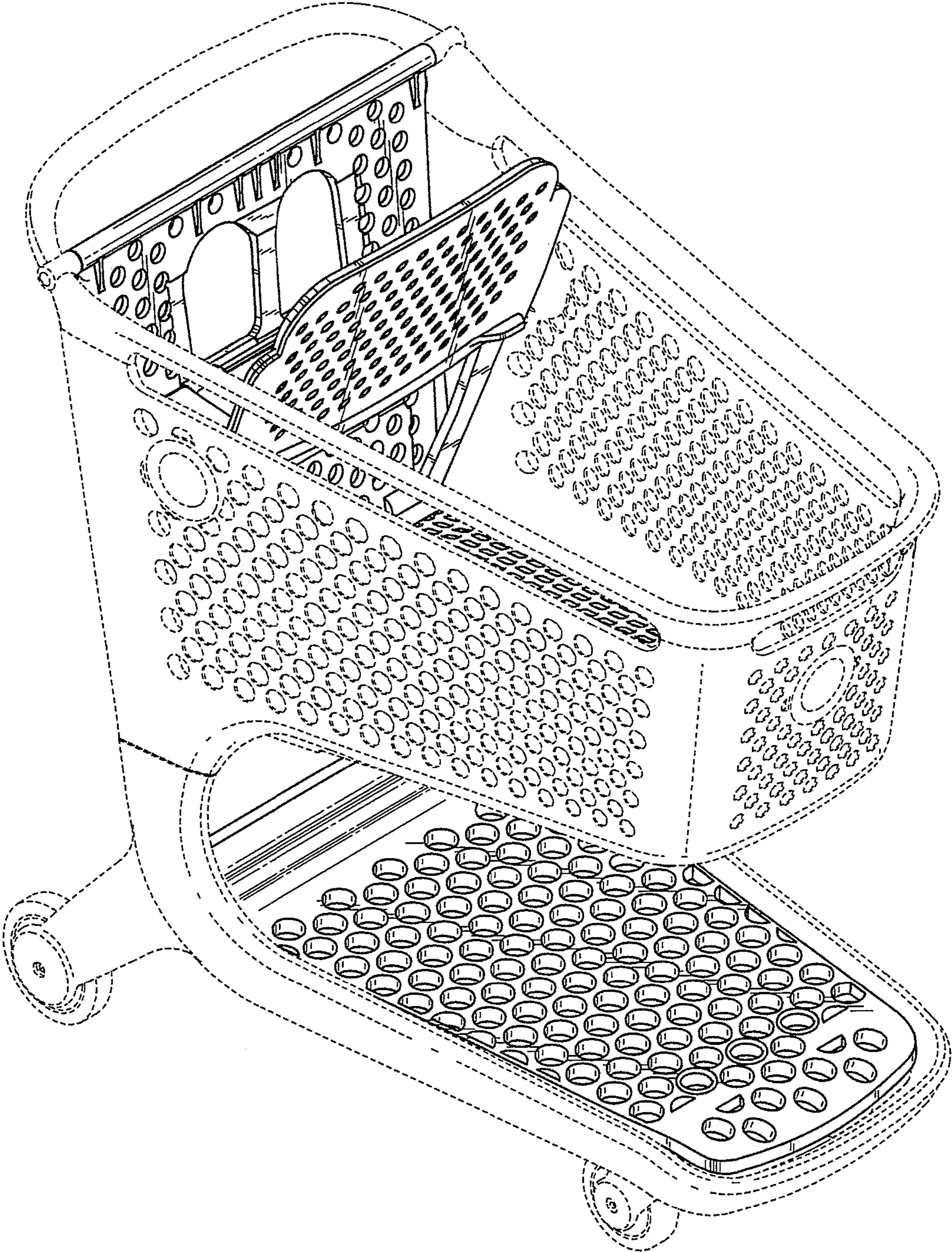


Fig. 1

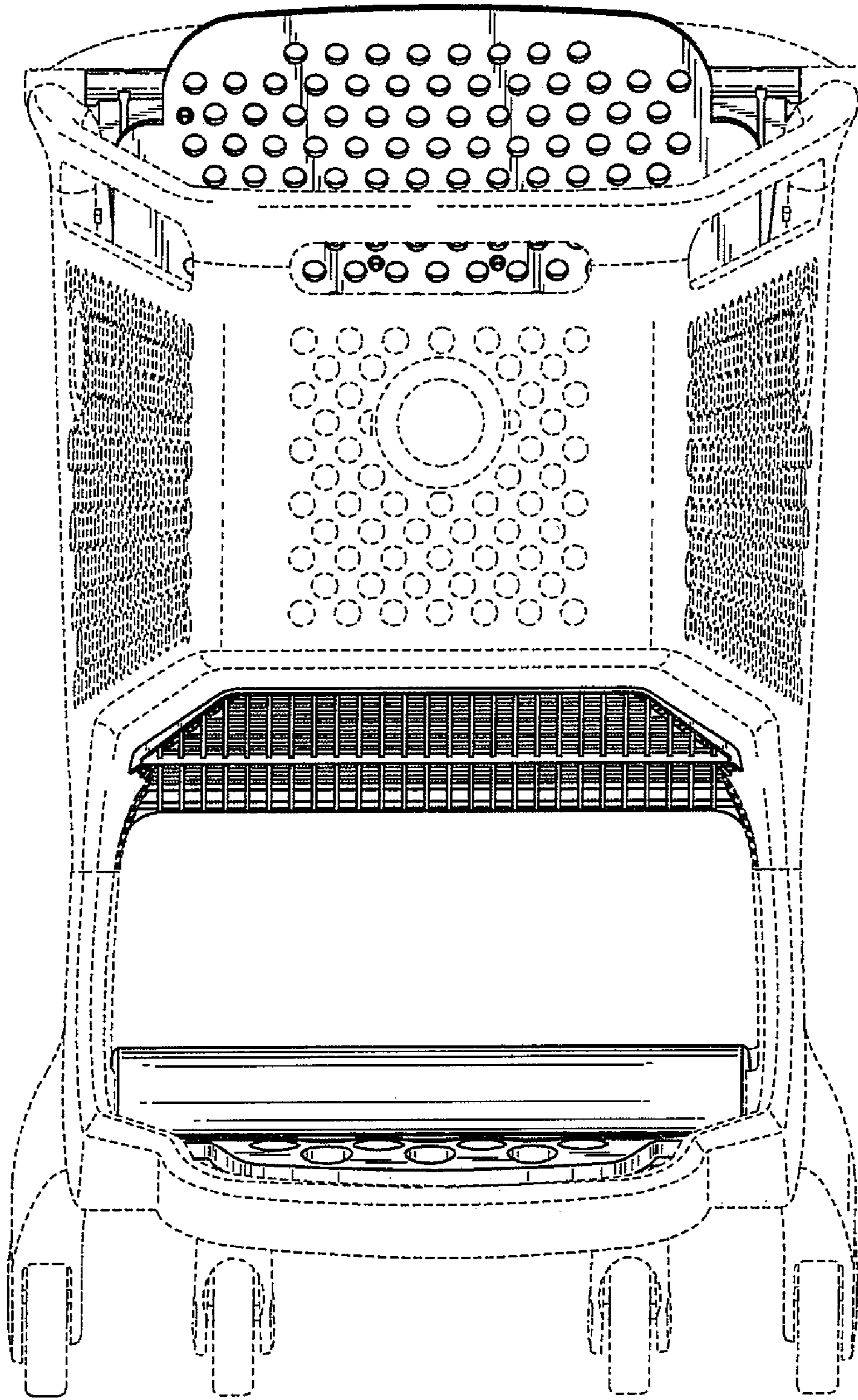


Fig. 2

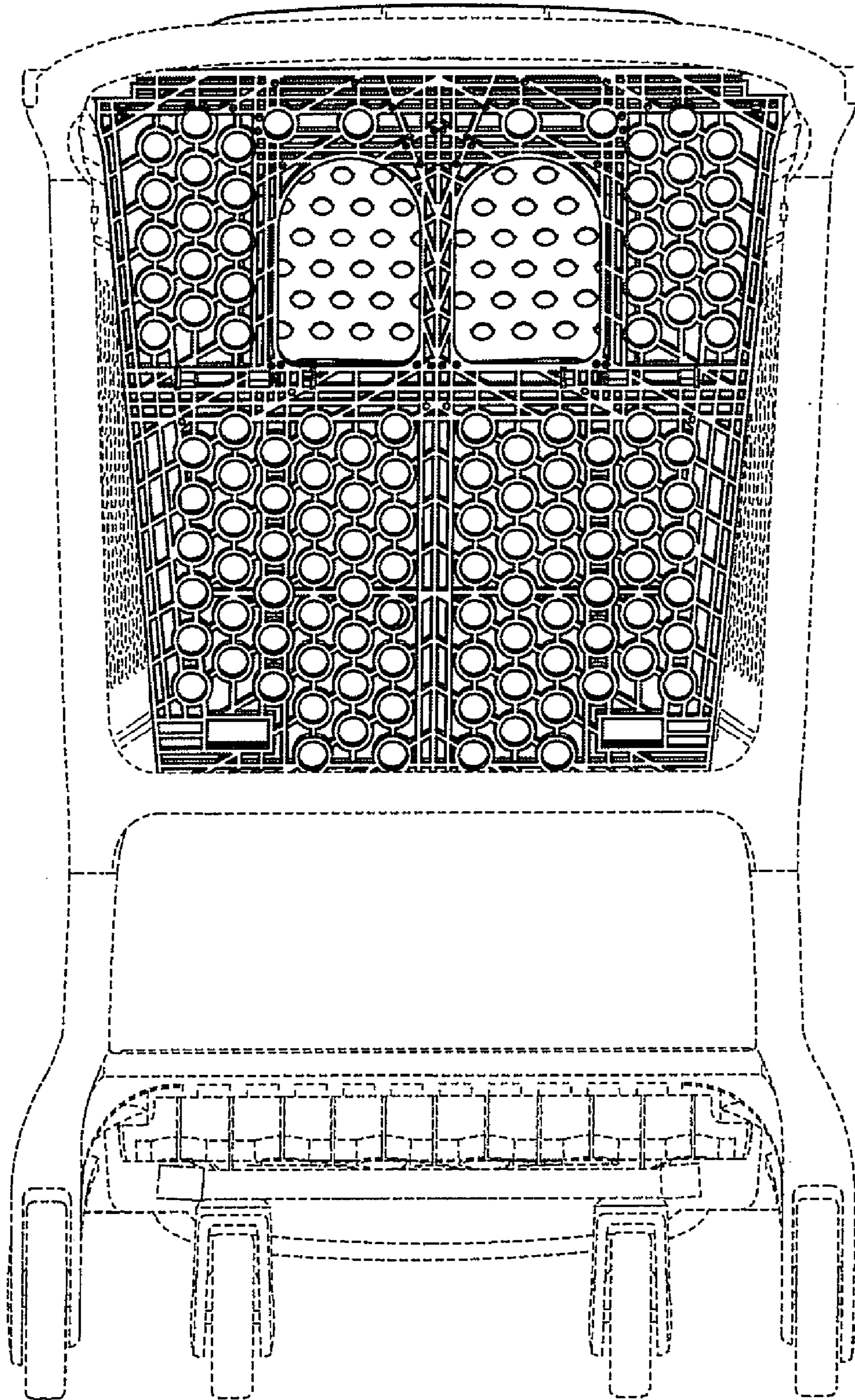


Fig. 3

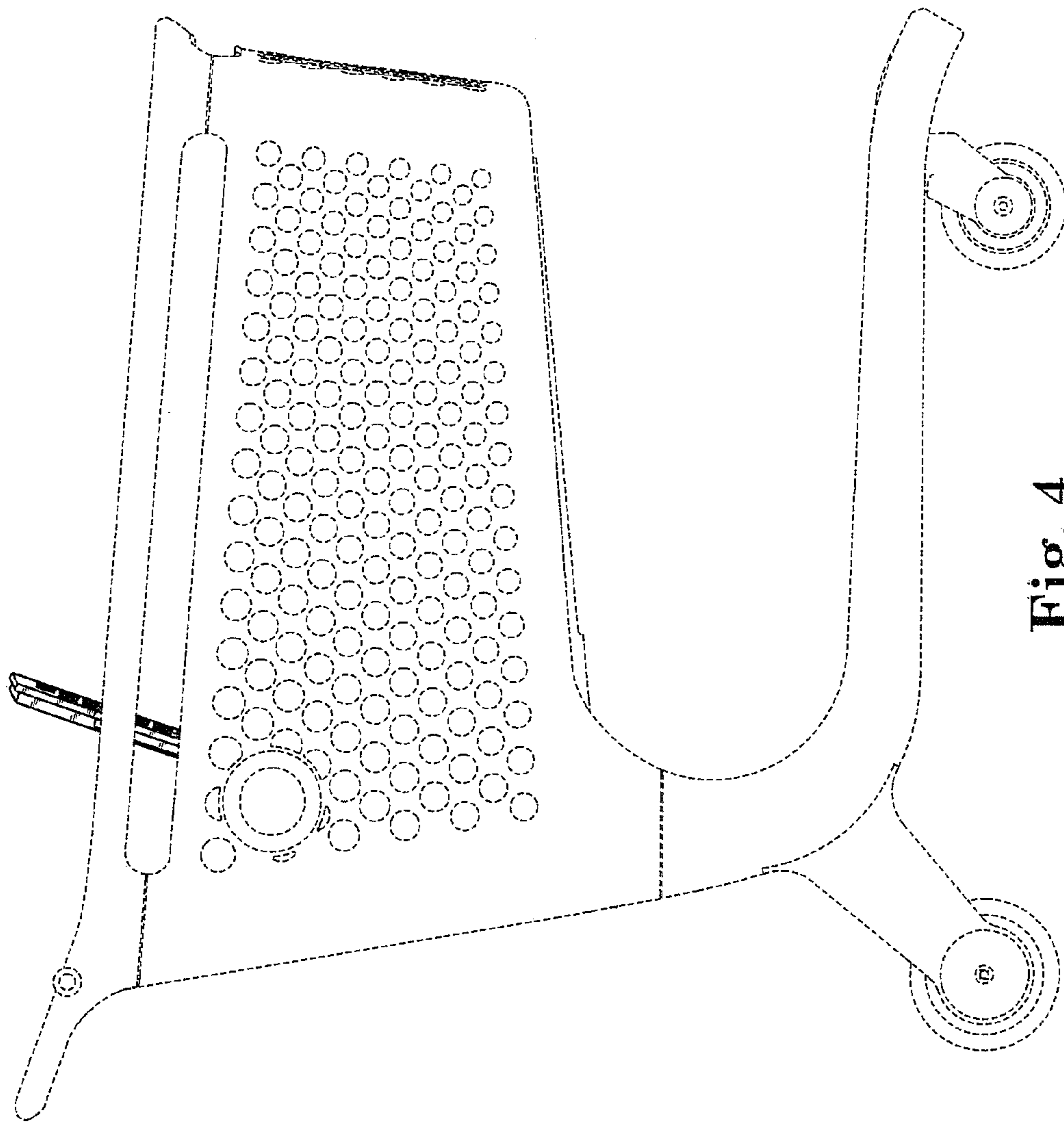


Fig. 4

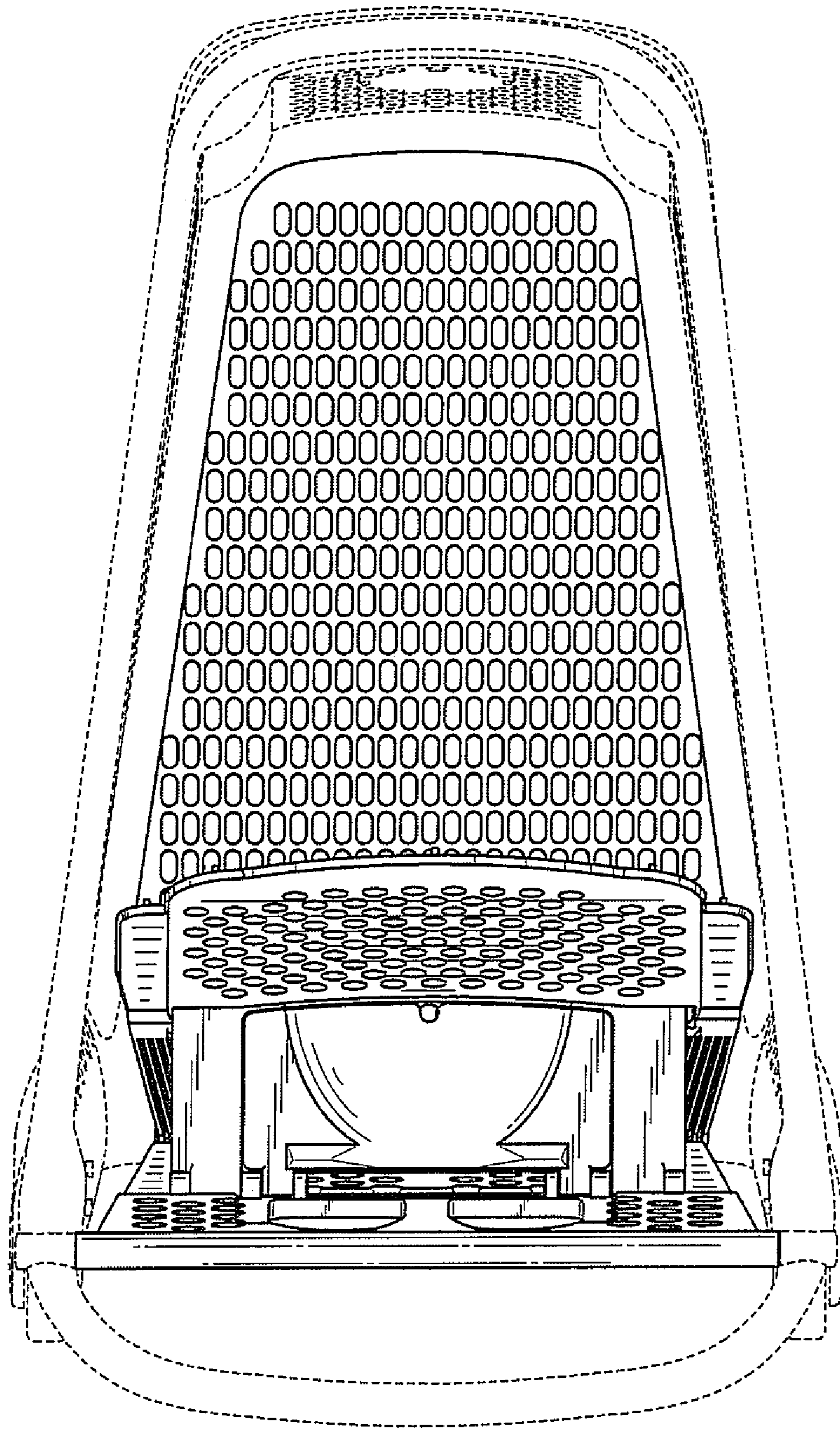


Fig. 5

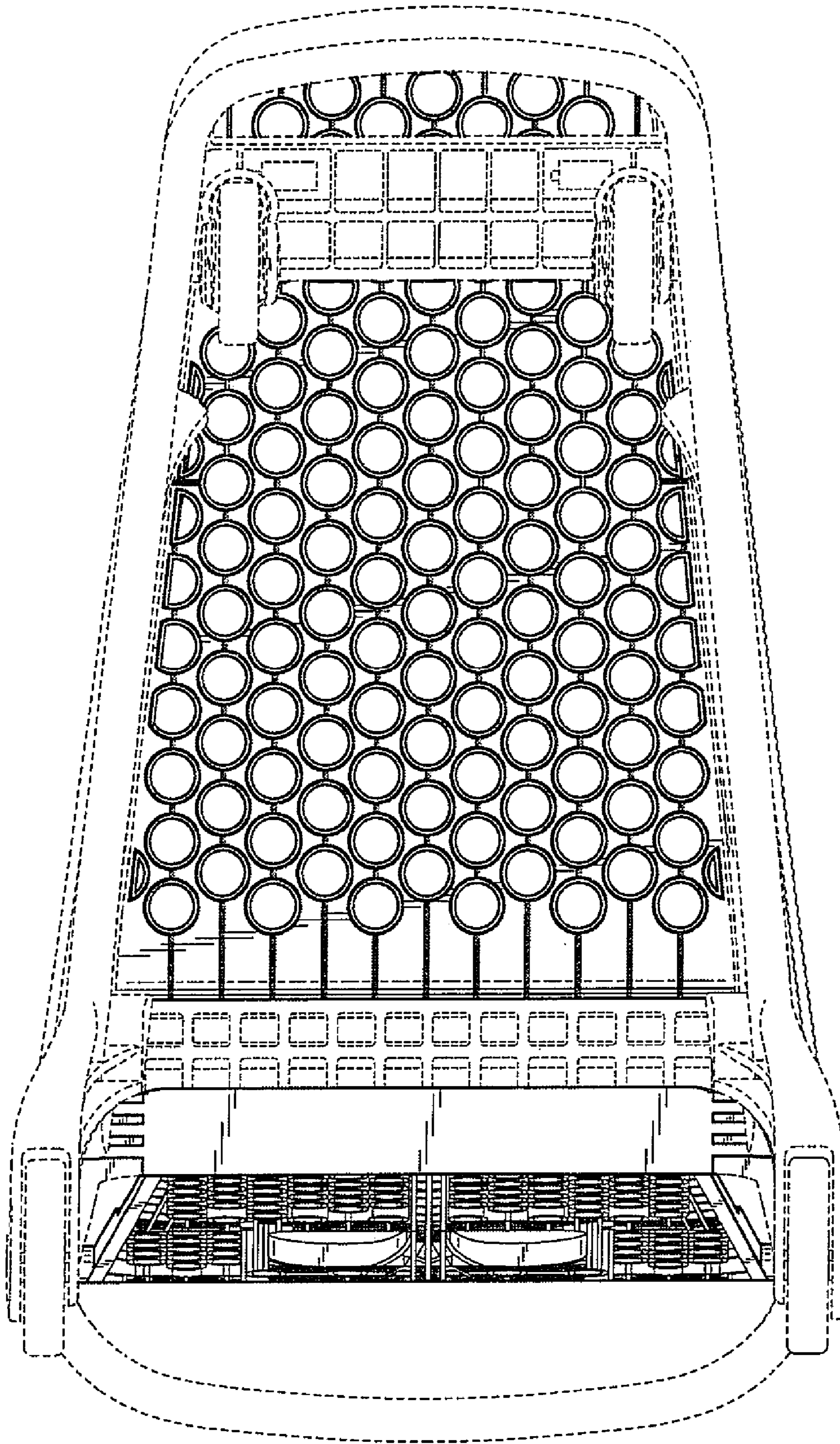


Fig. 6