



US00D556403S

(12) **United States Design Patent**
Hinder et al.

(10) **Patent No.:** **US D556,403 S**

(45) **Date of Patent:** **** Nov. 27, 2007**

(54) **FLOOR SCRUBBING BRUSH ADAPTED FOR USE ON A FLOOR SCRUBBING MACHINE**

D464,181 S * 10/2002 Ng D32/40

(75) Inventors: **Walter Hinder**, Bronschhofen (CH);
Heinrich-Tito Mayer, Jonschwil (CH);
Daniel Meier, Wängi (CH)

* cited by examiner

Primary Examiner—Stella M. Reid
Assistant Examiner—Kathleen Sims
(74) *Attorney, Agent, or Firm*—Gregory S. Bollis

(73) Assignee: **JohnsonDiversey, Inc.**, Sturtevant, WI (US)

(57) **CLAIM**

(**) Term: **14 Years**

We claim the ornamental design for a floor scrubbing brush adapted for use on a floor scrubbing machine, as shown and described.

(21) Appl. No.: **29/245,219**

(22) Filed: **Dec. 20, 2005**

DESCRIPTION

(51) **LOC (8) Cl.** **15-05**

FIG. 1 is a perspective view of a floor scrubbing brush adapted for use on a floor scrubbing machine.

(52) **U.S. Cl.** **D32/25**

FIG. 2 is a side view of the floor scrubbing brush shown in FIG. 1.

(58) **Field of Classification Search** D32/1,
D32/15, 16, 19, 20, 25, 21, 22, 40, 35, 50-52;
15/208, 228, 231, 229.2-229.4, 320-323,
15/353

FIG. 3 is a bottom view of the floor scrubbing brush shown in FIG. 1.

See application file for complete search history.

FIG. 4 is a front elevation view of the floor scrubbing brush shown in FIG. 1; and,

FIG. 5 is a top perspective view of the floor scrubbing brush shown in FIG. 1.

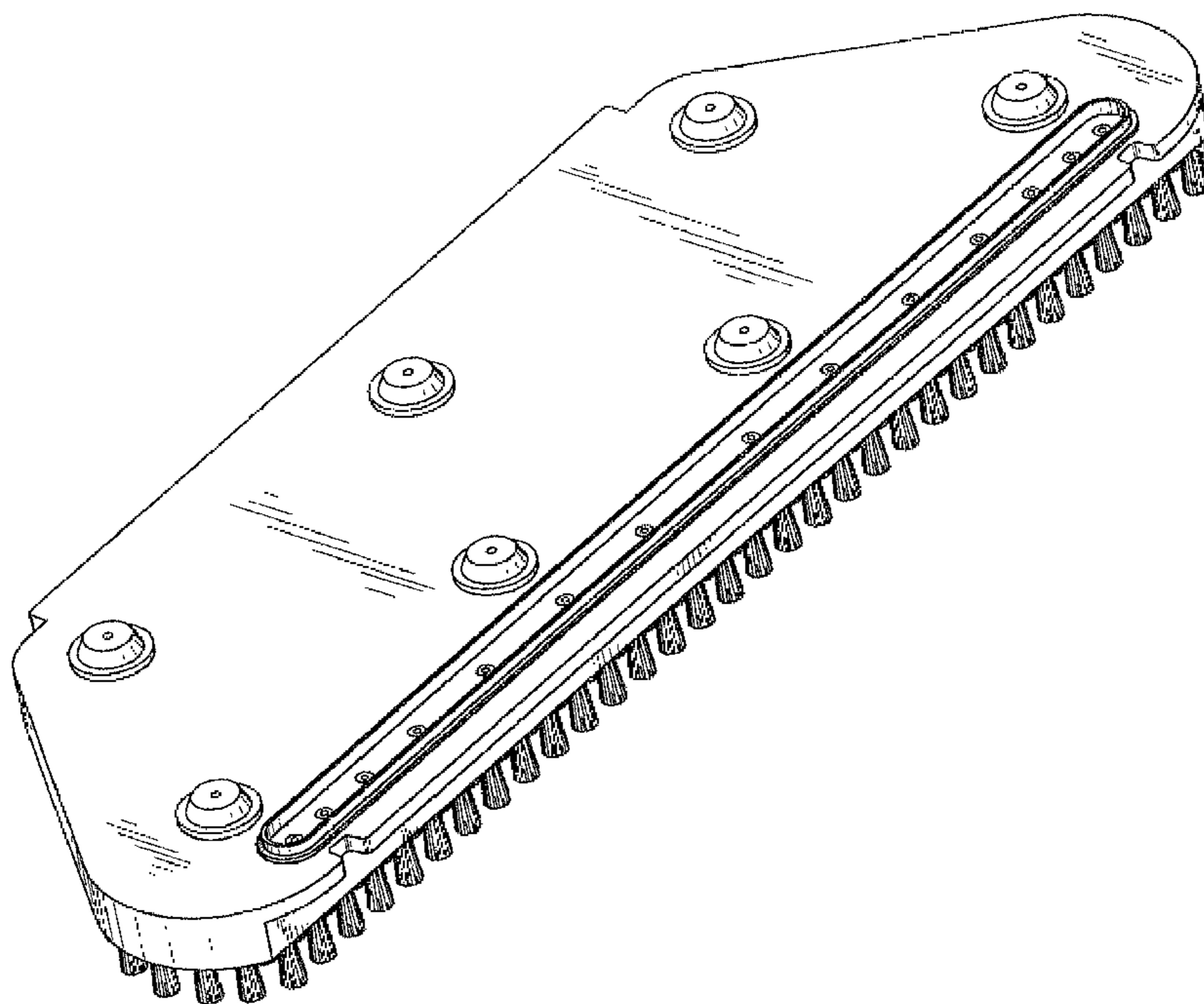
The present application is directed to the shape and contour of a floor scrubbing brush adapted for use on a floor scrubbing machine of the design illustrated in the drawing. The broken line showing of a person on a floor scrubbing machine is included for the purpose of illustrating environmental structure and forms no part of the claimed design.

(56) **References Cited**

U.S. PATENT DOCUMENTS

168,063	A	*	9/1875	Taylor	220/62
D250,245	S	*	11/1978	Bebb	D32/50
4,823,427	A	*	4/1989	Gibbs et al.	15/247
5,292,582	A	*	3/1994	Gibbs et al.	442/329
D445,227	S	*	7/2001	Tintelnot	D32/40
D461,028	S	*	7/2002	Ng	D32/40
D461,029	S	*	7/2002	Ng	D32/40

1 Claim, 5 Drawing Sheets



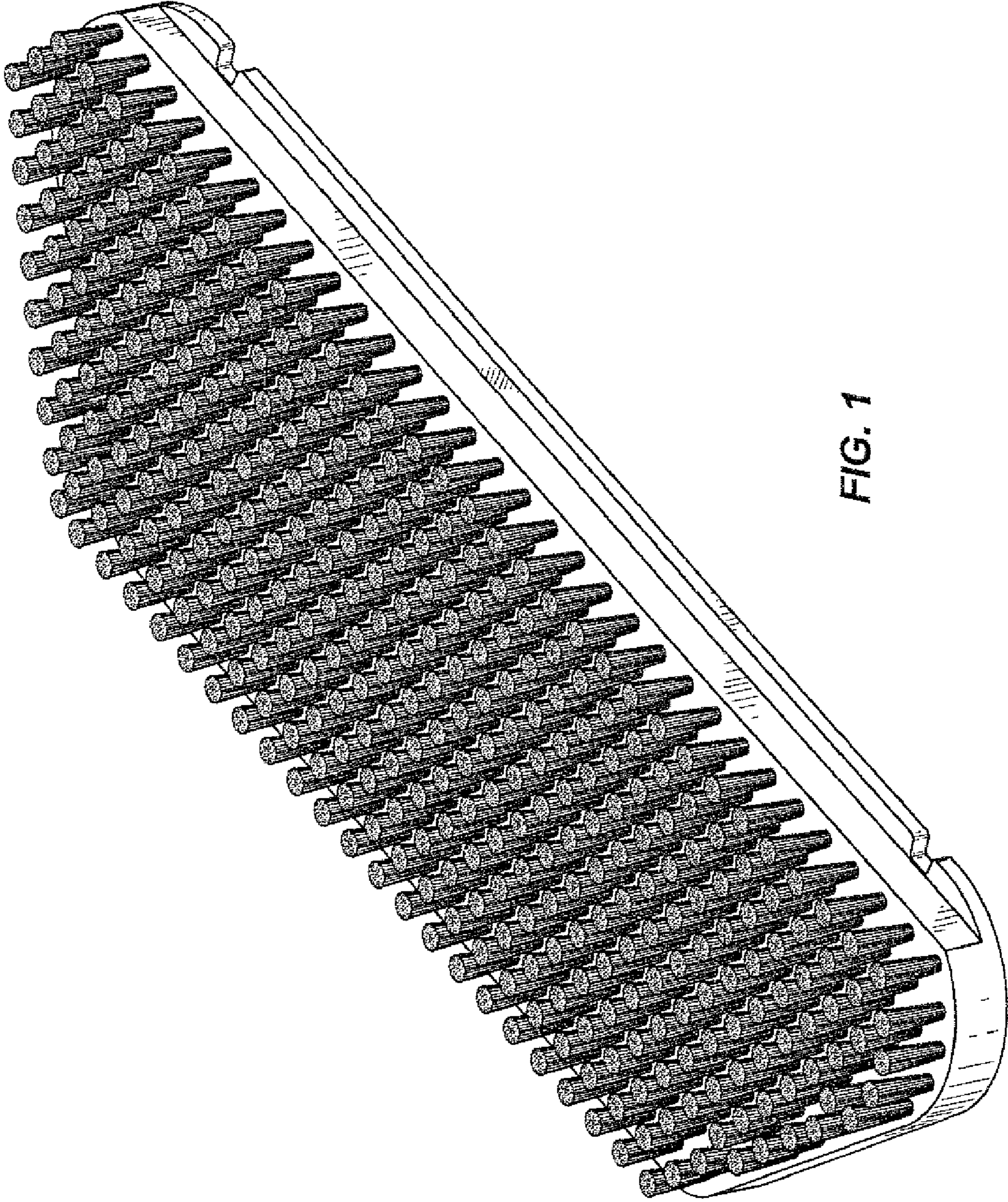


FIG. 1

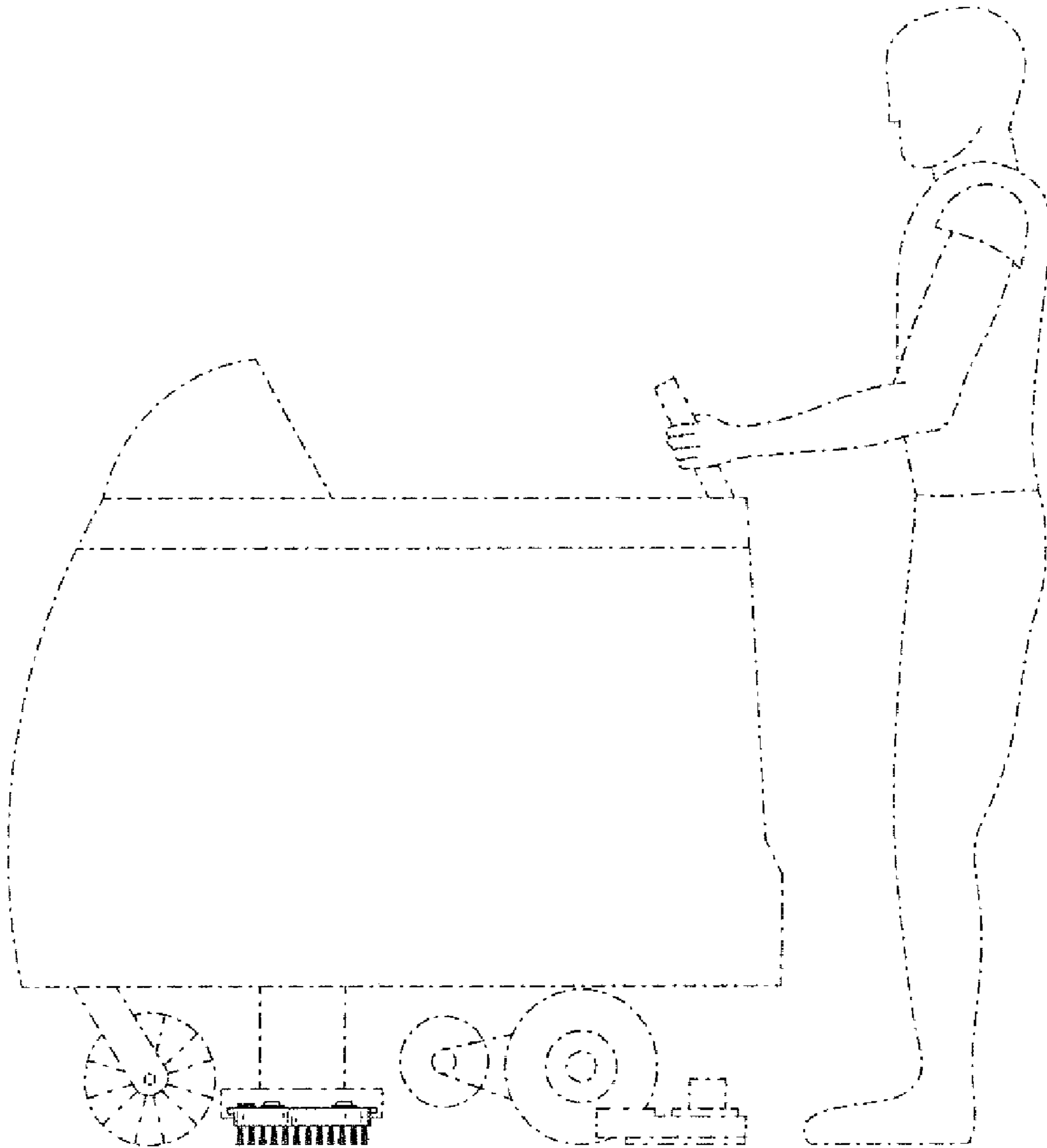


FIG. 2

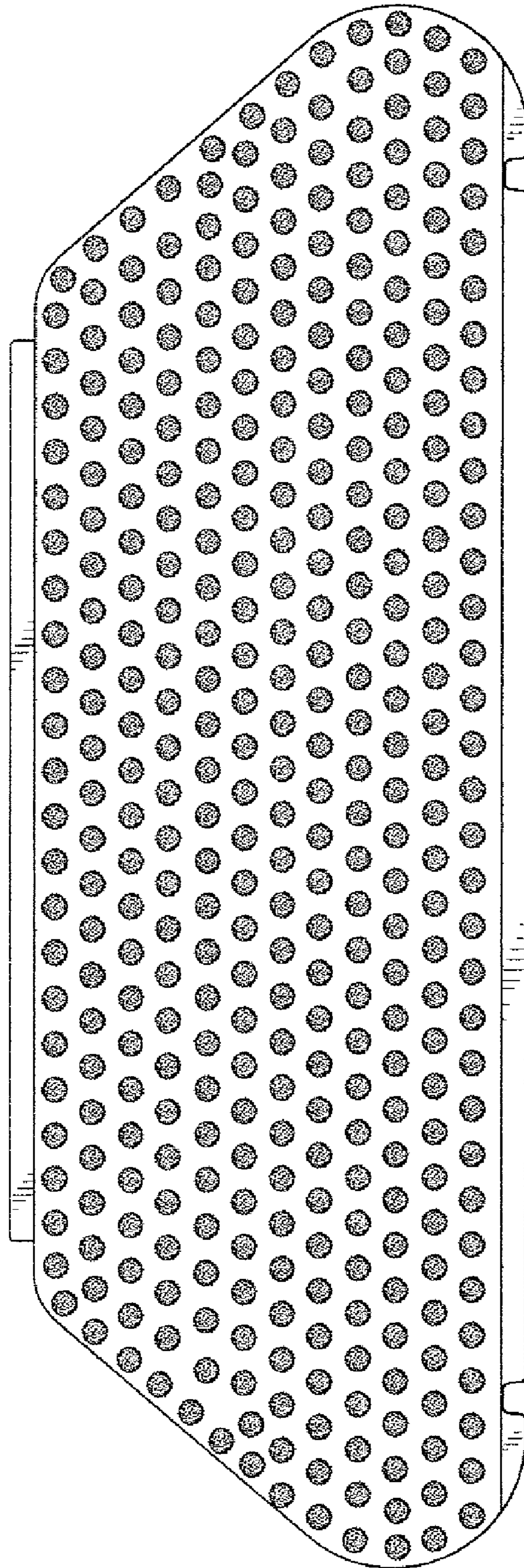


FIG. 3

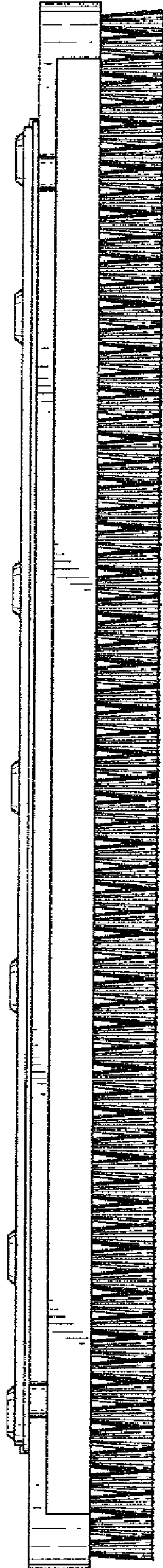


FIG. 4

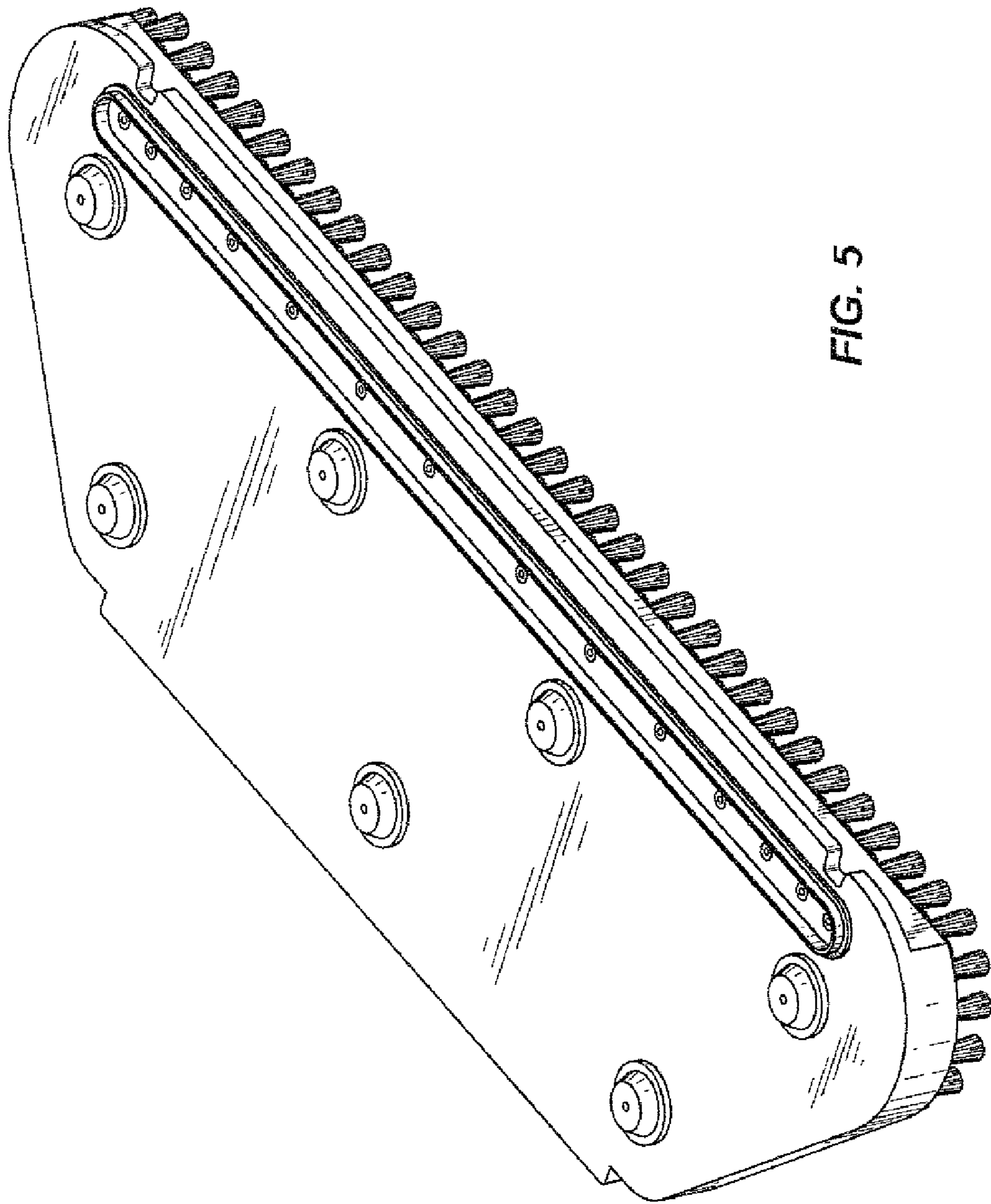


FIG. 5