

US00D556401S

(12) **United States Design Patent**
Lee

(10) **Patent No.:** **US D556,401 S**

(45) **Date of Patent:** **** Nov. 27, 2007**

(54) **VACUUM CLEANER**

D518,928 S * 4/2006 Chiba D32/22
D536,847 S * 2/2007 Shin D32/22

(75) Inventor: **Young Seok Lee**, Seoul (KR)

* cited by examiner

(73) Assignee: **Samsung Electronics Co., Ltd.**, Suwon (KR)

Primary Examiner—Ruth McInroy

(74) *Attorney, Agent, or Firm*—Ladas & Parry LLP

(**) Term: **14 Years**

(57) **CLAIM**

(21) Appl. No.: **29/268,460**

I claim the ornamental design for a vacuum cleaner, as shown and described.

(22) Filed: **Nov. 7, 2006**

(51) **LOC (8) Cl.** **15-05**

(52) **U.S. Cl.** **D32/22**

(58) **Field of Classification Search** D32/21–22,
D32/31, 34; 15/328–329, 320–321, 323,
15/257.01, 347, 350–353, 361, 363, 366,
15/410–412, 414, 415.1, 335, 327.1

See application file for complete search history.

DESCRIPTION

FIG. 1 is a front/left-side/top perspective view of a vacuum cleaner showing our new design;

FIG. 2 is a front elevational view thereof;

FIG. 3 is a rear elevational view thereof;

FIG. 4 is a left-side elevational view thereof;

FIG. 5 is a right-side elevational view thereof;

FIG. 6 is a top plan view thereof; and,

FIG. 7 is a bottom plan view thereof.

(56) **References Cited**

U.S. PATENT DOCUMENTS

D301,649 S * 6/1989 Yamamoto et al. D32/22
D399,618 S * 10/1998 Jacobs D32/22

1 Claim, 6 Drawing Sheets

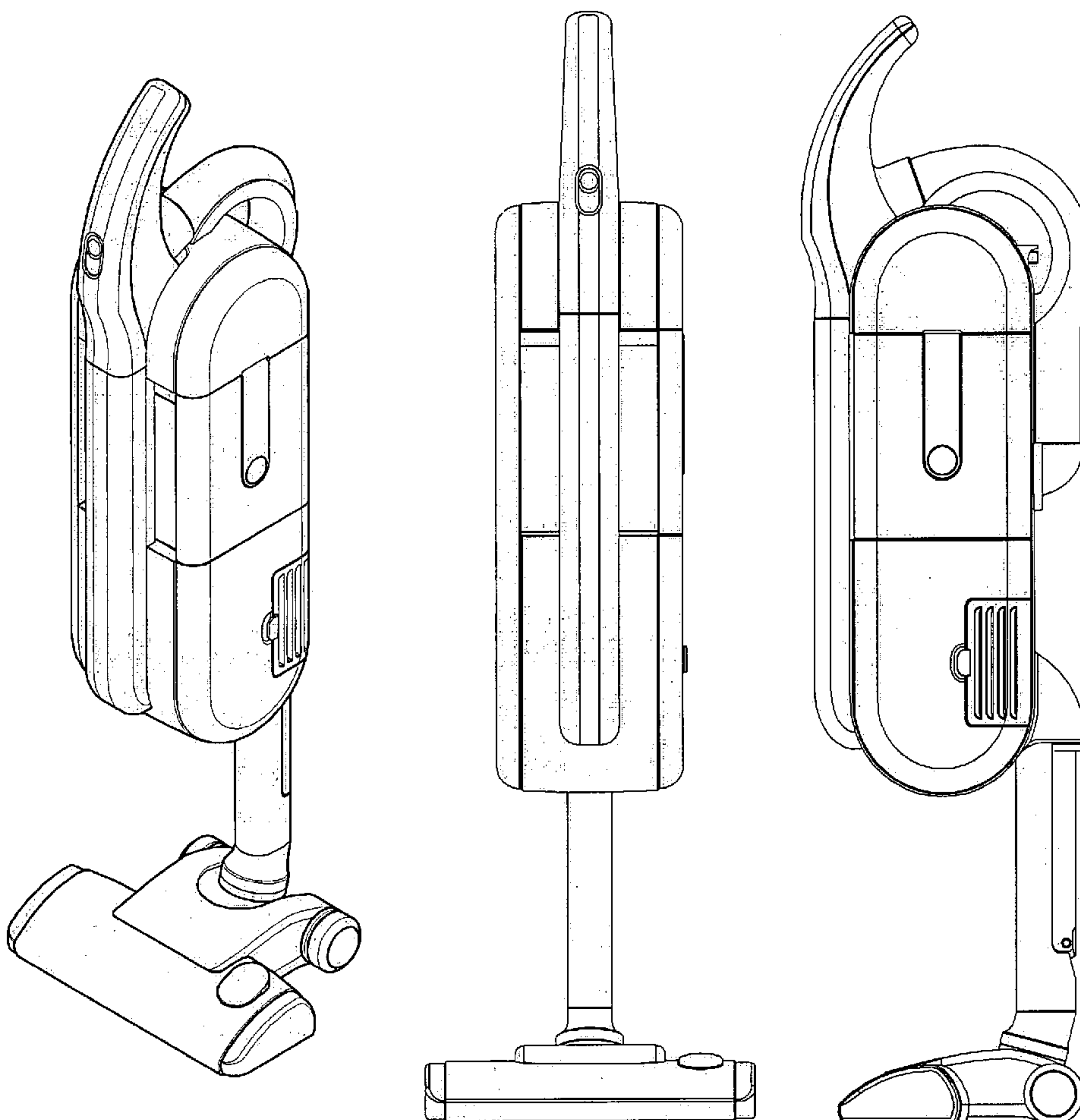


FIG. 1

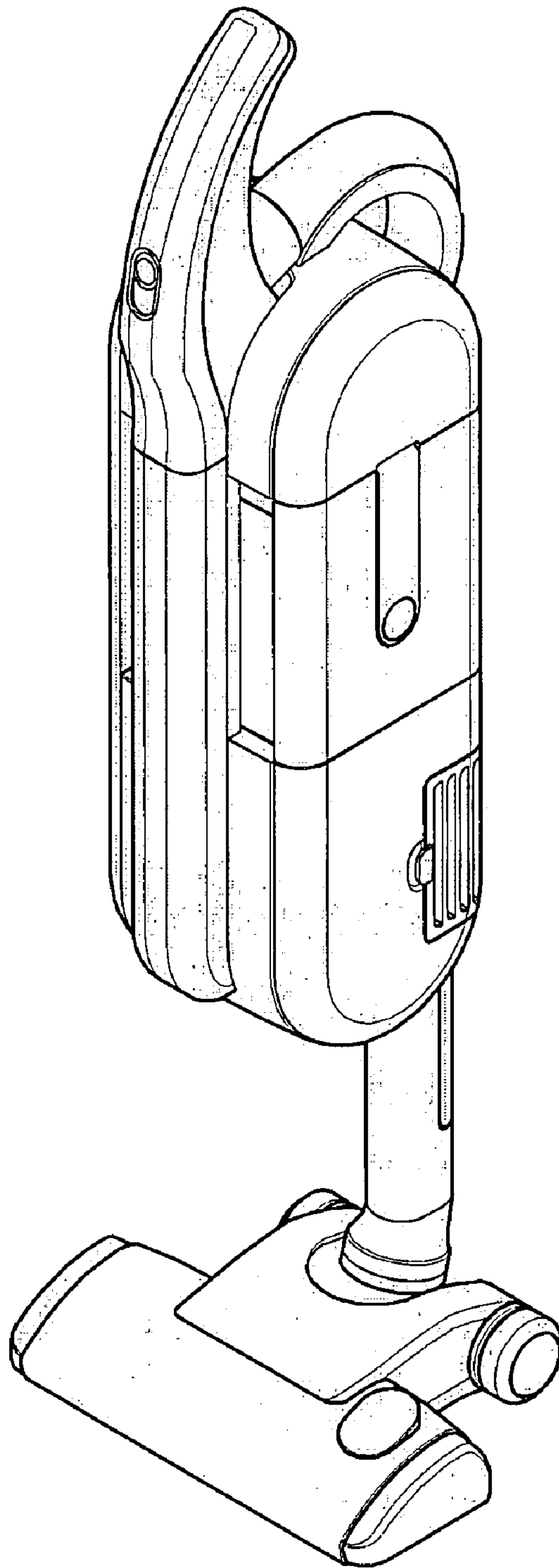


FIG. 2

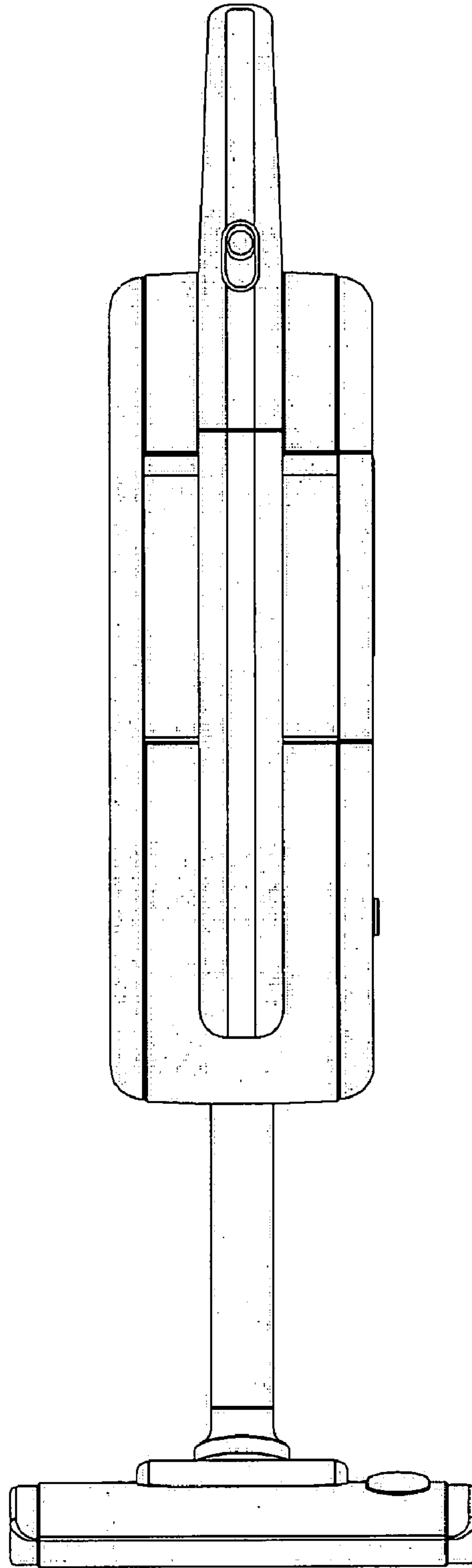


FIG. 3

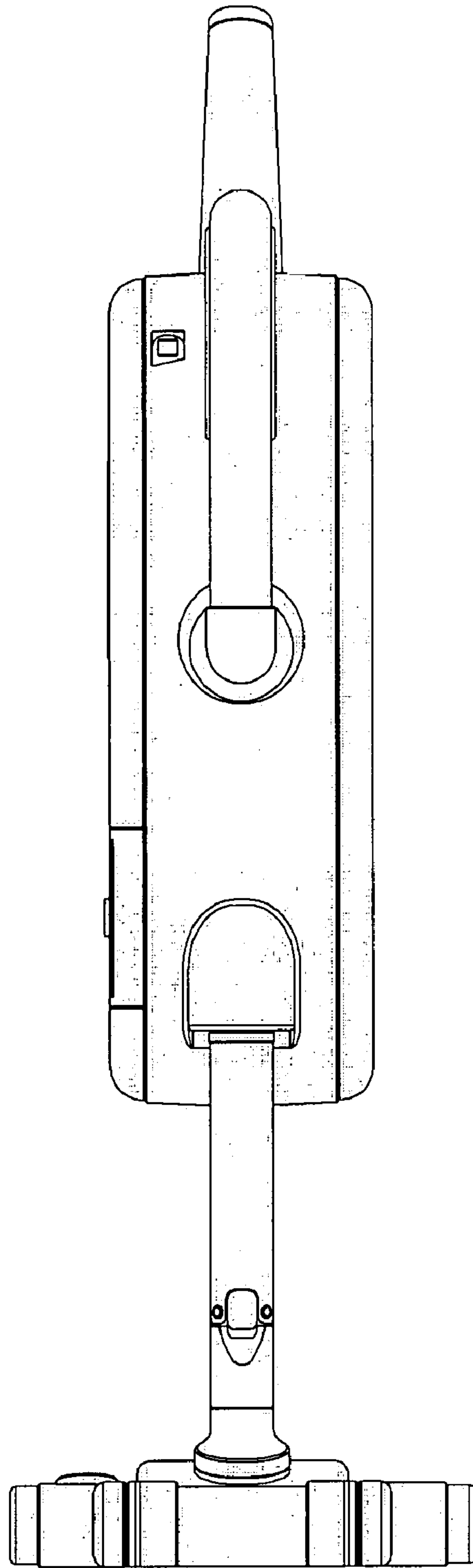


FIG. 4

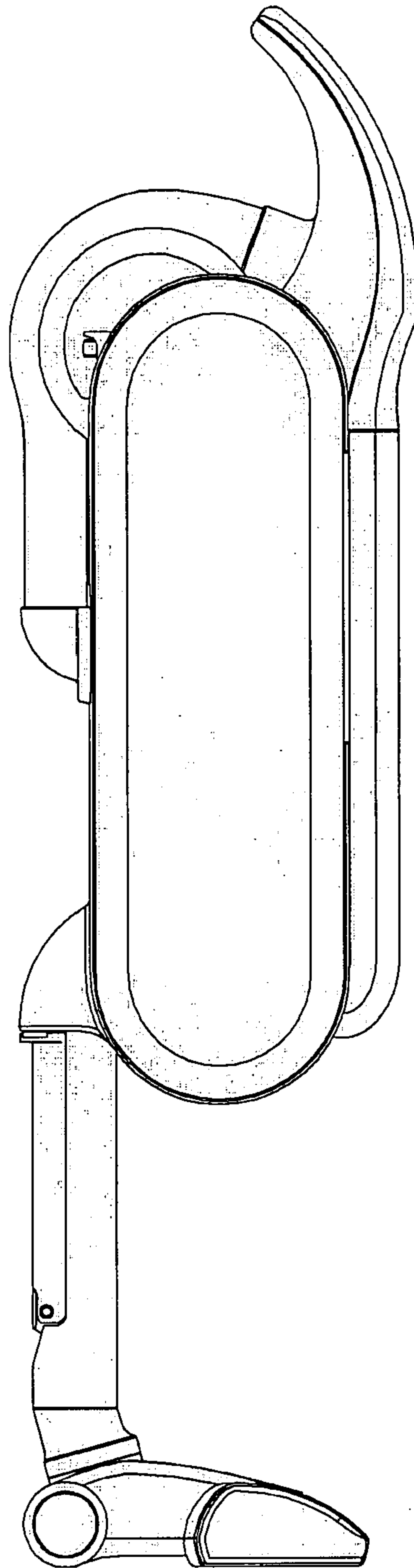


FIG. 5

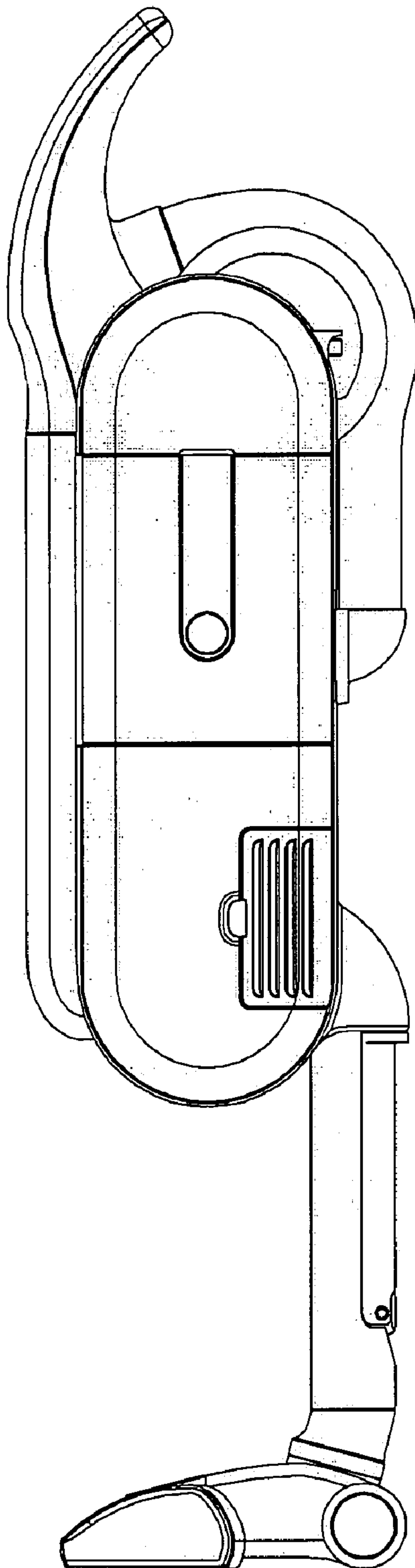


FIG. 6

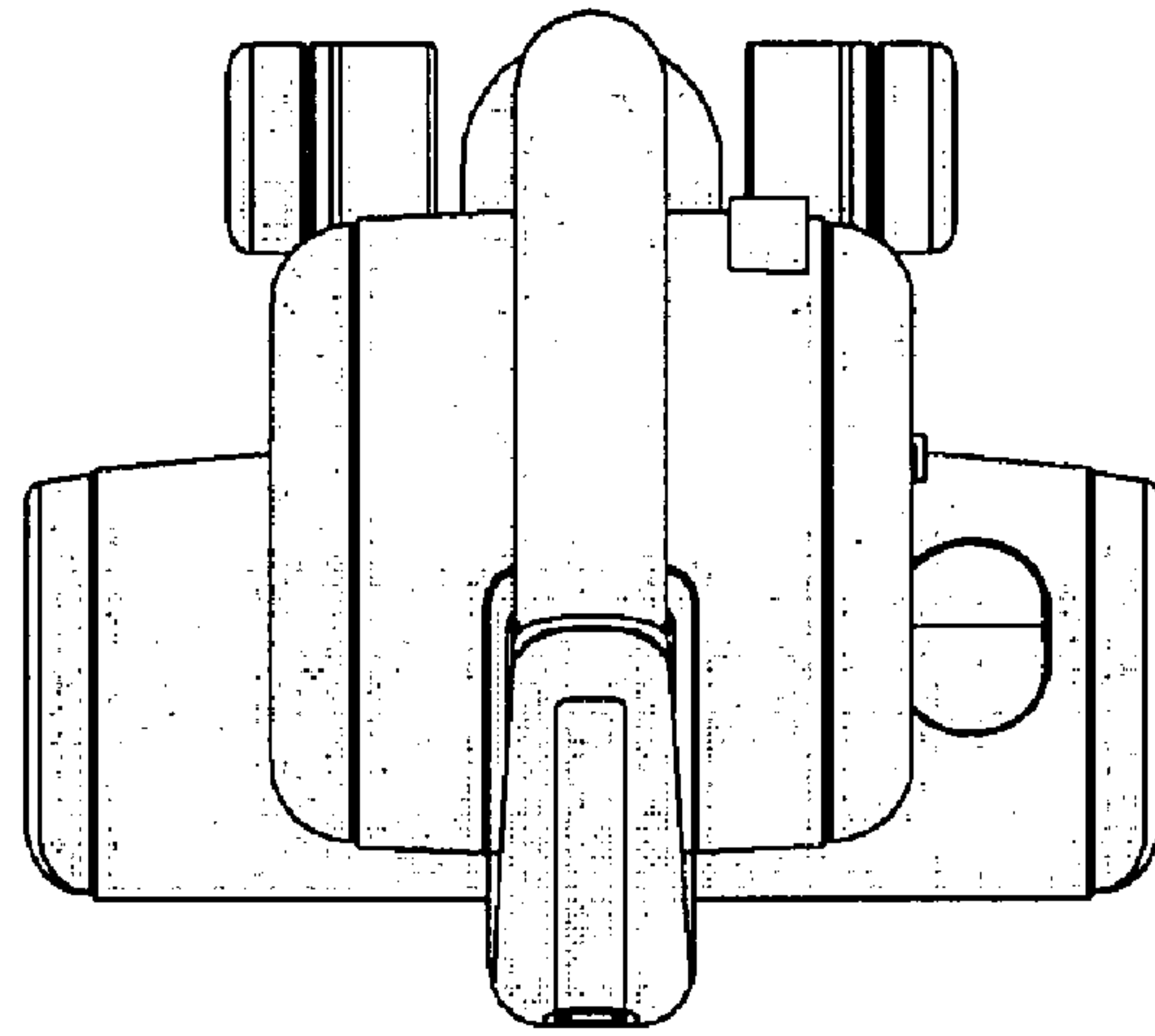


FIG. 7

