



US00D556396S

(12) **United States Design Patent**  
**Mah et al.**

(10) **Patent No.:** **US D556,396 S**

(45) **Date of Patent:** **\*\* Nov. 27, 2007**

(54) **POOL VACUUM**

(75) Inventors: **Pat Y. Mah**, Kowloon (HK);  
**Alexander Joseph Kalogroulis**,  
Coulsdon (GB); **Matthew Edward**  
**White**, Balcombe (GB)

(73) Assignee: **Daka Research, Inc. (Br. Virg. Isl**  
**Corp.) Offshore Incorporations**,  
Tortolla (VG)

(\*\*) Term: **14 Years**

(21) Appl. No.: **29/268,724**

(22) Filed: **Nov. 9, 2006**

(51) **LOC (8) Cl.** ..... **15-05**

(52) **U.S. Cl.** ..... **D32/18**

(58) **Field of Classification Search** ..... D32/17,  
D32/18, 21-22, 31; 15/1.52, 1.7, 4, 329,  
15/339, 344, 347, 350-353, 361, 410-412,  
15/414, DIG. 1; 55/DIG. 3; D13/107-109,  
D13/119; 320/115; 210/241, 94, 238, 416.2;  
137/565.23; 134/168 R

See application file for complete search history.

(56) **References Cited**

**U.S. PATENT DOCUMENTS**

4,962,559 A \* 10/1990 Schuman ..... 15/1.7  
D373,230 S \* 8/1996 Sebor et al. .... D32/1  
6,797,157 B2 \* 9/2004 Erlich ..... 210/94  
D518,253 S \* 3/2006 Erlich et al. .... D32/18

D522,191 S \* 5/2006 Erlich ..... D32/18  
7,178,188 B1 \* 2/2007 Jaakola ..... 15/1.7  
2006/0085929 A1 \* 4/2006 Deklinski ..... 15/1.7  
2006/0265820 A1 \* 11/2006 Erlich et al. .... 15/1.7

**OTHER PUBLICATIONS**

Pool & Spa Cordless Vacuum Cleaner [online], Jul. 28, 2005.  
Retrieved from the Internet; <http://www.backyardcitypools.com/automatic-pool-cleaners/WAT-Pool-Buster.htm>.\*

\* cited by examiner

*Primary Examiner*—Ruth McInroy

(74) *Attorney, Agent, or Firm*—Harrington & Harrington;  
Curtis L. Harrington; Kathy E. Harrington

(57) **CLAIM**

We claim the ornamental design for a pool vacuum, as shown and described.

**DESCRIPTION**

FIG. 1 is a front perspective view of the pool vacuum;

FIG. 2 is a rear perspective view;

FIG. 3 is a right side view;

FIG. 4 is a left side view;

FIG. 5 is a bottom view;

FIG. 6 is a top view;

FIG. 7 is a front view; and,

FIG. 8 is a rear view.

**1 Claim, 8 Drawing Sheets**

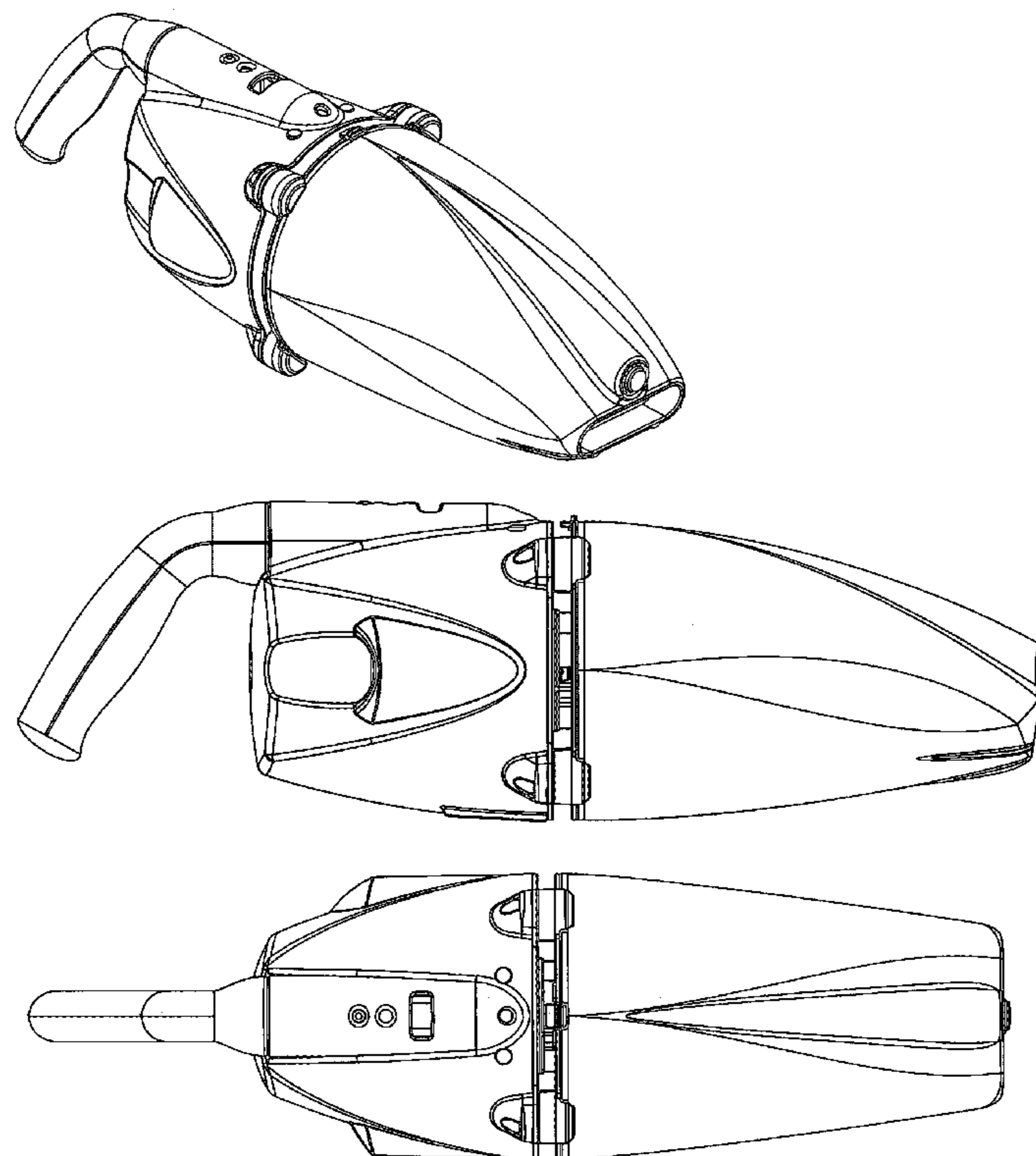
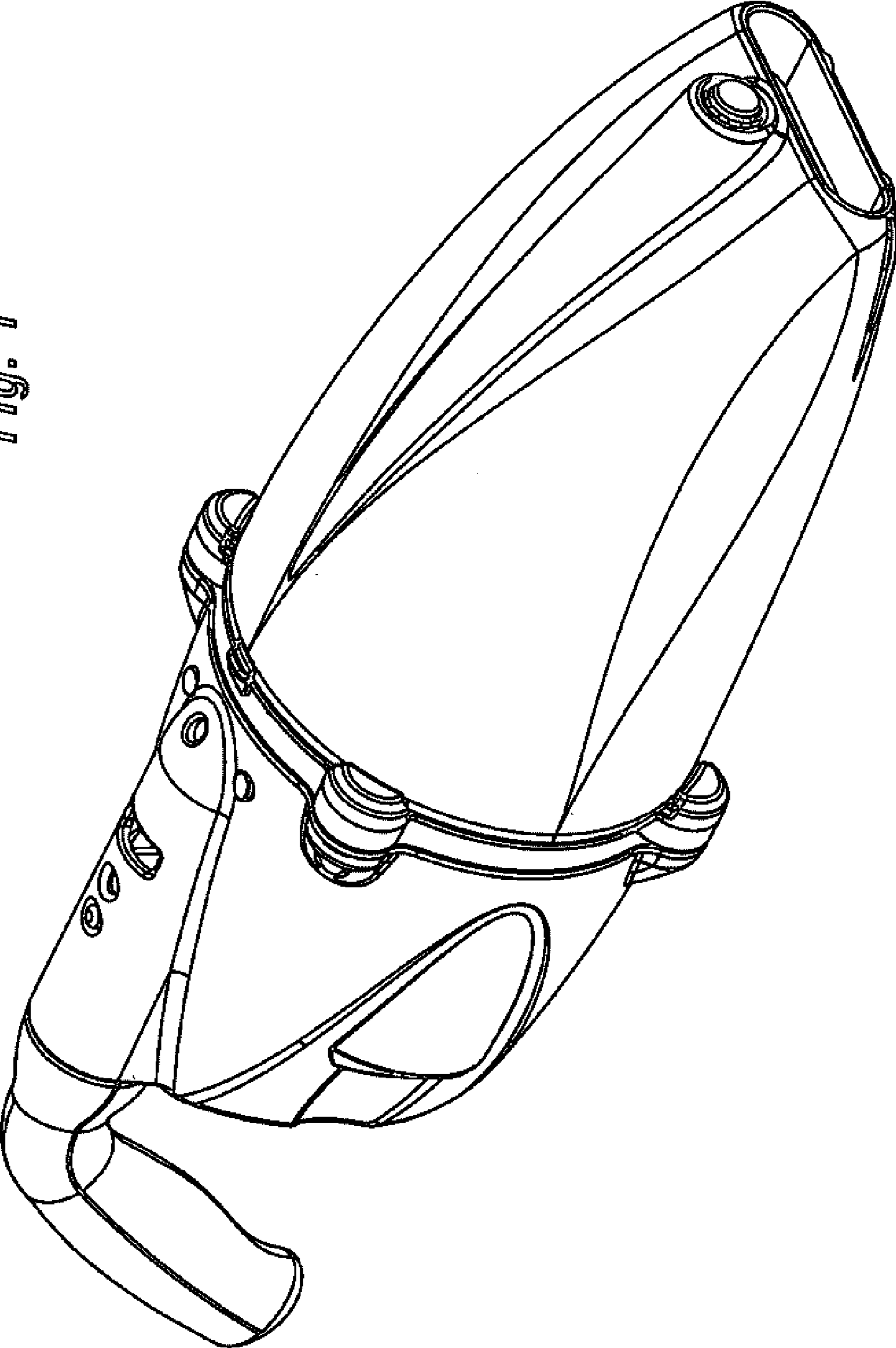


Fig. 1



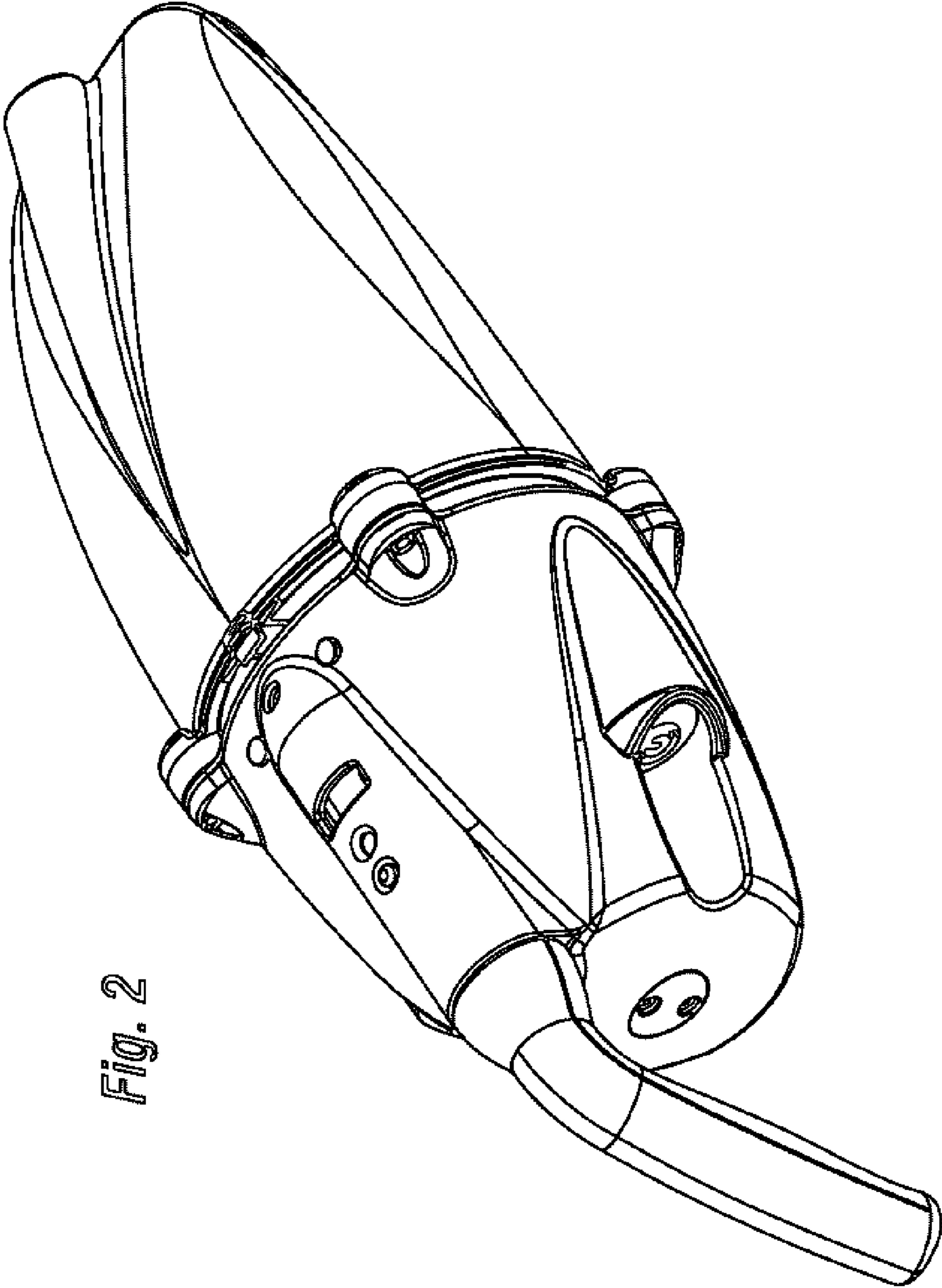
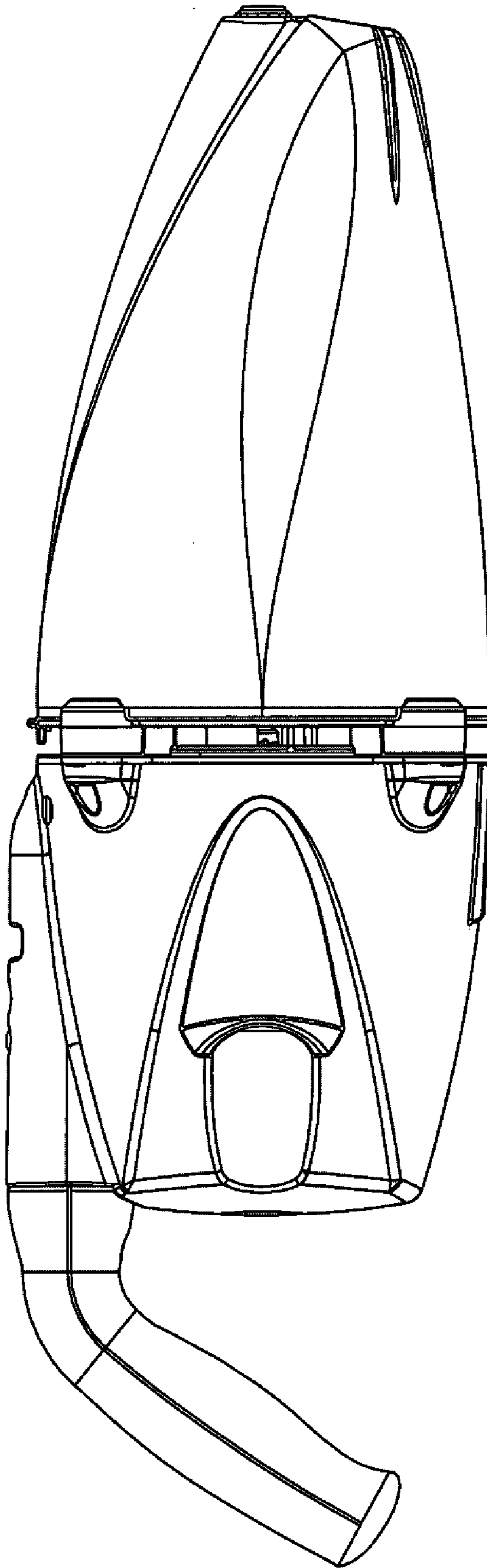


FIG. 2

Fig. 3



*Fig. 4*

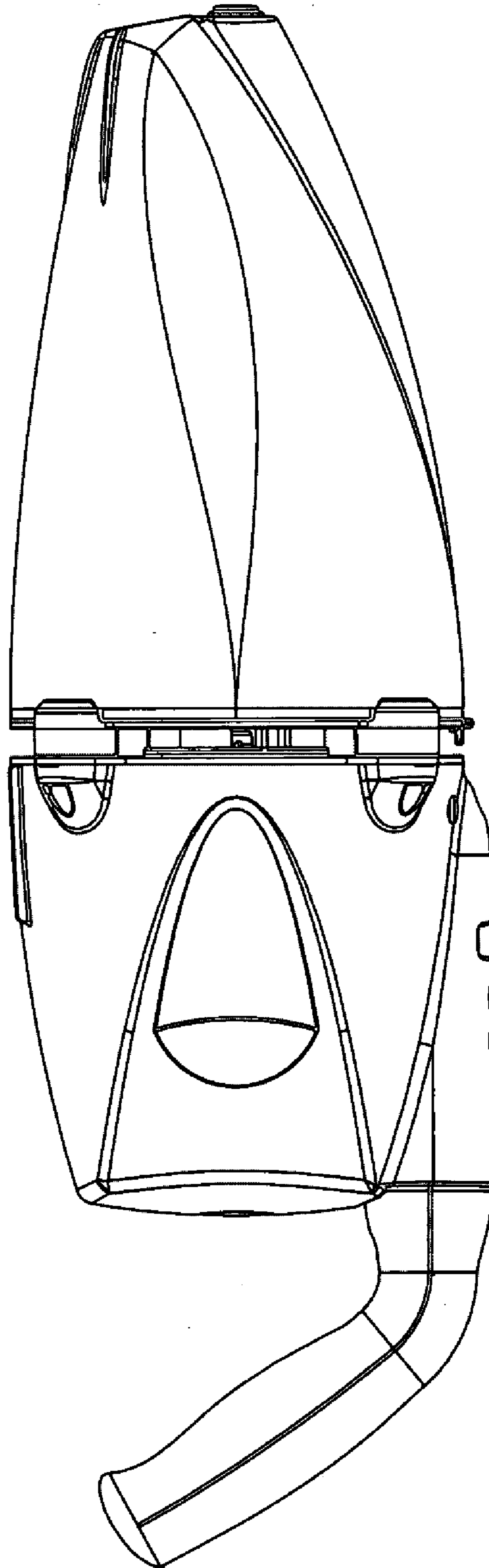


Fig. 5

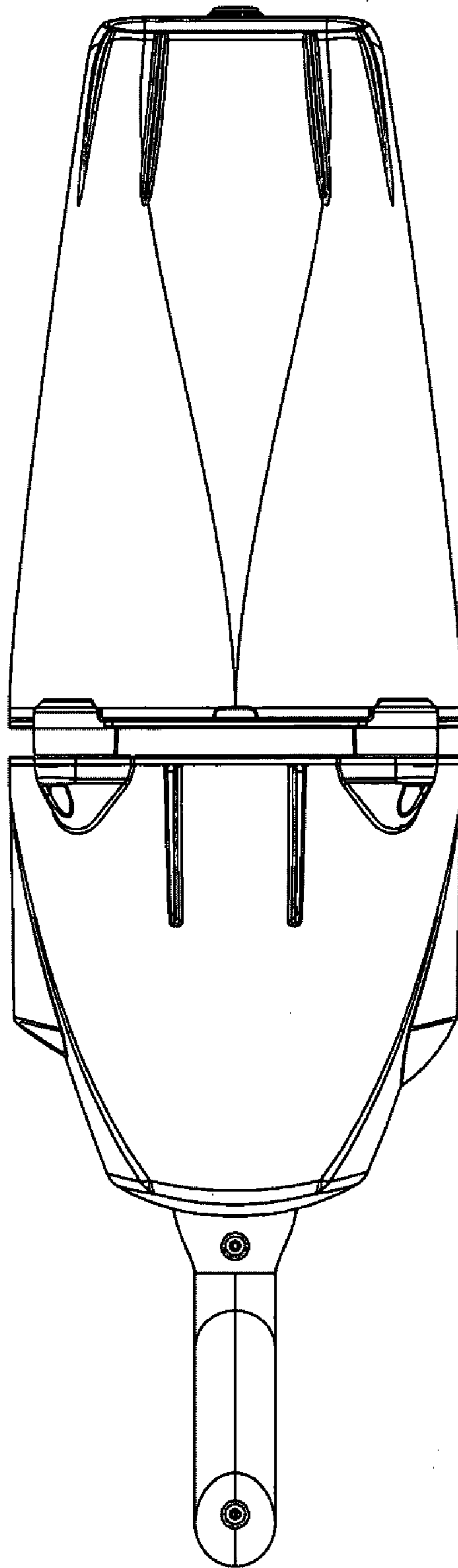
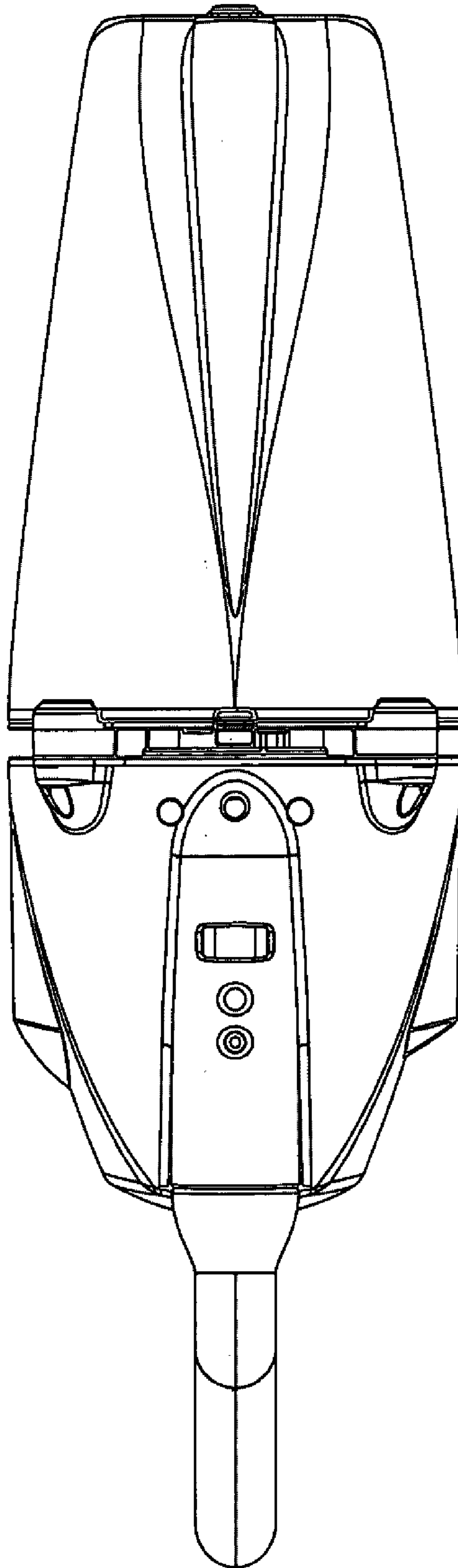
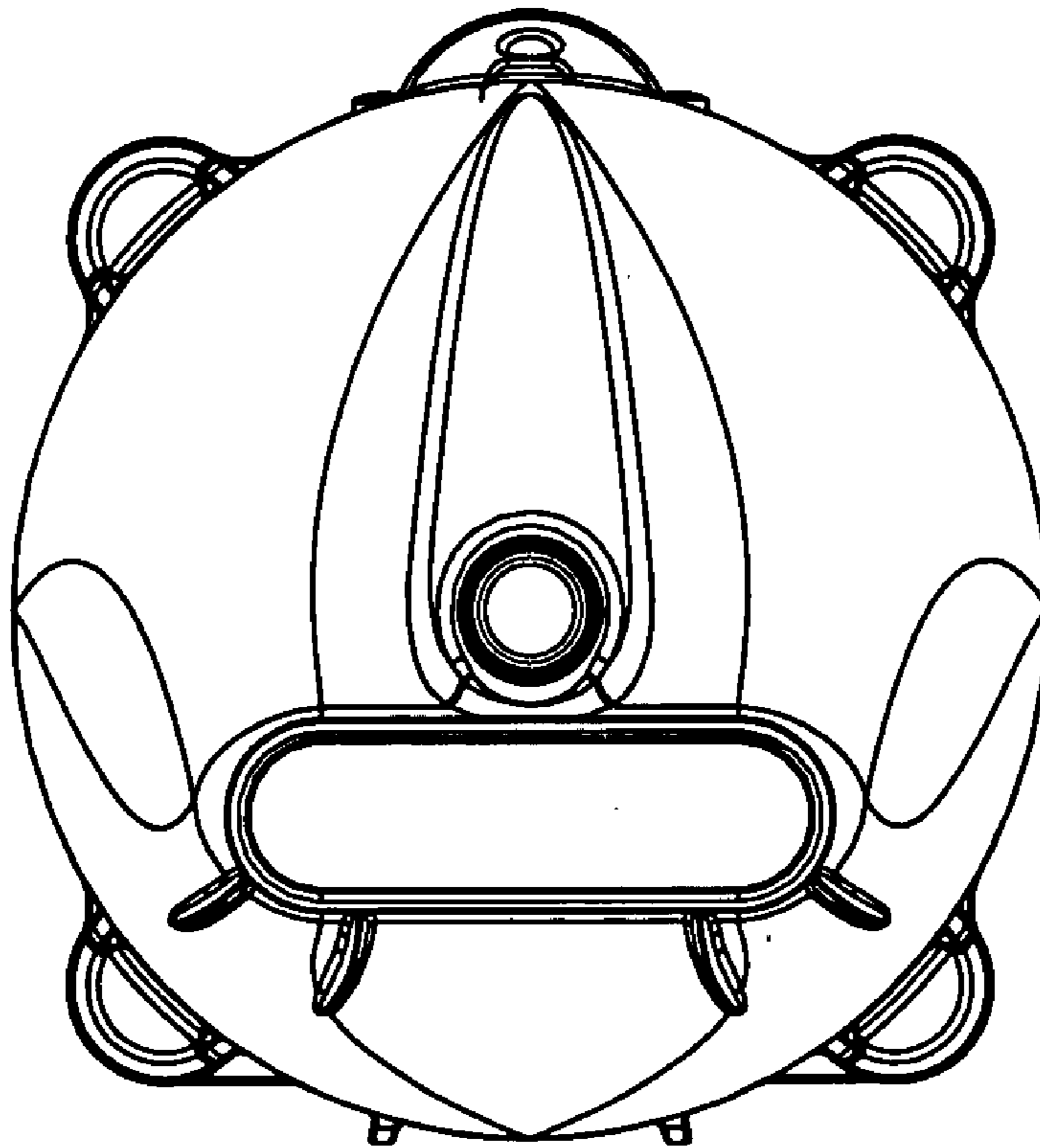


Fig. 6



***Fig. 7***





*Fig. 8*

