



US00D556395S

(12) **United States Design Patent**
Martin et al.

(10) **Patent No.:** **US D556,395 S**
(45) **Date of Patent:** **** Nov. 27, 2007**

- (54) **HOUSING FOR A CONVERTIBLE BLOWER/VACUUM**
- (75) Inventors: **David J. Martin**, Eden Prairie, MN (US); **Chadwick A. Shaffer**, Oakdale, MN (US)
- (73) Assignee: **The Toro Company**, Bloomington, MN (US)

- 5,222,275 A 6/1993 Baker et al.
- 5,245,726 A 9/1993 Rote et al.
- 5,256,032 A 10/1993 Dorsch
- D352,579 S * 11/1994 Baker et al. D32/15
- D358,912 S 5/1995 Baker et al.
- D368,341 S 3/1996 Pink
- 5,511,281 A 4/1996 Webster
- 5,522,115 A 6/1996 Webster

(**) Term: **14 Years**

(Continued)

(21) Appl. No.: **29/270,437**

FOREIGN PATENT DOCUMENTS

GB 324972 2/1930

(22) Filed: **Dec. 22, 2006**

OTHER PUBLICATIONS

(51) **LOC (8) Cl.** **15-05**

(52) **U.S. Cl.** **D32/15**

(58) **Field of Classification Search** D32/1,
D32/15-18, 21, 25, 32, 34; 15/344-345,
15/405, 414; D23/213; 417/236, 363, 423.1,
417/423.3; 239/DIG. 13, DIG. 21
See application file for complete search history.

U.S. Appl. No. 11/645,141, filed Dec. 22, 2006, Shaffer et al.

(Continued)

Primary Examiner—Louis S. Zarfes
Assistant Examiner—Kathleen Sims
(74) *Attorney, Agent, or Firm*—Mueting, Raasch & Gebhardt, P.A.

(56) **References Cited**

U.S. PATENT DOCUMENTS

- 2,024,367 A 12/1935 Eriksson-Jons
- 4,288,886 A 9/1981 Siegler
- 4,290,165 A 9/1981 Hiramatsu et al.
- 4,325,163 A 4/1982 Mattson et al.
- 4,413,371 A 11/1983 Tuggle et al.
- 4,451,951 A 6/1984 Satoh
- D279,319 S 6/1985 McCloskey et al.
- 4,694,528 A 9/1987 Comer et al.
- D299,074 S * 12/1988 Tuggle et al. D32/15
- D299,570 S 1/1989 Kiyooka et al.
- D299,571 S 1/1989 Kiyooka et al.
- 4,870,714 A * 10/1989 Miner 15/327.5
- D304,510 S 11/1989 Baker et al.
- D307,655 S 5/1990 Hinklin et al.
- 4,928,347 A 5/1990 Krasznai et al.
- D310,437 S 9/1990 Gierke et al.
- 4,955,107 A 9/1990 Kawai
- 5,003,662 A 4/1991 Everts
- 5,035,586 A 7/1991 Sadler et al.

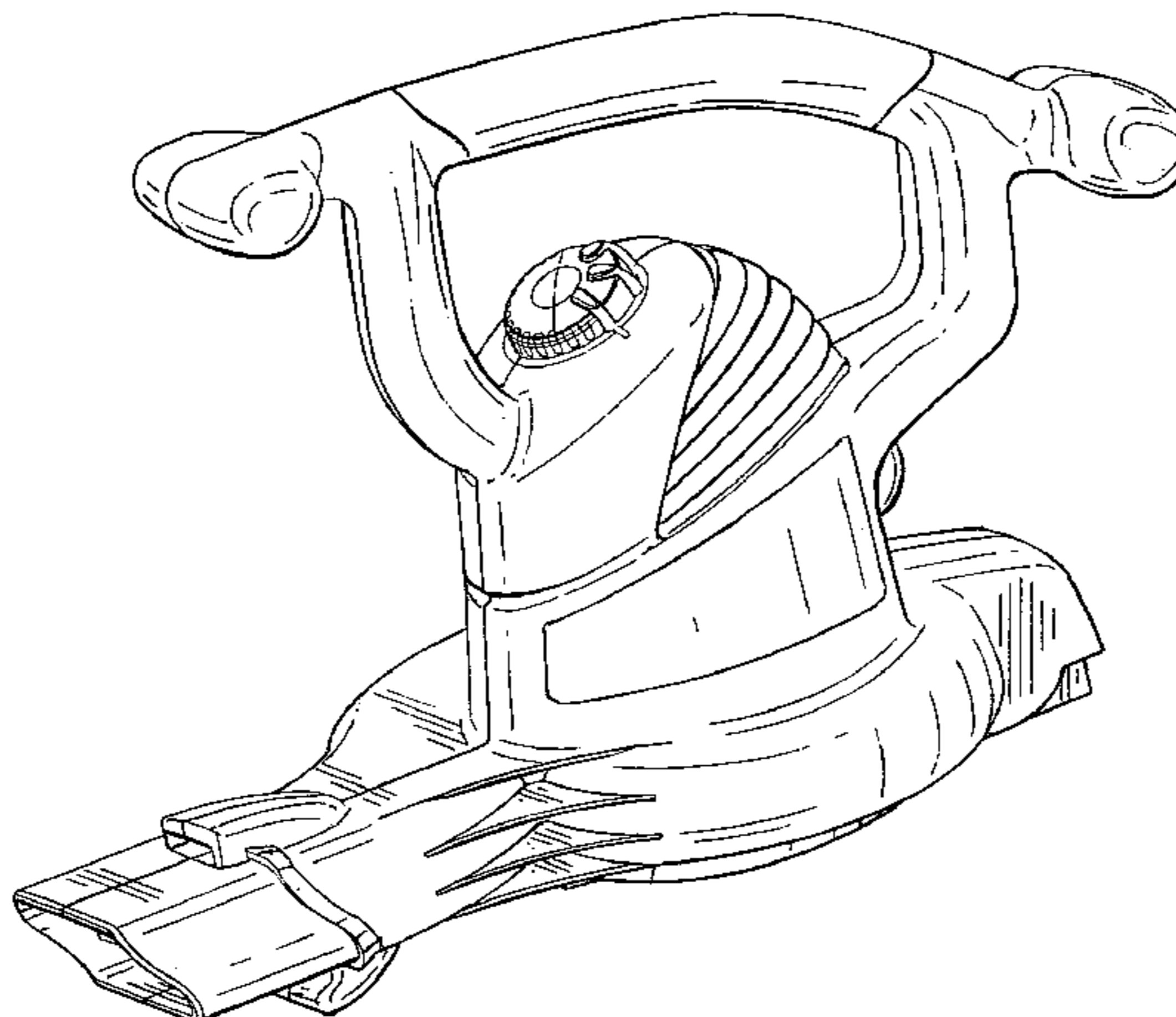
(57) **CLAIM**

The ornamental design for a housing for a convertible blower/vacuum, as shown.

DESCRIPTION

FIG. 1 is a left front perspective view of a housing for a convertible blower/vacuum in accordance with one embodiment of the present invention;
FIG. 2 is a front elevational view thereof;
FIG. 3 is a right side elevational view thereof;
FIG. 4 is a left side elevational view thereof;
FIG. 5 is a rear elevational view thereof;
FIG. 6 is a top plan view thereof; and,
FIG. 7 is a bottom plan view thereof.

1 Claim, 7 Drawing Sheets



US D556,395 S

Page 2

U.S. PATENT DOCUMENTS

5,535,479	A	7/1996	Pink et al.	6,003,199	A	12/1999	Shaffer
5,560,078	A	10/1996	Toensing et al.	RE36,627	E	3/2000	Pink et al.
D375,822	S	11/1996	Lessig, III et al.	6,059,541	A	5/2000	Beckey et al.
5,588,178	A	12/1996	Liu	D426,354	S	6/2000	Ohi et al.
5,604,954	A	2/1997	Webster et al.	D431,697	S	* 10/2000	Hayakawa et al. D32/15
5,638,574	A	6/1997	Haupt et al.	6,158,082	A	12/2000	Beckey et al.
5,659,920	A	8/1997	Webster et al.	D445,972	S	* 7/2001	Doria D32/17
5,673,457	A	10/1997	Webster et al.	6,324,720	B1	12/2001	Beckey et al.
D386,841	S	11/1997	DeMore et al.	D461,604	S	8/2002	Martin et al.
5,689,852	A	11/1997	Svoboda et al.	6,442,790	B1	9/2002	Svoboda et al.
5,692,262	A	12/1997	Haupt et al.	6,622,341	B2	* 9/2003	Jong 15/338
5,701,632	A	12/1997	Webster et al.	6,629,818	B2	10/2003	Svoboda
5,711,048	A	1/1998	Pink et al.	D498,885	S	* 11/2004	Robson D32/15
5,727,283	A	3/1998	Webster	6,834,413	B2	* 12/2004	Sanders et al. 15/405
5,768,743	A	6/1998	Webster				
5,791,568	A	8/1998	Keim				
5,794,864	A	8/1998	Hammett et al.				
D400,322	S	10/1998	Webster et al.				
D405,566	S	2/1999	Webster et al.				
D416,360	S	11/1999	Enkyo et al.				
5,979,013	A	11/1999	Beckey et al.				

OTHER PUBLICATIONS

U.S. Appl. No. 11/645,078, filed Dec. 22, 2006, Shaffer.
Sears, Roebuck and Co., "Operator's Manual CRAFTSMAN® 1.4 cu. in./24cc 2-Cycle Gasoline Powered Blower/Vac/Mulcher Model No. 358.797931," Hoffman Estates, IL; Aug. 12, 1996:14 Sheets.

* cited by examiner

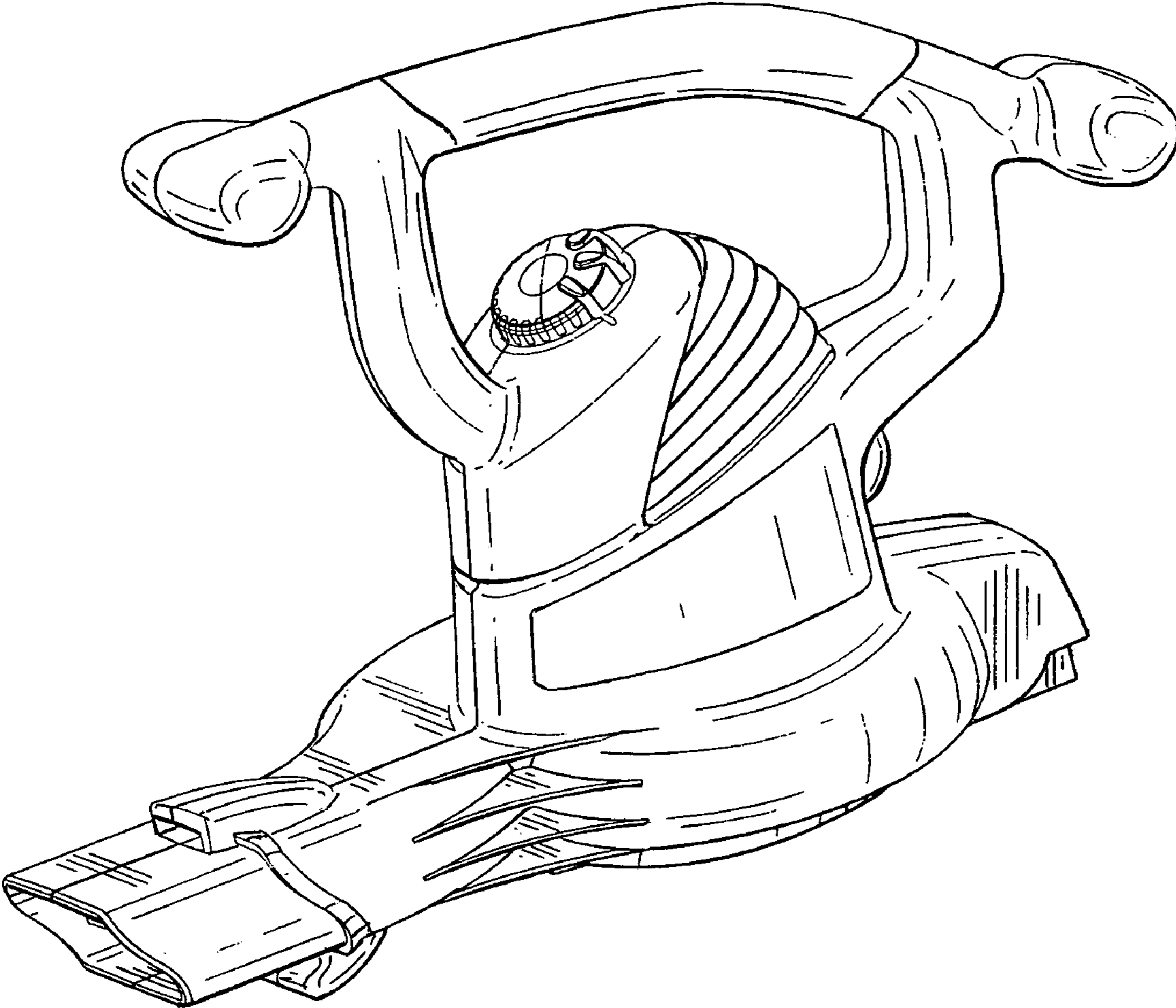


FIG. 1

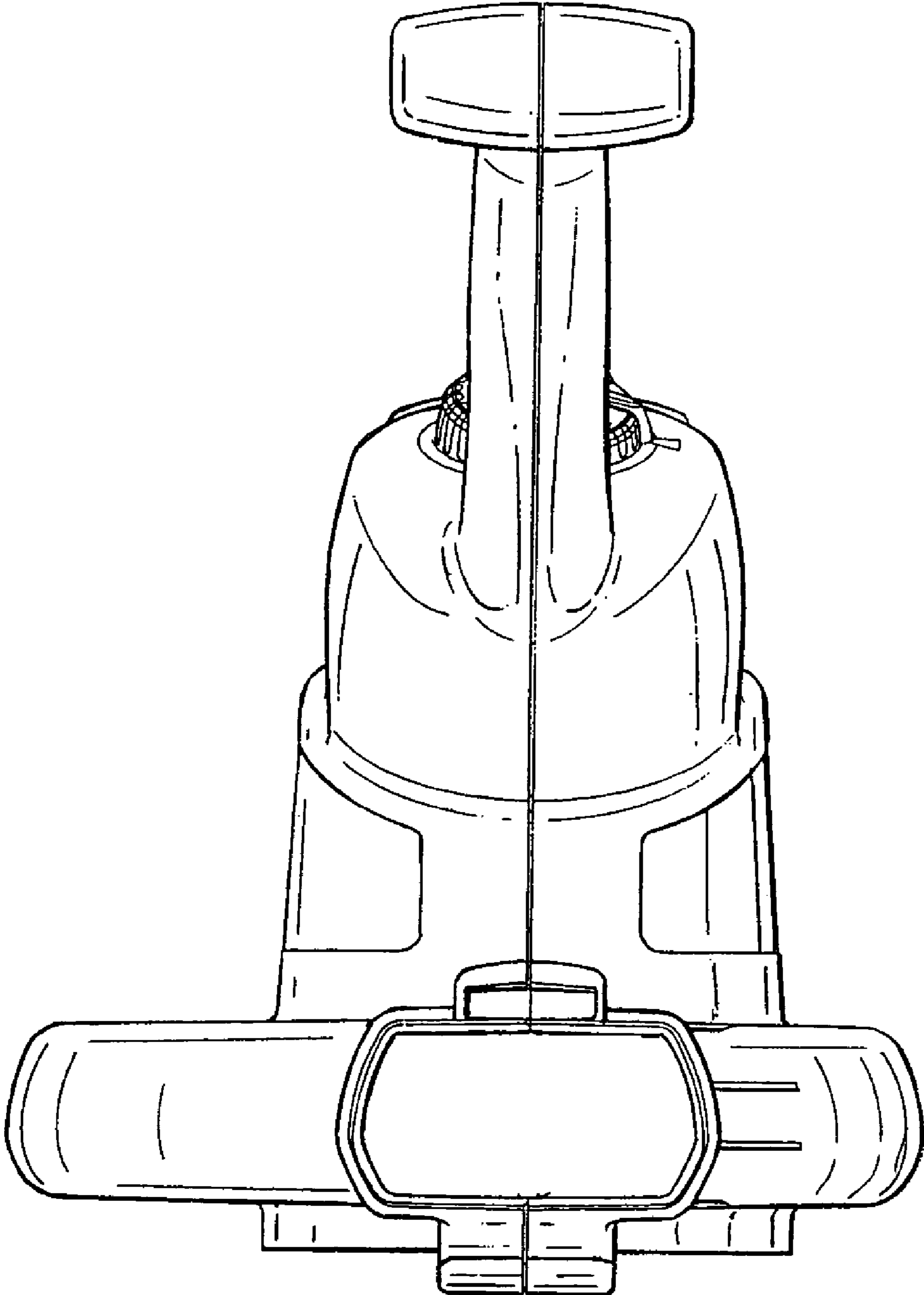


FIG. 2

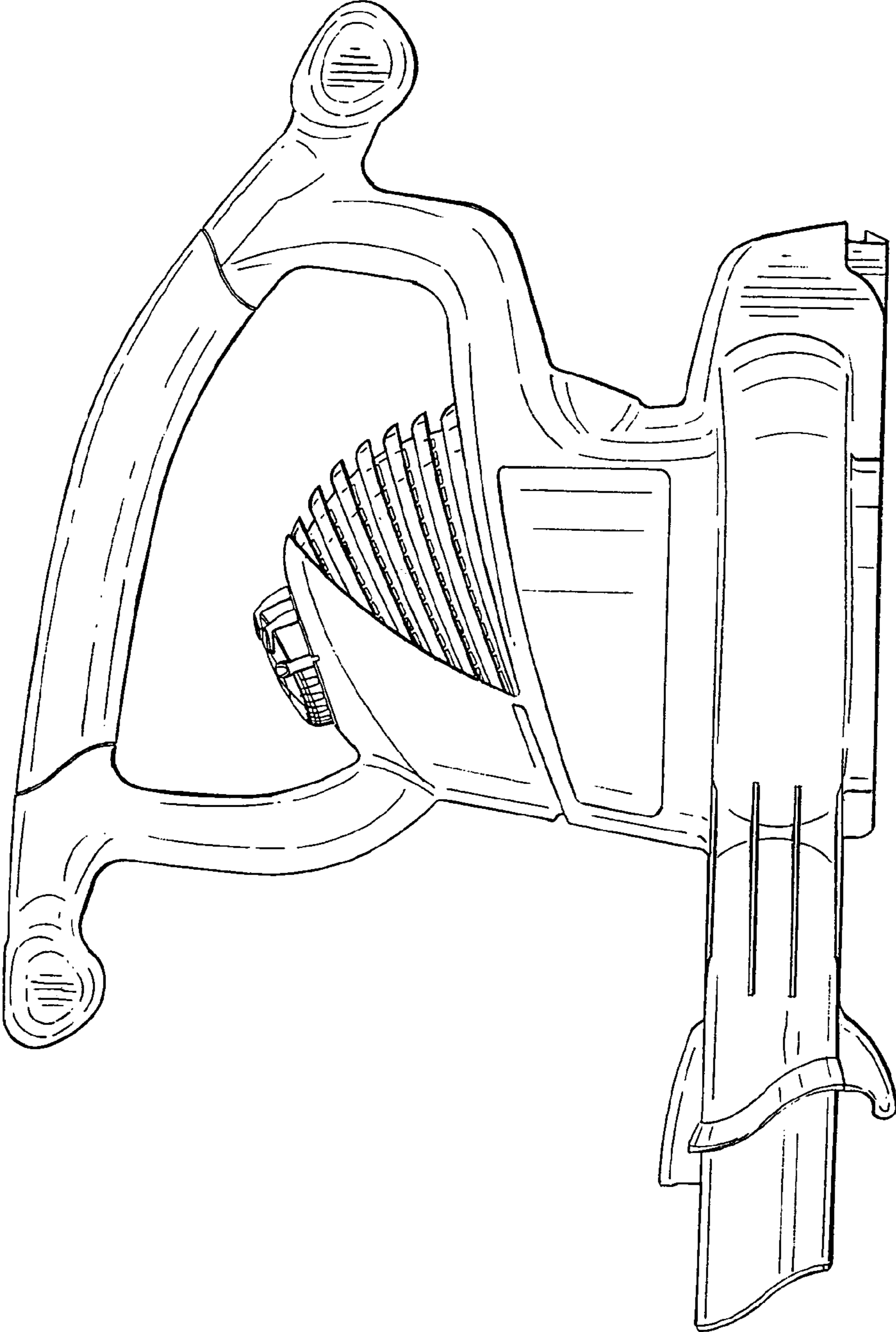


FIG. 3

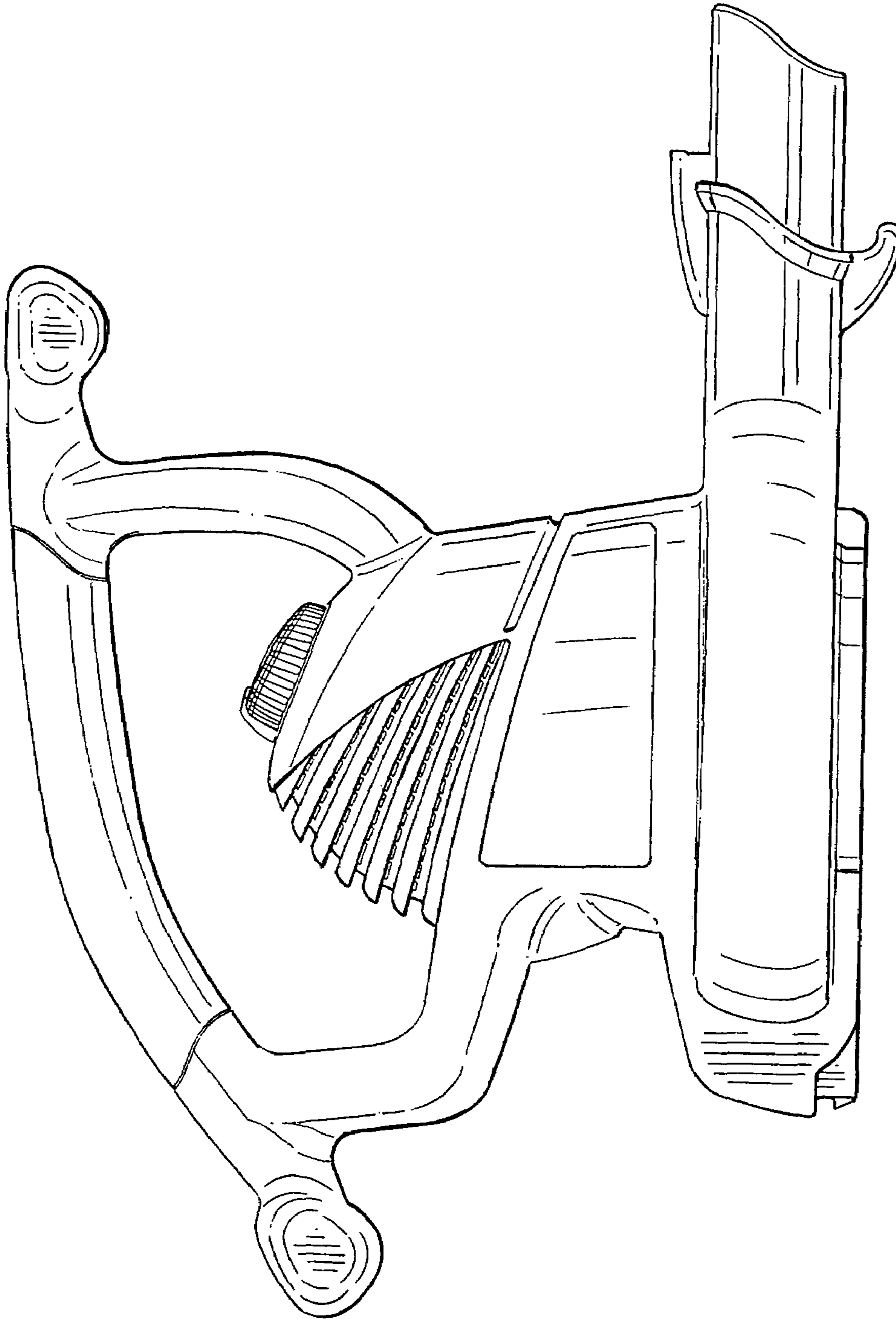


FIG. 4

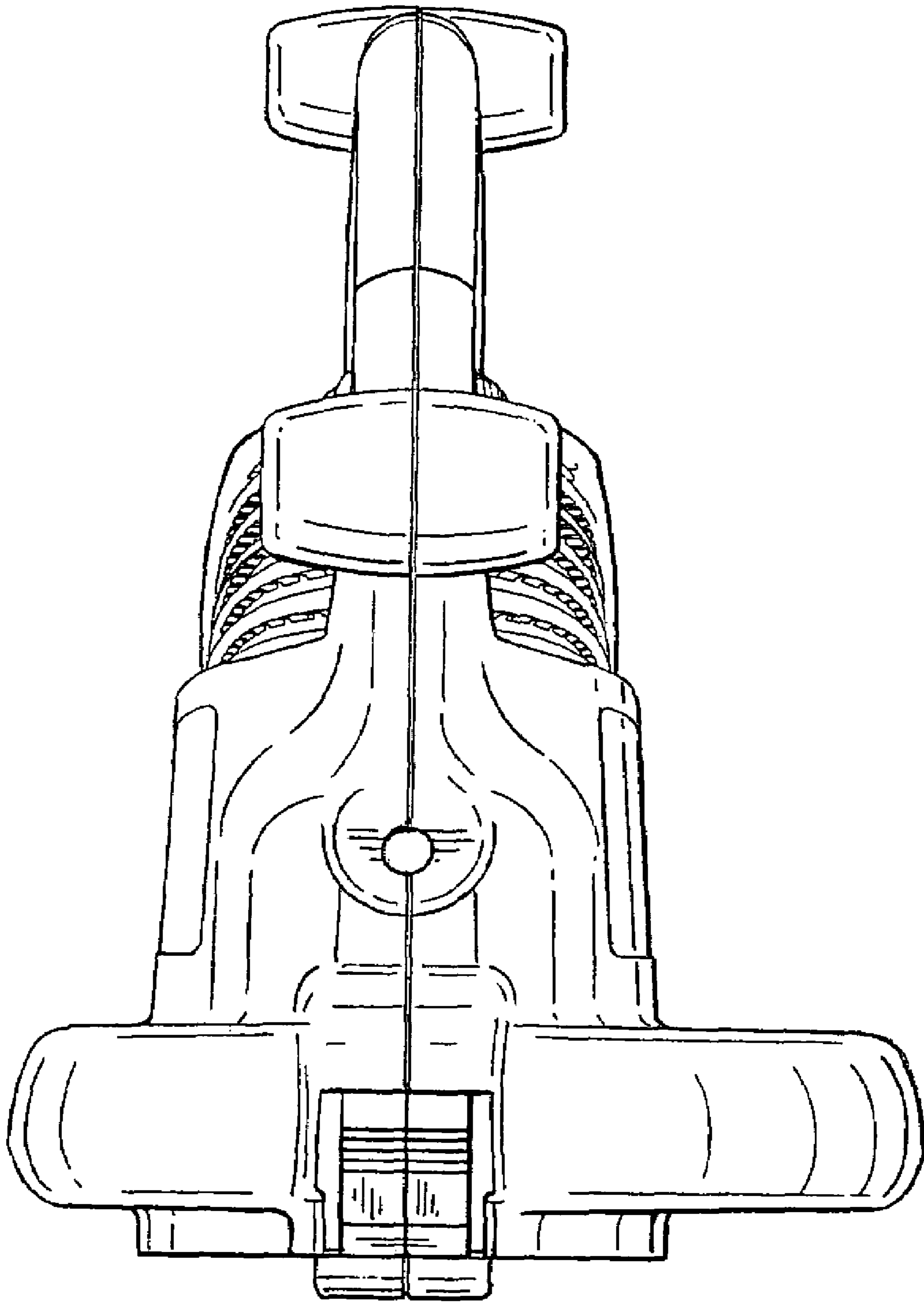


FIG. 5

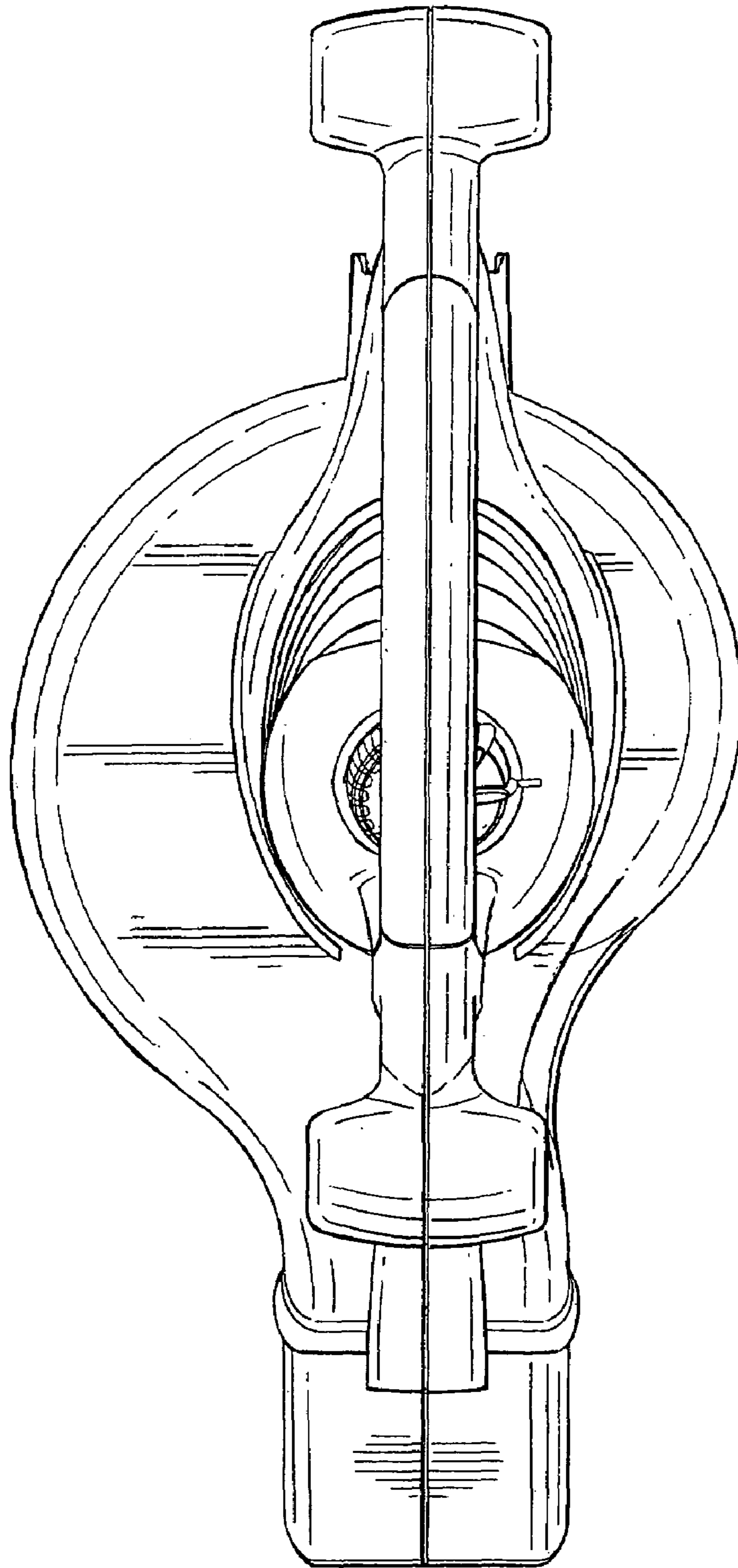


FIG. 6

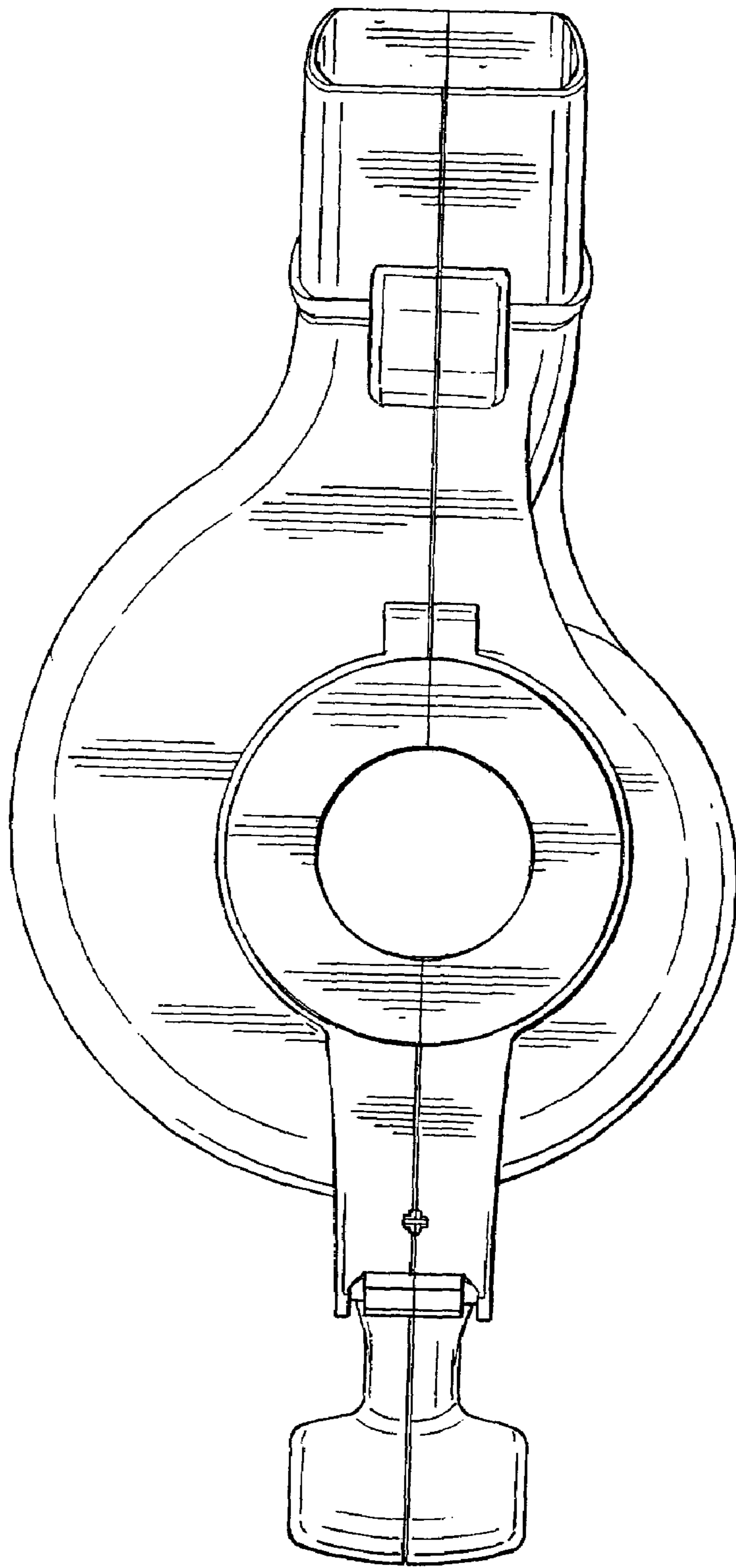


FIG. 7

UNITED STATES PATENT AND TRADEMARK OFFICE
CERTIFICATE OF CORRECTION

PATENT NO. : Des. 556,395 S
APPLICATION NO. : 29/270437
DATED : November 27, 2007
INVENTOR(S) : Martin et al.

Page 1 of 1

It is certified that error appears in the above-identified patent and that said Letters Patent is hereby corrected as shown below:

Title Page, please amend the Description as follows:

FIG. 3 is a ~~[[right]]~~left side elevational view thereof;

FIG. 4 is a ~~[[left]]~~right side elevational view thereof;

Signed and Sealed this

Nineteenth Day of August, 2008

A handwritten signature in black ink that reads "Jon W. Dudas". The signature is written in a cursive style with a large, looped initial "J".

JON W. DUDAS
Director of the United States Patent and Trademark Office