



US00D556392S

(12) **United States Design Patent**  
**Rutherford et al.**

(10) **Patent No.:** **US D556,392 S**

(45) **Date of Patent:** **\*\* Nov. 27, 2007**

(54) **PET TOY**

(75) Inventors: **Ryan Rutherford**, Rutherford, NJ  
(US); **Peter Ragonetti**, Brooklyn, NY  
(US)

(73) Assignee: **JW Pet Company, Inc.**, Teterboro, NJ  
(US)

(\*\*) Term: **14 Years**

(21) Appl. No.: **29/256,103**

(22) Filed: **Mar. 15, 2006**

(51) **LOC (8) Cl.** ..... **30-99**

(52) **U.S. Cl.** ..... **D30/160**

(58) **Field of Classification Search** ..... D30/160,  
D30/108, 112, 118-119; D21/498, 707, 713-714,  
D21/405, 484, 486, 611, 617, 621, 649; 119/702-703,  
119/706-711; 273/118 D, 153 R, 288; 434/278;  
446/46, 108, 125, 369, 419; 473/571; D24/193-195;  
606/235

See application file for complete search history.

(56) **References Cited**

**U.S. PATENT DOCUMENTS**

4,334,382	A *	6/1982	Chase et al. ....	446/490
4,655,723	A *	4/1987	Marason, Jr. et al. ....	446/241
D308,082	S *	5/1990	Raiffe .....	D21/408
D326,120	S *	5/1992	Michaelson et al. ....	D21/479
D407,869	S *	4/1999	Wang .....	D30/160

D421,126	S *	2/2000	Nowak .....	D24/194
D469,484	S *	1/2003	Dawson .....	D21/662
D475,487	S *	6/2003	DeAngelis .....	D30/160
6,837,037	B2 *	1/2005	Willinger .....	59/85
D505,524	S *	5/2005	DeAngelis .....	D30/160
D508,592	S *	8/2005	Winkler .....	D30/160
D523,593	S *	6/2006	Wang .....	D30/160
2003/0181948	A1 *	9/2003	Dunn et al. ....	606/235
2006/0278174	A1 *	12/2006	Willinger .....	119/708

\* cited by examiner

*Primary Examiner*—Cathy Anne MacCormac

(74) *Attorney, Agent, or Firm*—Katten Muchin Rosenman  
LLP

(57) **CLAIM**

The ornamental design for a pet toy, as shown and described.

**DESCRIPTION**

FIG. 1 is a perspective view of our pet toy showing our new design;

FIG. 2 is a front view thereof;

FIG. 3 is a rear view thereof;

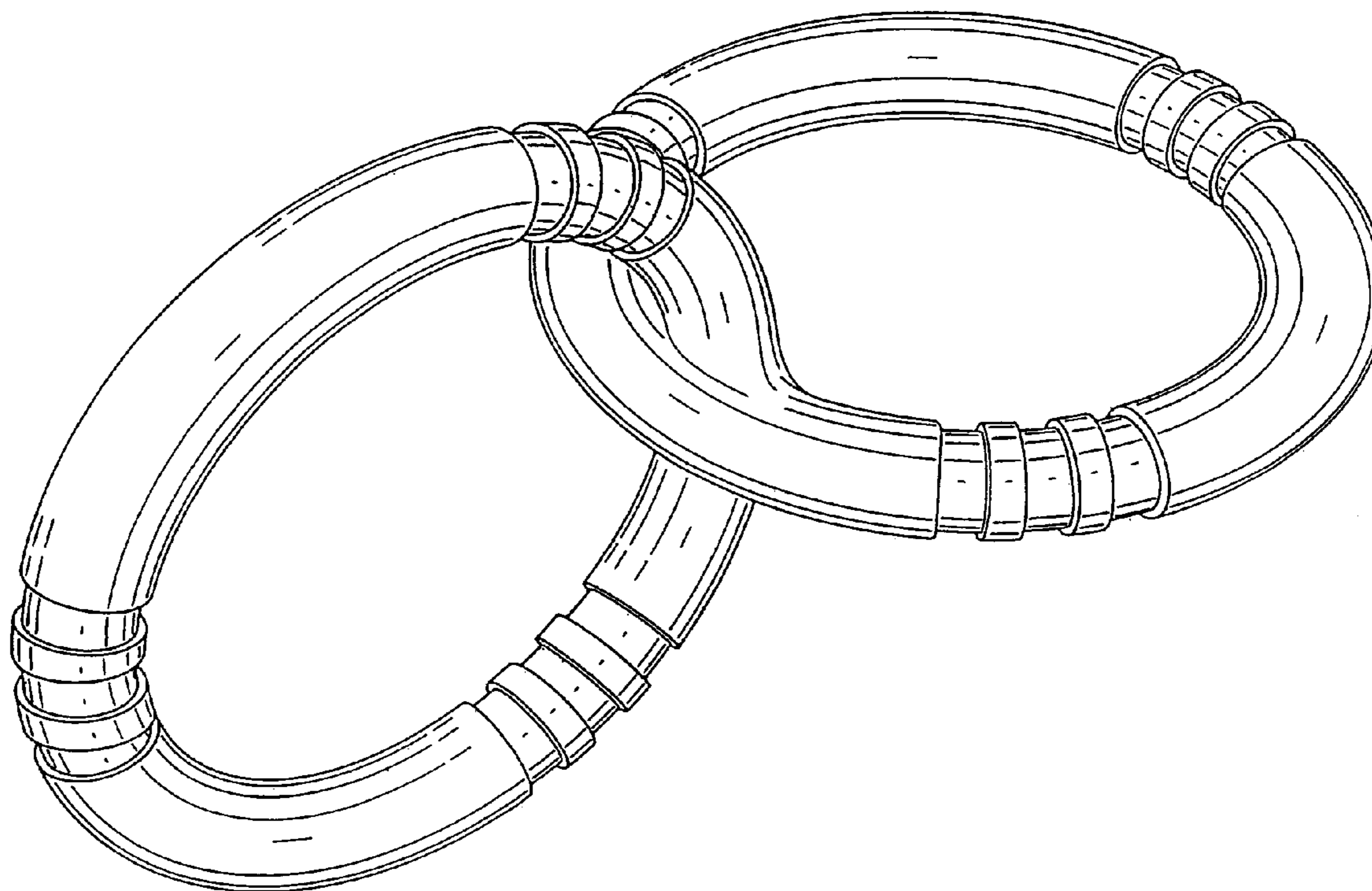
FIG. 4 is a left side view thereof;

FIG. 5 is a right side view thereof;

FIG. 6 is a top view thereof; and,

FIG. 7 is a bottom view thereof.

**1 Claim, 7 Drawing Sheets**



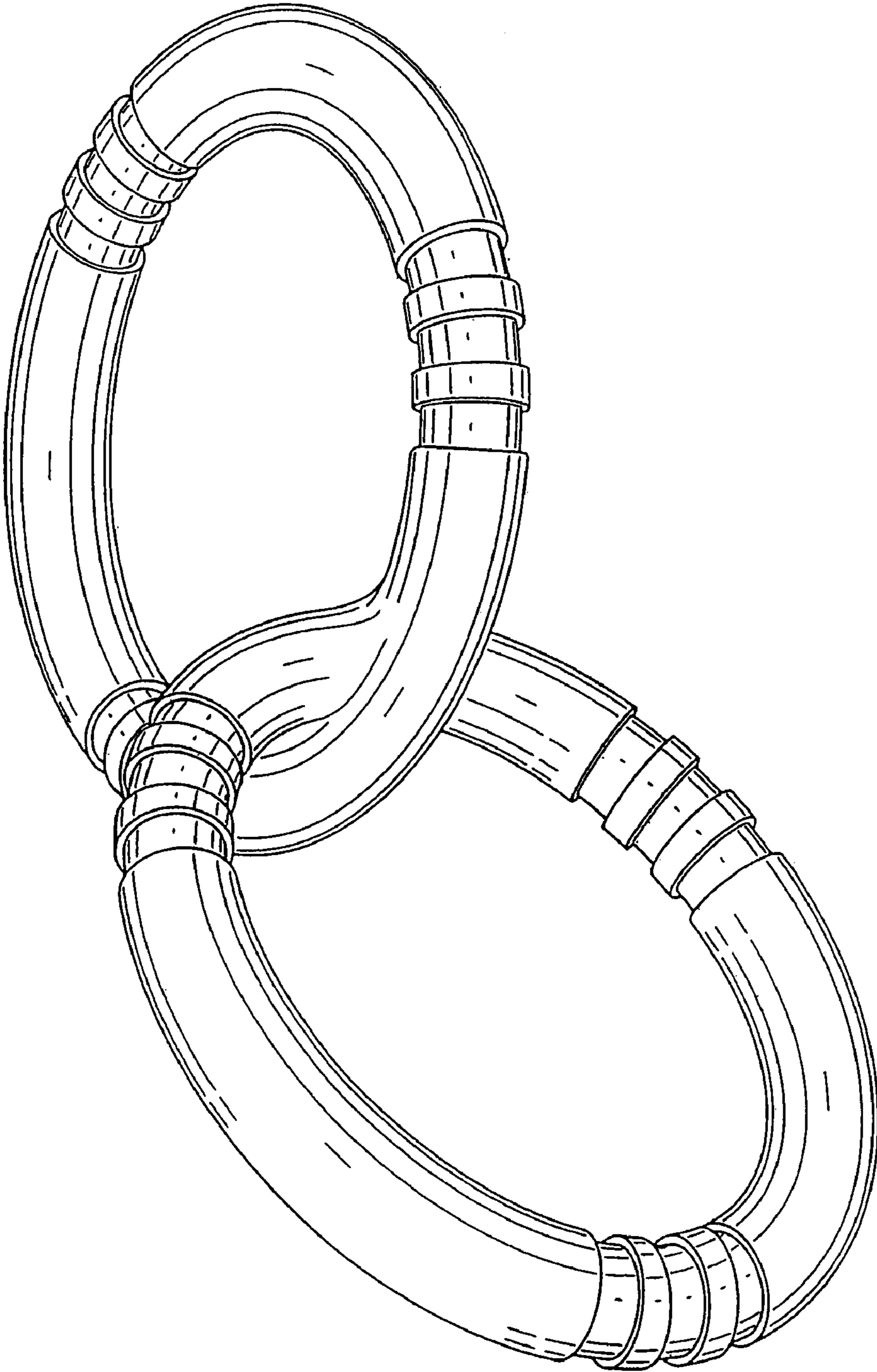


FIG. 1

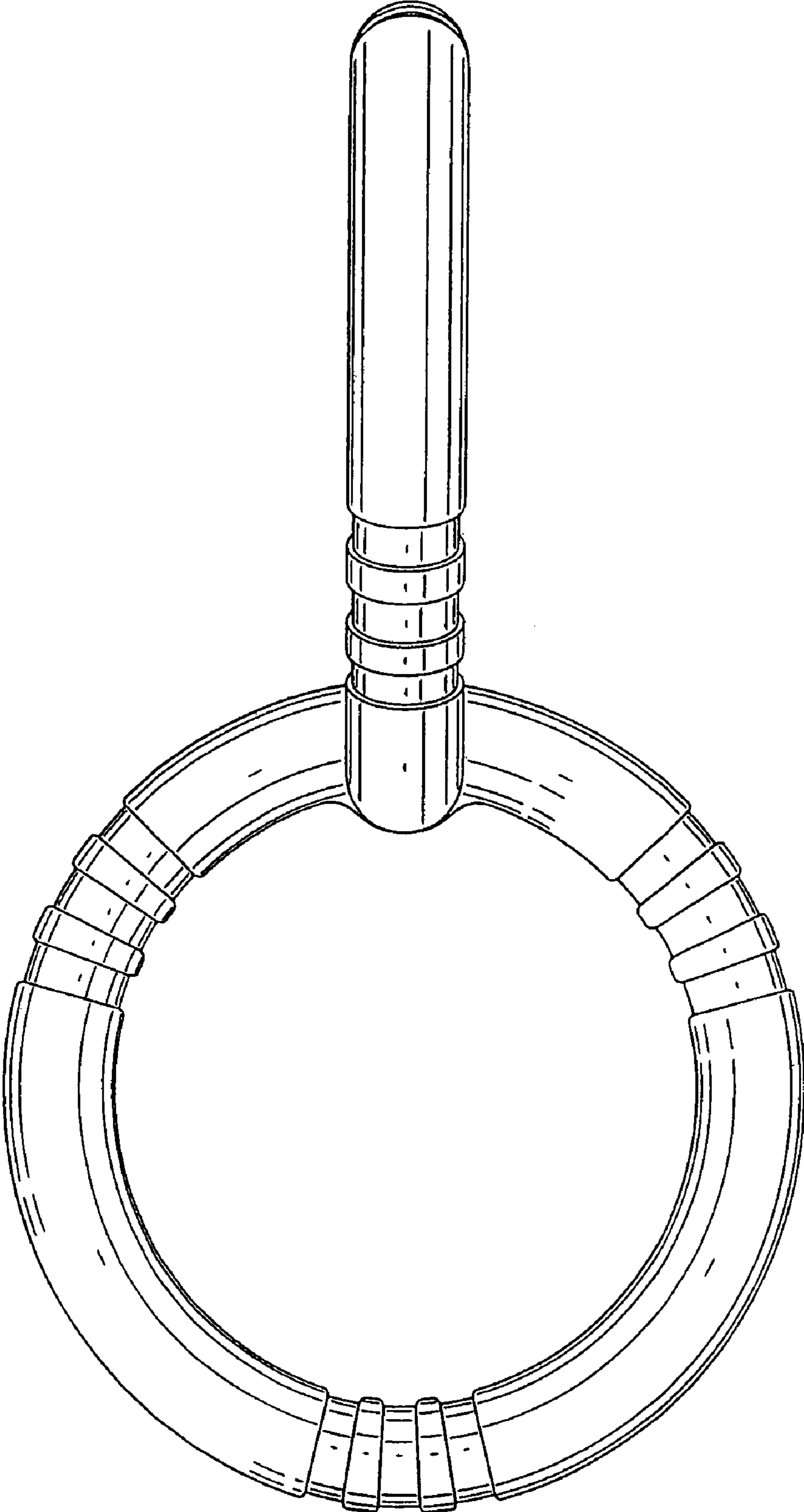


FIG. 2

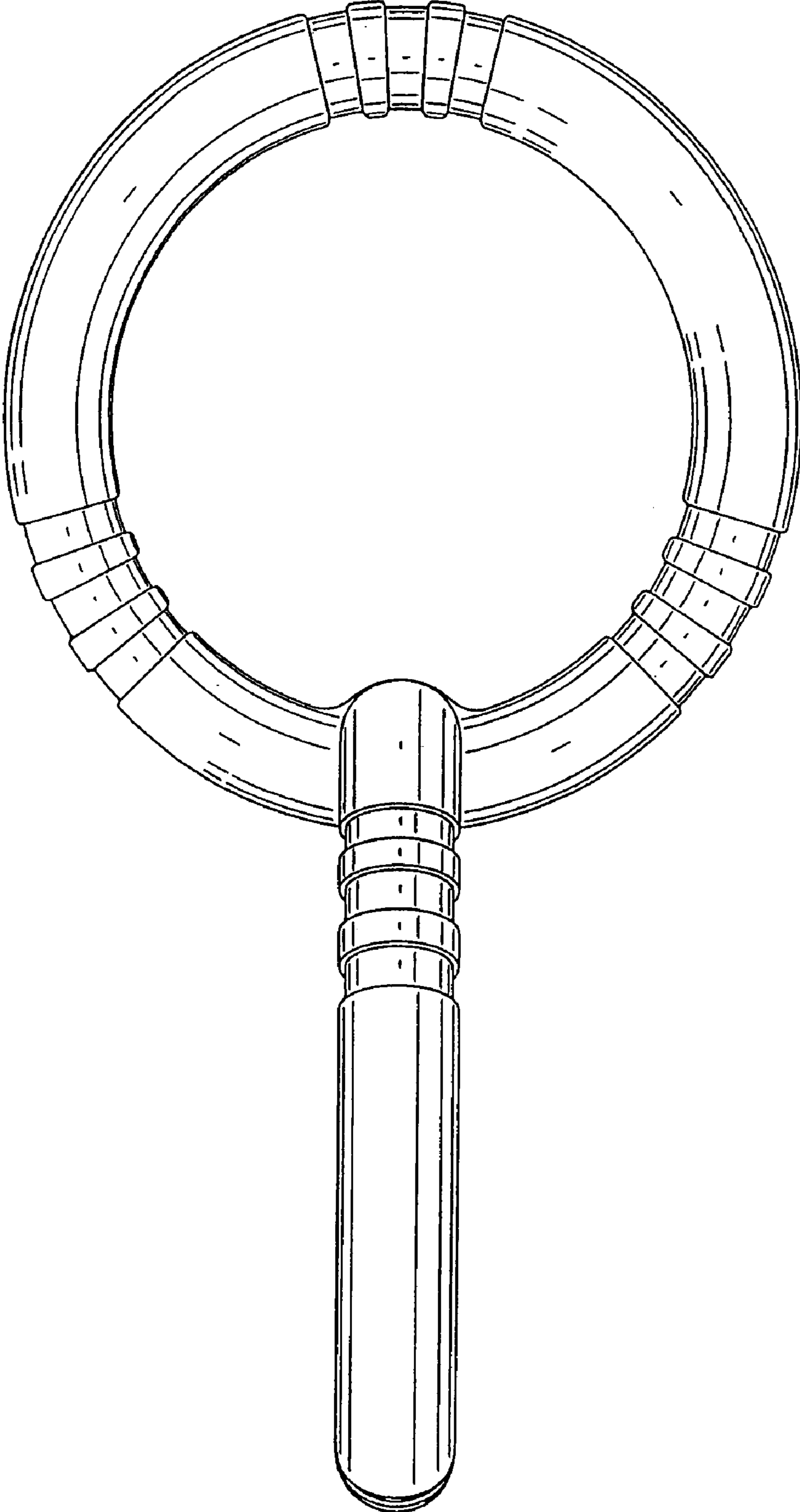


FIG. 3

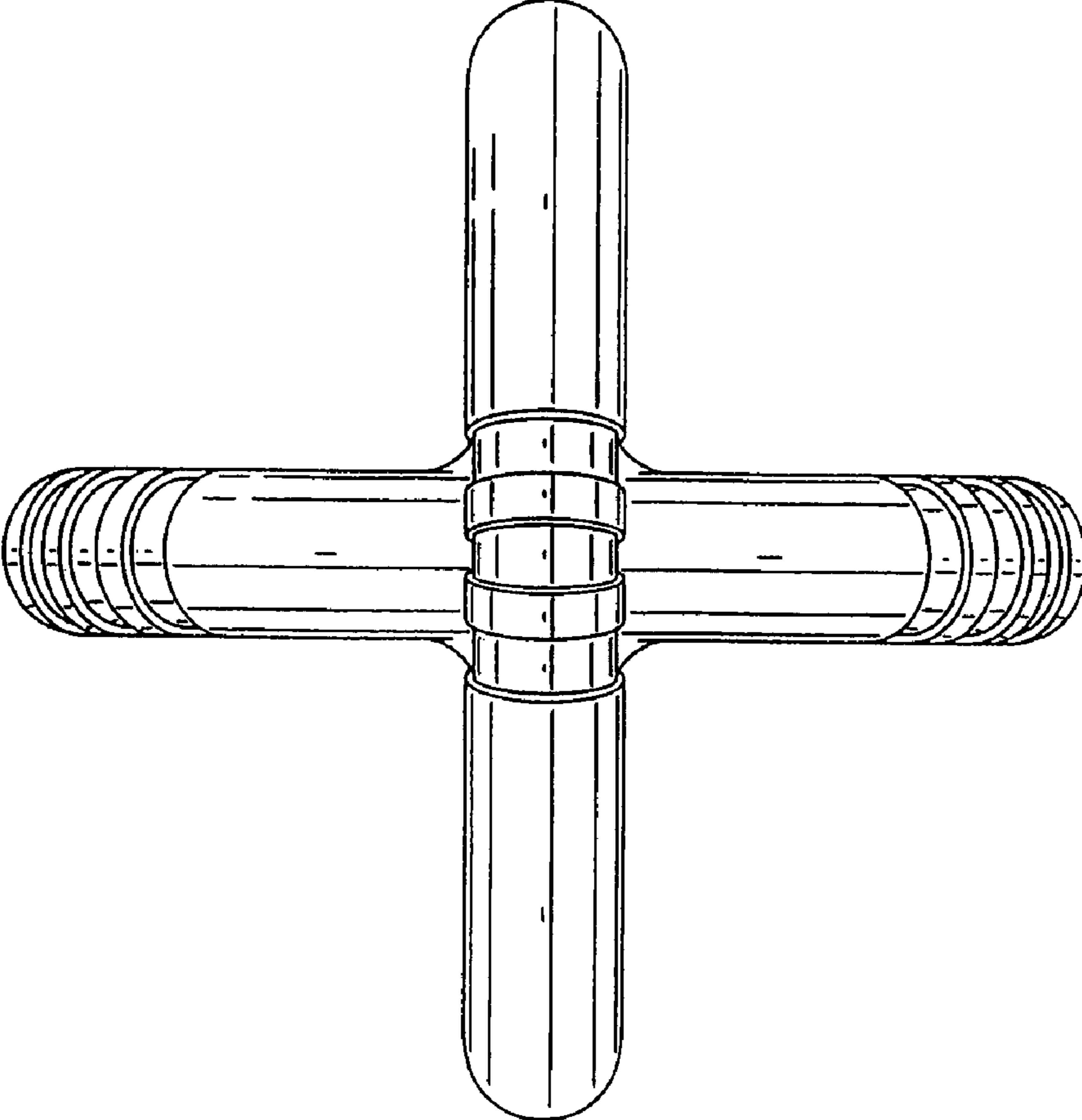


FIG. 4

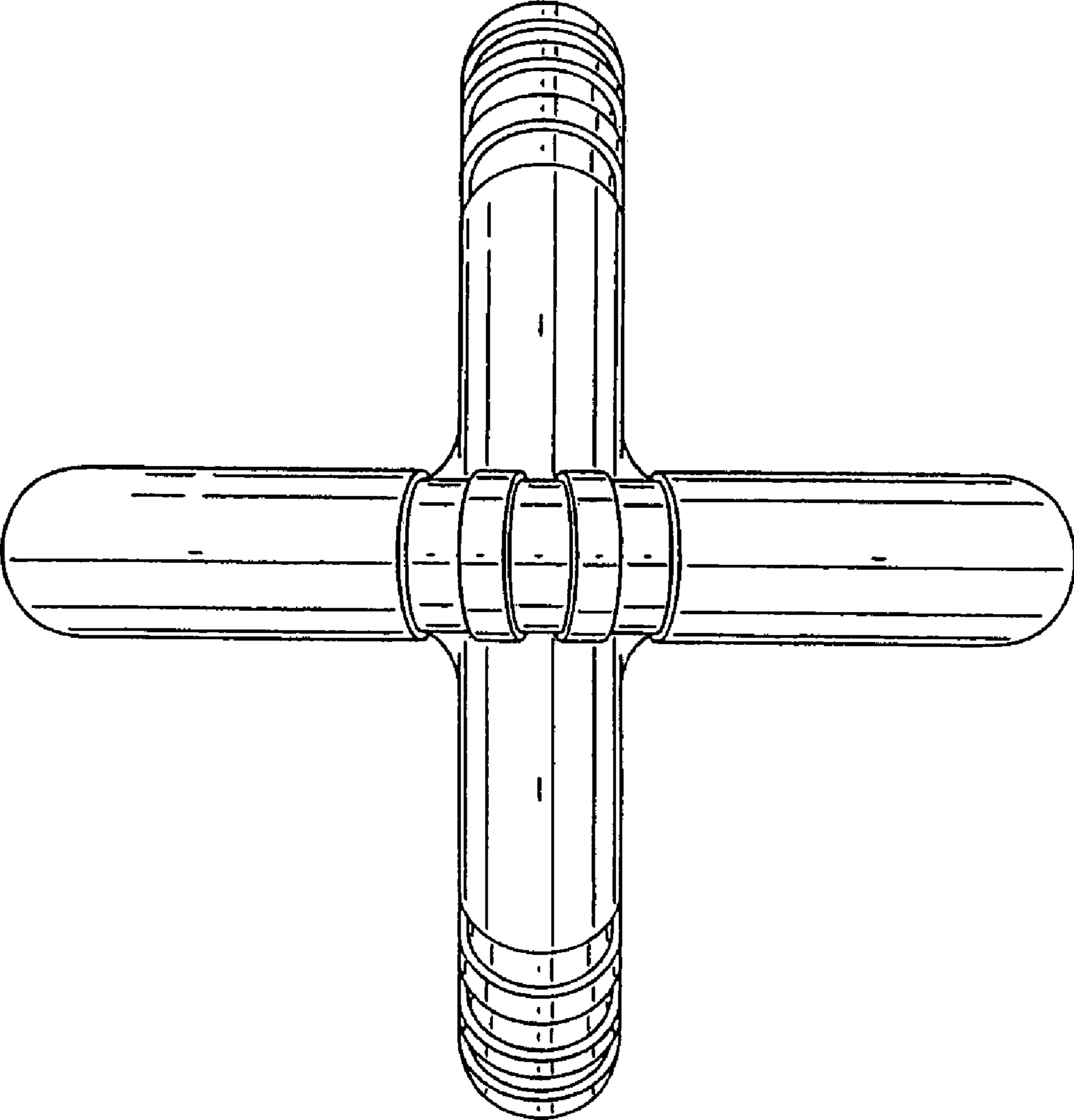


FIG. 5

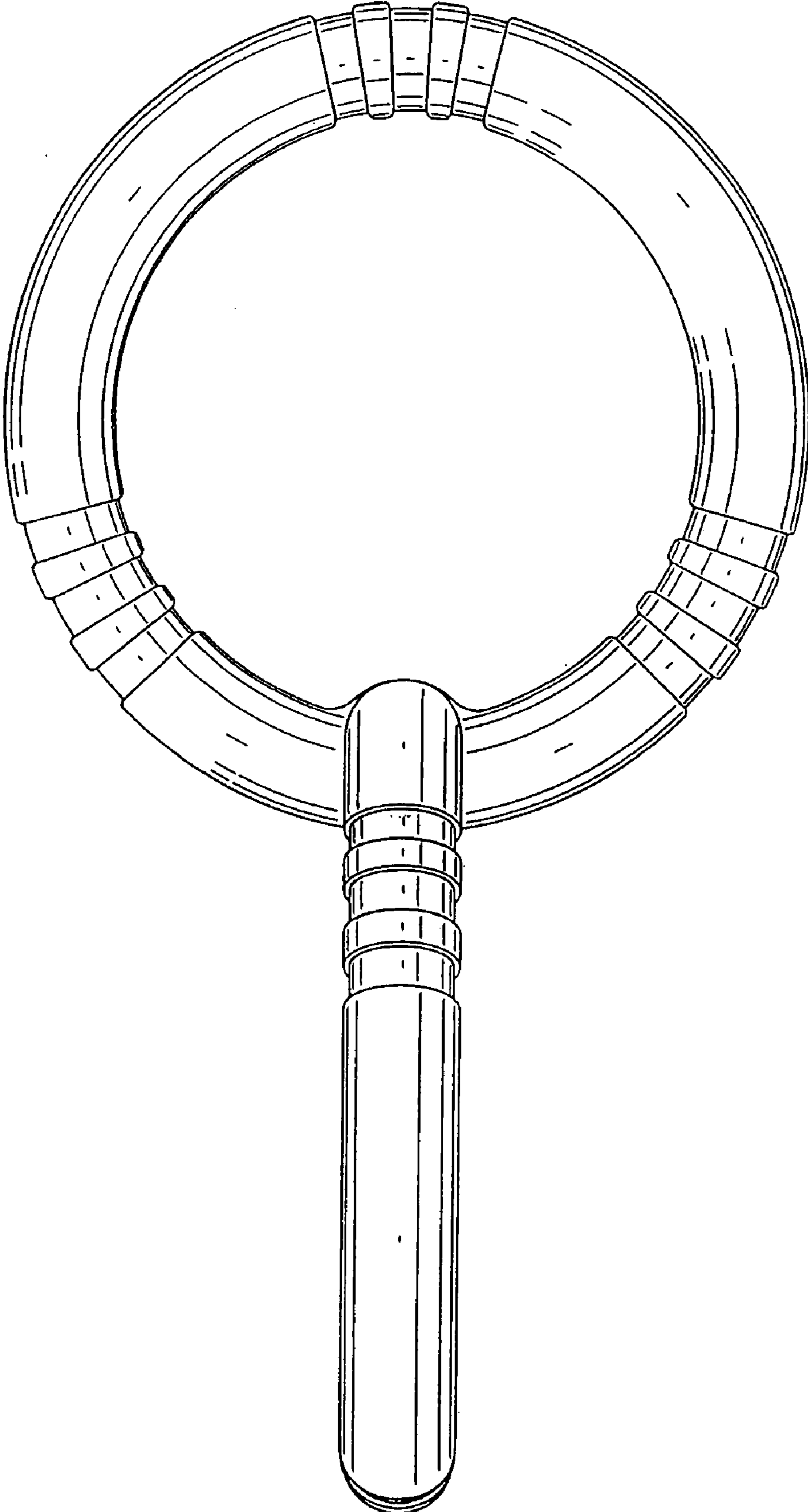


FIG. 6

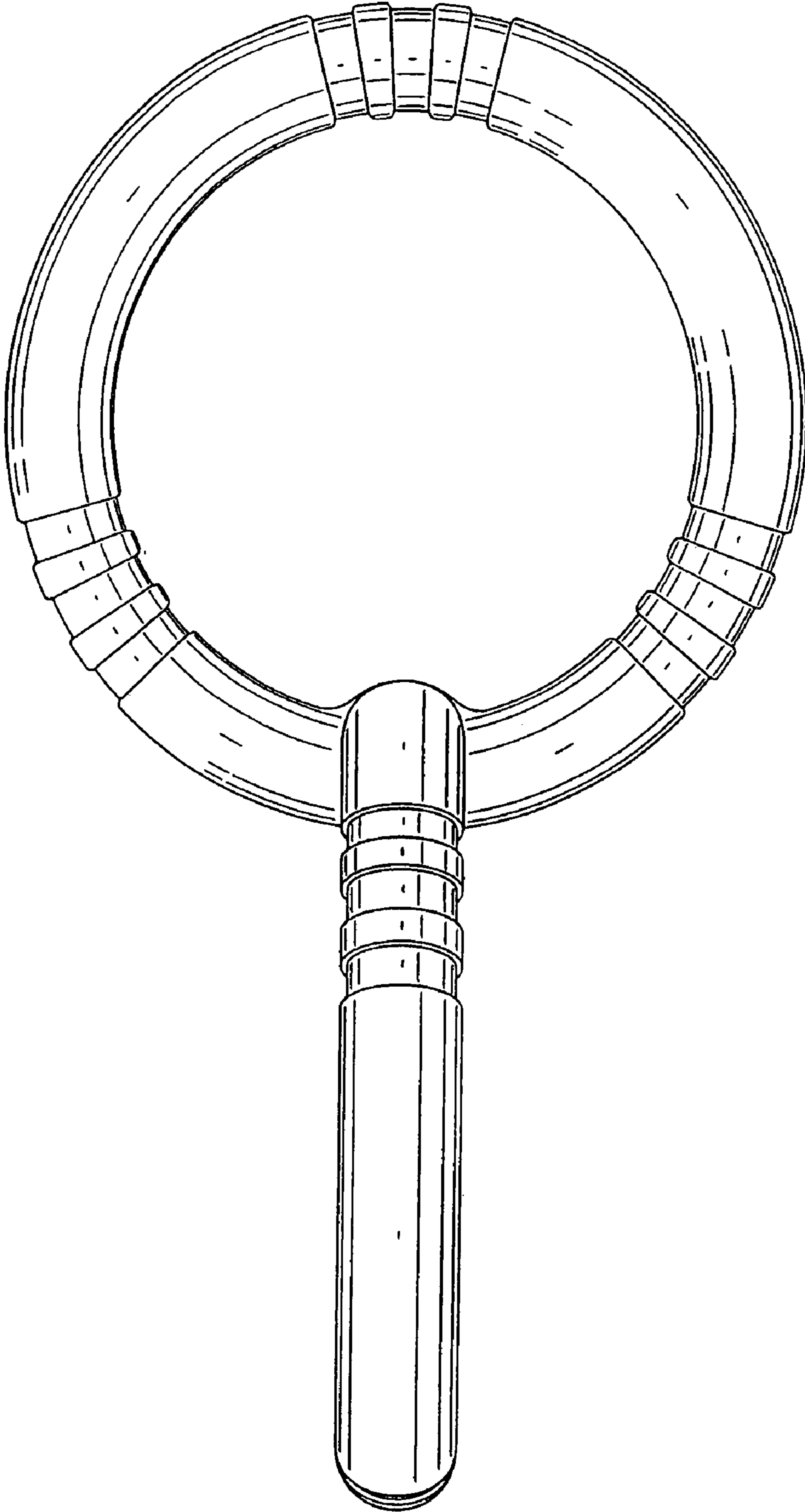


FIG. 7